



US00D817408S

(12) **United States Design Patent**
Peng et al.

(10) **Patent No.:** **US D817,408 S**

(45) **Date of Patent:** **** May 8, 2018**

(54) **VIRTUAL REALITY GLASSES HOLDER**

(71) Applicant: **Zihao Peng**, Shenzhen, Guangdong (CN)

(72) Inventors: **Zihao Peng**, Guangdong (CN);
Tianming Li, Guangdong (CN)

(73) Assignee: **Shenzhen Jinhe Global Electronics Co., Ltd.**, Xixiang Sub-dist., Baoan Dist., Shenzhen, Guangdong (CN)

(**) Term: **15 Years**

(21) Appl. No.: **29/590,139**

(22) Filed: **Jan. 6, 2017**

(51) **LOC (11) Cl.** **21-01**

(52) **U.S. Cl.**
USPC **D21/333**; D21/324; D14/496

(58) **Field of Classification Search**
USPC D21/324, 328, 333; D14/356, 388, 389, D14/485, 496; 349/1, 11, 13; 352/242, 352/243; 359/1, 13, 9, 15, 35, 385, 390, 359/831, 838; 273/149 B; 463/1, 29-35, 463/46, 47
CPC G03B 15/00; G03B 15/02; G03B 21/54
See application file for complete search history.

(56) **References Cited**

U.S. PATENT DOCUMENTS

5,180,222 A * 1/1993 Robinson A47F 3/001
312/223.5
6,803,884 B1 * 10/2004 Ohzawa G02B 27/0172
345/1.1

D526,025 S * 8/2006 Watanabe D21/324
D526,026 S * 8/2006 Watanabe D21/324
D527,053 S * 8/2006 Watanabe D21/324
8,016,670 B2 * 9/2011 LeMay G07F 17/32
273/138.1
8,123,622 B1 * 2/2012 Young A63F 13/98
463/36
D678,954 S * 3/2013 Young A63F 13/98
D21/328
9,147,111 B2 * 9/2015 Fleck G06K 9/00684
D752,688 S * 3/2016 Jensen D21/328
9,511,291 B2 * 12/2016 Lyons G07F 17/3211
D800,118 S * 10/2017 Xing D14/372

* cited by examiner

Primary Examiner — Prabhakar G Deshmukh

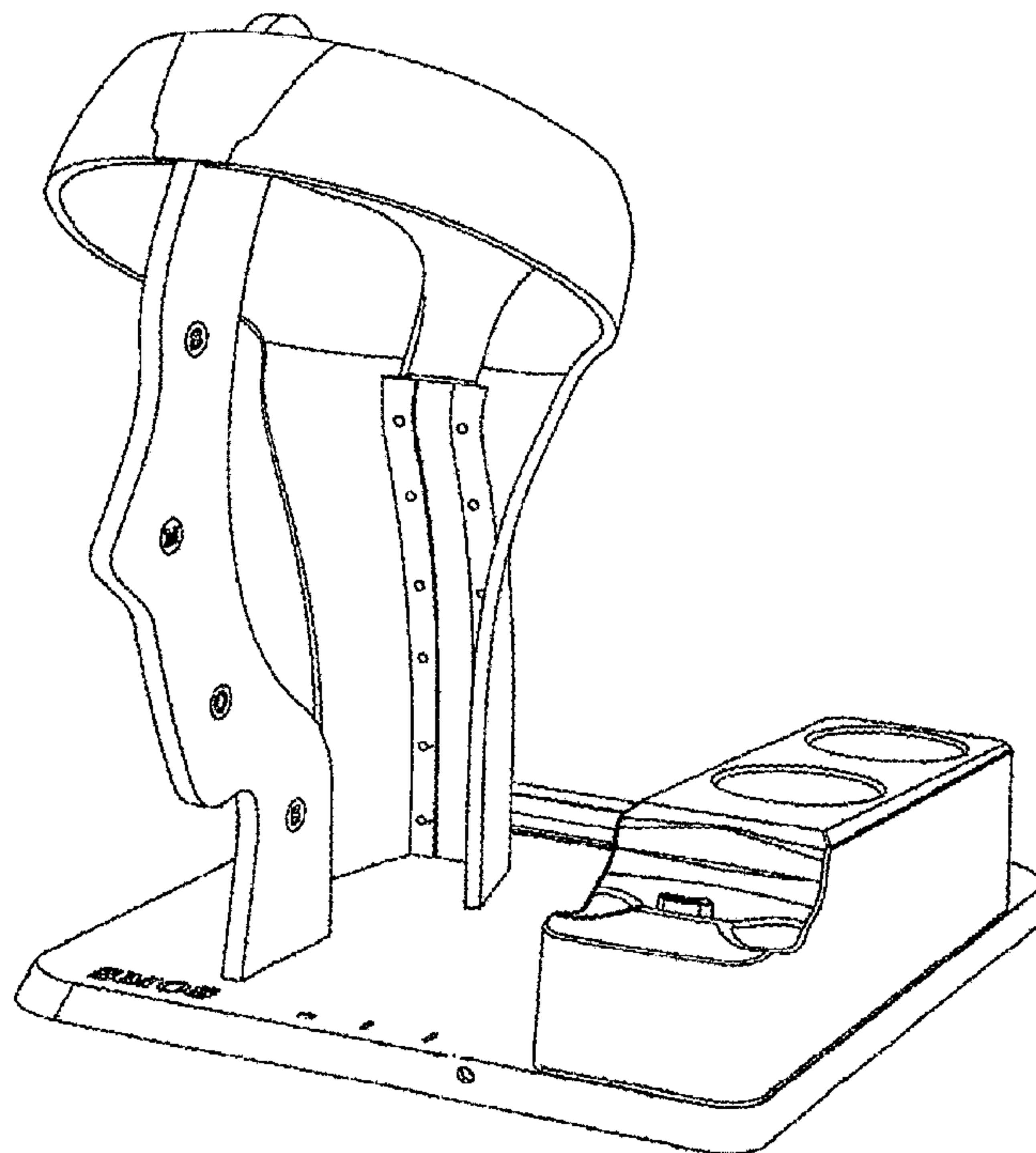
(57) **CLAIM**

The ornamental design for a virtual reality glasses holder, as shown and described.

DESCRIPTION

FIG. 1 is a front elevational view of a virtual reality glasses holder showing our new design;
FIG. 2 is a rear elevational view thereof;
FIG. 3 is a left side elevational view thereof;
FIG. 4 is a right side elevational view thereof;
FIG. 5 is a top plan view thereof;
FIG. 6 is a bottom plan view thereof; and,
FIG. 7 is a perspective view thereof.
The broken lines illustrate unclaimed portions and form no part of the claimed design.

1 Claim, 7 Drawing Sheets



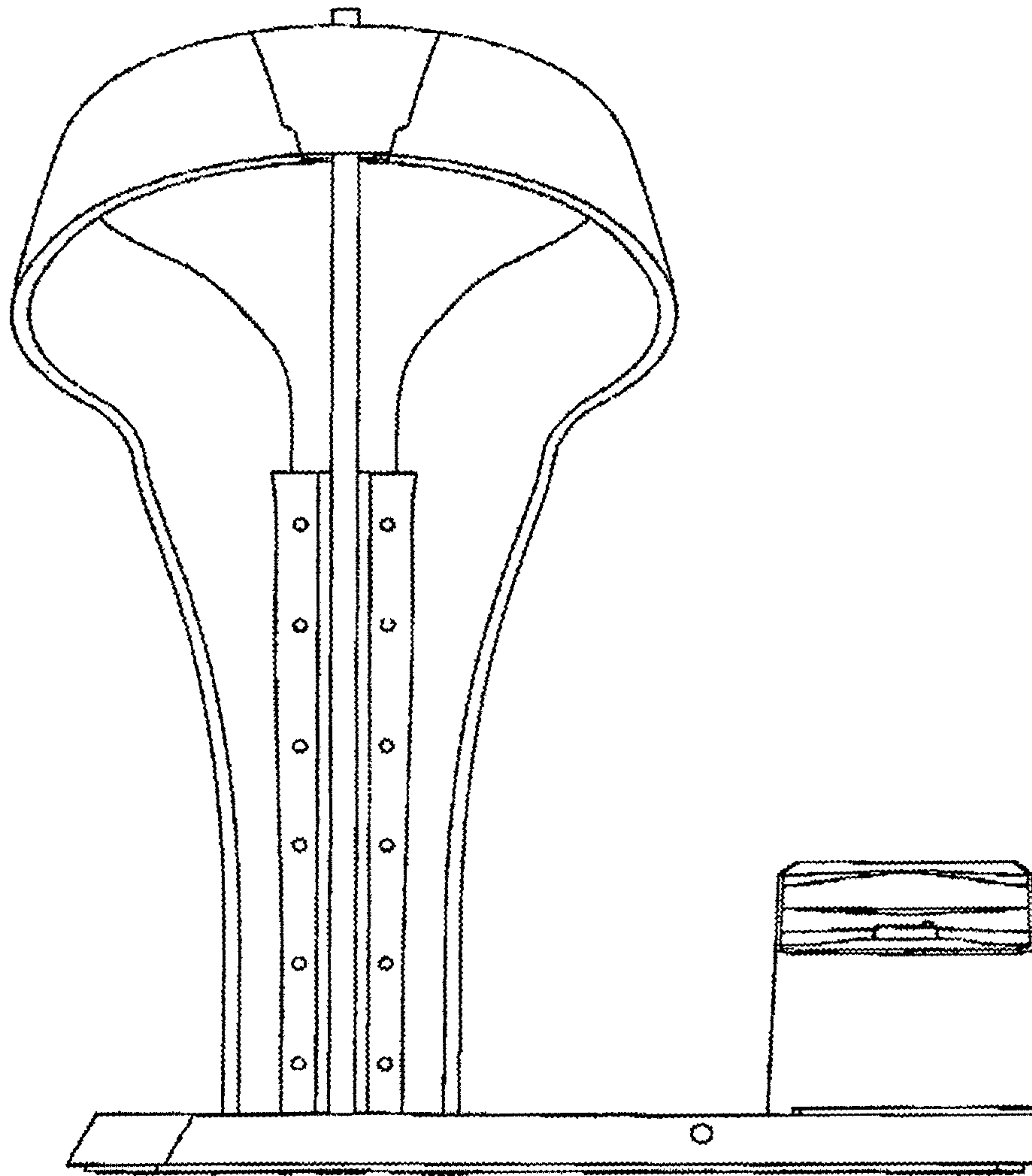


FIG.1

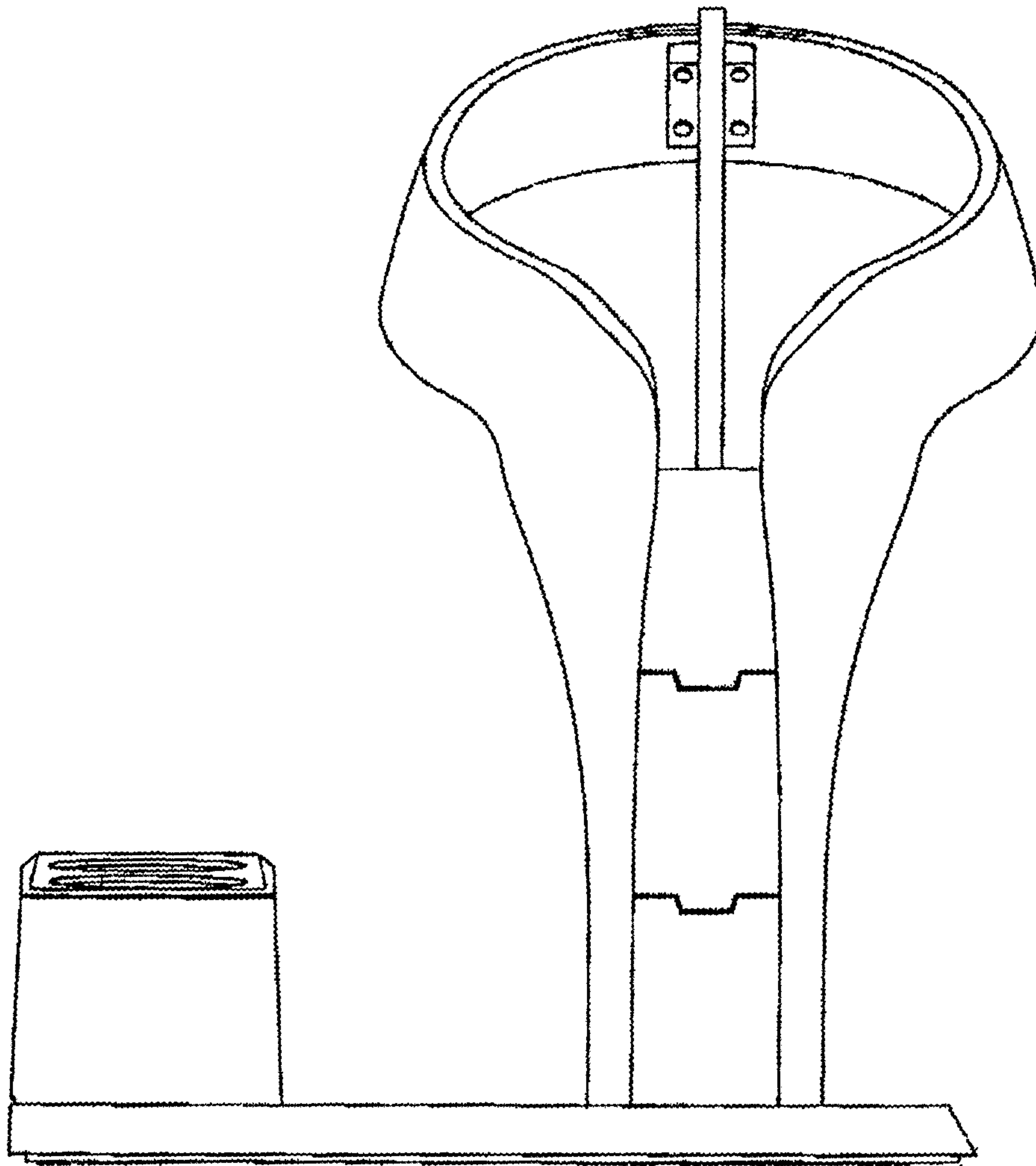


FIG.2

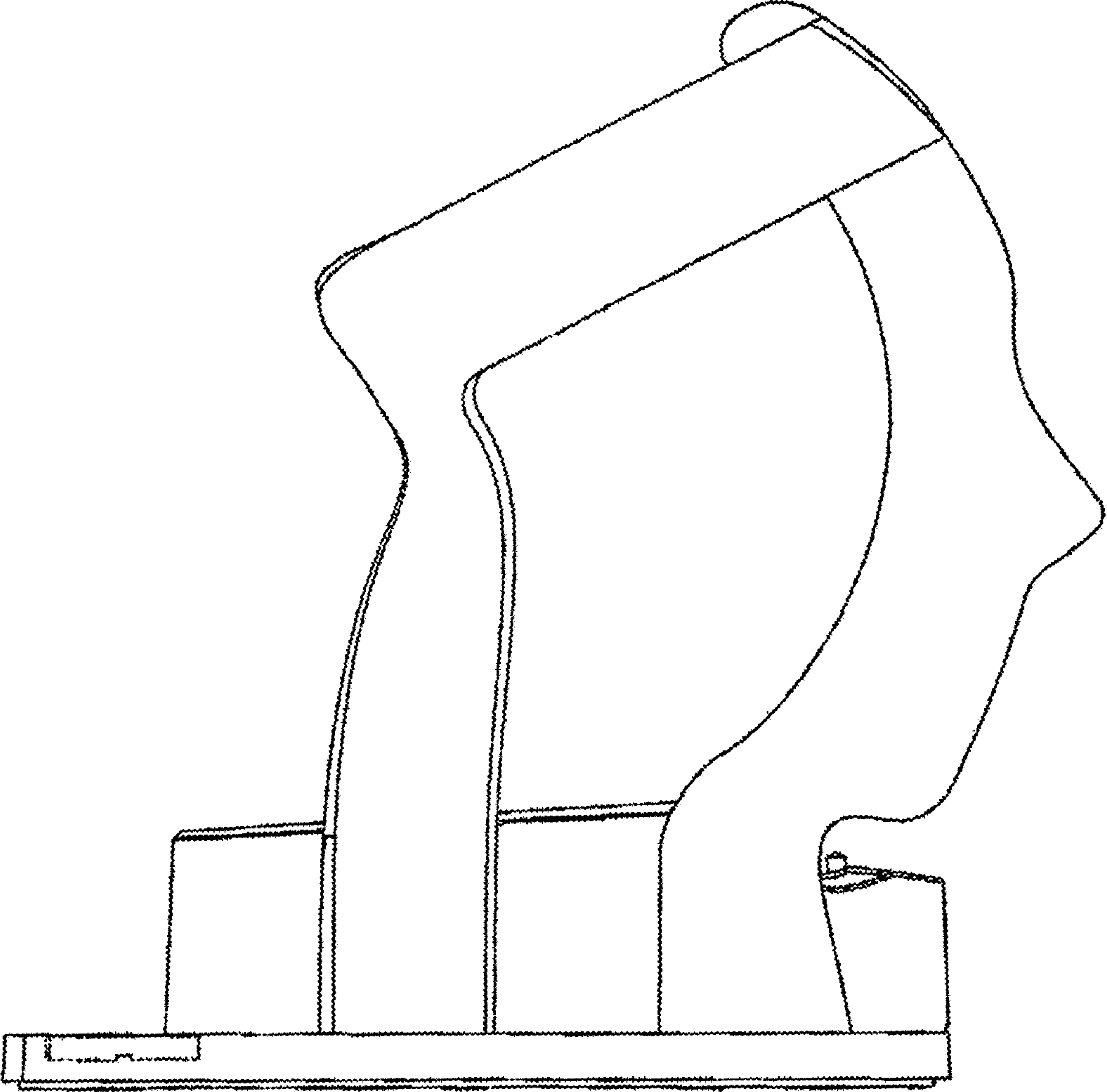


FIG.3

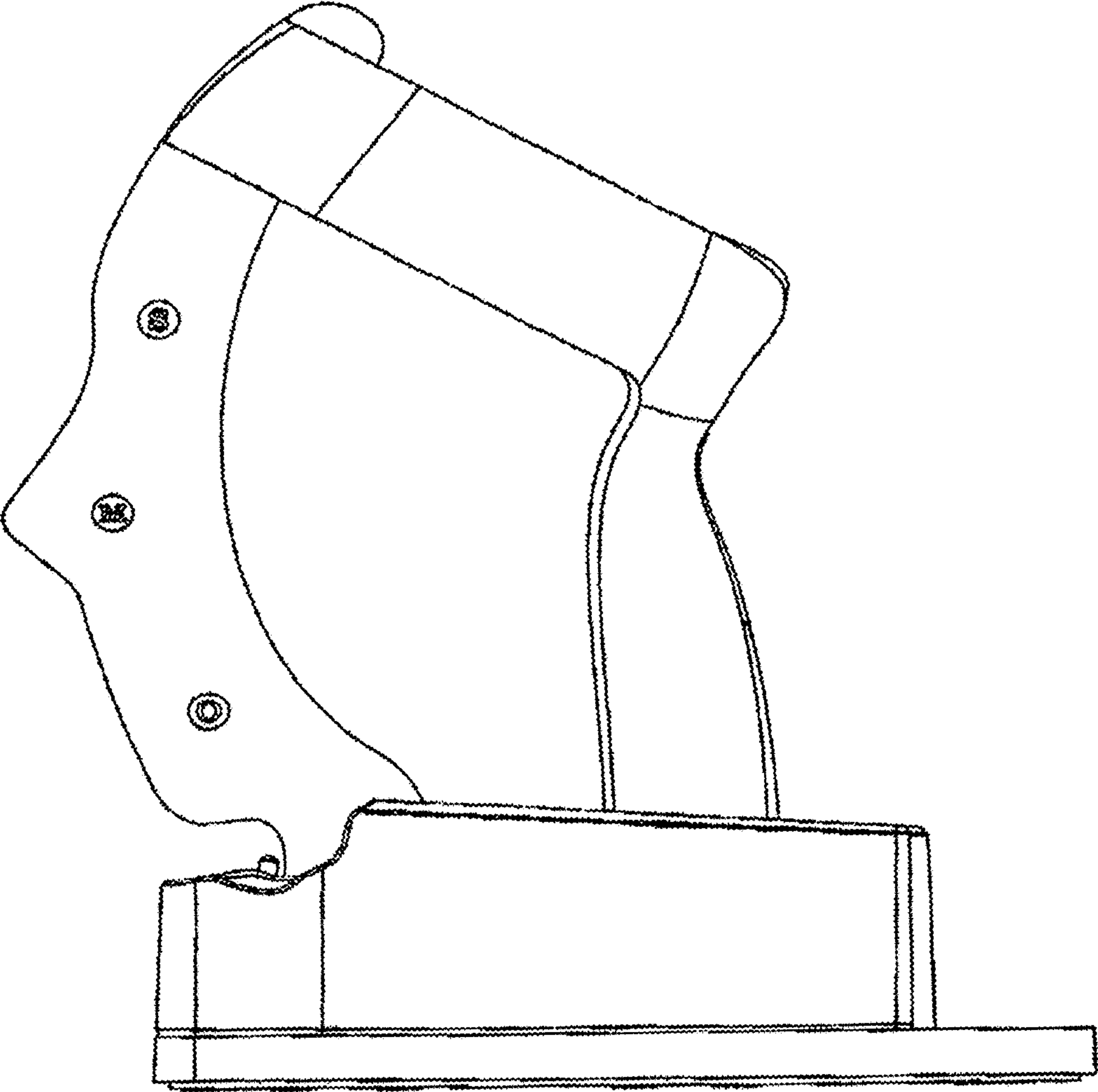


FIG.4

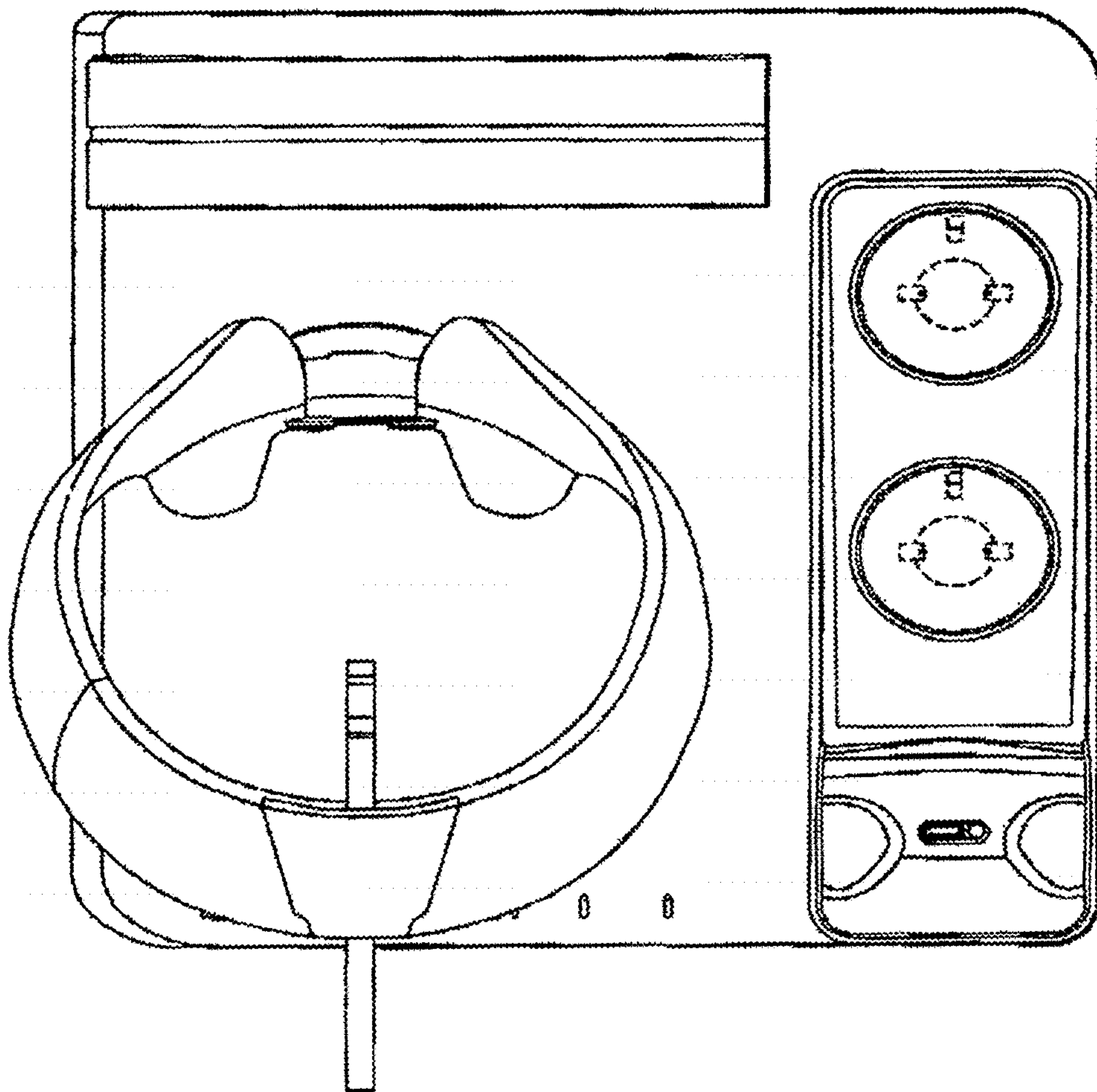


FIG.5

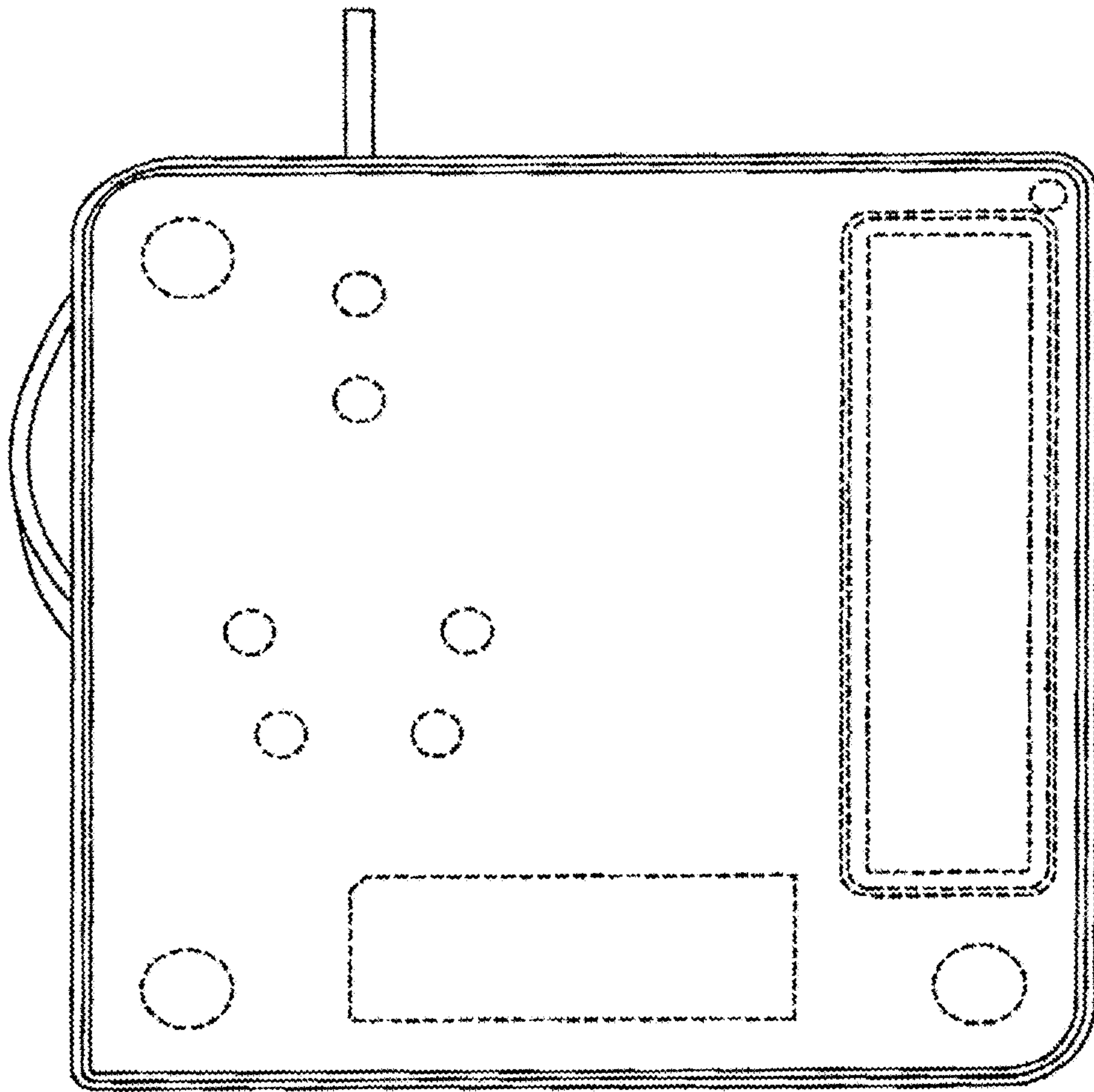


FIG. 6

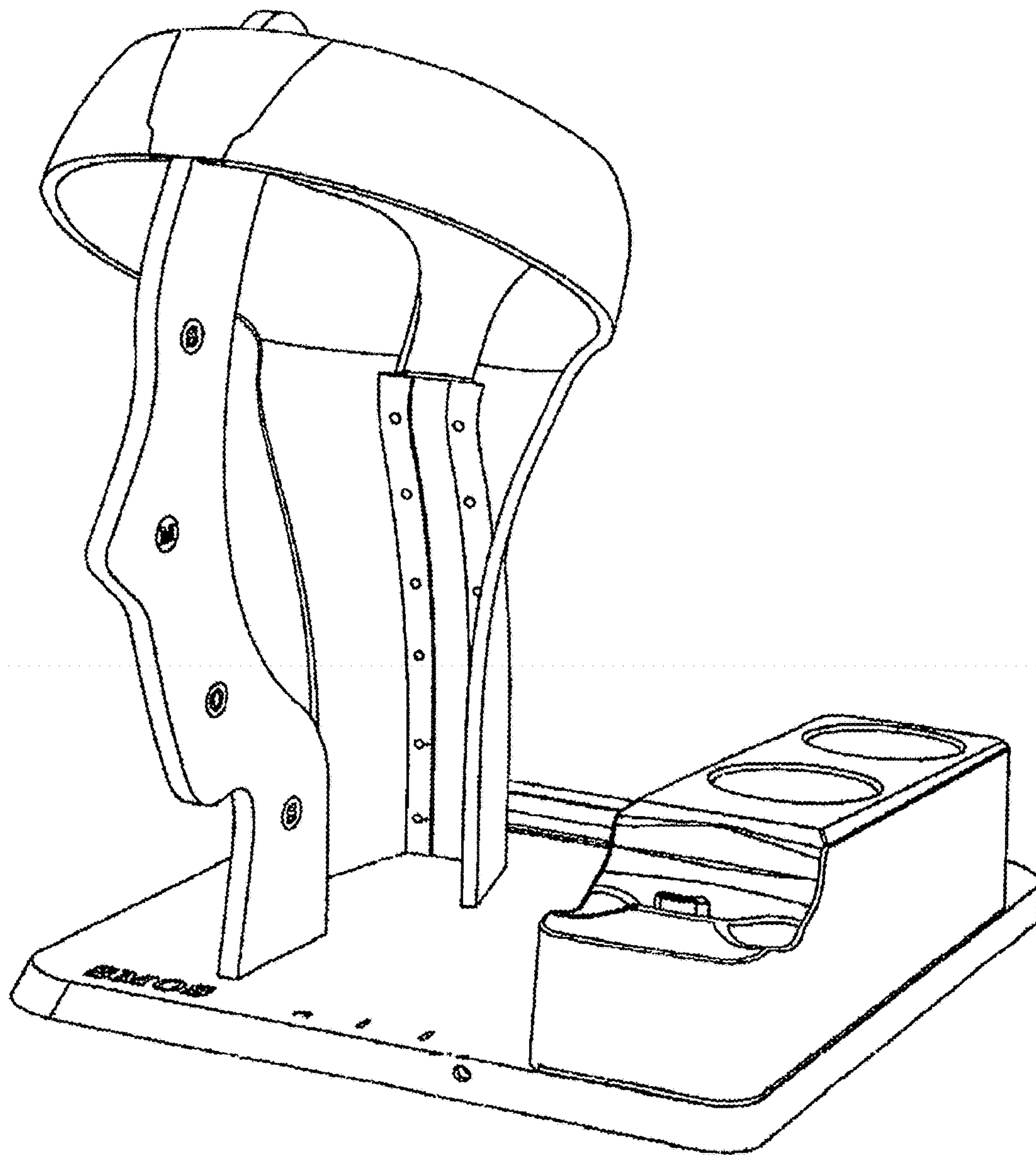


FIG. 7