



US00D817407S

(12) **United States Design Patent**
Melo

(10) **Patent No.:** **US D817,407 S**

(45) **Date of Patent:** **** May 8, 2018**

(54) **EDUCATIONAL BALL TOSS DEVICE**
(71) Applicant: **Michael Melo**, Bristol, NH (US)
(72) Inventor: **Michael Melo**, Bristol, NH (US)

(**) Term: **15 Years**

(21) Appl. No.: **29/597,032**

(22) Filed: **Mar. 14, 2017**

(51) **LOC (11) Cl.** **21-01**

(52) **U.S. Cl.**
USPC **D21/302**

(58) **Field of Classification Search**
USPC D21/300, 302, 303, 318, 334; 273/317,
273/331, 336, 398, 400, 402, 407, 408,
273/410, 118 R, 123 R, 236, 348, 386,
273/287; 473/569, 578, 592, 454
CPC A63B 63/00; A63B 67/00; A63B 71/00
See application file for complete search history.

(56) **References Cited**

U.S. PATENT DOCUMENTS

D235,155 S * 5/1975 Perkins D21/305
3,958,806 A * 5/1976 Brown A63B 63/06
273/317.3
4,982,966 A * 1/1991 Teafatiller A63B 67/06
273/336
5,060,955 A * 10/1991 Bible A63B 67/06
273/400

5,275,419 A * 1/1994 Kazemi A42B 1/004
2/195.1
D498,503 S * 11/2004 Worth D21/303
8,651,492 B1 * 2/2014 Cappuccio A63B 67/002
273/317
D705,674 S * 5/2014 Lasserre D10/39
D729,320 S * 5/2015 Parker D21/303
D736,320 S * 8/2015 Shadle D21/302
D754,795 S * 4/2016 Kopytko D21/303
D759,759 S * 6/2016 Woodward D21/302
D786,401 S * 5/2017 Valladares D21/302

* cited by examiner

Primary Examiner — Prabhakar Deshmukh

(74) *Attorney, Agent, or Firm* — Dale J. Ream

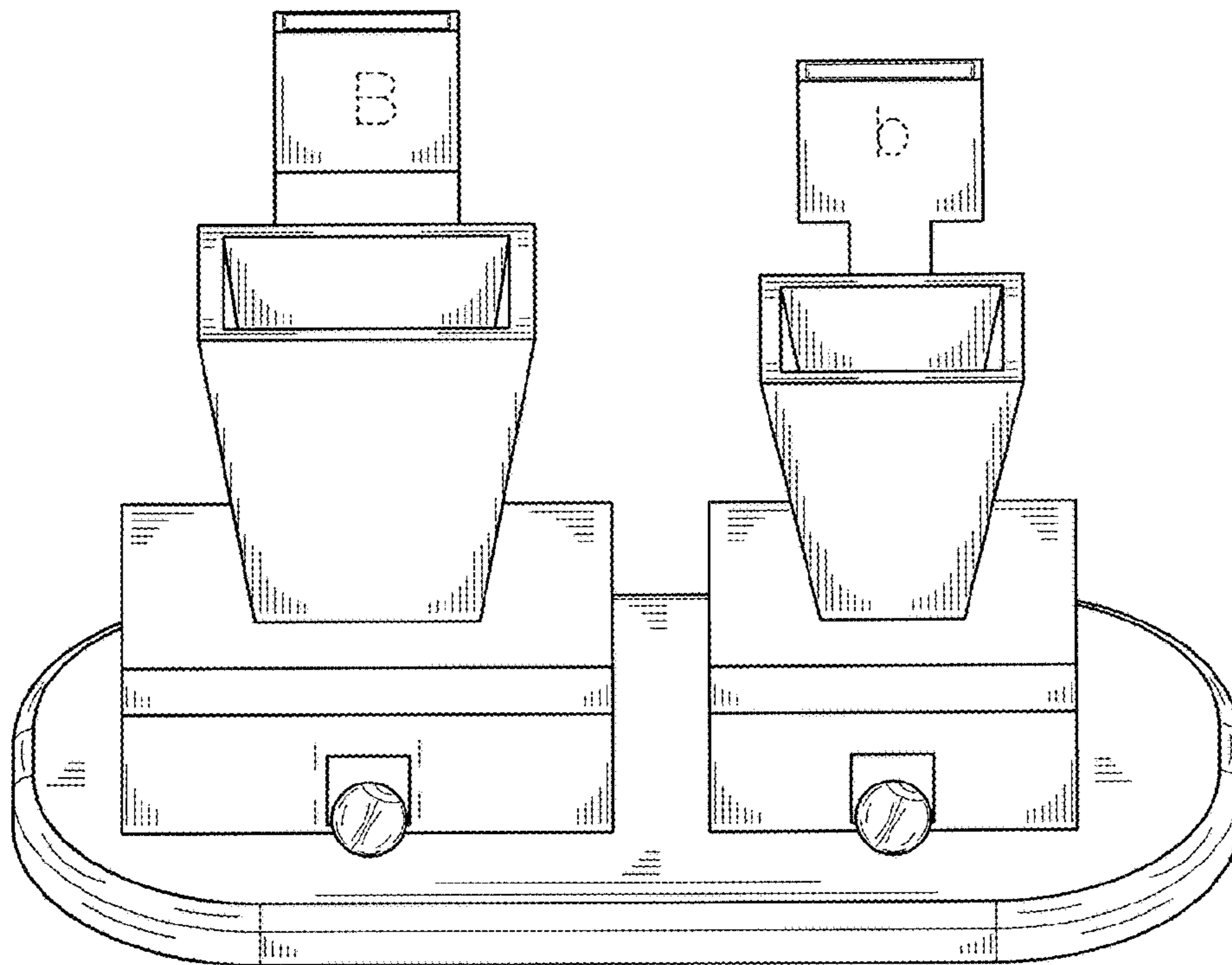
(57) **CLAIM**

The ornamental design for an educational ball toss device, as shown and described.

DESCRIPTION

FIG. 1 is a front perspective view of an educational ball toss device showing my new design;
FIG. 2 is another perspective view thereof;
FIG. 3 is a front elevational view thereof;
FIG. 4 is a right side elevational view thereof;
FIG. 5 is a rear elevational view thereof;
FIG. 6 is a left side elevational view thereof; and,
FIG. 7 is a top plan view thereof.
The broken lines illustrate environment and forms no part of the claimed design.

1 Claim, 7 Drawing Sheets



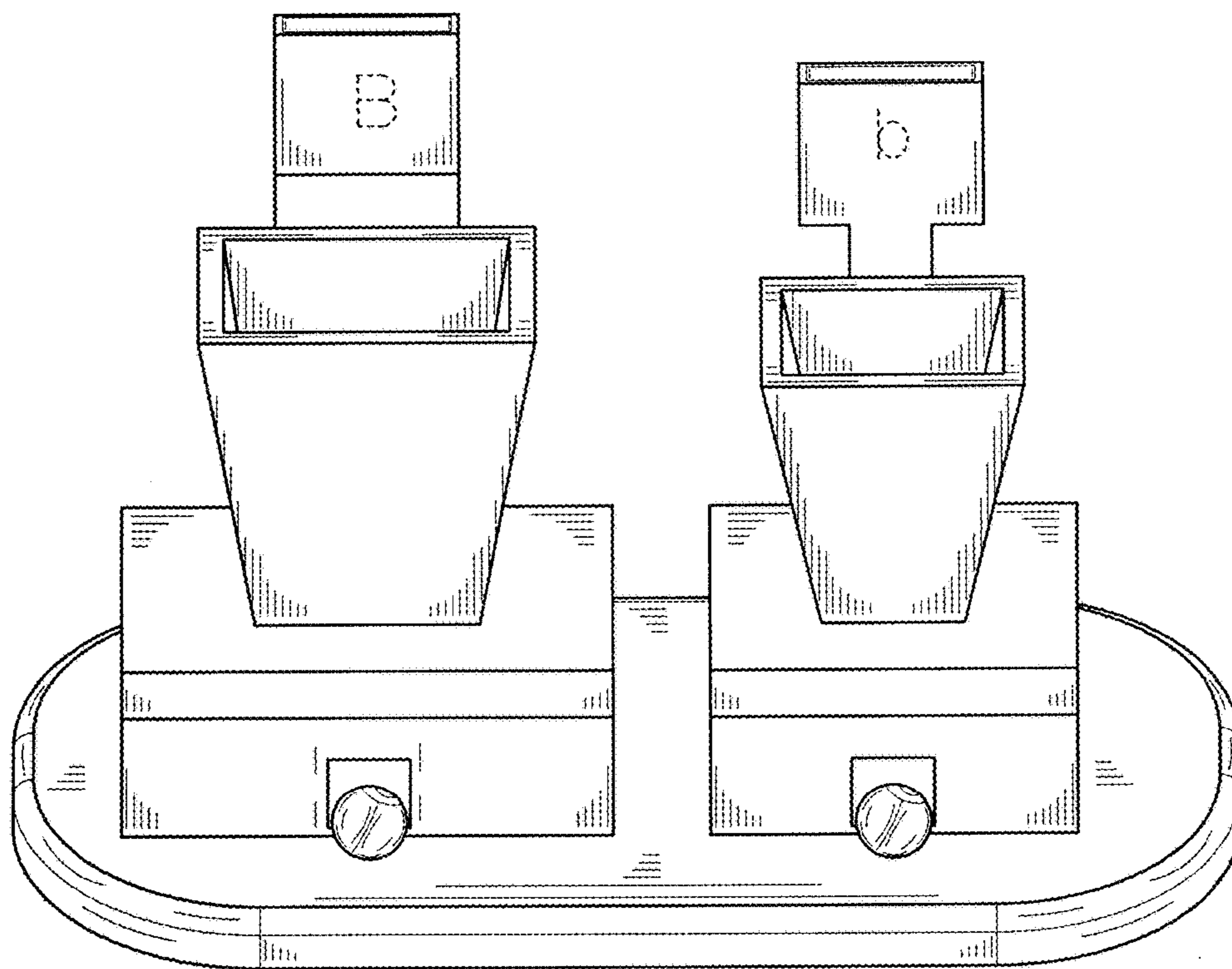


FIG. 1

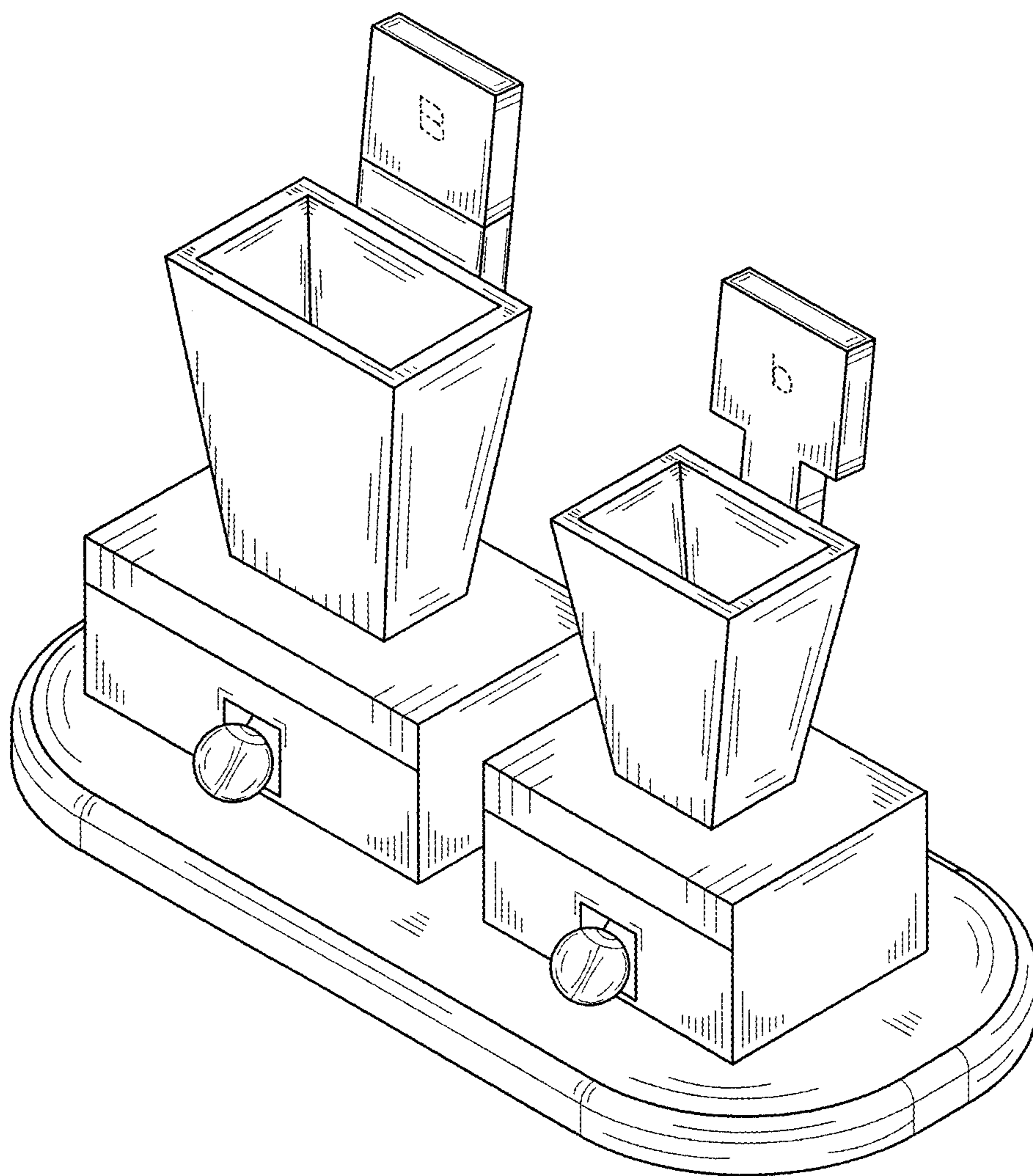


FIG. 2

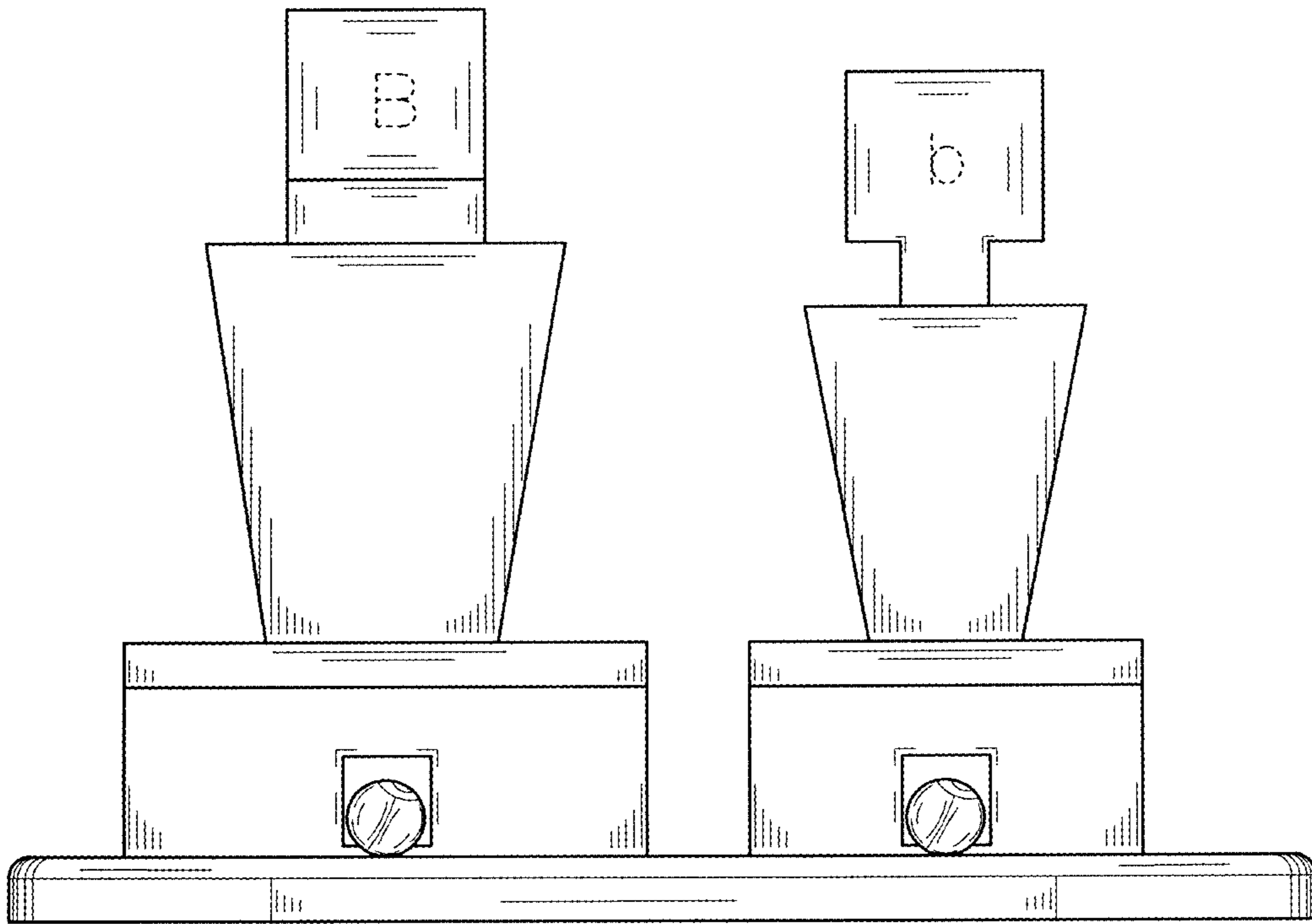


FIG. 3

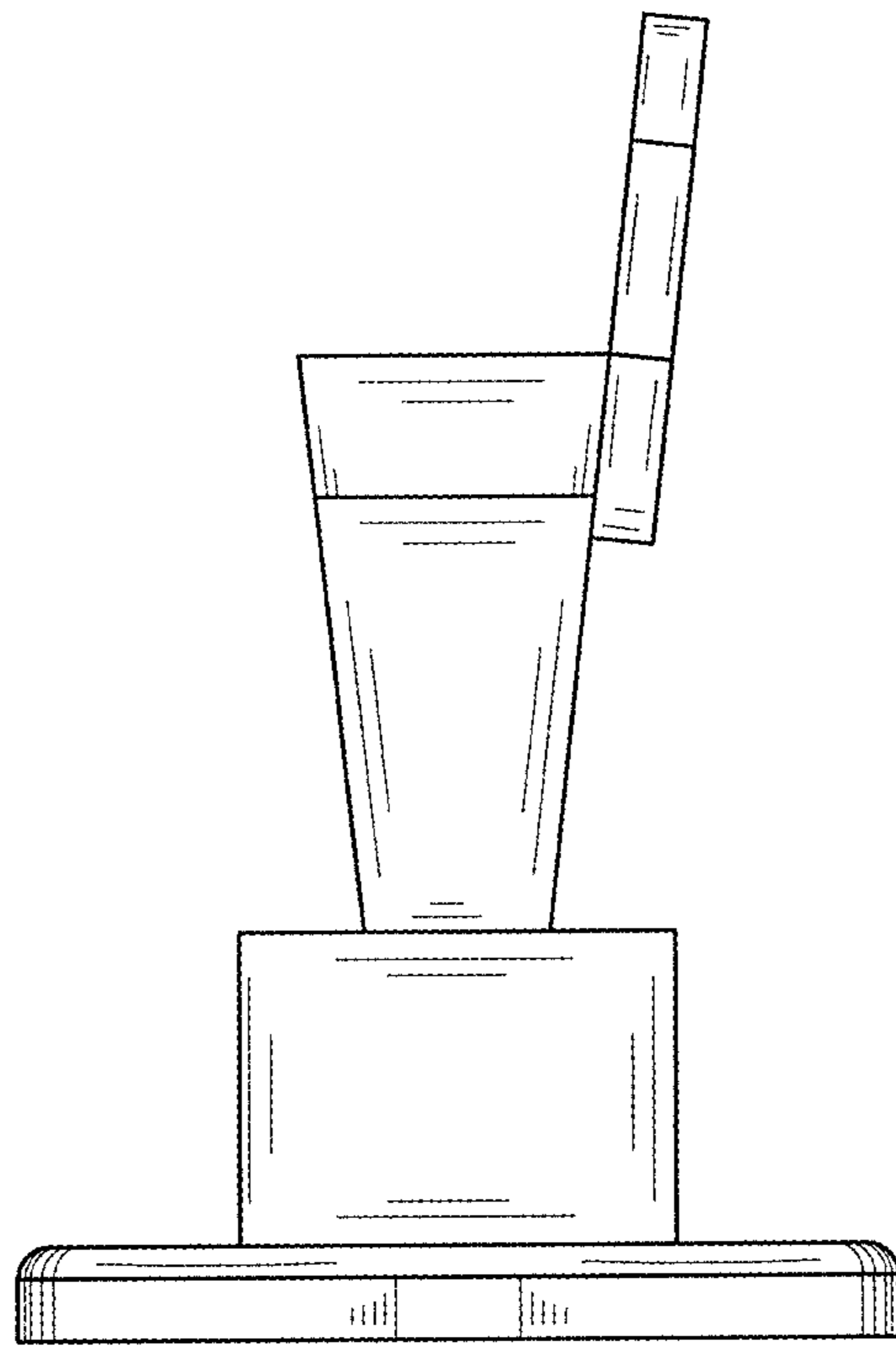


FIG. 4

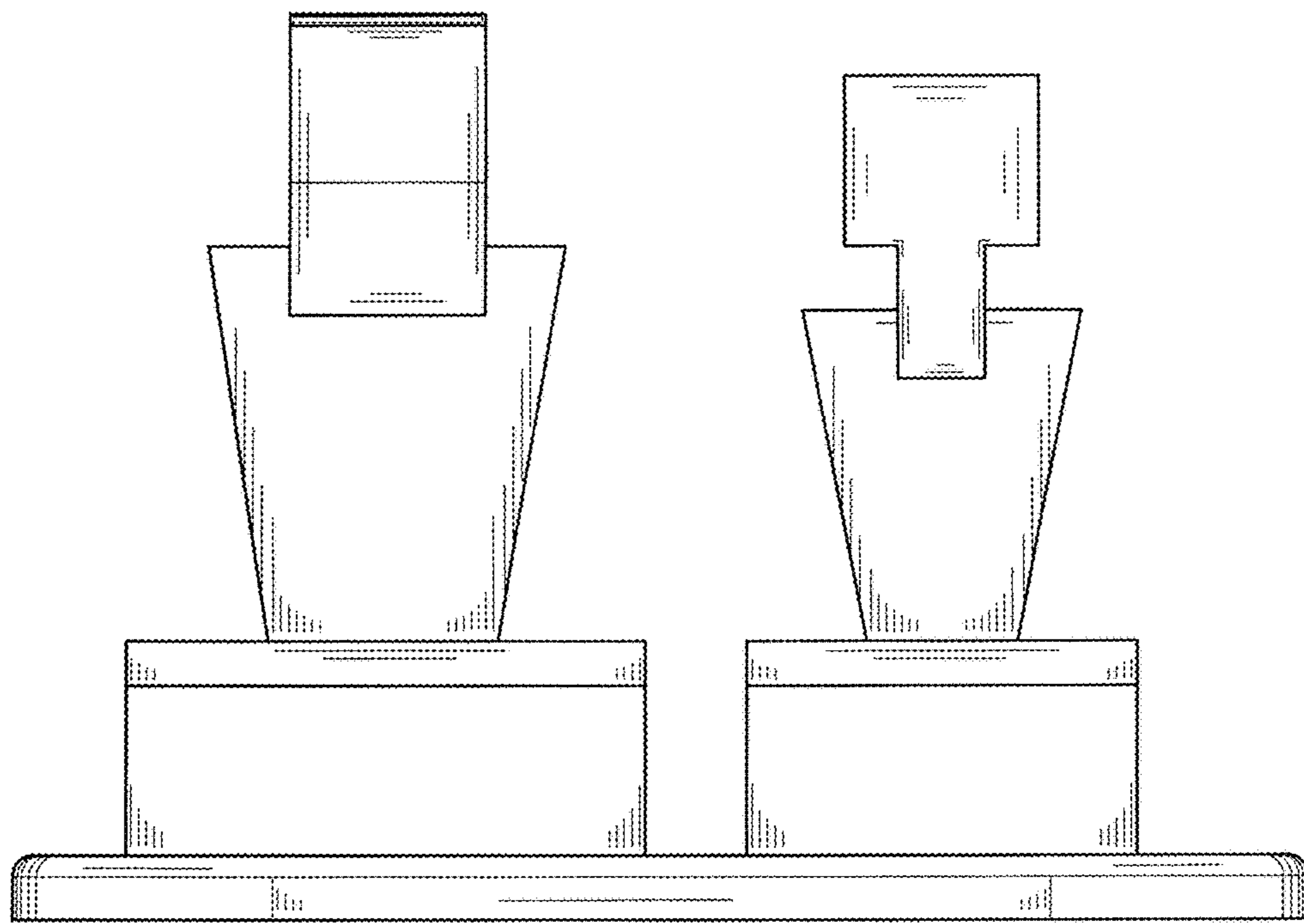


FIG. 5

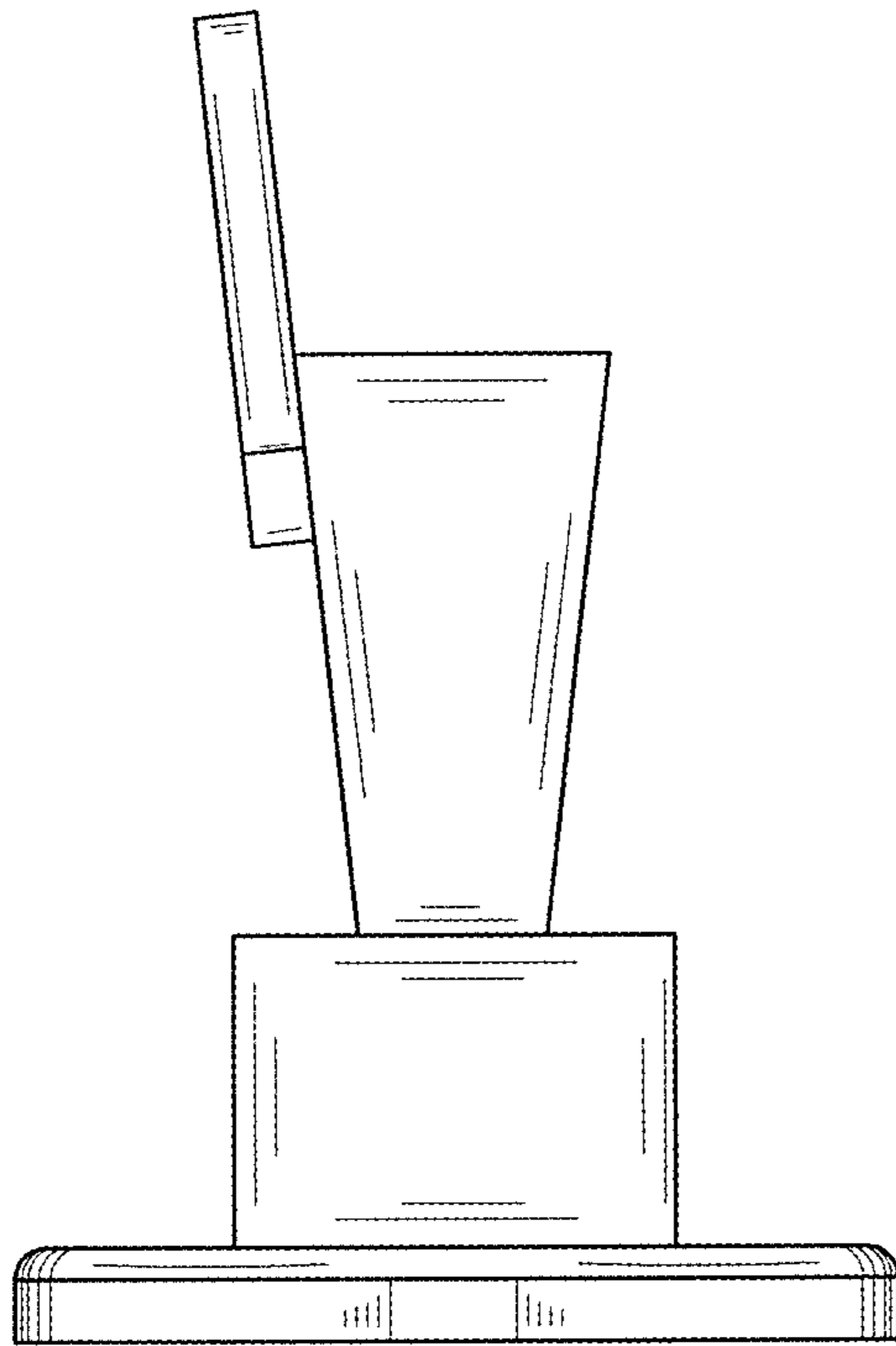


FIG. 6

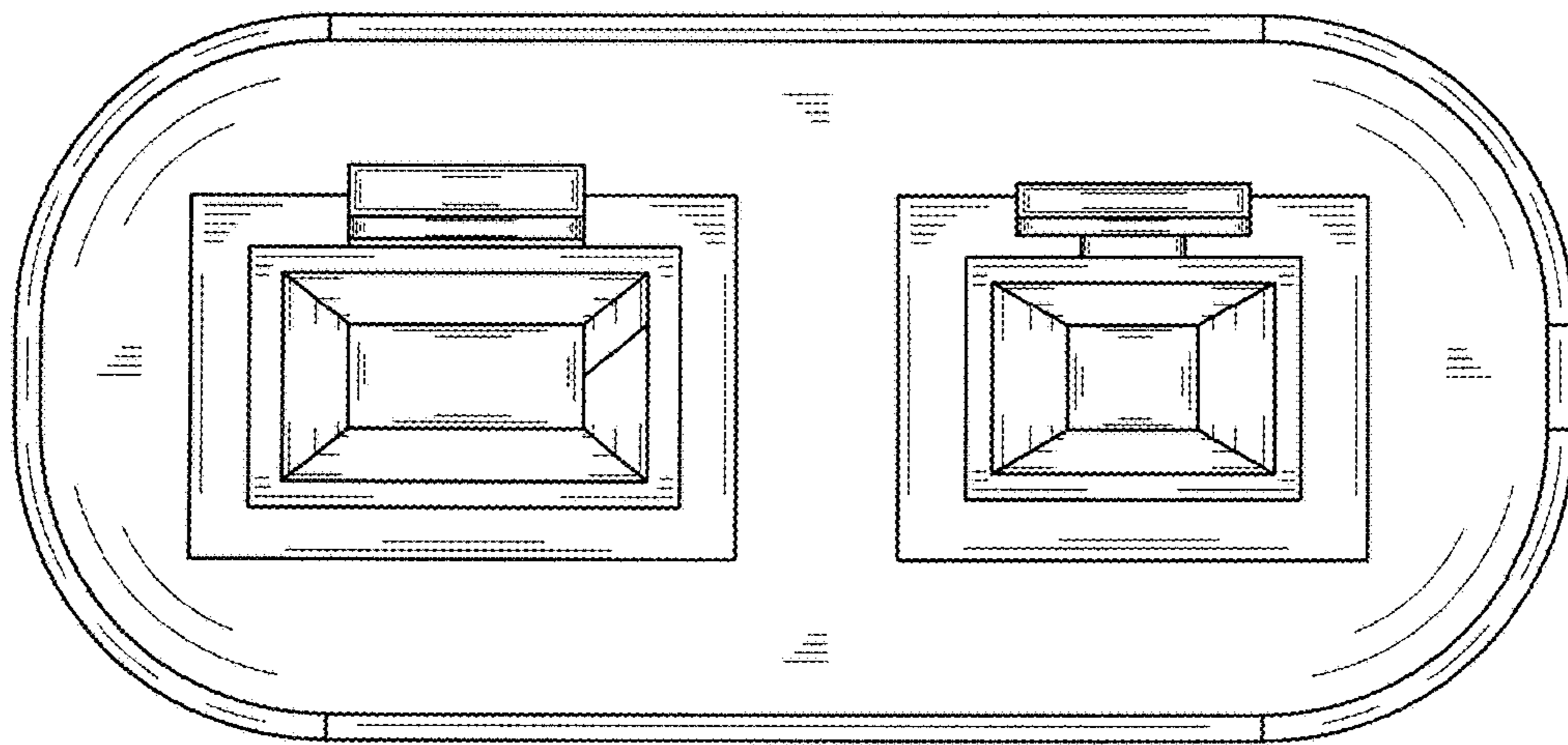


FIG. 7