



US00D817404S

(12) **United States Design Patent** (10) **Patent No.:** **US D817,404 S**  
**Armonti et al.** (45) **Date of Patent:** **\*\* May 8, 2018**

(54) **VENDING APPARATUS** D286,061 S \* 10/1986 Chalabian ..... D20/6  
 4,708,409 A \* 11/1987 Voegeli ..... G09F 15/0043  
 312/138.1  
 (71) Applicant: **Farmont Consulting, LLC**, New York, NY (US) 4,787,687 A \* 11/1988 Merl ..... A47B 87/0276  
 312/100  
 (72) Inventors: **Fausto Armonti**, New York, NY (US); D315,069 S \* 3/1991 Merl ..... D20/8  
**Giorgio Aldini**, Reggio Emilia (IT) D333,844 S \* 3/1993 Nichols ..... D20/6  
 5,921,436 A \* 7/1999 Lowing ..... G07F 11/045  
 221/195  
 (73) Assignee: **FARMONT CONSULTING LLC**, 6,279,719 B1 \* 8/2001 Israel ..... G07F 11/045  
 New York, NY (US) 194/248  
 6,318,591 B1 \* 11/2001 Martin ..... G07F 11/045  
 221/226  
 (\*\*) Term: **15 Years** 7,819,282 B2 \* 10/2010 Israel ..... G07F 11/045  
 221/152  
 (21) Appl. No.: **29/534,413** 2005/0224512 A1 \* 10/2005 Israel ..... G07F 11/045  
 221/155

(22) Filed: **Jul. 28, 2015**  
 (51) **LOC (11) Cl.** ..... **20-01**  
 (52) **U.S. Cl.**  
 USPC ..... **D20/1; D20/9**  
 (58) **Field of Classification Search**  
 USPC ..... D20/1-9; D99/28  
 CPC ..... G07F 11/00; G07F 11/045; G07F 11/005;  
 G07F 11/007; G07F 11/04; G07F 11/10;  
 G07F 11/14; G07F 11/32; G07F 11/46;  
 G07F 11/62; G07F 5/069; G09F 15/0043;  
 A47B 87/0226

See application file for complete search history.

(56) **References Cited**  
 U.S. PATENT DOCUMENTS  
 D273,595 S \* 4/1984 Gore ..... D20/6  
 4,544,081 A \* 10/1985 Voegeli ..... G07F 11/045  
 194/350  
 4,576,271 A \* 3/1986 Chalabian ..... G07F 5/06  
 194/233

\* cited by examiner

*Primary Examiner* — Mary Ann Calabrese  
 (74) *Attorney, Agent, or Firm* — Rimon, P.C.; Marc Kaufman

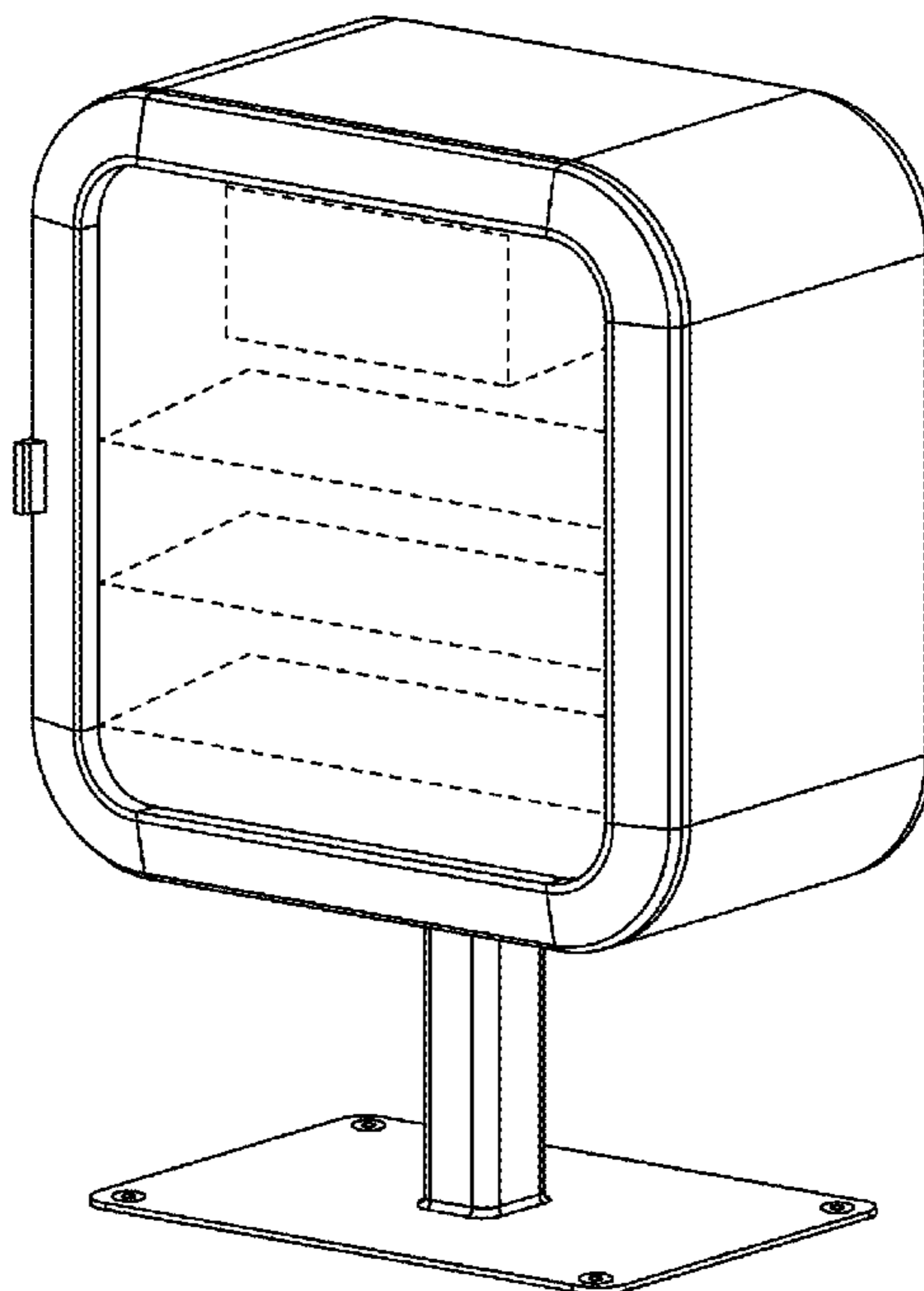
(57) **CLAIM**

The ornamental design for a vending apparatus, as shown and described.

**DESCRIPTION**

FIG. 1 is a side view of a vending apparatus of the invention; FIG. 2 is a front view of FIG. 1; and, FIG. 3 is a perspective view of FIG. 1.  
 In the drawings, the broken lines represent portions of the vending apparatus that form no part of the claimed design.

**1 Claim, 3 Drawing Sheets**



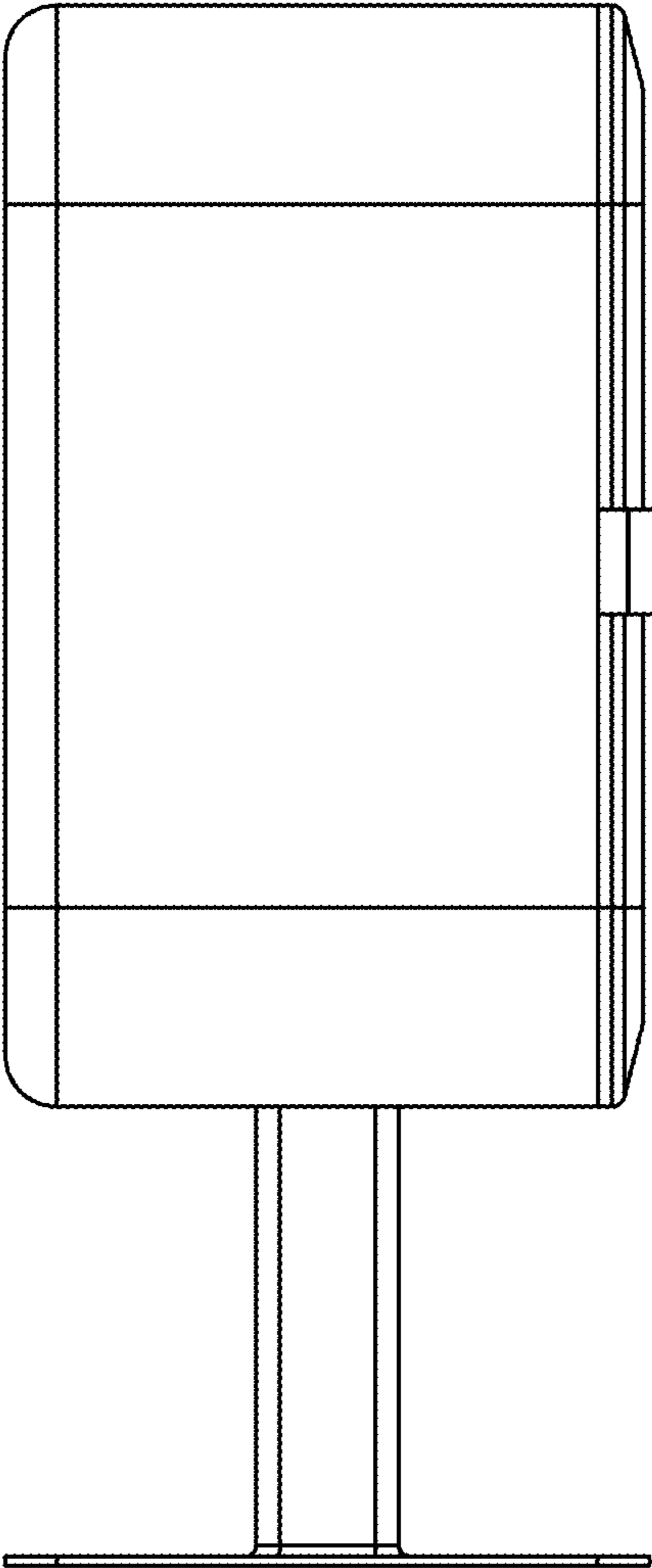


FIG. 1

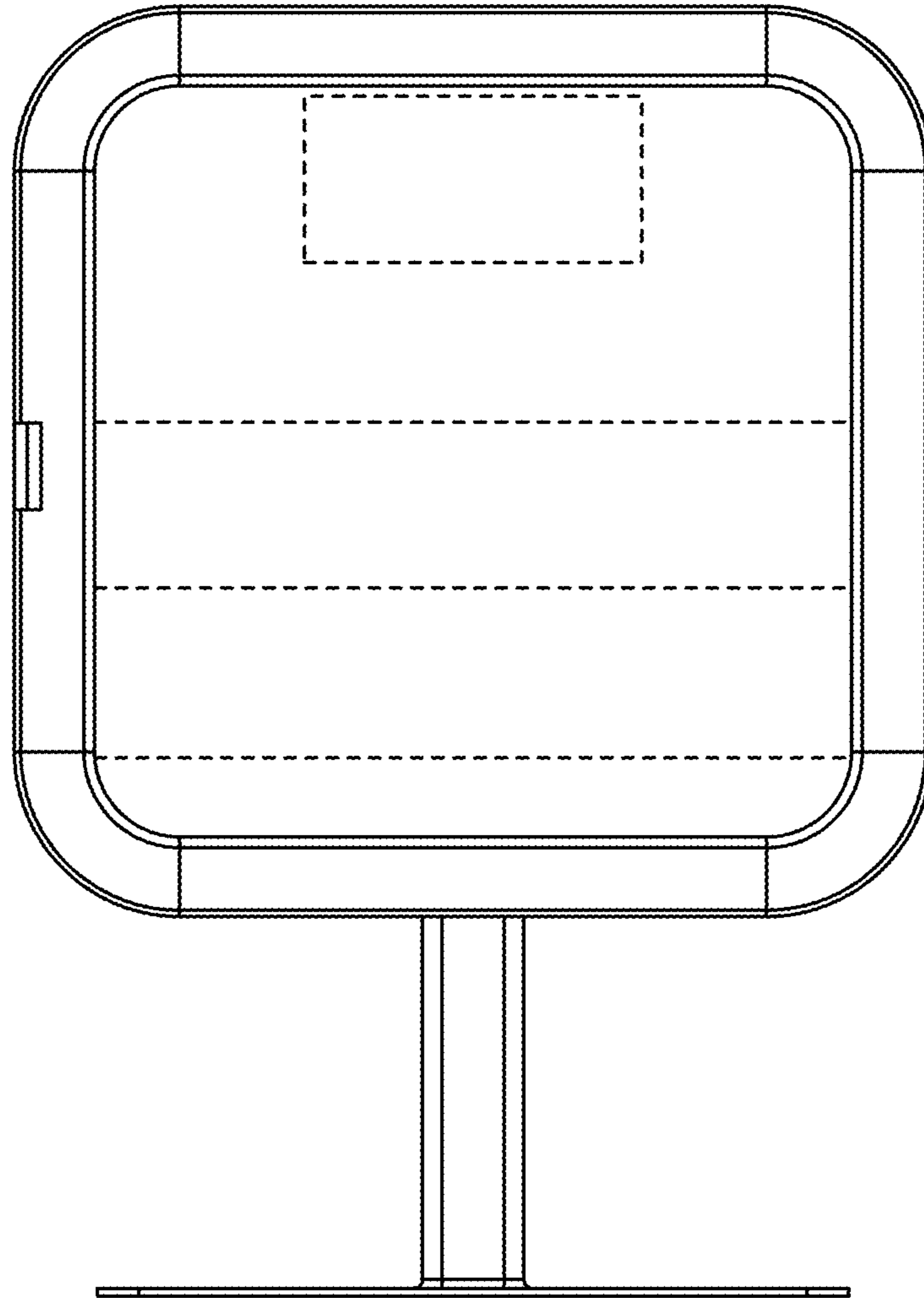


FIG. 2

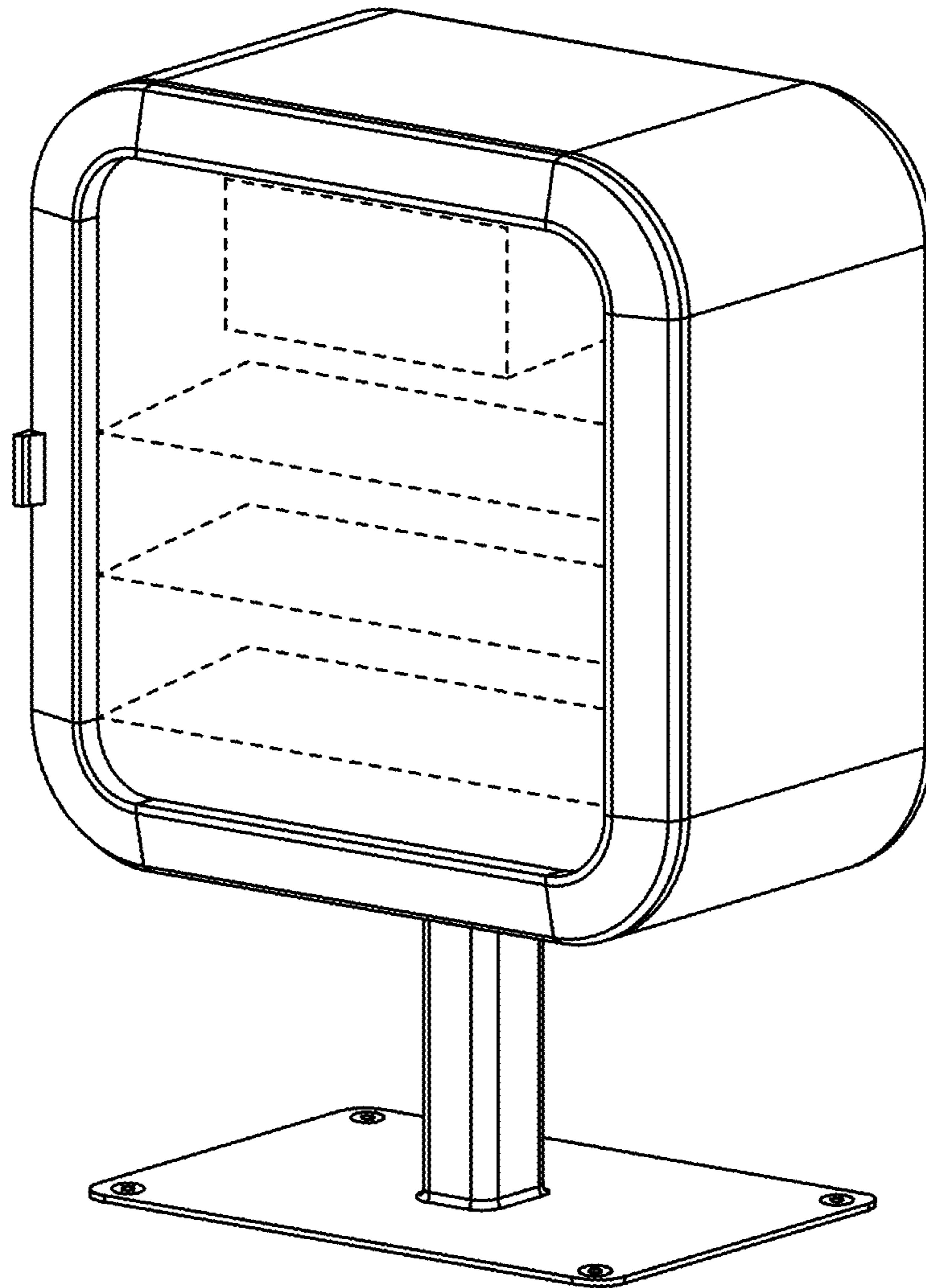


FIG. 3