



US00D817401S

(12) **United States Design Patent**
Csokmay

(10) **Patent No.:** **US D817,401 S**

(45) **Date of Patent:** **** May 8, 2018**

- (54) **PEN**
- (71) Applicant: **The Berea Hardwoods Co., Inc.**,
Middleburg Heights, OH (US)
- (72) Inventor: **Joseph M. Csokmay**, Parma, OH (US)
- (73) Assignee: **The Berea Hardwoods Co., Inc.**,
Middleburg Heights, OH (US)
- (**) Term: **15 Years**
- (21) Appl. No.: **29/580,324**
- (22) Filed: **Oct. 7, 2016**
- (51) **LOC (11) Cl.** **19-06**
- (52) **U.S. Cl.**
USPC **D19/196**
- (58) **Field of Classification Search**
USPC D14/411, 431; D19/115–204, 108;
D12/107, 118, 502, 512, 535
CPC . B43K 7/00; B43K 7/005; B43K 7/12; B43K
8/04; B43K 8/06; B43K 19/00; B43K
19/02; B43K 19/14; B43K 21/006; B43K
21/06; B43K 23/06; B43K 24/08; B62K
21/02

See application file for complete search history.

- D148,939 S * 3/1948 Martin D12/118
- 2,537,679 A * 1/1951 Kraeft B62K 25/16
280/277
- 2,968,493 A * 1/1961 Douglas B62K 21/02
228/151
- 3,083,038 A * 3/1963 Moulton B62K 21/20
267/33
- D324,398 S * 3/1992 Herbst D19/195
- 5,183,281 A * 2/1993 Stephens B62J 23/00
280/279
- 5,309,643 A * 5/1994 McCollom B26B 29/06
15/437
- D364,641 S * 11/1995 Osterhout 401/195
- D385,225 S * 10/1997 Challoner D12/107
- 6,352,276 B1 * 3/2002 Hill B62K 21/02
280/279
- D508,715 S * 8/2005 Rommel D19/168
- D513,766 S * 1/2006 Cetera D19/117
- D514,477 S * 2/2006 Doll D12/118
- D521,420 S * 5/2006 Cobb D12/118
- D552,683 S * 10/2007 Cetera D19/196
- D552,684 S * 10/2007 Cetera D19/196

(Continued)

Primary Examiner — Elizabeth Albert
(74) *Attorney, Agent, or Firm* — Sand & Sebolt

(57) **CLAIM**

The ornamental design for a pen, as shown and described.

DESCRIPTION

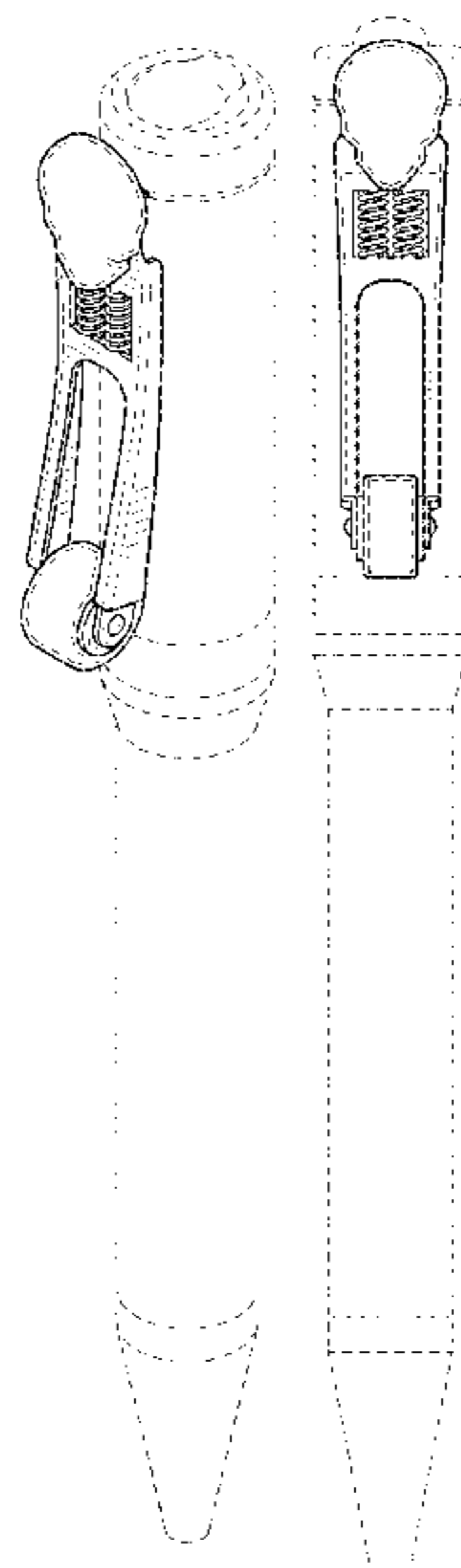
FIG. 1 is a perspective view of a pen showing my new design;
FIG. 2 is a front view thereof;
FIG. 3 is a rear view thereof;
FIG. 4 is a top view thereof;
FIG. 5 is a bottom view thereof;
FIG. 6 is a left side view thereof; and,
FIG. 7 is a right side view thereof.
The broken lines show portions of the pen that form no part of the claimed design.

1 Claim, 3 Drawing Sheets

(56) **References Cited**

U.S. PATENT DOCUMENTS

- D26,411 S * 12/1896 Moore D12/118
- 1,159,596 A * 11/1915 McCartha B62K 21/06
280/279
- 1,221,823 A * 4/1917 Bowker B62K 21/06
280/279
- 1,370,404 A * 3/1921 Borgo B62K 25/08
280/277
- 1,995,795 A * 3/1935 Clark B62J 6/02
280/288.4
- D145,171 S * 7/1946 Green et al. D19/196



(56)

References Cited

U.S. PATENT DOCUMENTS

D616,279 S * 5/2010 Dodek, II D8/83
9,598,137 B2 * 3/2017 Tsai B62K 21/02
9,844,972 B2 * 12/2017 Park B43K 7/00
2008/0073140 A1 * 3/2008 Seger B62K 25/283
180/227
2011/0316249 A1 * 12/2011 Thoma B62K 21/02
280/279
2016/0229477 A1 * 8/2016 Galasso B62K 21/02

* cited by examiner

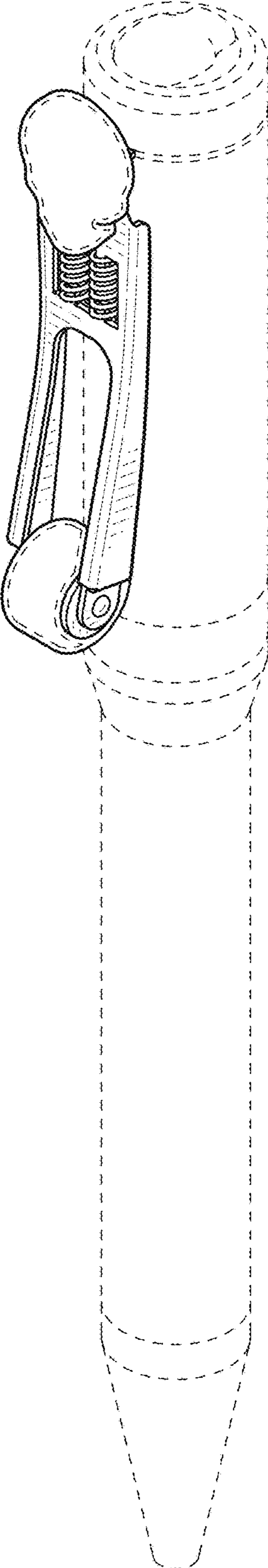


FIG. 1

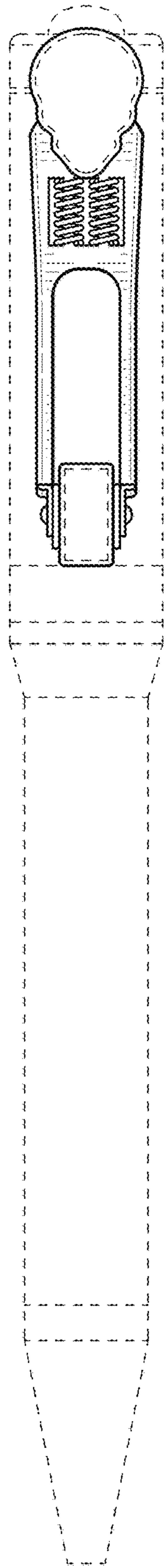


FIG. 2

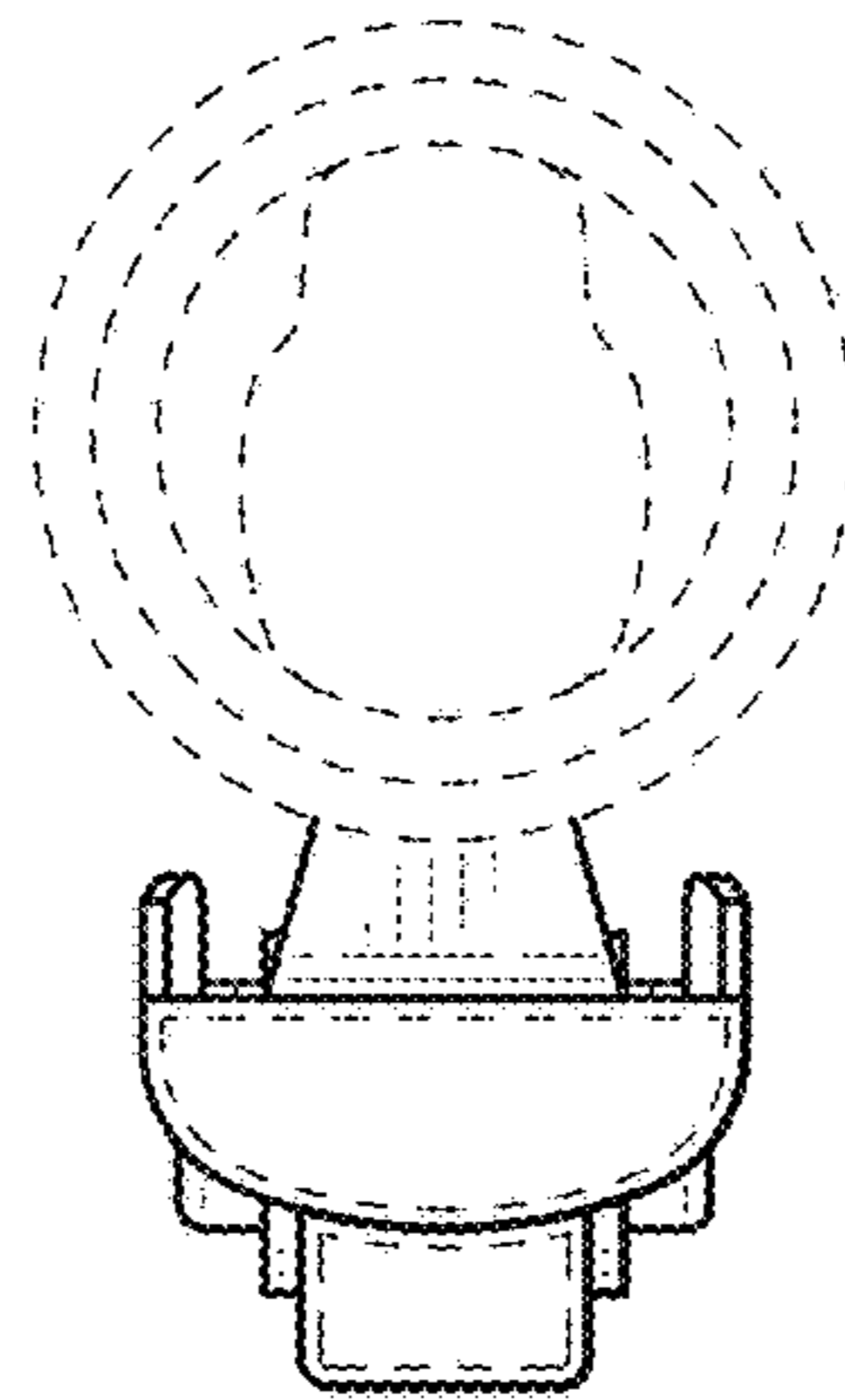


FIG. 4

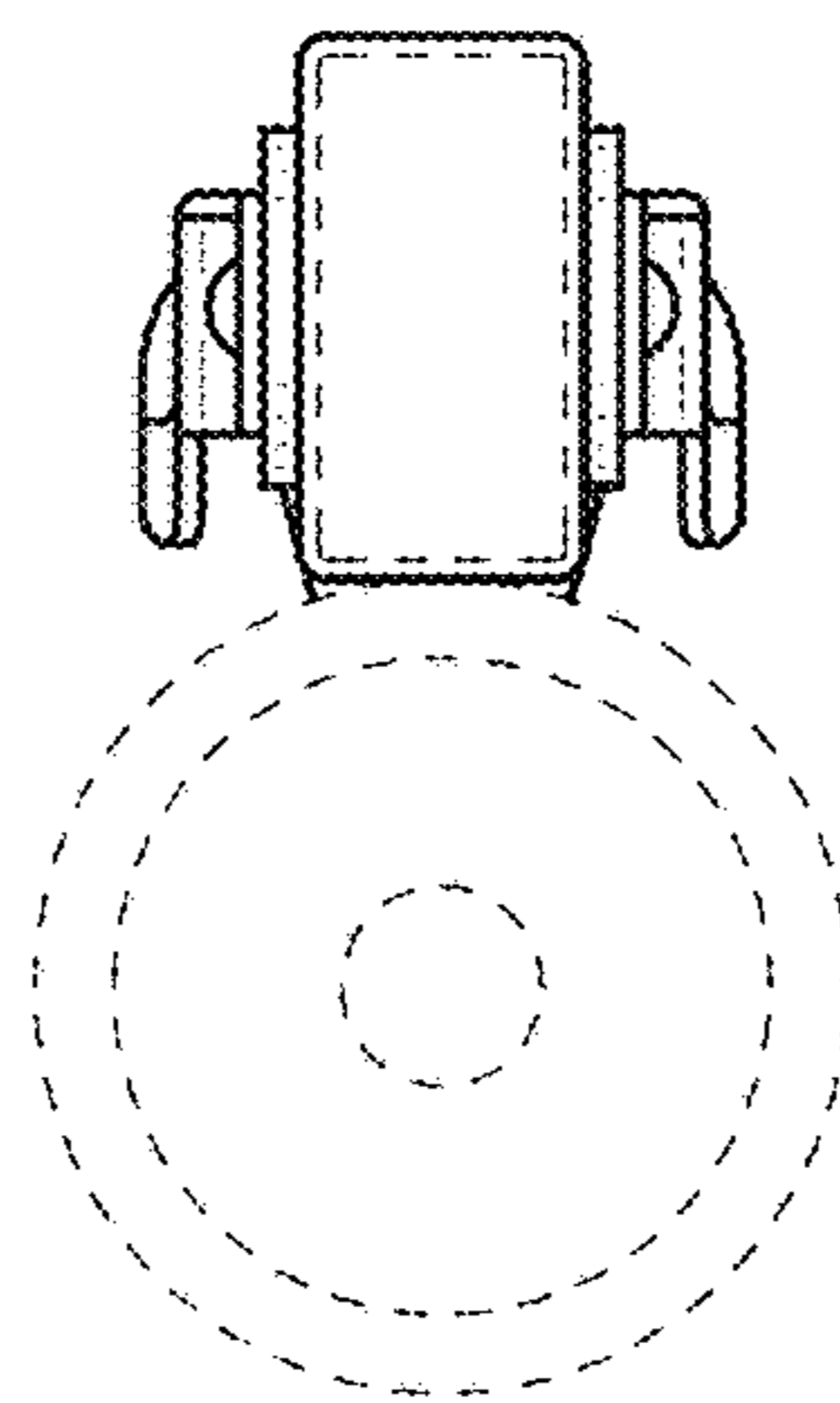


FIG. 5

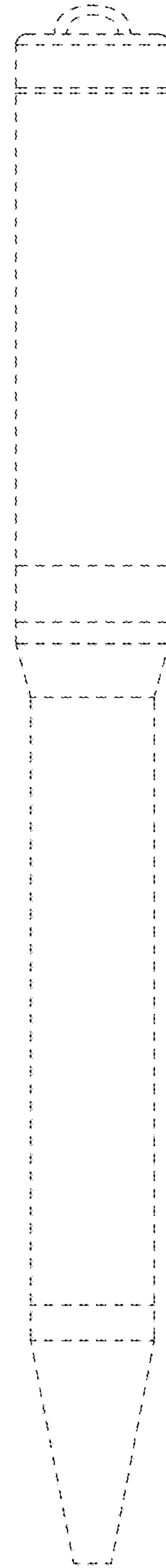


FIG. 3

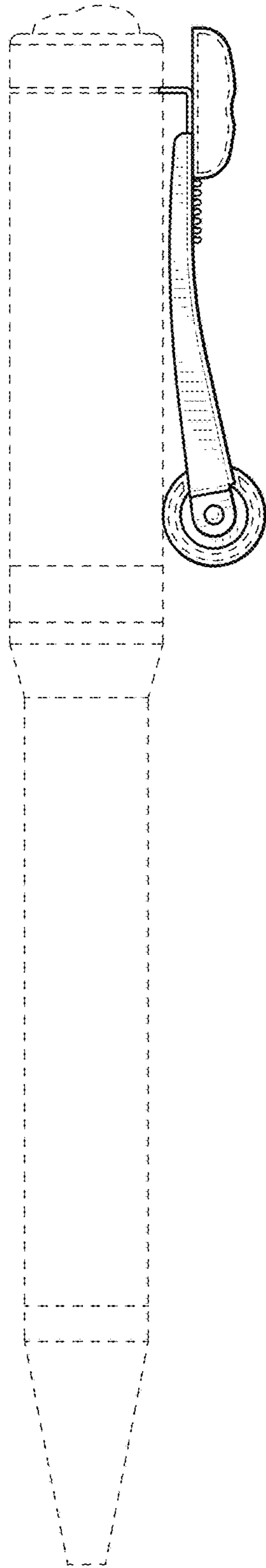


FIG. 6

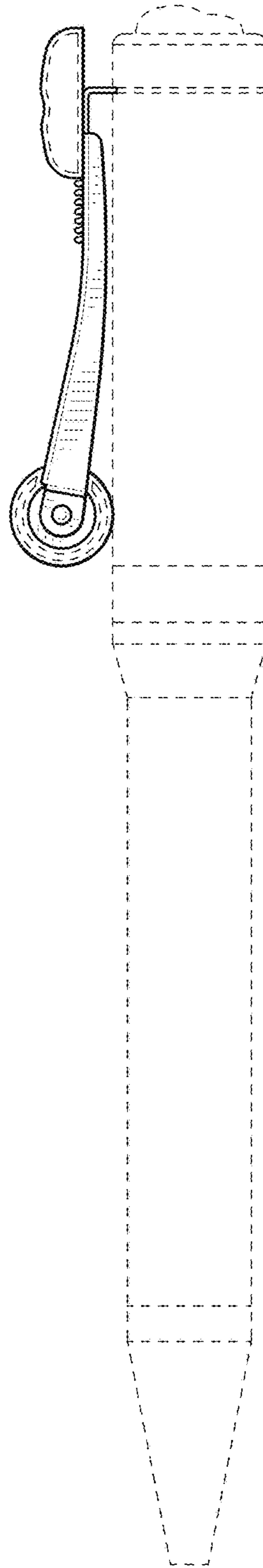


FIG. 7