



US00D817400S

(12) **United States Design Patent** (10) **Patent No.:** **US D817,400 S**
Kim (45) **Date of Patent:** **** *May 8, 2018**

- (54) **BALLPOINT PEN**
- (71) Applicant: **DONG-A PENCIL CO., LTD.**, Seoul (KR)
- (72) Inventor: **Hakjae Kim**, Seoul (KR)
- (73) Assignee: **DONG-A PENCIL CO., LTD.**, Seoul (KR)
- (*) Notice: This patent is subject to a terminal disclaimer.
- (**) Term: **15 Years**
- (21) Appl. No.: **29/574,513**
- (22) Filed: **Aug. 16, 2016**

D400,922 S *	11/1998	Sakuno	D19/174
D401,624 S *	11/1998	Sakuno	D19/174
D407,114 S *	3/1999	Sakuno	D19/174
D441,017 S *	4/2001	Gault	D19/174
D463,821 S *	10/2002	Nishida	D19/174
D464,083 S *	10/2002	Yoon	D19/171
D475,741 S *	6/2003	Cetera	D19/174
D478,627 S *	8/2003	Moon	D19/174
D480,756 S *	10/2003	Hwang	D19/174
D490,108 S *	5/2004	Moon	D19/174
D506,780 S *	6/2005	Nakazawa	D19/172
D523,476 S *	6/2006	Nakazawa	D19/174
D548,787 S *	8/2007	Slomp	D19/174
D611,535 S *	3/2010	Shimizu	D19/174
D642,619 S *	8/2011	Kermoal	D19/174
D712,479 S *	9/2014	Fleming	D19/171
D722,646 S *	2/2015	Wang	D19/174
D768,777 S *	10/2016	Matsumura	D19/174
D768,778 S *	10/2016	Shibata	D19/174
D787,595 S *	5/2017	Kim	D19/174
D791,874 S *	7/2017	Kim	D19/174
D797,853 S *	9/2017	Kim	D19/174

Related U.S. Application Data

- (63) Continuation-in-part of application No. 29/558,229, filed on Mar. 16, 2016.
- (51) **LOC (11) Cl.** **19-06**
- (52) **U.S. Cl.**
USPC **D19/174; D19/916**
- (58) **Field of Classification Search**
USPC D14/411; D19/115-204; D28/7, 76, 88
CPC ... B43K 5/00; B43K 7/00; B43K 7/12; B43K 8/04; B43K 8/06; B43K 19/00; B43K 19/02; B43K 19/14; B43K 24/08; B43K 24/084
See application file for complete search history.

* cited by examiner

Primary Examiner — Elizabeth A Albert
(74) *Attorney, Agent, or Firm* — Rabin & Berdo, P.C.

(57) **CLAIM**

The ornamental design for a ballpoint pen, as shown and described.

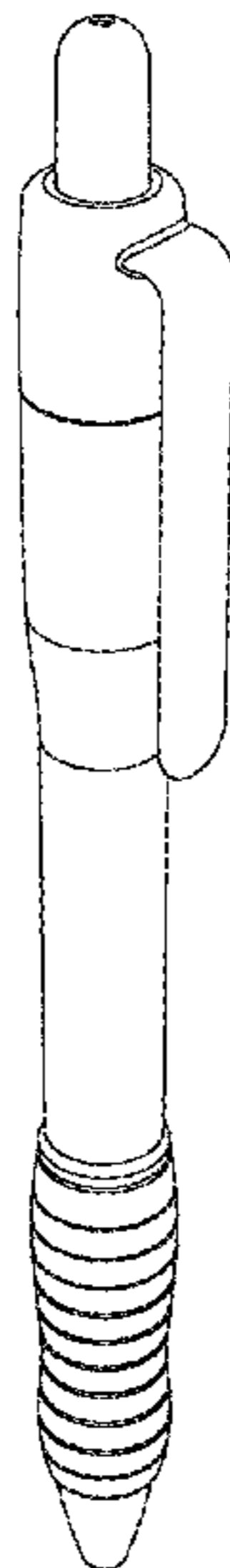
DESCRIPTION

FIG. 1 is a perspective view of a ballpoint pen showing my new design;
FIG. 2 is another perspective view thereof;
FIG. 3 is a front view thereof;
FIG. 4 is a rear view thereof;
FIG. 5 is a top view thereof;
FIG. 6 is a bottom view thereof;
FIG. 7 is left side view thereof; and,
FIG. 8 is a right side view thereof.

(56) **References Cited**
U.S. PATENT DOCUMENTS

D338,915 S *	8/1993	Willat	401/6
D378,601 S *	3/1997	Sakuno	401/6
5,803,637 A *	9/1998	Mitsuya	A45D 40/04
				401/52
D400,581 S *	11/1998	Hasegawa	D19/174

1 Claim, 4 Drawing Sheets



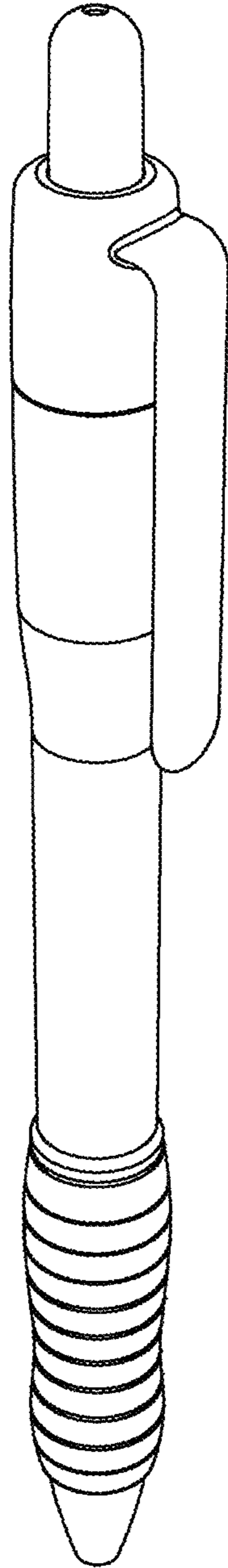


FIG. 1

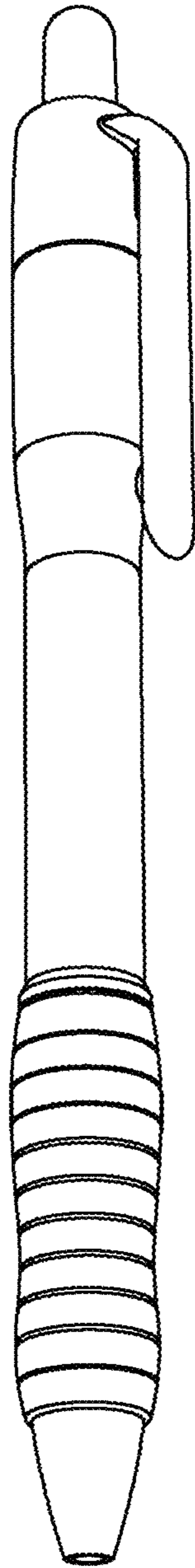


FIG. 2

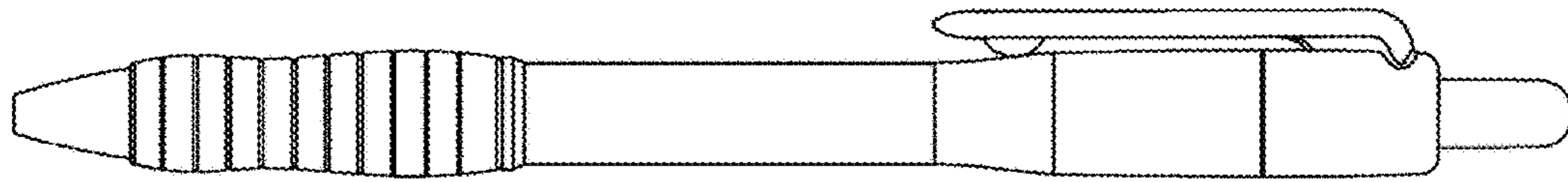


FIG. 3

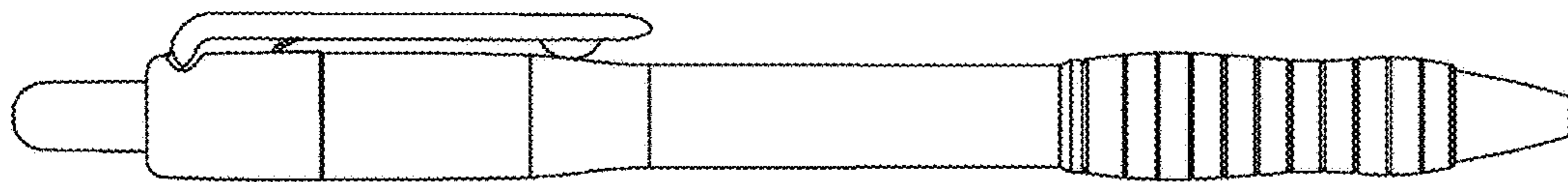


FIG. 4

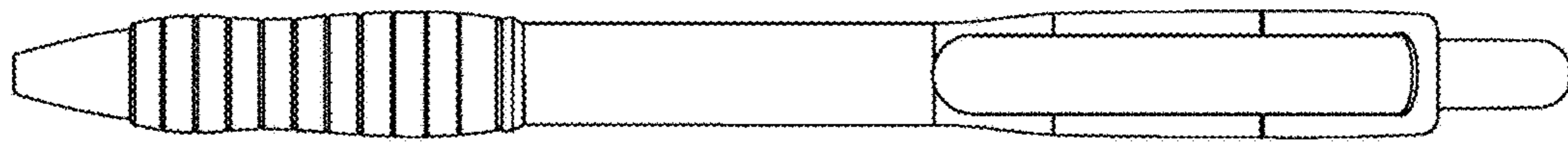


FIG. 5

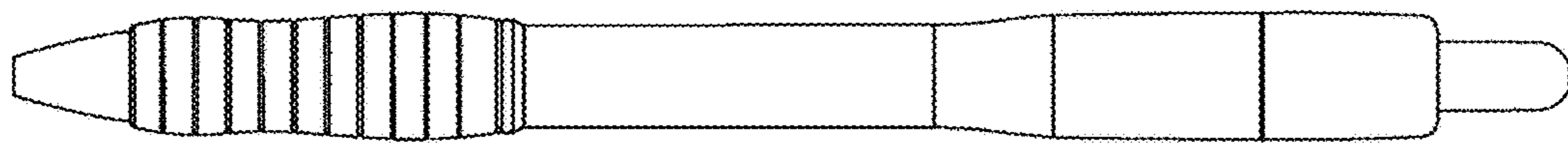


FIG. 6

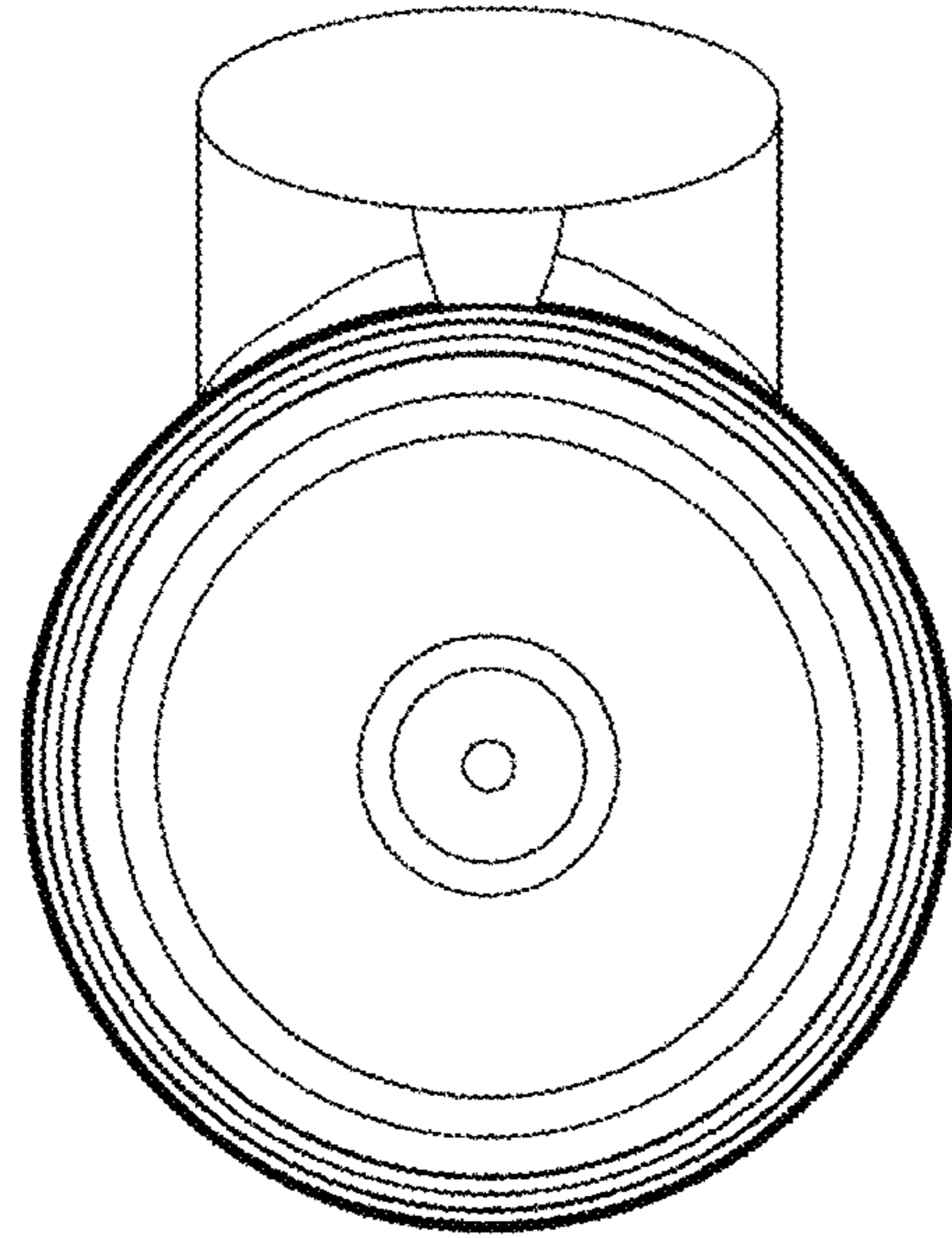


FIG. 7

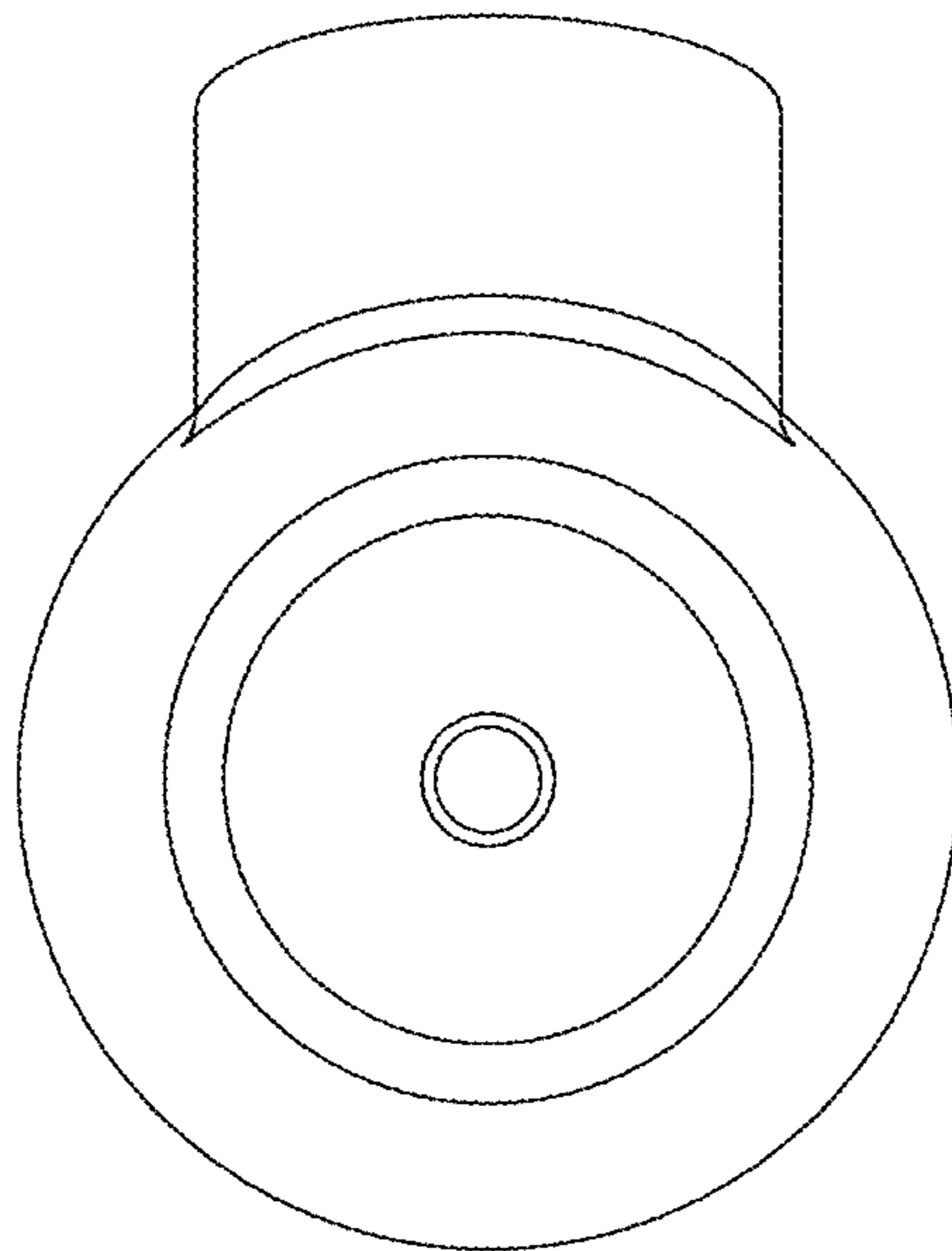


FIG. 8