



US00D817397S

(12) **United States Design Patent** (10) **Patent No.:** **US D817,397 S**
Wu (45) **Date of Patent:** **** May 8, 2018**

(54) **INFORMATION BOARD**
(71) Applicant: **Jiangsu Nantong Zhongfa Display Equipment Co., Ltd.**, Nantong, Jiangsu Province (CN)

(72) Inventor: **Jinbing Wu**, Nantong (CN)

(73) Assignee: **Jiangsu Nantong Zhongfa Display Equipment Co., Ltd.**, Nantong, Jiangsu Province (CN)

(**) Term: **15 Years**

(21) Appl. No.: **29/587,628**

(22) Filed: **Dec. 14, 2016**

(30) **Foreign Application Priority Data**

Jun. 23, 2016 (CN) 2016 3 0273358

(51) **LOC (11) Cl.** **19-06**

(52) **U.S. Cl.**
USPC **D19/113**

(58) **Field of Classification Search**
USPC D19/113, 114; D20/10, 39, 41
CPC G09F 15/00; G09F 15/02; G09F 15/0056;
G09F 15/0062
See application file for complete search history.

(56) **References Cited**

U.S. PATENT DOCUMENTS

D87,948 S * 10/1932 Winter D19/114
2,961,786 A * 11/1960 Lowmaster G09F 15/0062
40/606.14
D260,780 S * 9/1981 Maza D20/10
D343,417 S * 1/1994 Tarozzi D19/107
D371,807 S * 7/1996 Mandell D10/113.1
6,837,385 B2 * 1/2005 Bennett A47B 97/04
211/118
D507,302 S * 7/2005 Chen D19/113

D533,226 S * 12/2006 Middleton D19/113
D533,902 S * 12/2006 Tak D19/114
D748,729 S * 2/2016 Thomaselli D20/10
D785,095 S * 4/2017 Davis D20/10
2009/0183409 A1 * 7/2009 Thomas G09F 15/0062
40/610
2011/0239506 A1 * 10/2011 Glass, Jr. G09F 15/0062
40/610

OTHER PUBLICATIONS

Information Board| Whiteboard display| posted at Alibaba.com, transaction on Sep. 7, 2015, © 1999-2017 Alibaba.com, [online], [site visited Sep. 13, 2017]. Available from Internet, <URL: https://www.alibaba.com/product-detail/Double-sided-whiteboard-display-stand-plastic_60589991314.html>.*

* cited by examiner

Primary Examiner — Daniel D Bui

Assistant Examiner — Andrew Kerr

(74) *Attorney, Agent, or Firm* — Sand & Sebolt

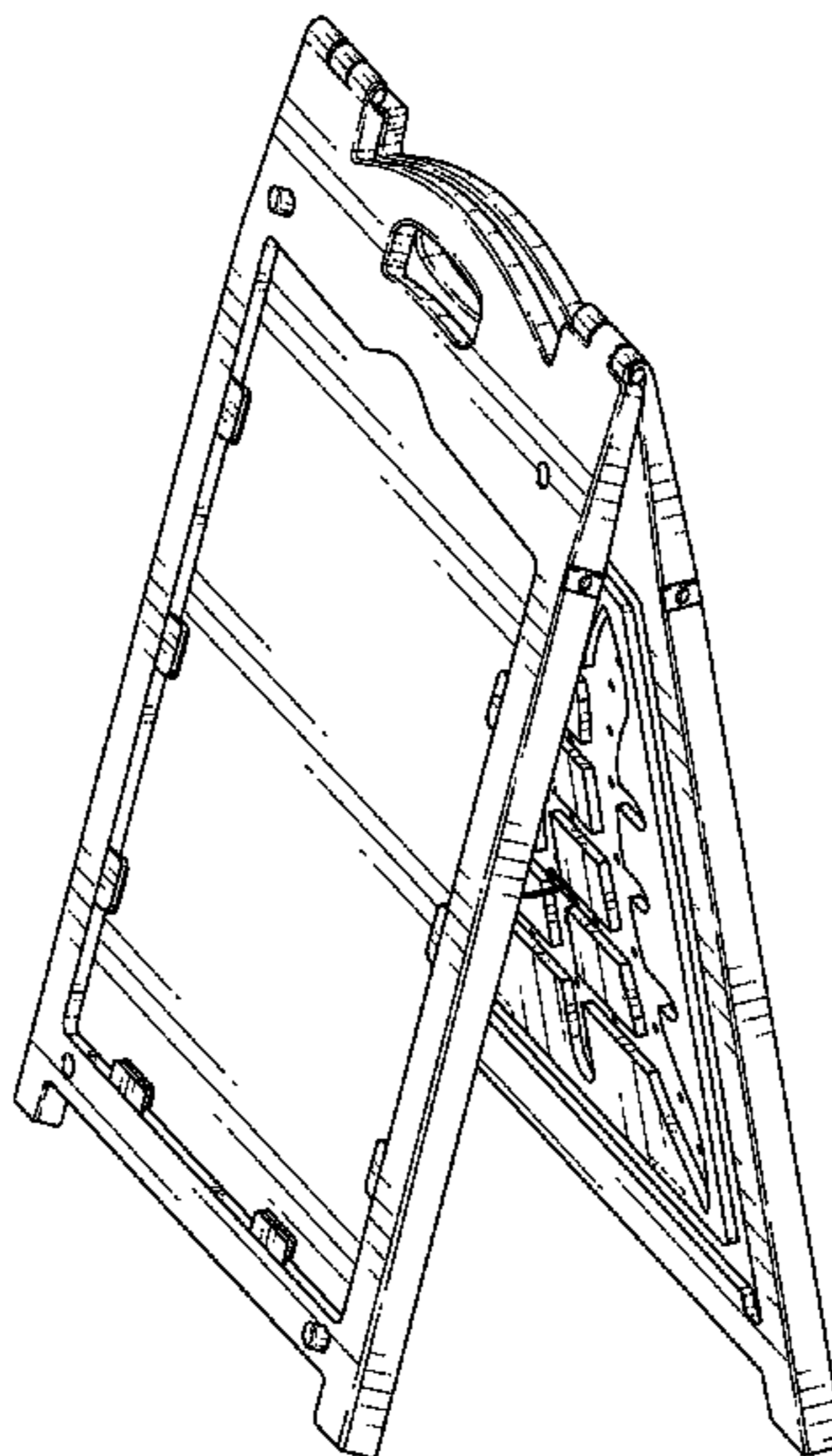
(57) **CLAIM**

The ornamental design for an information board, as shown and described.

DESCRIPTION

FIG. 1 is a perspective view of an information board showing my new design;
FIG. 2 is a front elevation view thereof;
FIG. 3 is a rear elevation view thereof;
FIG. 4 is a right side elevation view thereof;
FIG. 5 is a left side elevation view thereof;
FIG. 6 is a top plan view thereof; and,
FIG. 7 is a bottom plan view thereof.
The broken lines in the drawing views are included for the purpose of illustrating unclaimed environment only, and form no part of the claimed design.

1 Claim, 6 Drawing Sheets



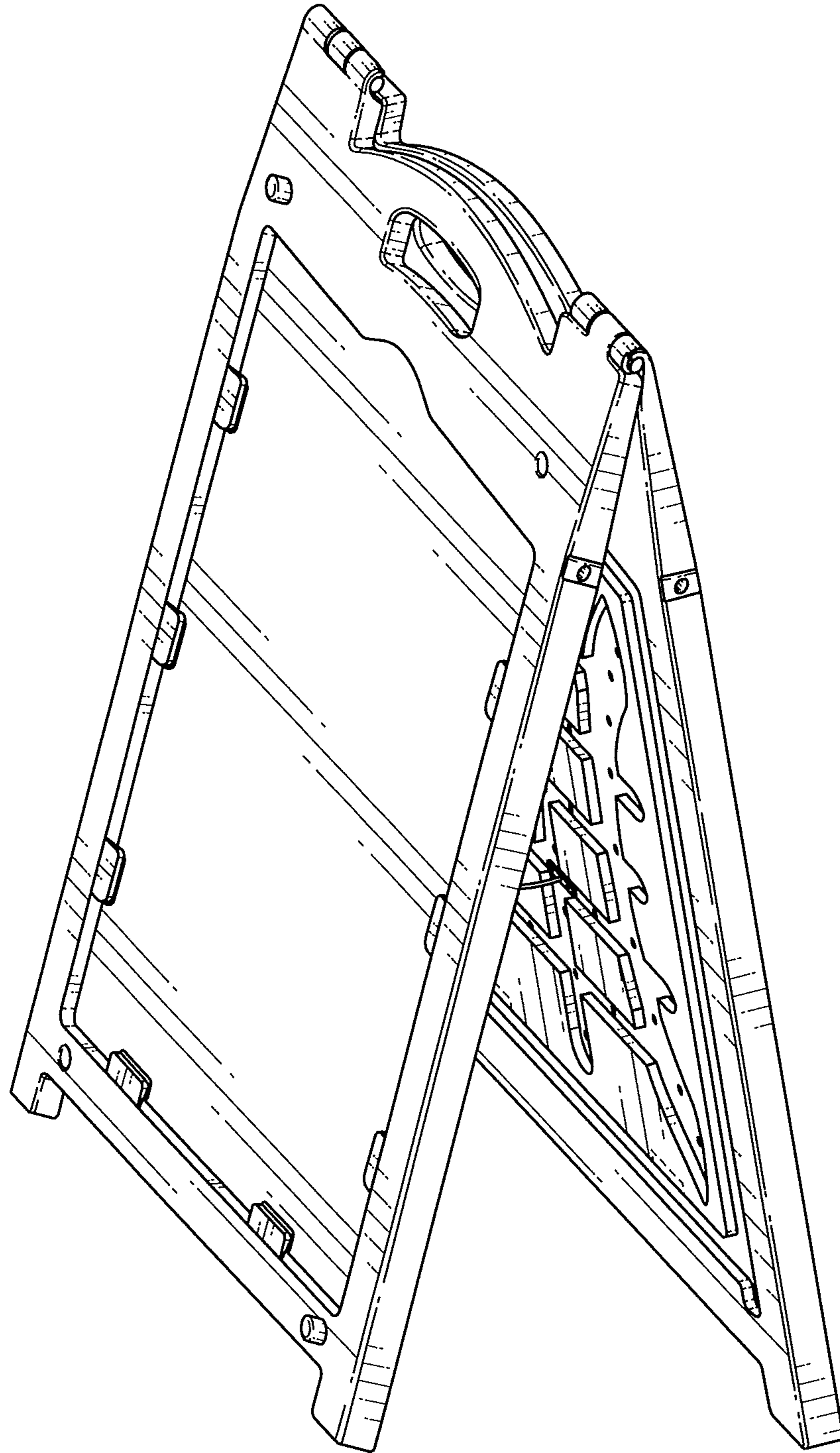


FIG. 1

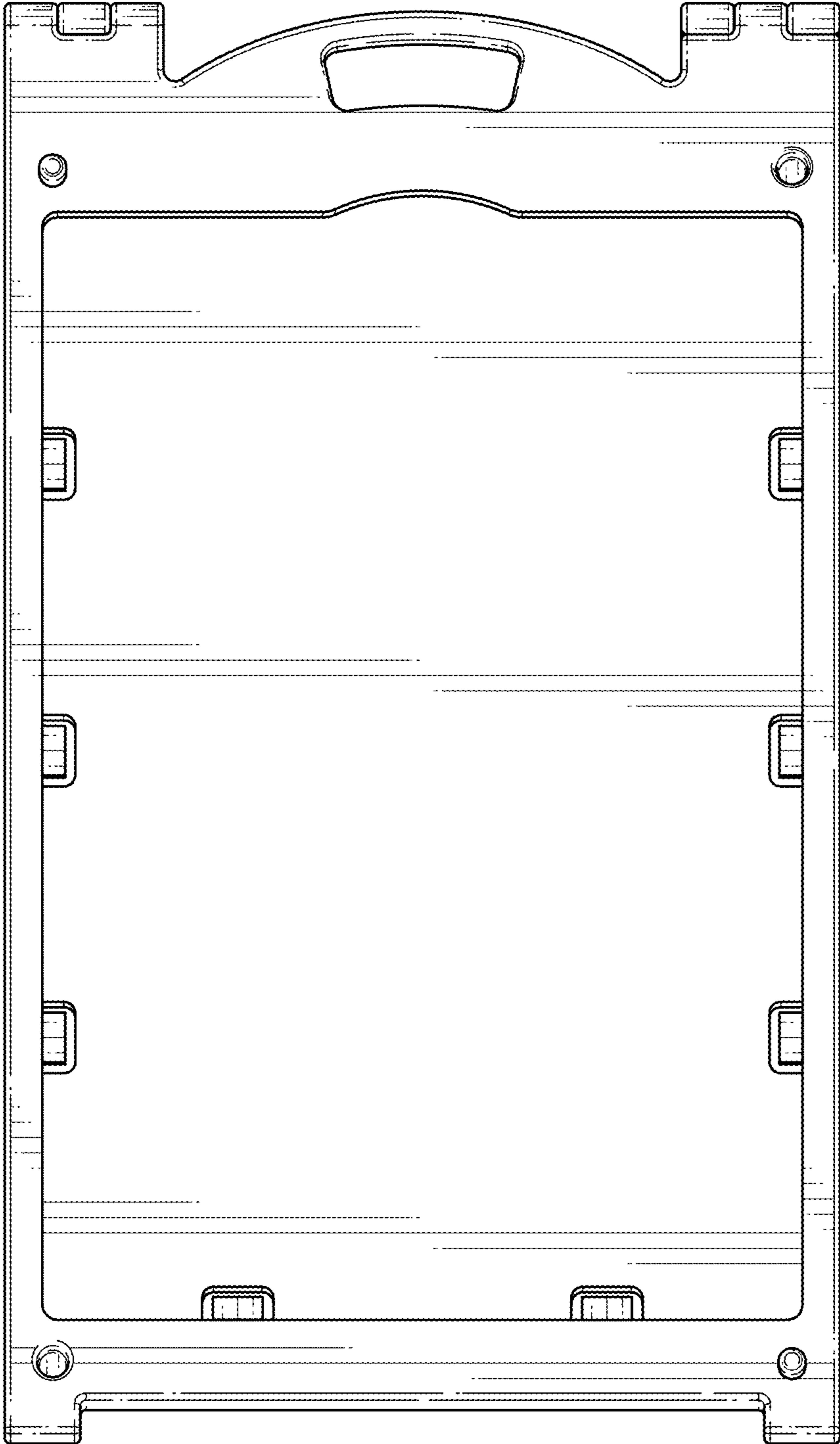


FIG. 2

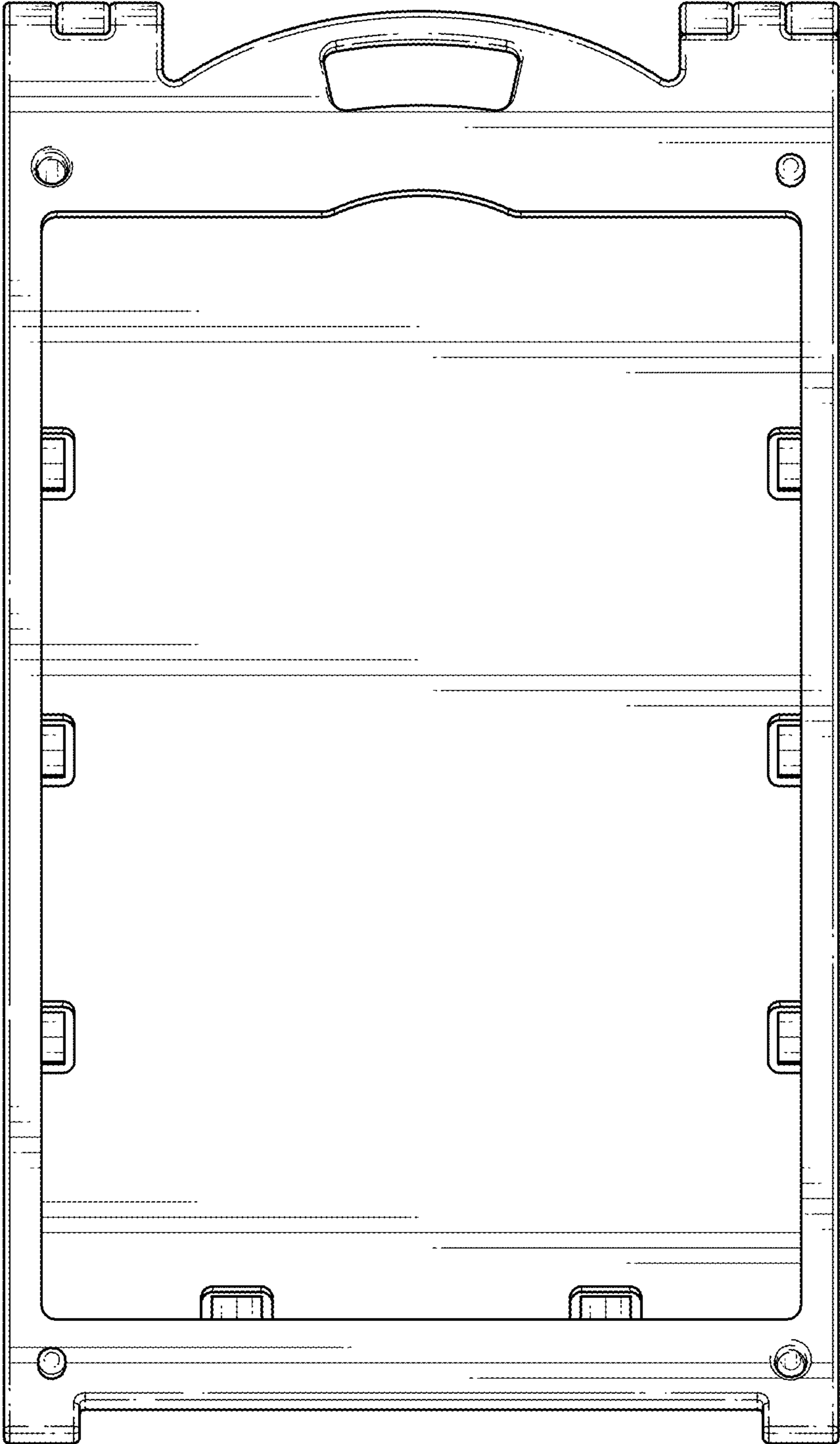


FIG. 3

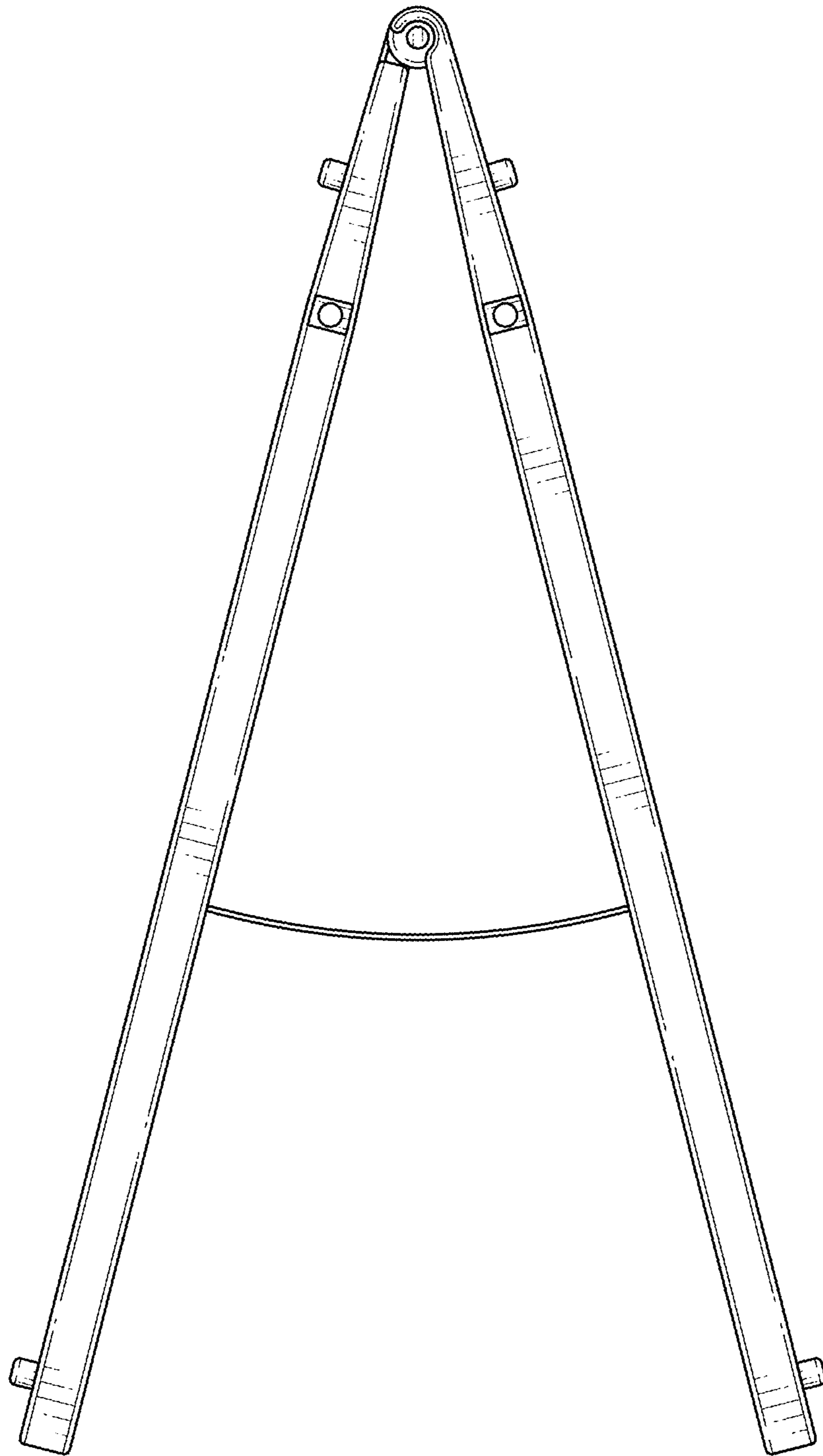


FIG. 4

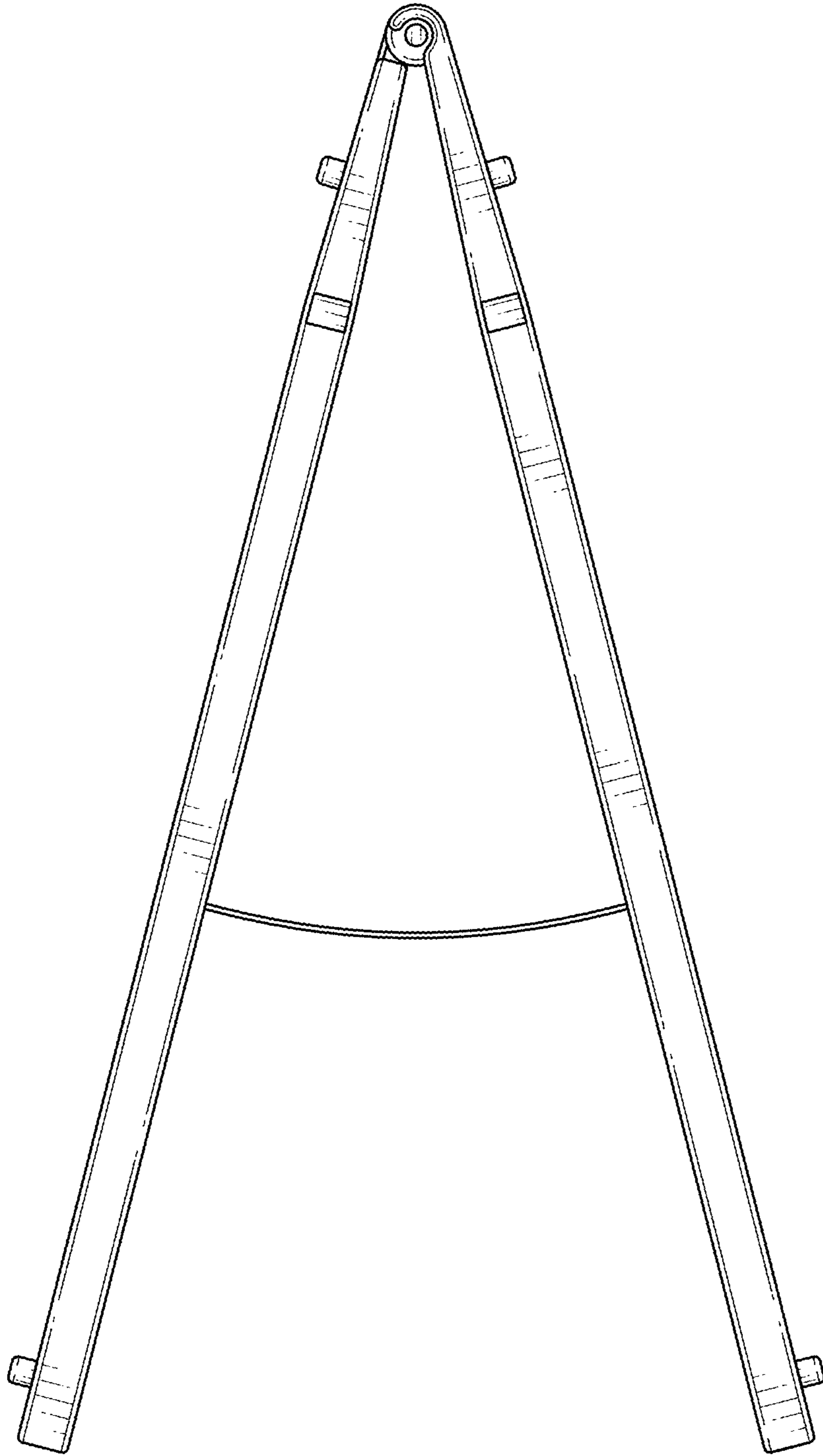


FIG. 5

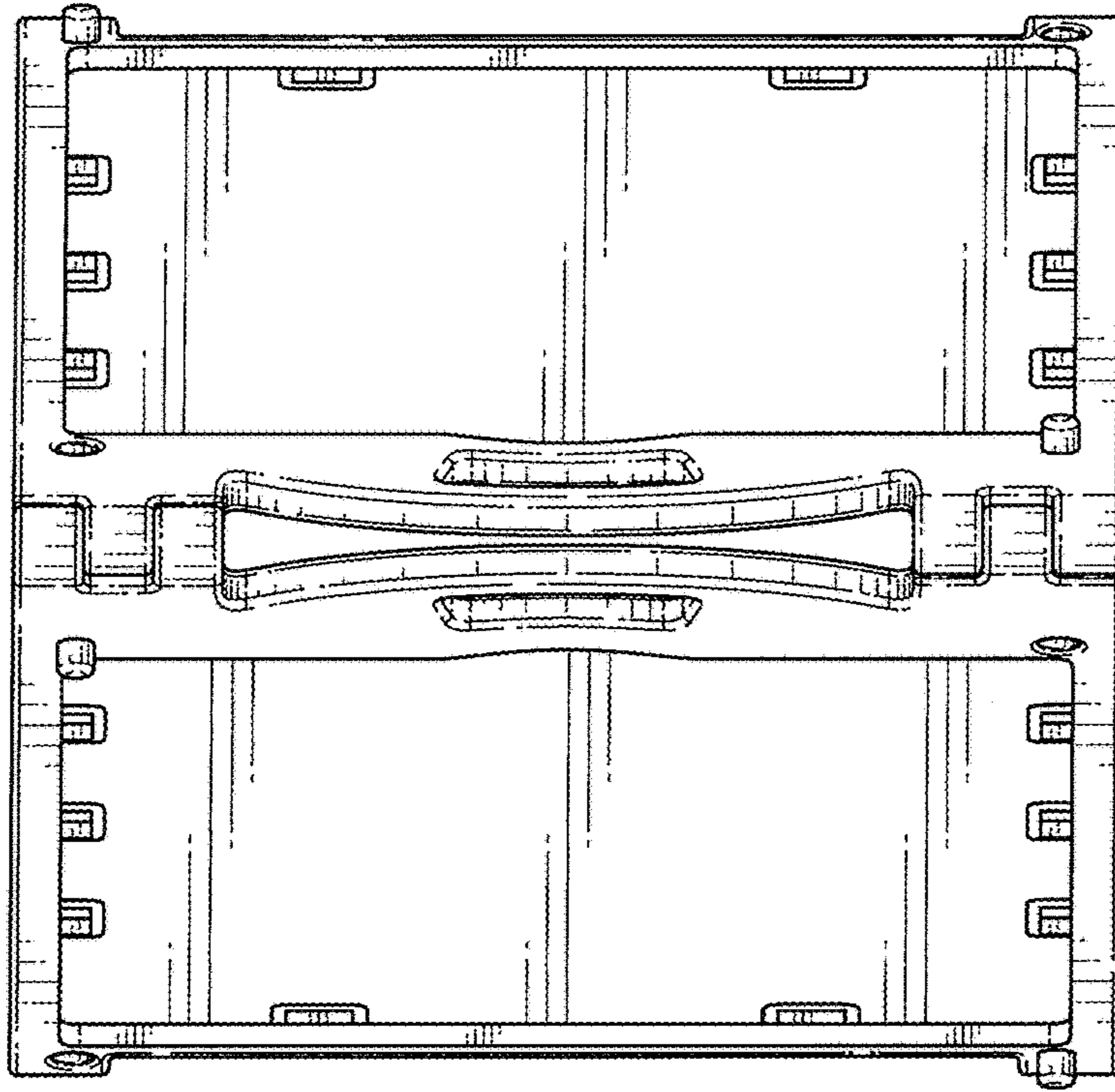


FIG. 6

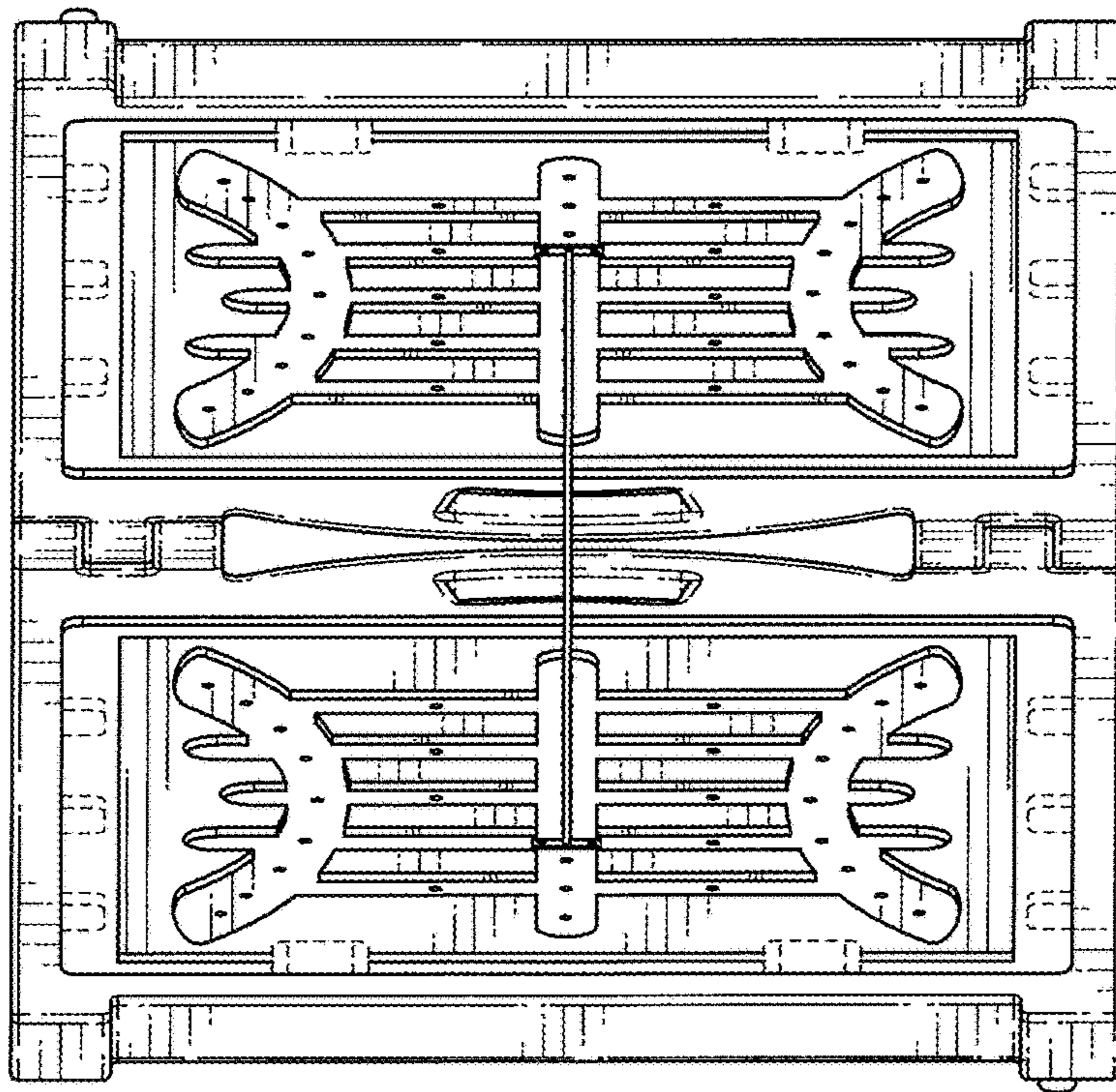


FIG. 7