



US00D817396S

(12) **United States Design Patent**
Carvey et al.

(10) **Patent No.:** **US D817,396 S**

(45) **Date of Patent:** **** May 8, 2018**

(54) **BULLETIN BOARD WITH COMPARTMENT FOR COMPUTER**

(71) Applicant: **General Enchantment LLC**, Newton Centre, MA (US)

(72) Inventors: **Andrew W. Carvey**, Cambridge, MA (US); **Robert Frigault**, Bathurst (CA); **Sarah Housman**, Newton Centre, MA (US)

(73) Assignee: **General Enchantment LLC**, Boston, MA (US)

(**) Term: **15 Years**

(21) Appl. No.: **29/561,465**

(22) Filed: **Apr. 15, 2016**

(51) **LOC (11) Cl.** **19-06**

(52) **U.S. Cl.**
USPC **D19/113**

(58) **Field of Classification Search**
USPC D19/113, 114; D20/10, 19, 39, 40, 41, D20/42; D14/371, 373, 374; D8/395, D8/396

CPC .. B43L 1/00; B43L 1/004; B43L 1/008; B43L 1/10; B43L 1/12; B43L 5/00; G06F 3/041; G06F 3/045; G06F 3/046; G09F 15/00; G09F 15/0006; G09F 15/0012; G09F 15/0018; G09F 15/0056; G09F 2007/1834; G09F 2007/1843; G09F 2007/1847; G09F 7/04

See application file for complete search history.

(56) **References Cited**

U.S. PATENT DOCUMENTS

3,363,341 A * 1/1968 Glassman B43L 1/06 211/90.01
4,437,839 A * 3/1984 Stempel B43L 1/06 108/134

D274,589 S * 7/1984 Christensen D19/113
4,731,960 A * 3/1988 Sease B44C 7/022 160/392
D330,042 S * 10/1992 Yamaguchi D18/36
5,301,477 A * 4/1994 Rellinger A47B 97/001 248/220.21
5,658,635 A * 8/1997 Davis A47B 97/04 40/793
D388,459 S * 12/1997 Jack D19/113
D392,318 S * 3/1998 Jack D19/113
D402,697 S * 12/1998 Rosen D19/113
D404,429 S * 1/1999 Jack D19/113
5,955,170 A * 9/1999 Davis A47B 97/04 211/50
D414,806 S * 10/1999 Bianco D19/113
5,987,825 A * 11/1999 Rosen G09F 15/0068 40/107
6,007,891 A * 12/1999 Davis A47B 97/04 15/141.2
D436,128 S * 1/2001 Keglmaier D19/113
D461,644 S * 8/2002 Ueno D6/302

(Continued)

Primary Examiner — Elizabeth Albert

(74) *Attorney, Agent, or Firm* — Fish & Richardson P.C.

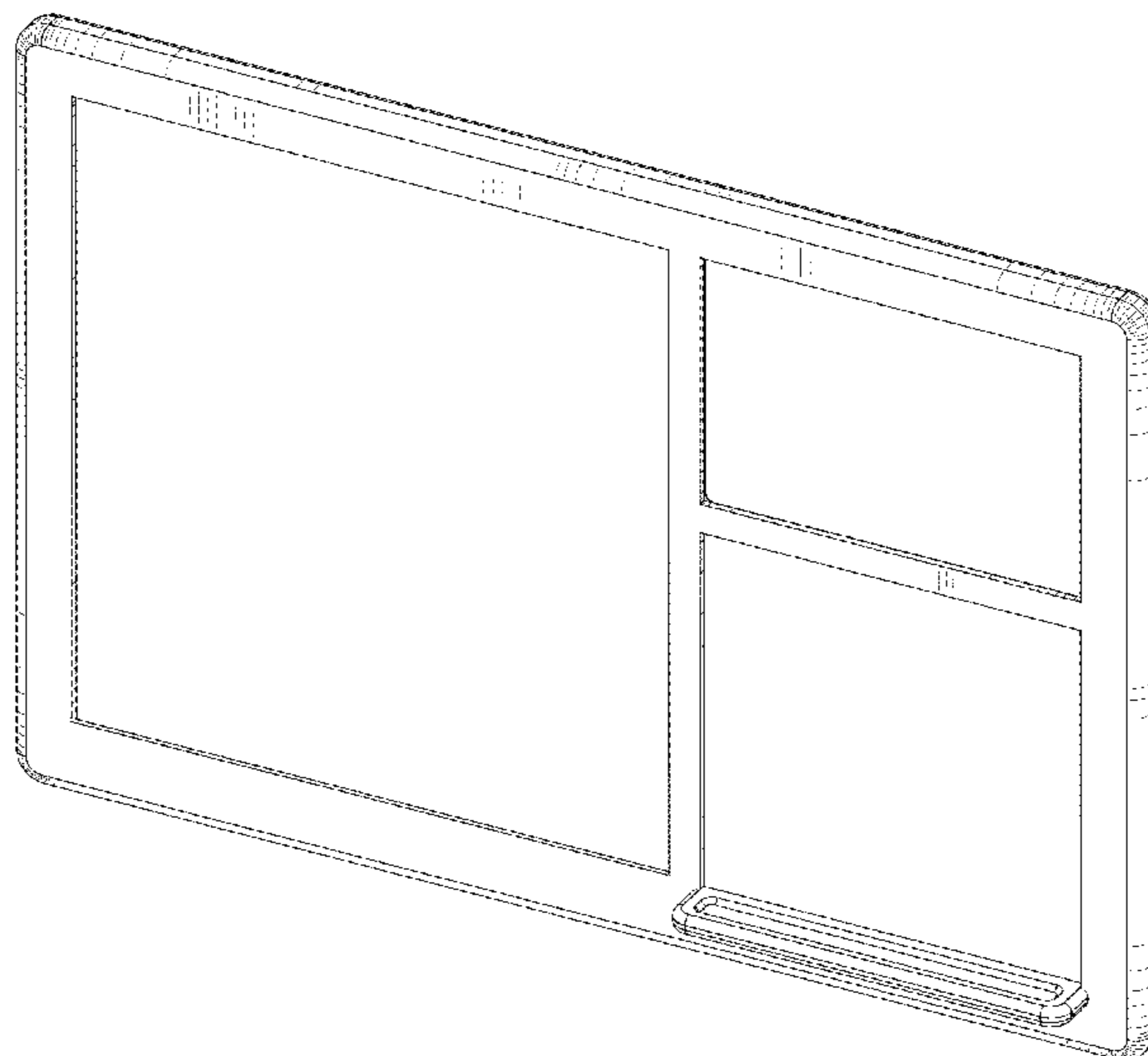
(57) **CLAIM**

The ornamental design for a bulletin board with compartment for computer, substantially as shown and described.

DESCRIPTION

FIG. 1 is a perspective view of a bulletin board with compartment for computer showing our new design.
FIG. 2 is a front elevation view thereof.
FIG. 3 is a left side elevation view thereof.
FIG. 4 is a right side elevation view thereof.
FIG. 5 is a top plan view thereof.
FIG. 6 is a bottom plan view thereof; and,
FIG. 7 is a second perspective view thereof shown at a different angle than in FIG. 1.

1 Claim, 6 Drawing Sheets



(56)

References Cited

U.S. PATENT DOCUMENTS

6,690,912 B1 * 2/2004 Vaughn B43L 1/00
434/308
7,260,904 B1 * 8/2007 Boisseau G09D 3/00
40/107
D648,793 S * 11/2011 Nash D19/113
D672,817 S * 12/2012 Butmir D19/113
D683,403 S * 5/2013 Vasconcelos D19/113
D702,245 S * 4/2014 Susman D14/453
D705,356 S * 5/2014 Kang D19/113
D708,669 S * 7/2014 Sharma D19/113
8,872,772 B2 * 10/2014 Thompson G06F 3/03545
178/18.01
D762,772 S * 8/2016 Tsuruoka D14/371

* cited by examiner

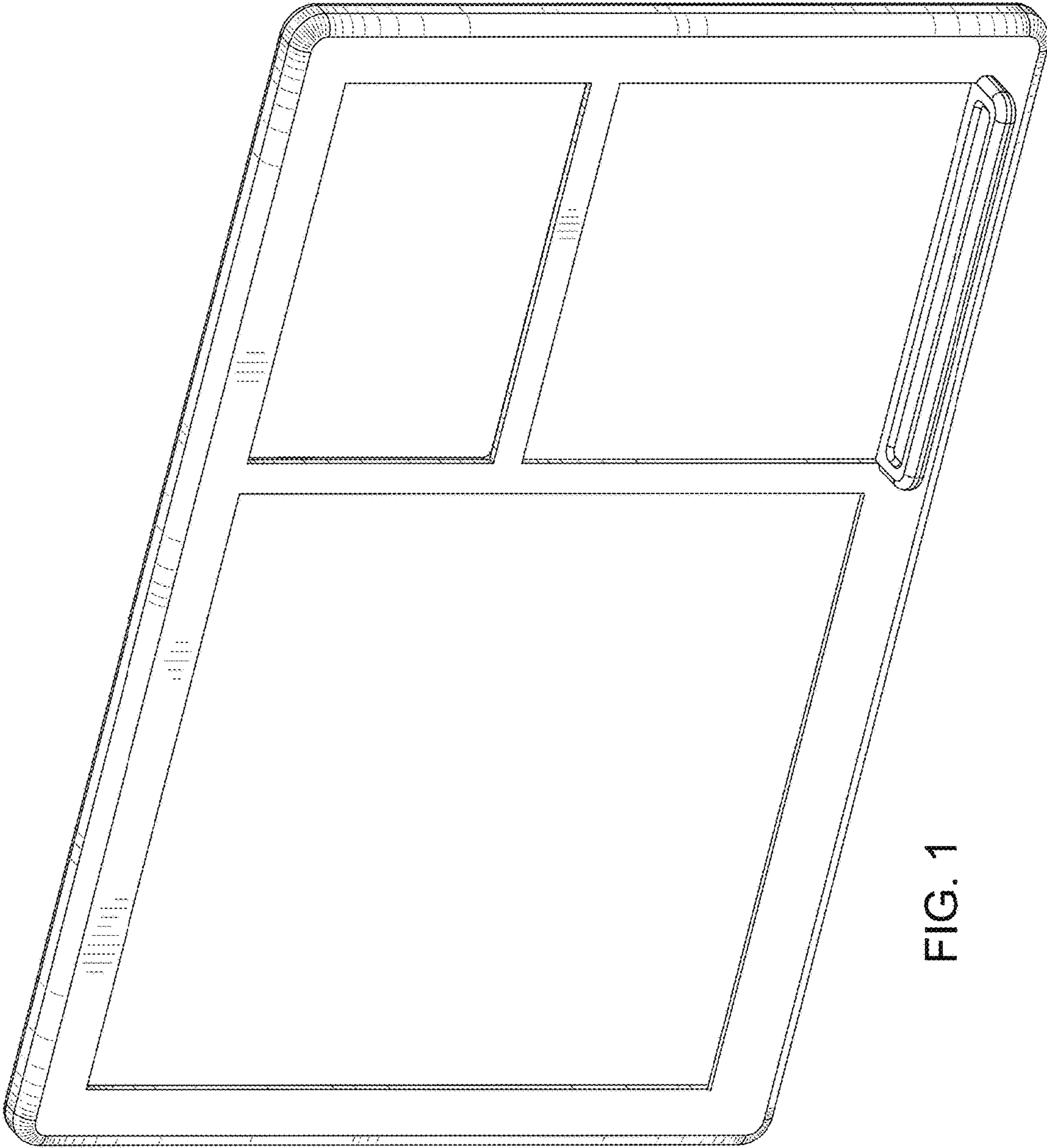


FIG. 1

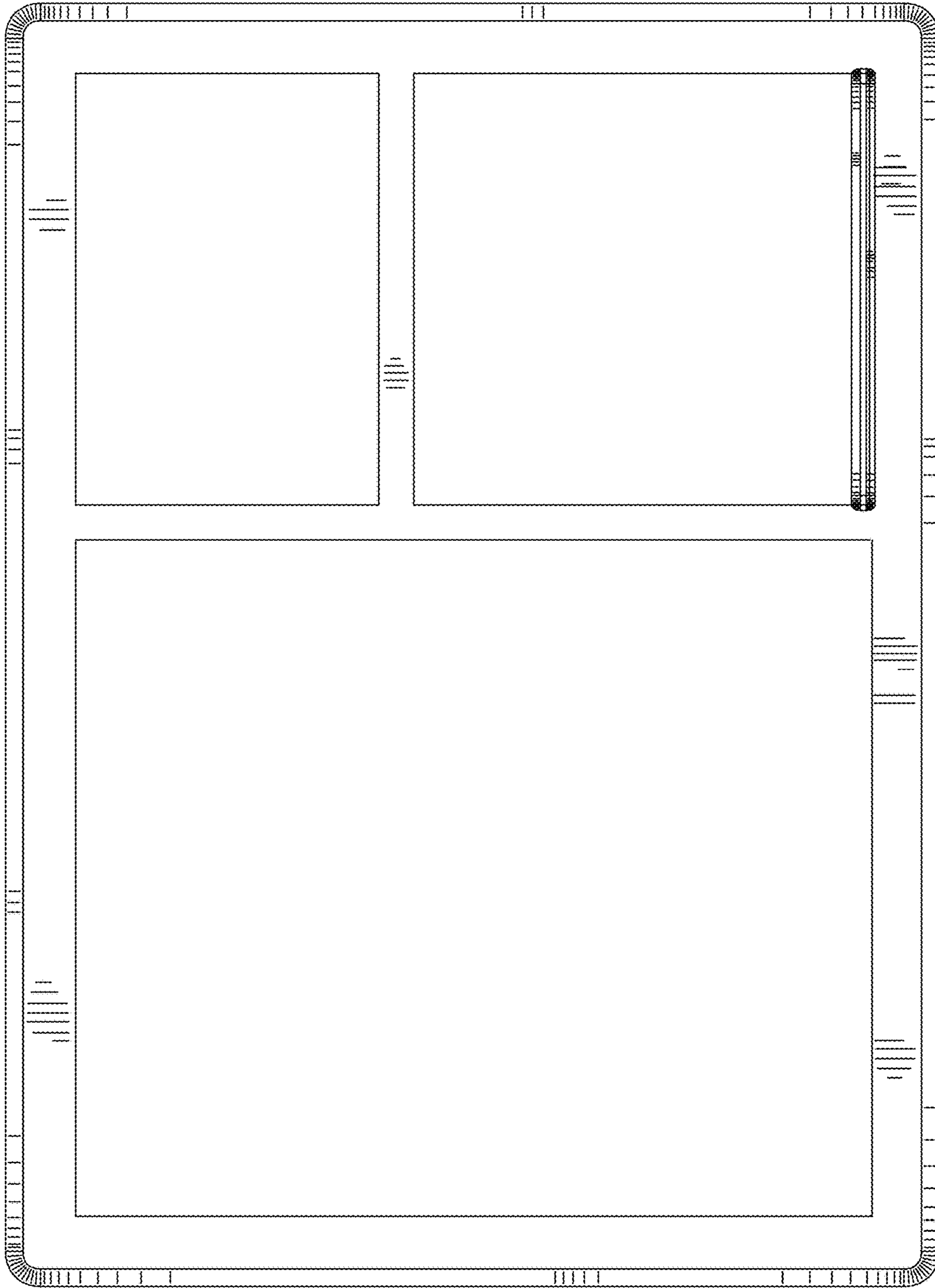


FIG. 2

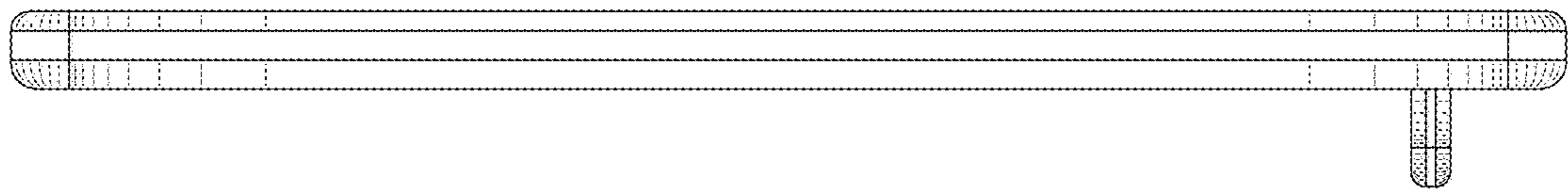


FIG. 4

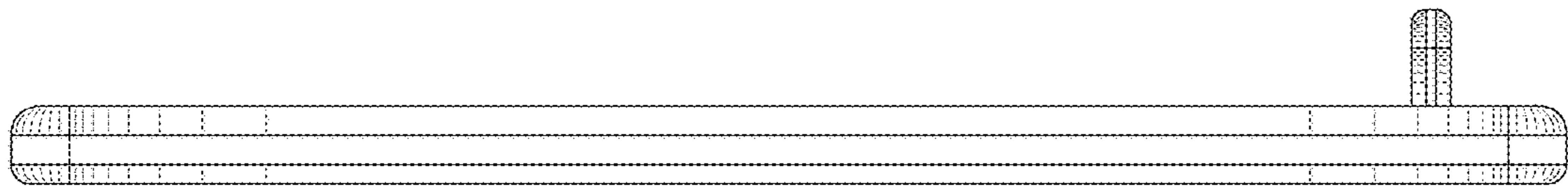


FIG. 3

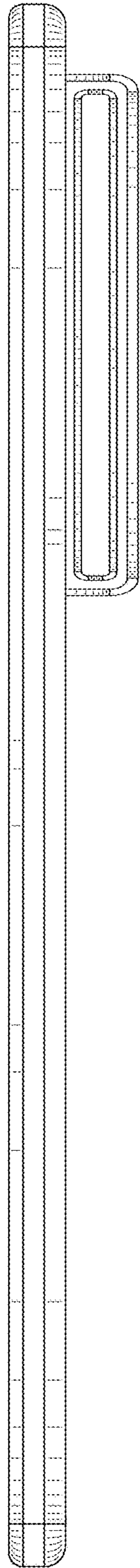


FIG. 5

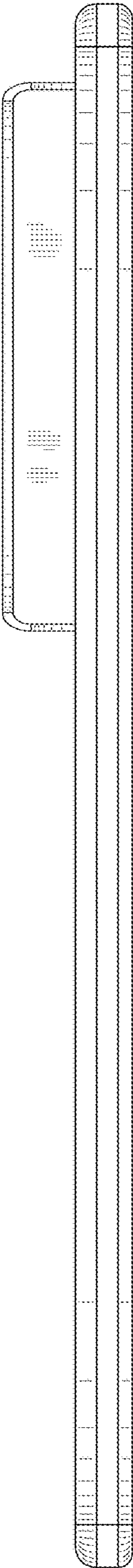


FIG. 6

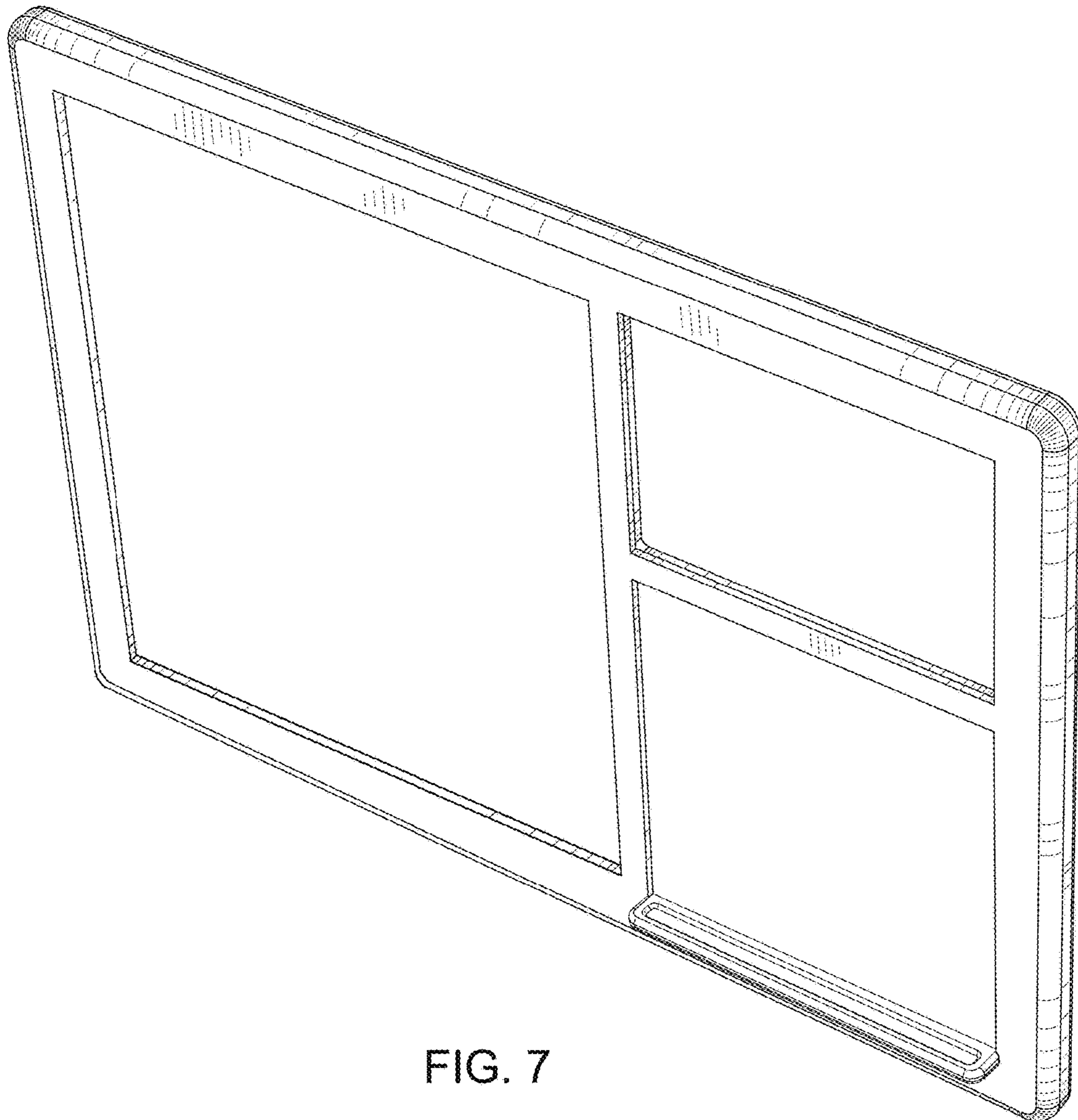


FIG. 7