



US00D817394S

(12) **United States Design Patent** (10) **Patent No.:** **US D817,394 S**
Seferi (45) **Date of Patent:** **** May 8, 2018**

(54) **GLUE PEN**
(71) Applicant: **Acme United Corporation**, Fairfield, CT (US)
(72) Inventor: **Nicholas L. Seferi**, Southbury, CT (US)
(73) Assignee: **Acme United Corporation**, Fairfield, CT (US)
(**) Term: **15 Years**
(21) Appl. No.: **29/587,404**
(22) Filed: **Dec. 13, 2016**
(51) **LOC (11) Cl.** **19-99**
(52) **U.S. Cl.**
USPC **D19/66**
(58) **Field of Classification Search**
USPC D8/14, 29.1, 30, 51, 56, 61; D19/66;
D24/107, 133, 144
CPC B27G 11/00; B27G 11/005; B27G 11/02
See application file for complete search history.

6,056,165 A 5/2000 Speranza
6,065,888 A 5/2000 Maayeh
6,066,689 A 5/2000 Columbus et al.
6,105,824 A 8/2000 Singleton
D433,301 S 11/2000 Pack
(Continued)

OTHER PUBLICATIONS

Glue Gun| Westcott Glue Gun| posted at Amazon.com, posted on May 1, 2017, © 1996-2017 Amazon.com, [online], [site visited Aug. 29, 2017]. Available from Internet, <URL:https://www.amazon.com/Westcott-Premium-Hot-Glue-16761/dp/B06XY7R7KD/ref=sr_1_2?ie=UTF8&qid=1504207475&sr=8-2&keywords=westcott+glue+gun>.*

Primary Examiner — Daniel Bui
Assistant Examiner — Andrew Kerr
(74) *Attorney, Agent, or Firm* — Alix, Yale & Ristas, LLP

(57) **CLAIM**

The ornamental design for a glue pen, as shown and described.

(56) **References Cited**

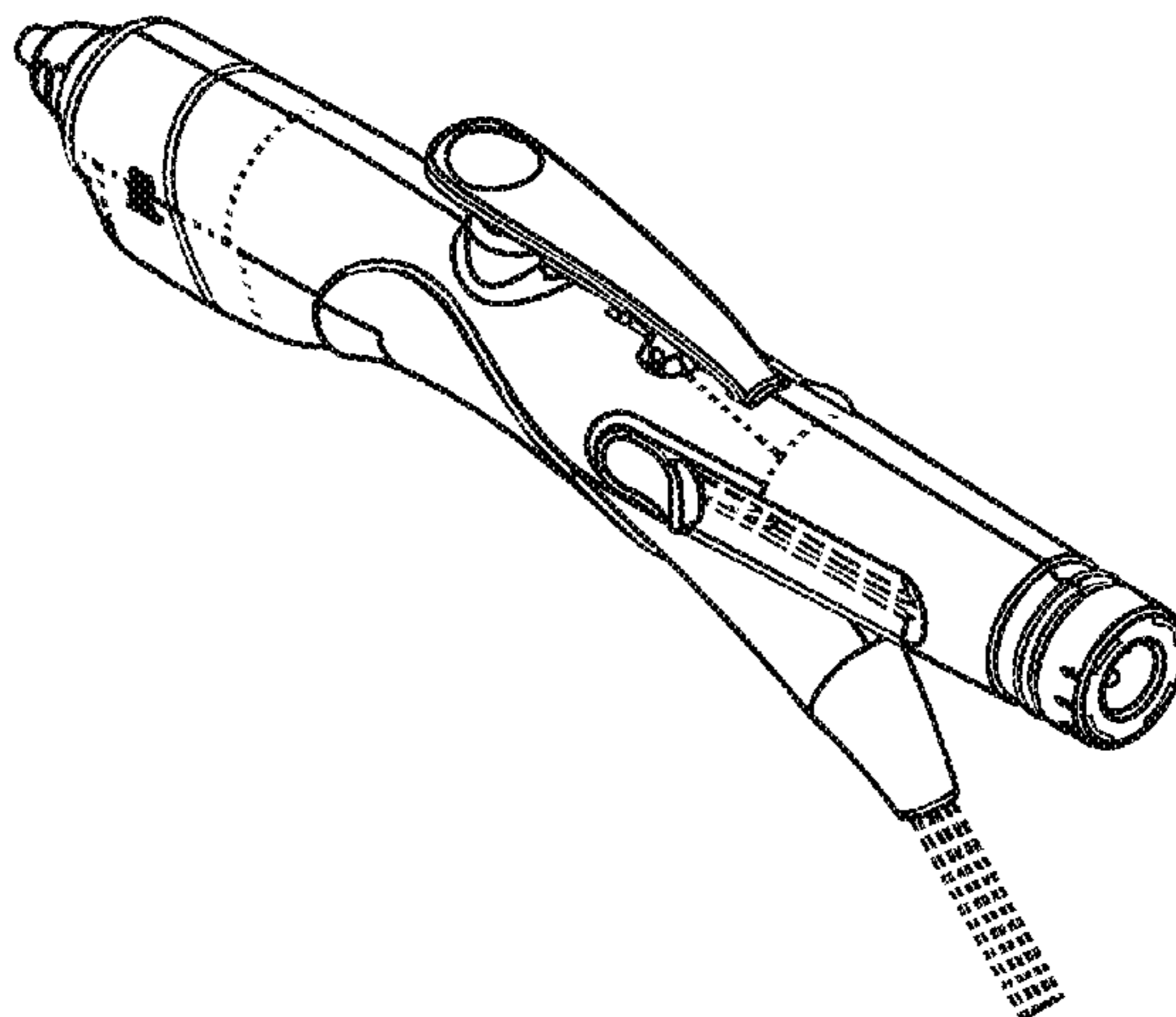
U.S. PATENT DOCUMENTS

D315,283 S	3/1991	De Carolis et al.	
D316,215 S	4/1991	Belanger	
D370,396 S *	6/1996	Belanger	D8/14.1
D398,204 S *	9/1998	Lee	D8/14.1
D399,719 S	10/1998	Mignanelli	
D402,518 S	12/1998	Lee	
D404,622 S	1/1999	Singleton	
D406,992 S	3/1999	Cheng	
5,876,502 A	3/1999	Sugimura et al.	
5,881,912 A	3/1999	Bokros	
5,881,923 A	3/1999	Bokros	
5,881,924 A	3/1999	Bokros	
5,895,159 A	4/1999	Liou	
5,901,881 A	5/1999	Wang	
D412,432 S	8/1999	Bokros	
D412,650 S	8/1999	Bokros	
D414,663 S	10/1999	Bokros	
5,984,246 A	11/1999	Gardner	
5,988,445 A	11/1999	Massena	

DESCRIPTION

FIG. 1 is a perspective view of a glue pen showing my new design;
FIG. 2 is another perspective view thereof;
FIG. 3 is a front elevation view thereof;
FIG. 4 is a rear elevation view thereof;
FIG. 5 is a top plan view thereof;
FIG. 6 is a bottom plan view thereof;
FIG. 7 is a left side elevation view thereof; and,
FIG. 8 is a right side elevation view thereof.
Certain nozzle portions, cord portions, button actuator portions, rivet portions and contour transition line portions have been reduced to broken lines.
The broken lines in the drawing views are included for the purpose of illustrating unclaimed environment only, and form no part of the claimed design.

1 Claim, 4 Drawing Sheets



(56)

References Cited

U.S. PATENT DOCUMENTS

6,202,892 B1	3/2001	Lasko			
6,268,413 B1	7/2001	Columbus et al.			
D455,620 S	4/2002	Lee			
6,412,667 B1	7/2002	Huang			
6,457,889 B1	10/2002	Lin			
D469,670 S	2/2003	Belanger			
D474,949 S	5/2003	Schaffeld et al.			
6,558,059 B1	5/2003	Hillinger et al.			
6,652,175 B2	11/2003	Chang			
6,747,251 B1	6/2004	Belanger			
6,766,923 B1	7/2004	Huang			
D496,239 S	9/2004	Levine et al.			
6,820,768 B2 *	11/2004	Belanger	B05C 17/00526		
			222/146.5		
D505,845 S	6/2005	Lin et al.			
D510,243 S	10/2005	Lee			
D511,077 S	11/2005	Huang			
D514,406 S	2/2006	Lee			
D514,408 S	2/2006	Melendy et al.			
D517,880 S	3/2006	Melendy et al.			
D535,167 S *	1/2007	Monfeli	D8/14.1		
D554,960 S	11/2007	Deal et al.			
D557,605 S	12/2007	Reber, II et al.			
D576,458 S	9/2008	Arns			
D590,674 S	4/2009	Belanger			
7,520,408 B1	4/2009	Smith et al.			
D594,556 S *	6/2009	Kagawa	D24/152		
7,776,173 B2	8/2010	Schumacher et al.			
D671,385 S	11/2012	Yung-Kuan			
D714,866 S	10/2014	Heipp et al.			
D719,038 S	12/2014	Heipp et al.			
D724,400 S	3/2015	Filian et al.			
D740,630 S *	10/2015	Hasenmayer	D8/30		
D741,127 S *	10/2015	Hasenmayer	D8/30		
D741,128 S *	10/2015	Hasenmayer	D8/30		
D744,305 S	12/2015	Huang			
D748,444 S	2/2016	Huang			
2002/0192005 A1	12/2002	Chang			
2004/0232165 A1	11/2004	Lee			
2006/0196888 A1	9/2006	Agronin et al.			
2008/0197155 A1	8/2008	Liang			
2008/0223511 A1	9/2008	Schumacher et al.			
2011/0056994 A1	3/2011	Yen			
2015/0209820 A1	7/2015	Ono			

* cited by examiner

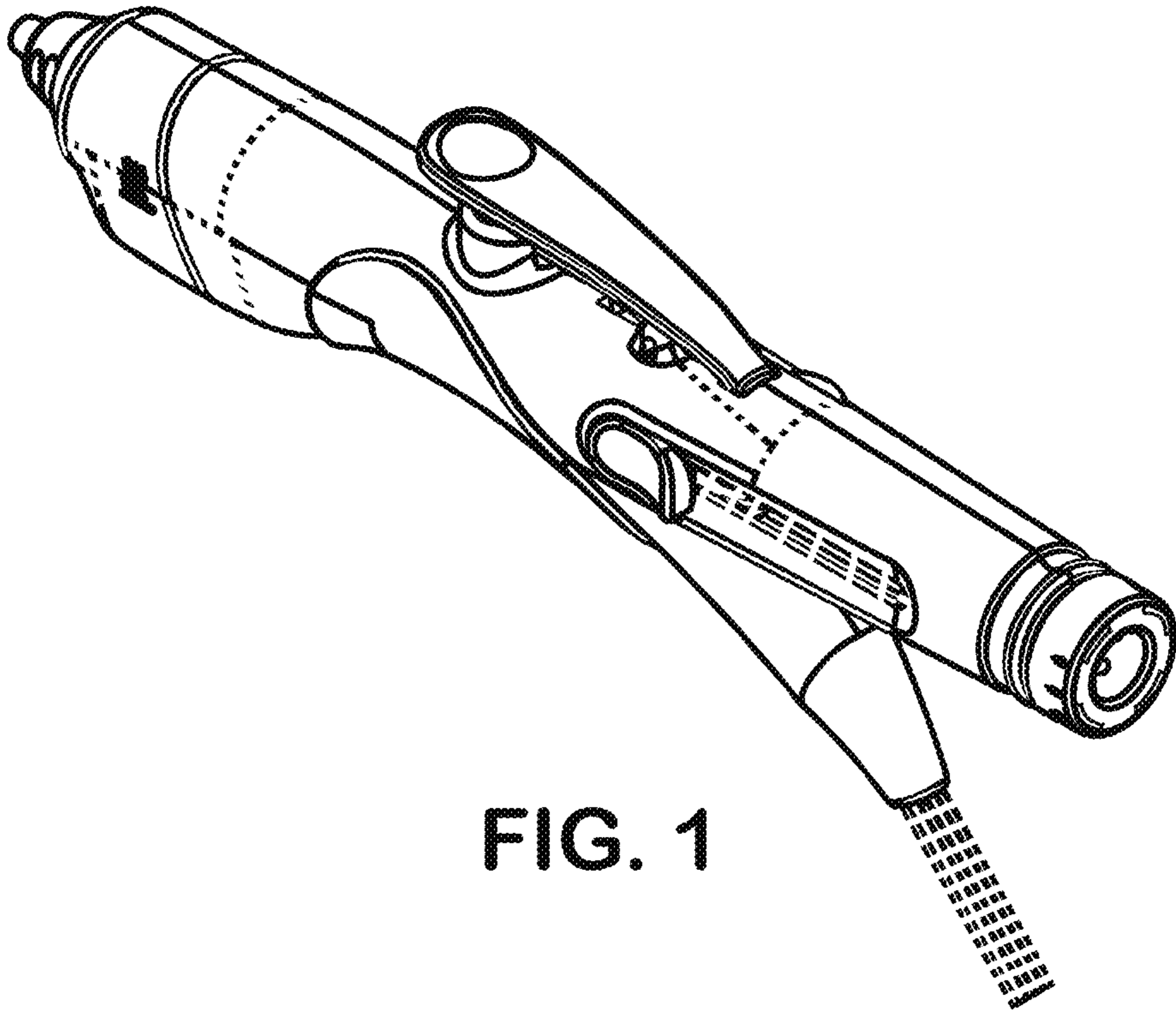


FIG. 1

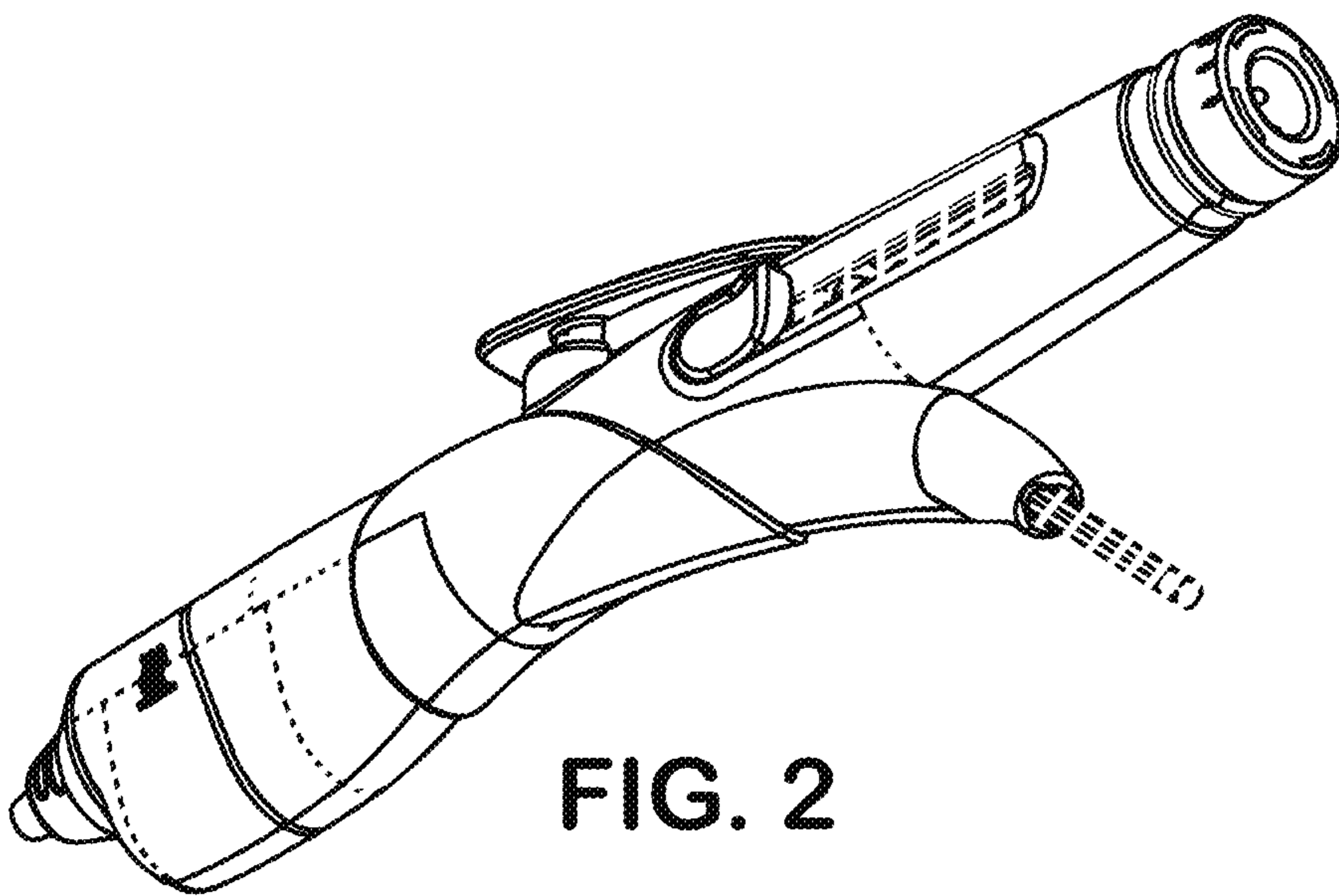


FIG. 2

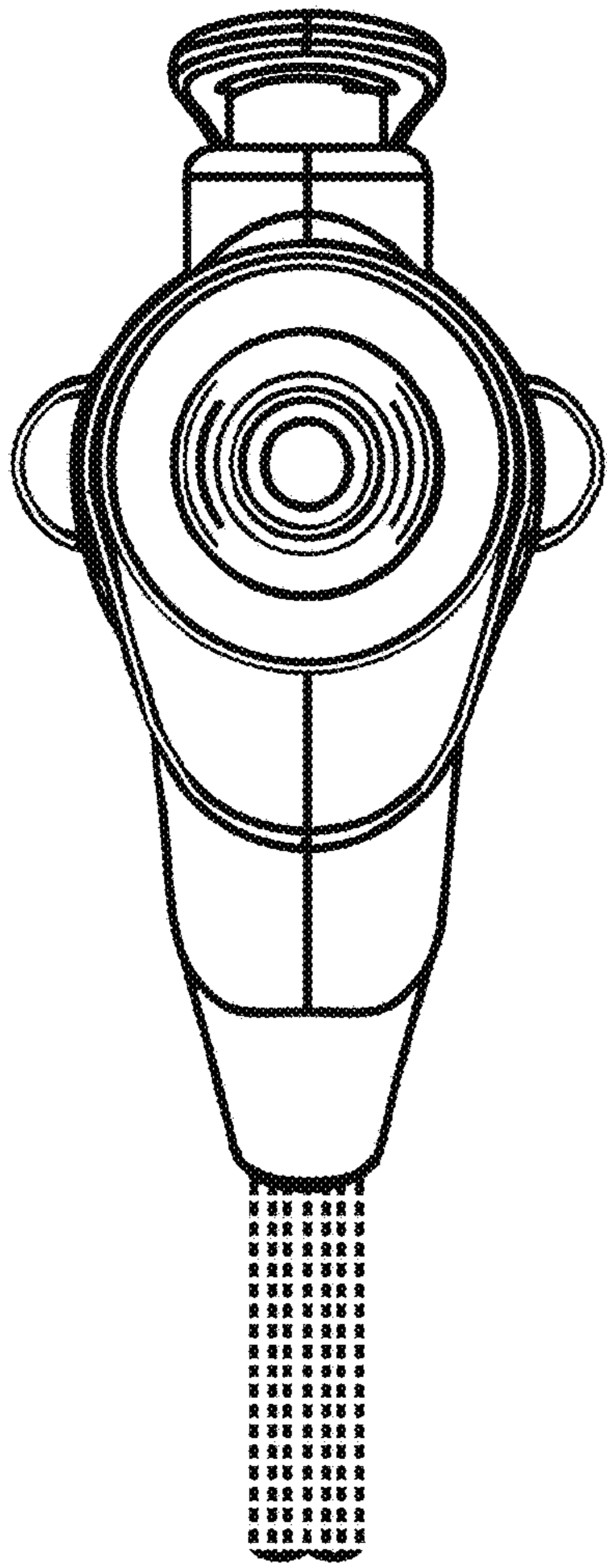


FIG. 3

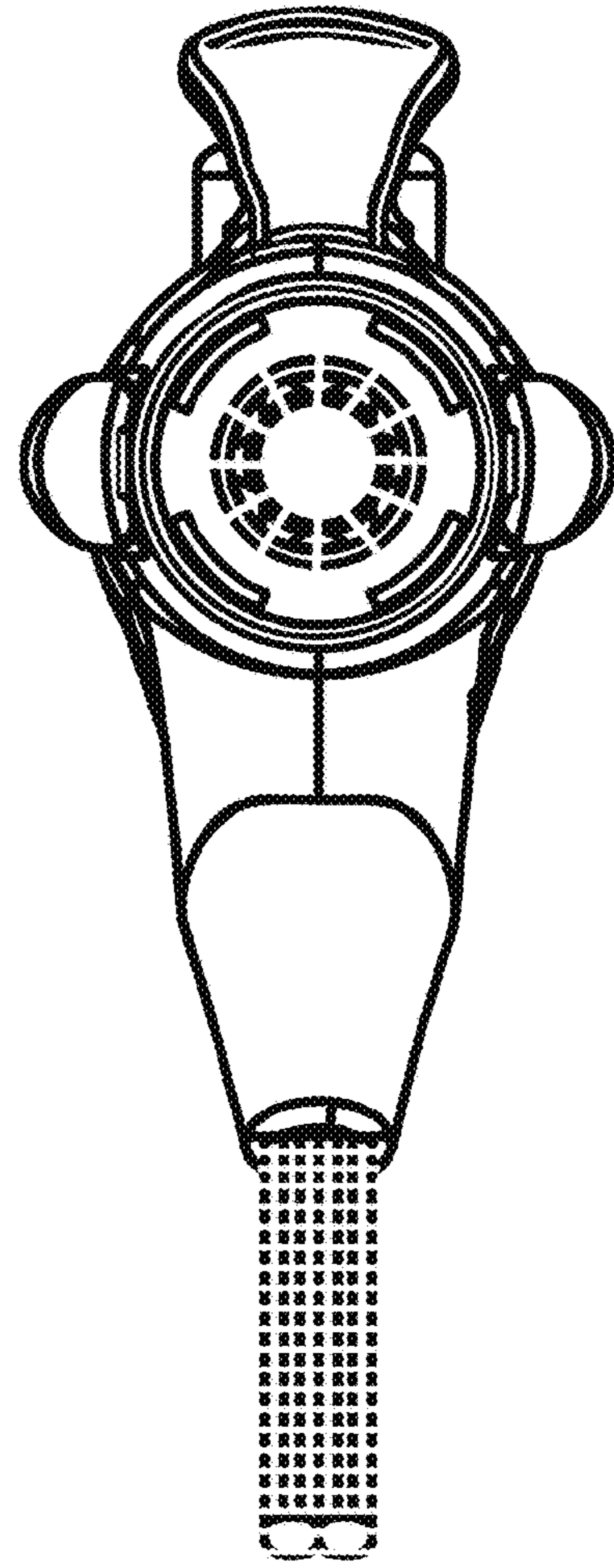


FIG. 4

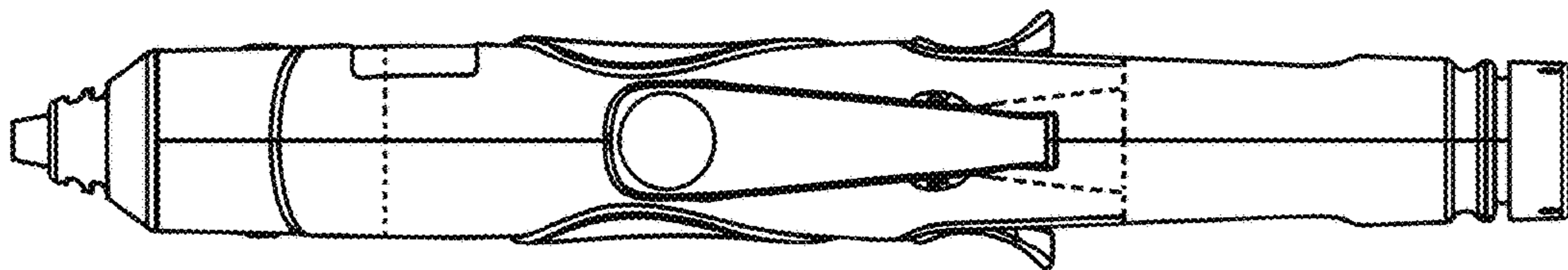


FIG. 5

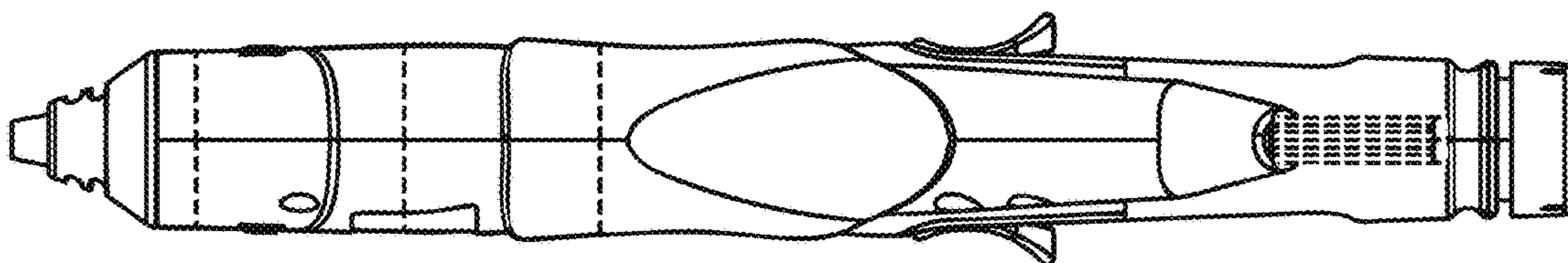


FIG. 6

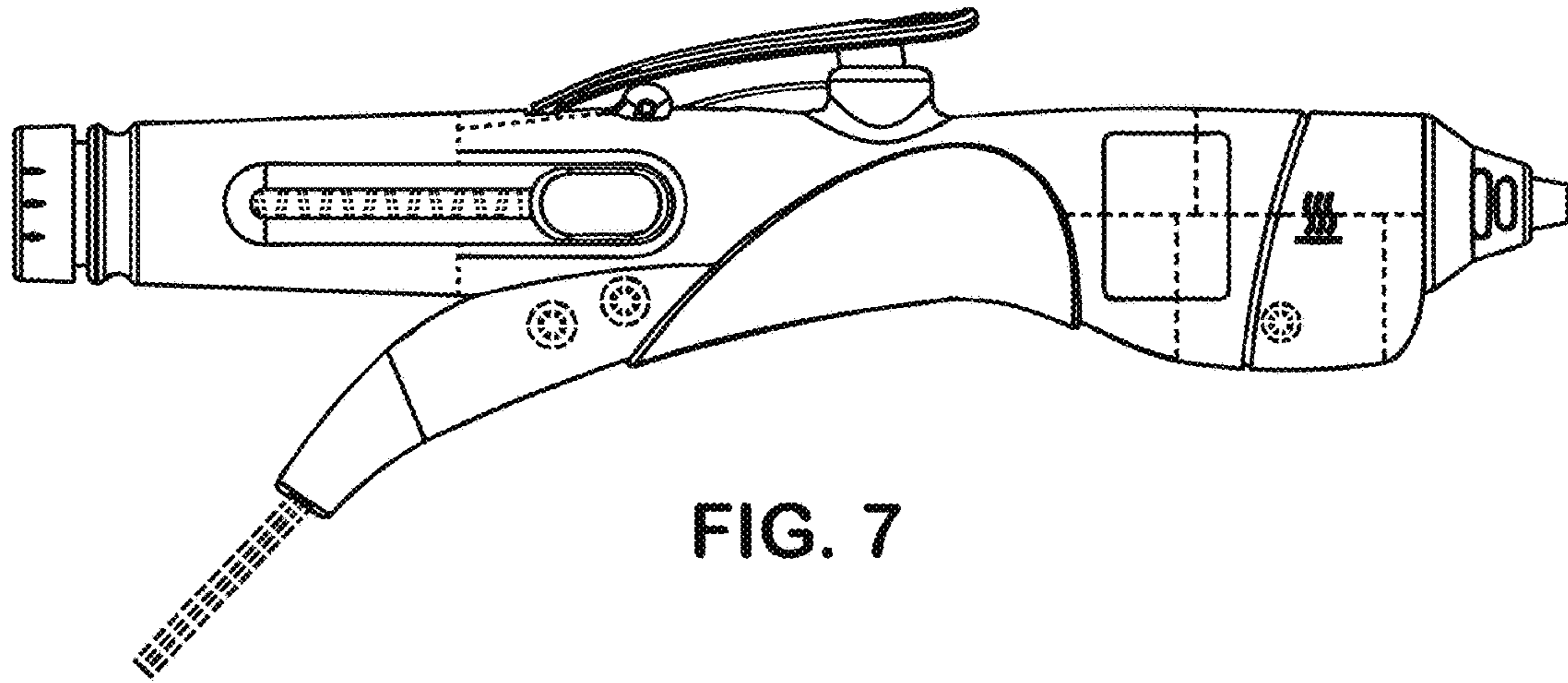


FIG. 7

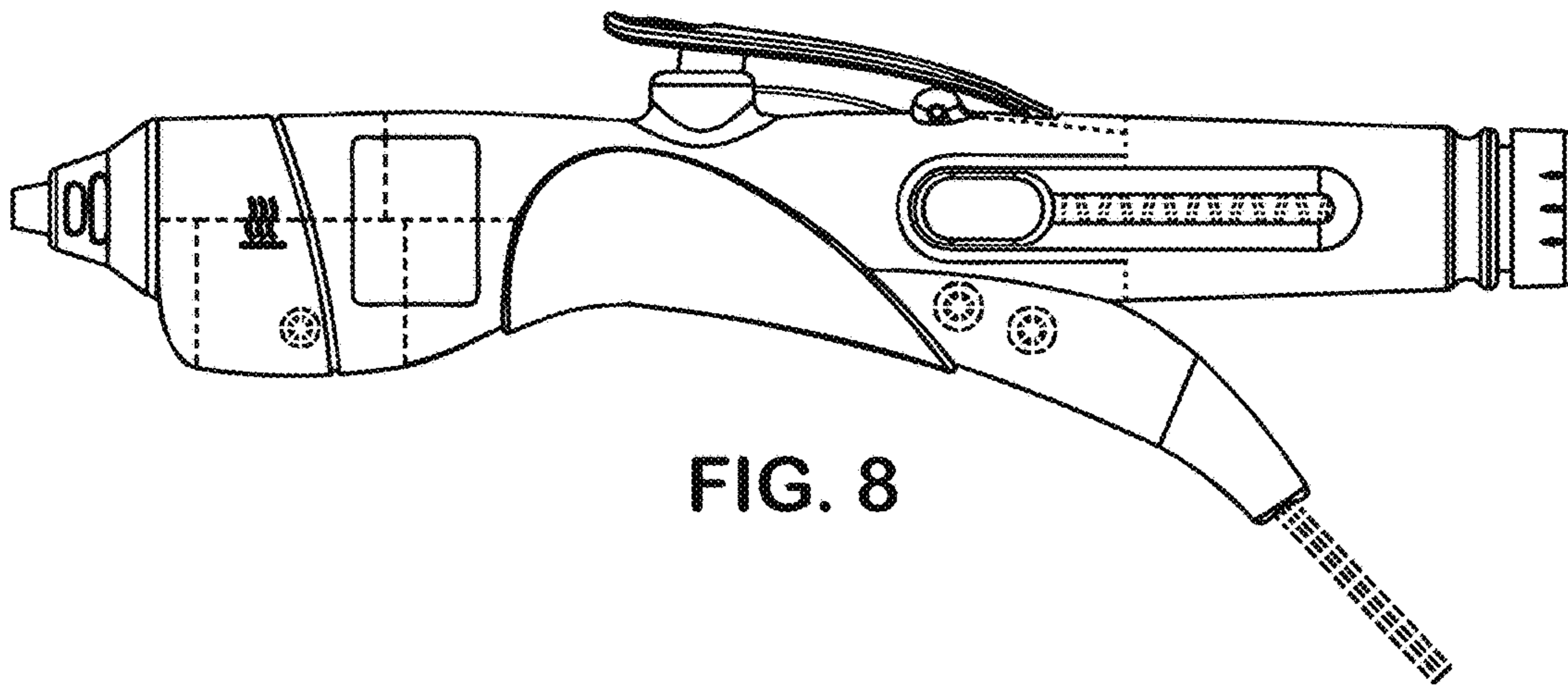


FIG. 8