



US00D817392S

(12) **United States Design Patent** (10) **Patent No.:** **US D817,392 S**  
**Koizumi et al.** (45) **Date of Patent:** **\*\* May 8, 2018**

(54) **INK CARTRIDGE**  
(71) Applicant: **SEIKO EPSON CORPORATION**,  
Tokyo (JP)  
(72) Inventors: **Yoshihiro Koizumi**, Shiojiri (JP); **Koji Kawai**, Shiojiri (JP); **Manabu Akahane**, Tatsuno-machi (JP); **Yusuke Kimura**, Matsumoto (JP)  
(73) Assignee: **SEIKO EPSON CORPORATION**,  
Tokyo (JP)

D373,381 S \* 9/1996 Altendorf ..... 347/87  
6,151,052 A \* 11/2000 Yang ..... B41J 2/17503  
347/87  
D450,080 S \* 11/2001 Ashikari ..... D18/40  
D559,893 S \* 1/2008 Kouroku ..... D18/40  
D594,507 S \* 6/2009 Kinoshita ..... D18/43  
D612,417 S \* 3/2010 Harada ..... D18/56  
D682,931 S 5/2013 Aoki et al.  
D694,321 S \* 11/2013 Hattori ..... D18/56  
D712,458 S \* 9/2014 Takiguchi ..... D18/43  
9,616,671 B2 \* 4/2017 Koizumi ..... B41J 2/1752

(\*\*) Term: **15 Years**  
(21) Appl. No.: **29/585,743**  
(22) Filed: **Nov. 29, 2016**

**FOREIGN PATENT DOCUMENTS**

JP D1449079 S 8/2012

\* cited by examiner

*Primary Examiner* — Garth Rademaker  
*Assistant Examiner* — Richard Kearney

(30) **Foreign Application Priority Data**

May 31, 2016 (JP) ..... 2016-011503  
May 31, 2016 (JP) ..... 2016-011504

(57) **CLAIM**

The ornamental design for an ink cartridge, as shown and described.

(51) **LOC (11) Cl.** ..... **18-02**  
(52) **U.S. Cl.**

**DESCRIPTION**

USPC ..... **D18/56**  
(58) **Field of Classification Search**  
USPC ..... D14/471, 483, 484; D18/12, 18, 36, 40,  
D18/43, 44, 56, 58, 99  
CPC . B41J 2/17; B41J 2/1721; B41J 2/1572; B41J  
2/1754; B41J 2/17503; B41J 2/17553;  
B41J 2/17556; B41J 2/16547  
See application file for complete search history.

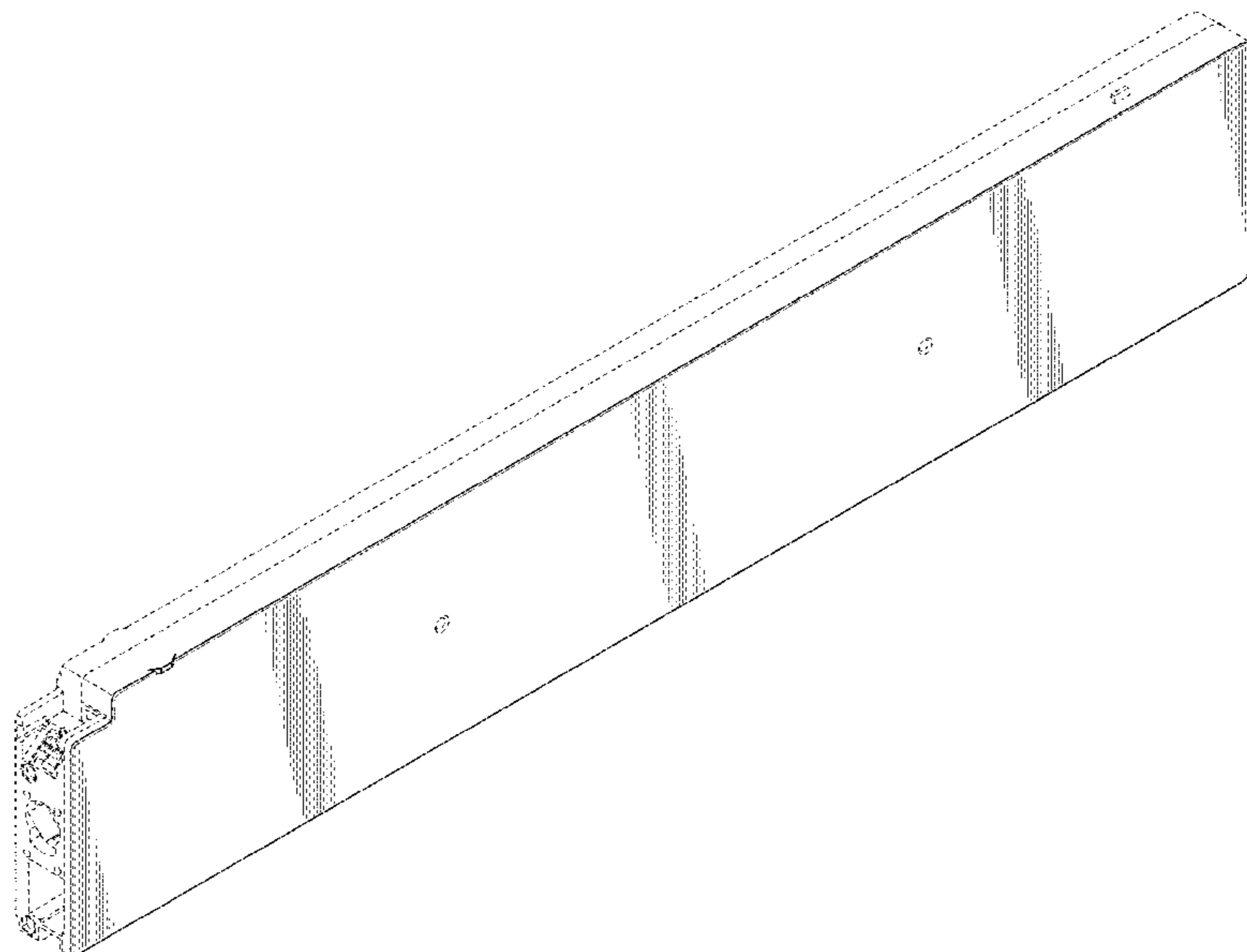
FIG. 1 is a front, top and right side perspective view of an ink cartridge showing our new design;  
FIG. 2 is a rear, bottom, and left side perspective view thereof;  
FIG. 3 is a right side view thereof;  
FIG. 4 is a left side view thereof;  
FIG. 5 is a front view thereof;  
FIG. 6 is a rear view thereof;  
FIG. 7 is a top plan view thereof; and,  
FIG. 8 is a bottom plan view thereof.  
Broken lines illustrate portions of the ink cartridge and form no part of the claimed design.

(56) **References Cited**

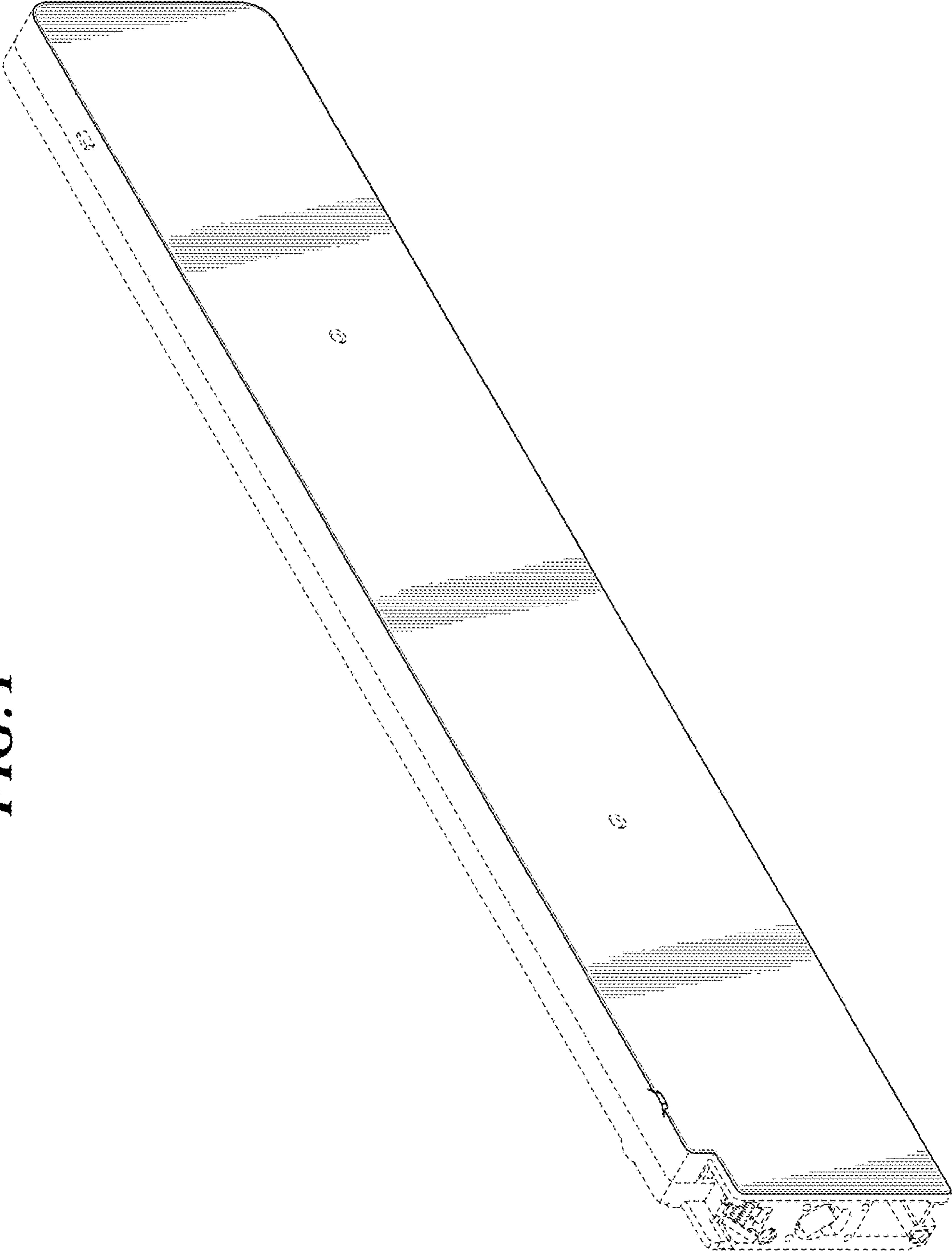
**U.S. PATENT DOCUMENTS**

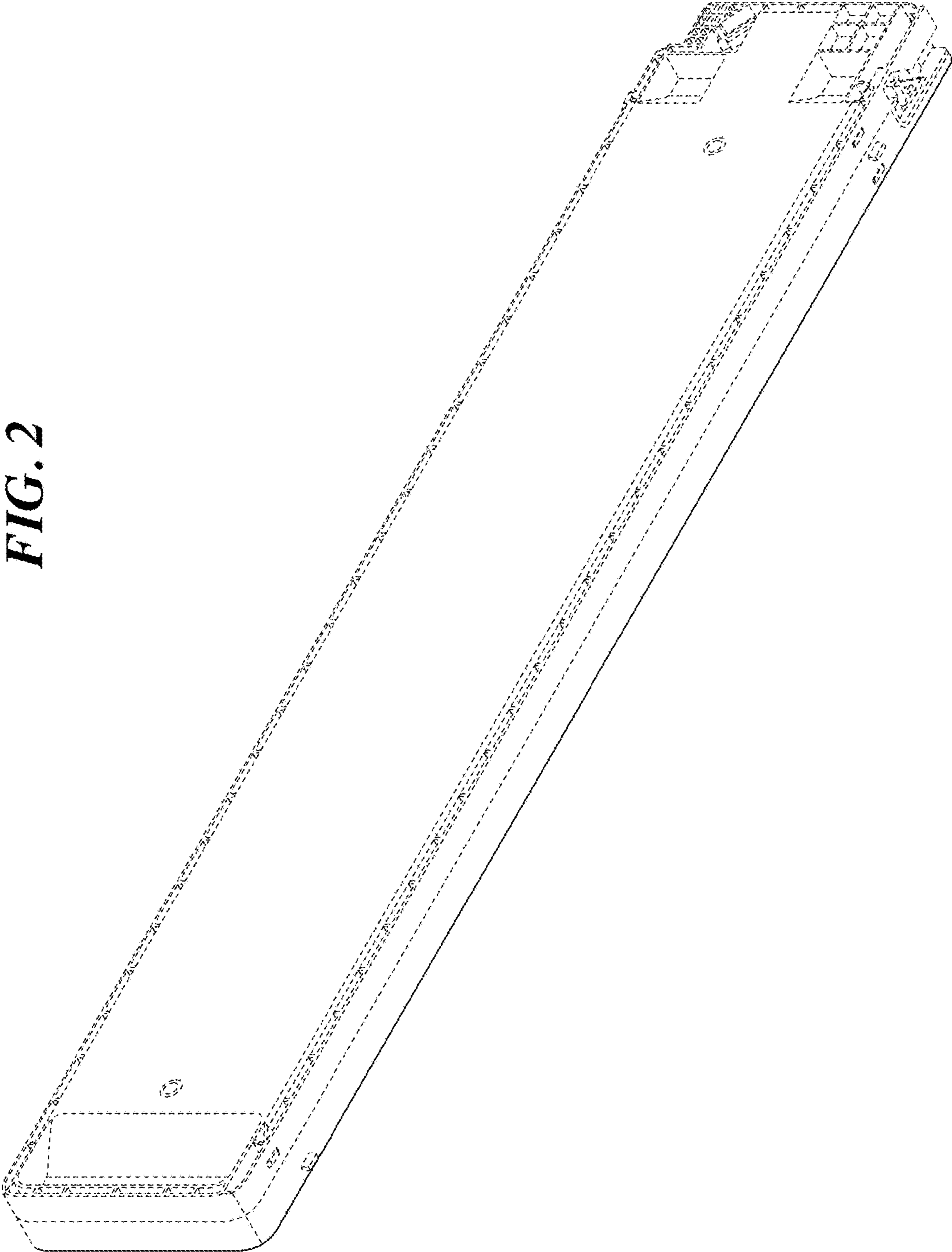
D273,788 S \* 5/1984 Ault ..... D14/455  
D313,426 S \* 1/1991 Berriman ..... D18/56

**1 Claim, 8 Drawing Sheets**



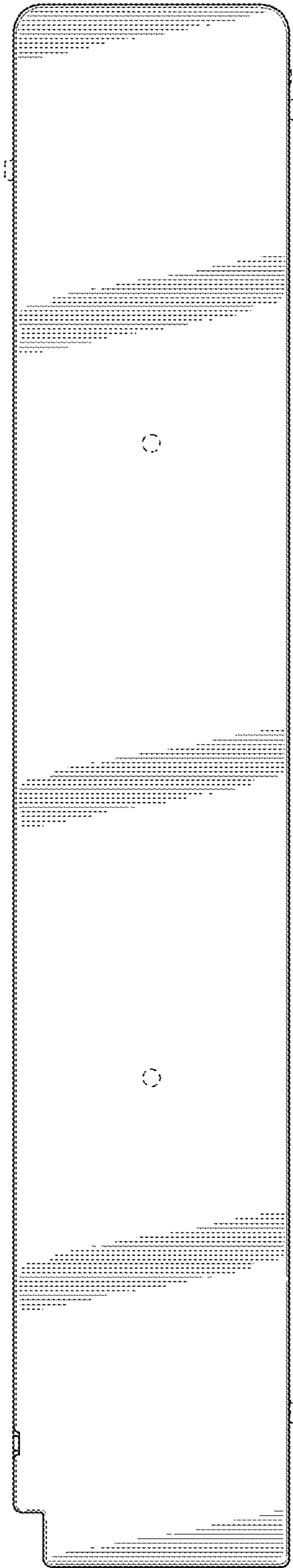
**FIG. 1**



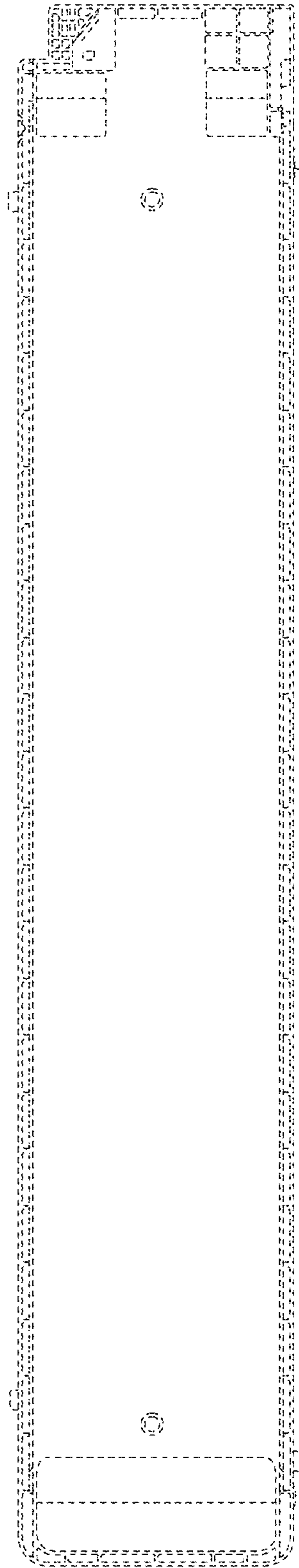


**FIG. 2**

**FIG. 3**



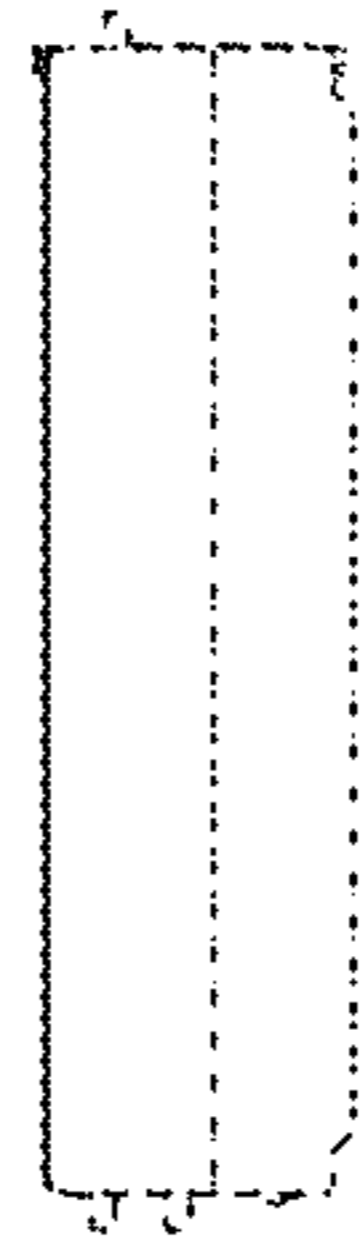
**FIG. 4**



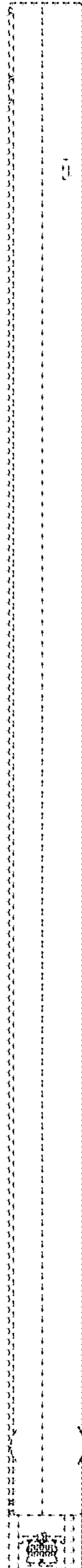
***FIG. 5***



***FIG. 6***



***FIG. 7***





**FIG. 8**

