



US00D817391S

(12) **United States Design Patent** (10) **Patent No.:** **US D817,391 S**
Chin et al. (45) **Date of Patent:** **** May 8, 2018**

(54) **PRINTER**

D760,317 S * 6/2016 Brighenti D18/55
D782,570 S * 3/2017 Francke D18/56
D786,963 S * 5/2017 Mycroft D18/50

(71) Applicant: **Hewlett-Packard Development Company, L.P.**, Houston, TX (US)

(72) Inventors: **Chung Chiet Edwin Chin**, Singapore (SG); **Chun Long Goh**, Singapore (SG)

(73) Assignee: **Hewlett-Packard Development Company, L.P.**, Houston, TX (US)

(**) Term: **15 Years**

(21) Appl. No.: **29/556,993**

(22) Filed: **Mar. 4, 2016**

(51) **LOC (11) Cl.** **08-02**

(52) **U.S. Cl.**
USPC **D18/55**

(58) **Field of Classification Search**
USPC D18/12, 14, 18, 19, 36, 37, 38, 39, 43, D18/50, 54, 54.1, 55, 56, 99; D14/420, D14/421, 422, 423, 424, 425, 462, 463, D14/464, 465, 466, 467, 668, 469, 470, D14/480.5, 483, 484
CPC . B41J 31/16; B41J 32/02; B41J 19/202; B41J 29/377; B41J 15/042; B41J 3/4075; B41J 11/58; B41J 15/12; B41J 29/02; B41J 17/00

See application file for complete search history.

(56) **References Cited**

U.S. PATENT DOCUMENTS

D530,738 S * 10/2006 Tay D18/55
D680,161 S * 4/2013 Goh D18/50
D680,162 S * 4/2013 Goh D14/421
D681,108 S * 4/2013 Lim D18/50
D706,269 S * 6/2014 Qian D14/422
D718,314 S * 11/2014 Chan D14/422

OTHER PUBLICATIONS

HP OfficeJet Pro 8216 Printer, [online], [site visited Aug. 17, 2017]. Available from Internet, URL:<http://store.hp.com/us/en/pdp/hp-officejet-pro-8216-printer>.*

* cited by examiner

Primary Examiner — Caron D Veynar

Assistant Examiner — Katrina N Gonzalez

(74) *Attorney, Agent, or Firm* — Morgan Lewis & Bockius LLP

(57) **CLAIM**

The ornamental design for a printer, as shown and described.

DESCRIPTION

FIG. 1 is a front, left, top, perspective view of a printer showing our new design;

FIG. 2 is a front, right, top, perspective view of the printer shown in FIG. 1;

FIG. 3 is a front elevational view of the printer shown in FIG. 1;

FIG. 4 is a rear elevational view of the printer shown in FIG. 1;

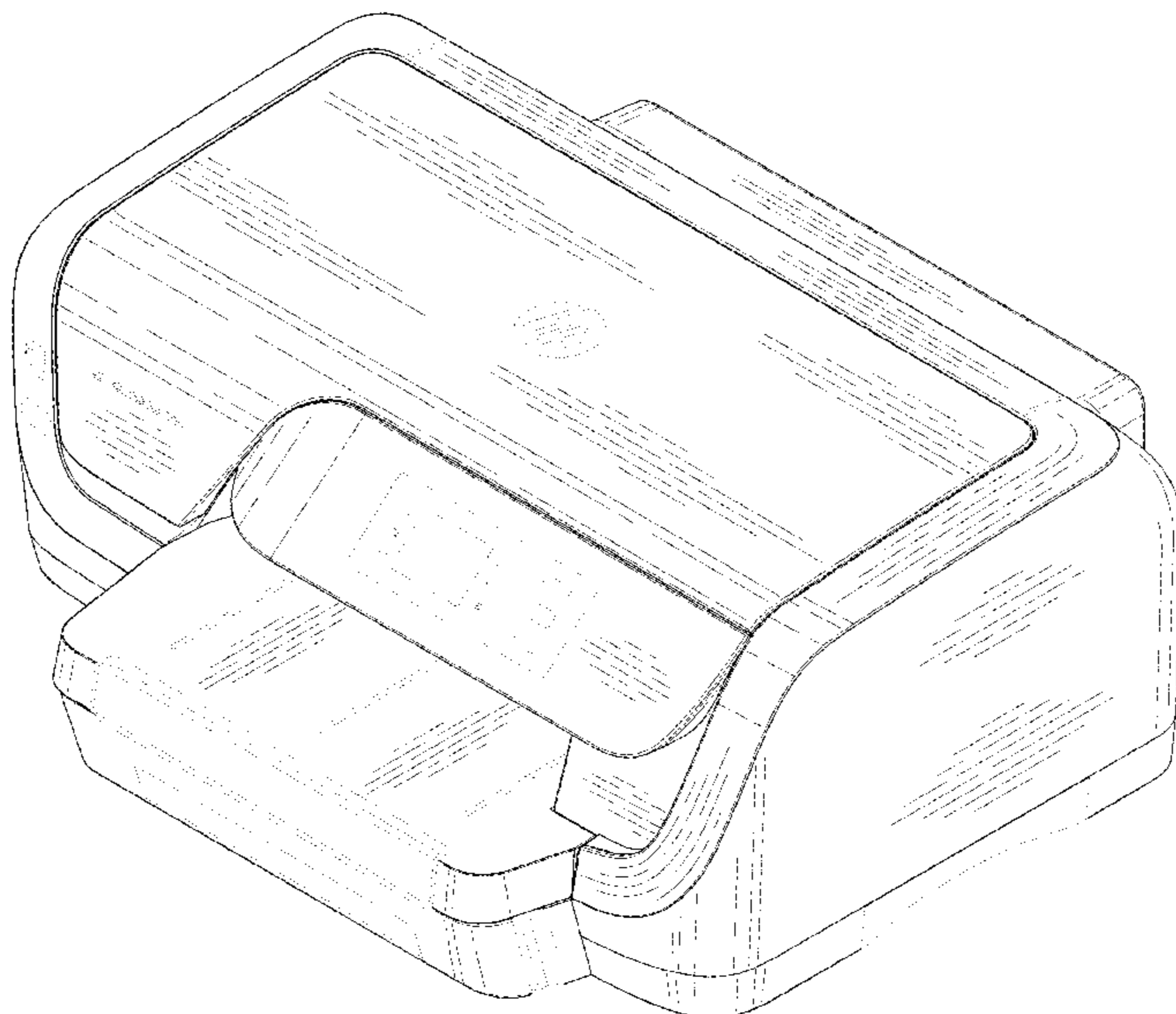
FIG. 5 is a right-side elevational view of the printer or shown in FIG. 1;

FIG. 6 is a left-side elevational view of the printer shown in FIG. 1;

FIG. 7 is a top plan view of the printer shown in FIG. 1; and,

FIG. 8 is a bottom plan view of the printer shown in FIG. 1. The broken lines shown in the drawings represent portions of the printer that form no part of the claimed design.

1 Claim, 8 Drawing Sheets



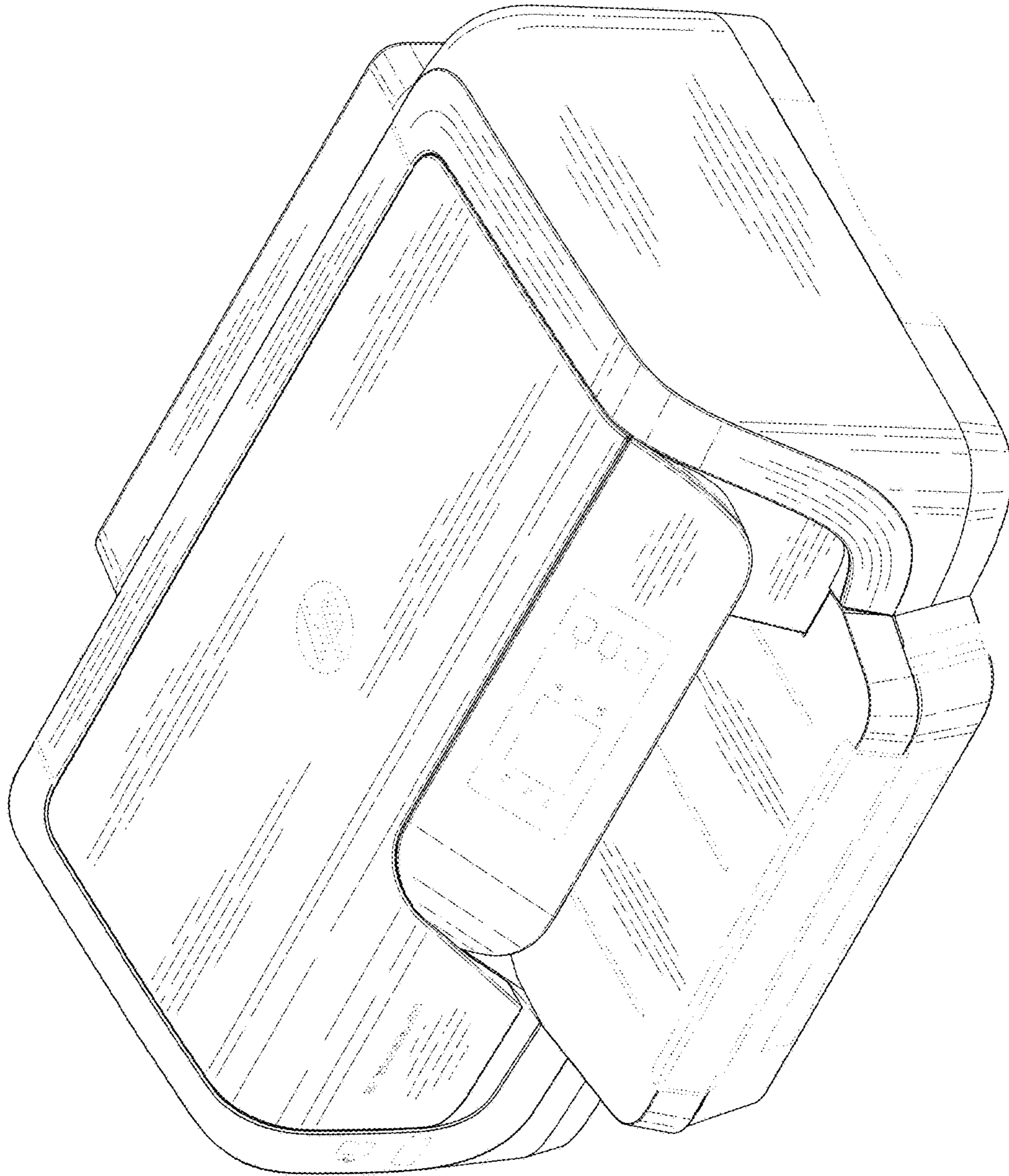


FIG. 1

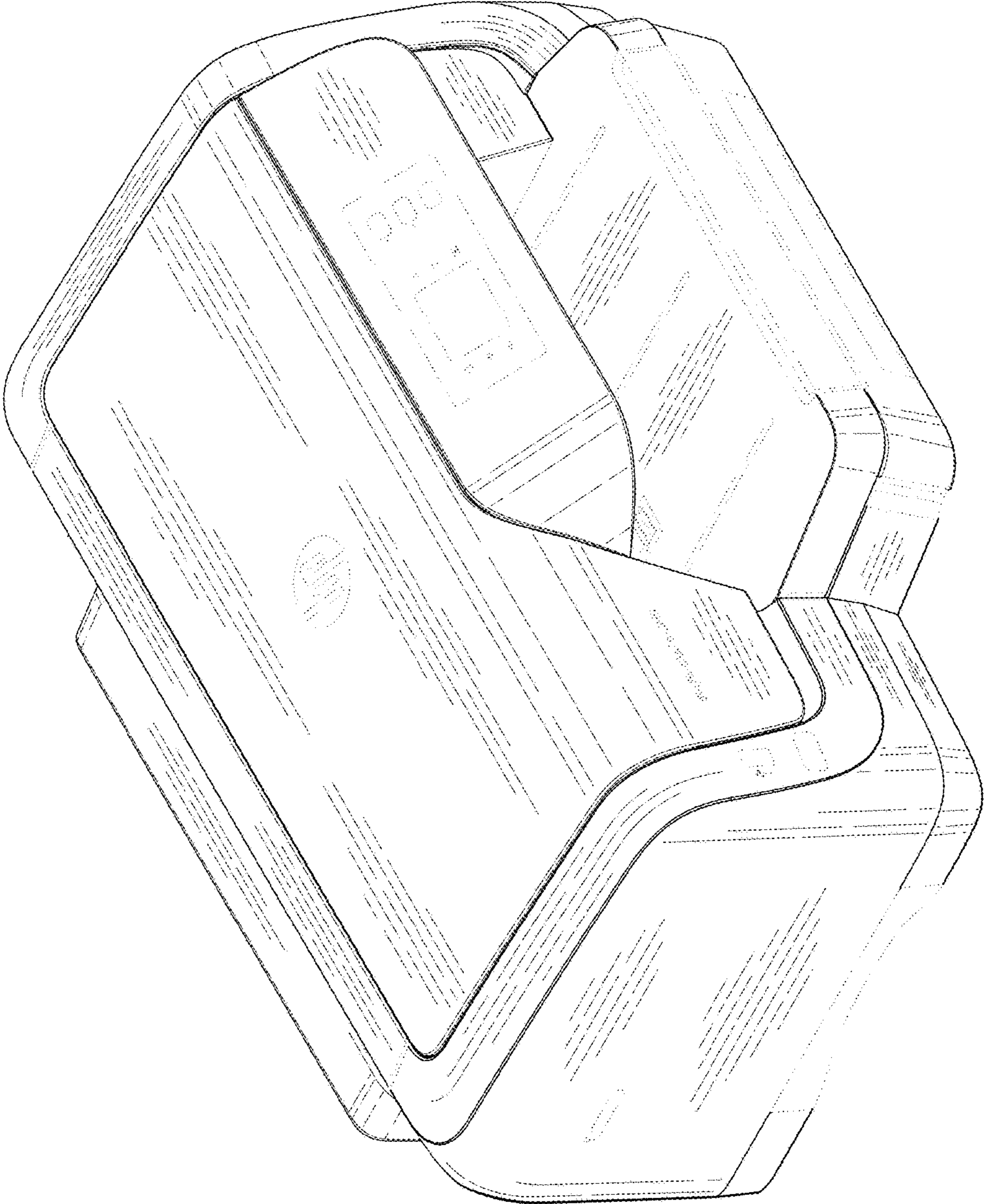


FIG. 2

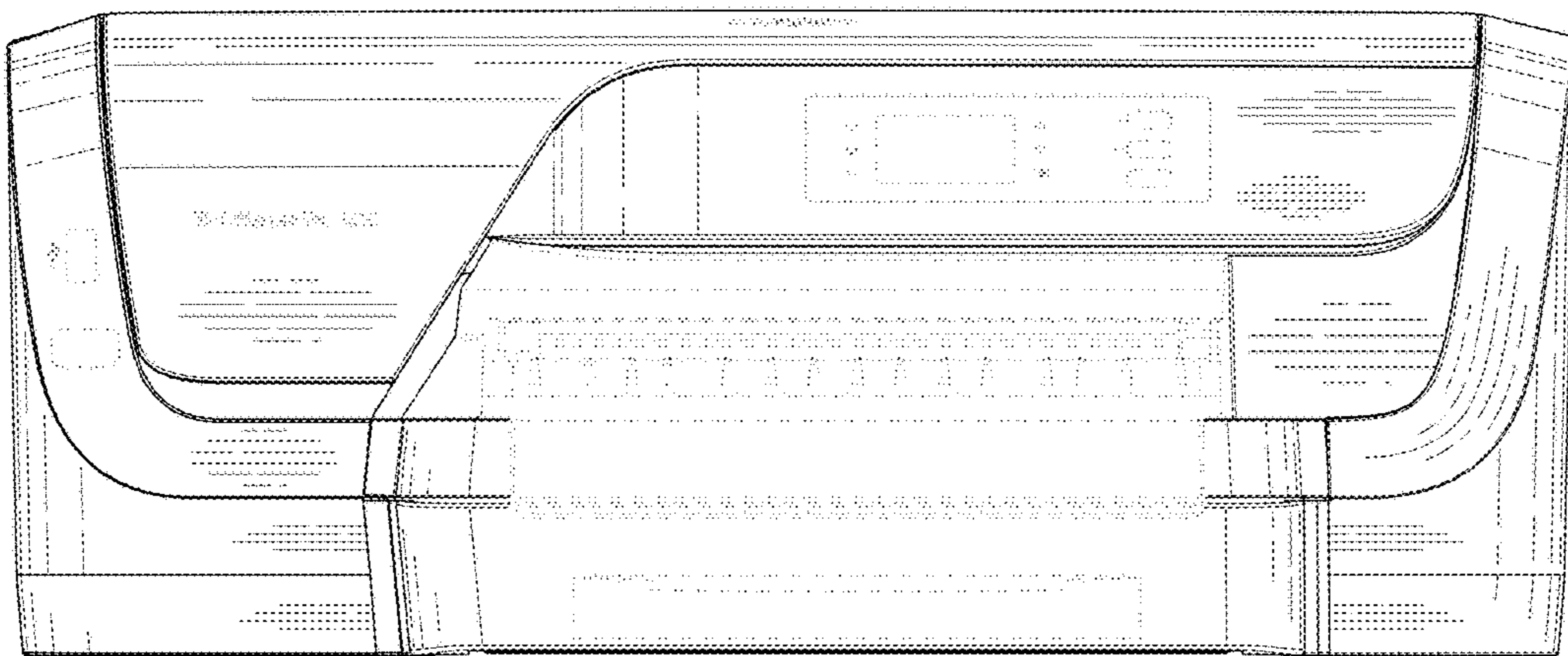


FIG. 3

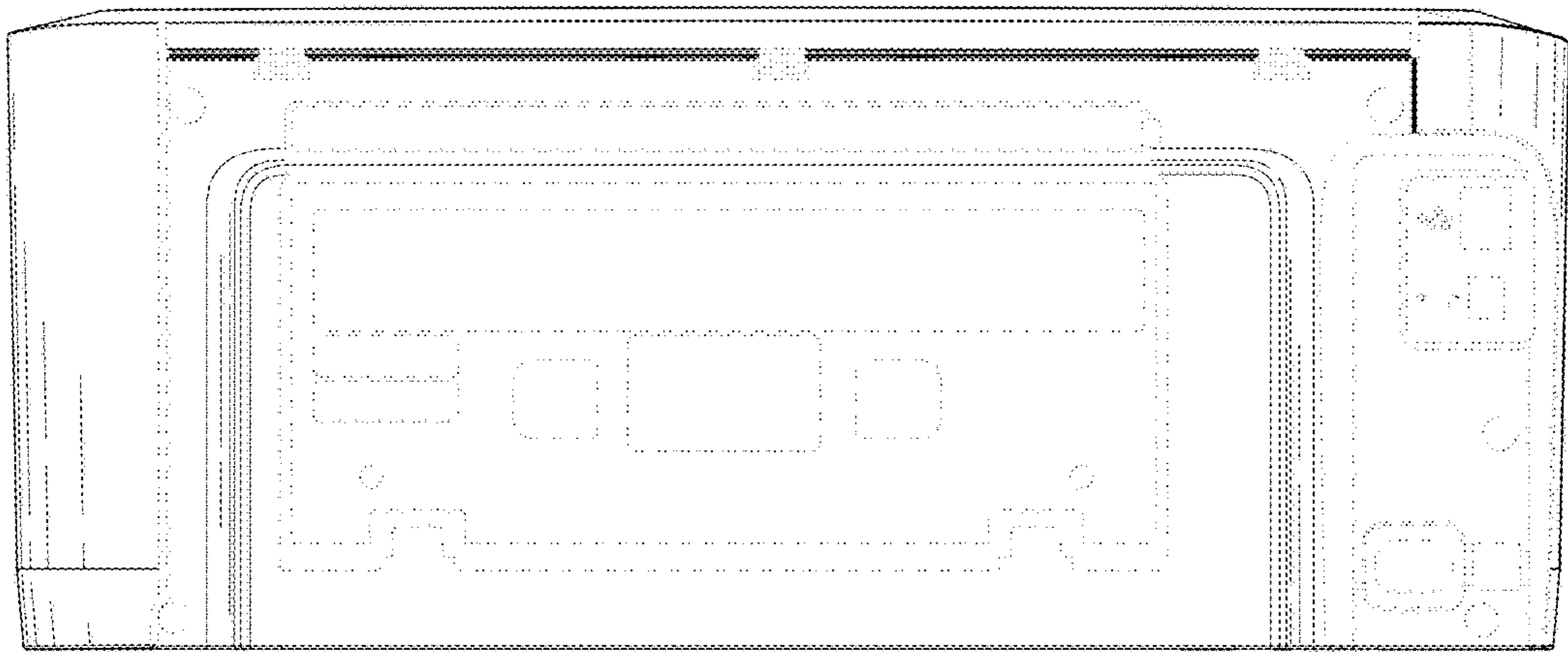


FIG. 4

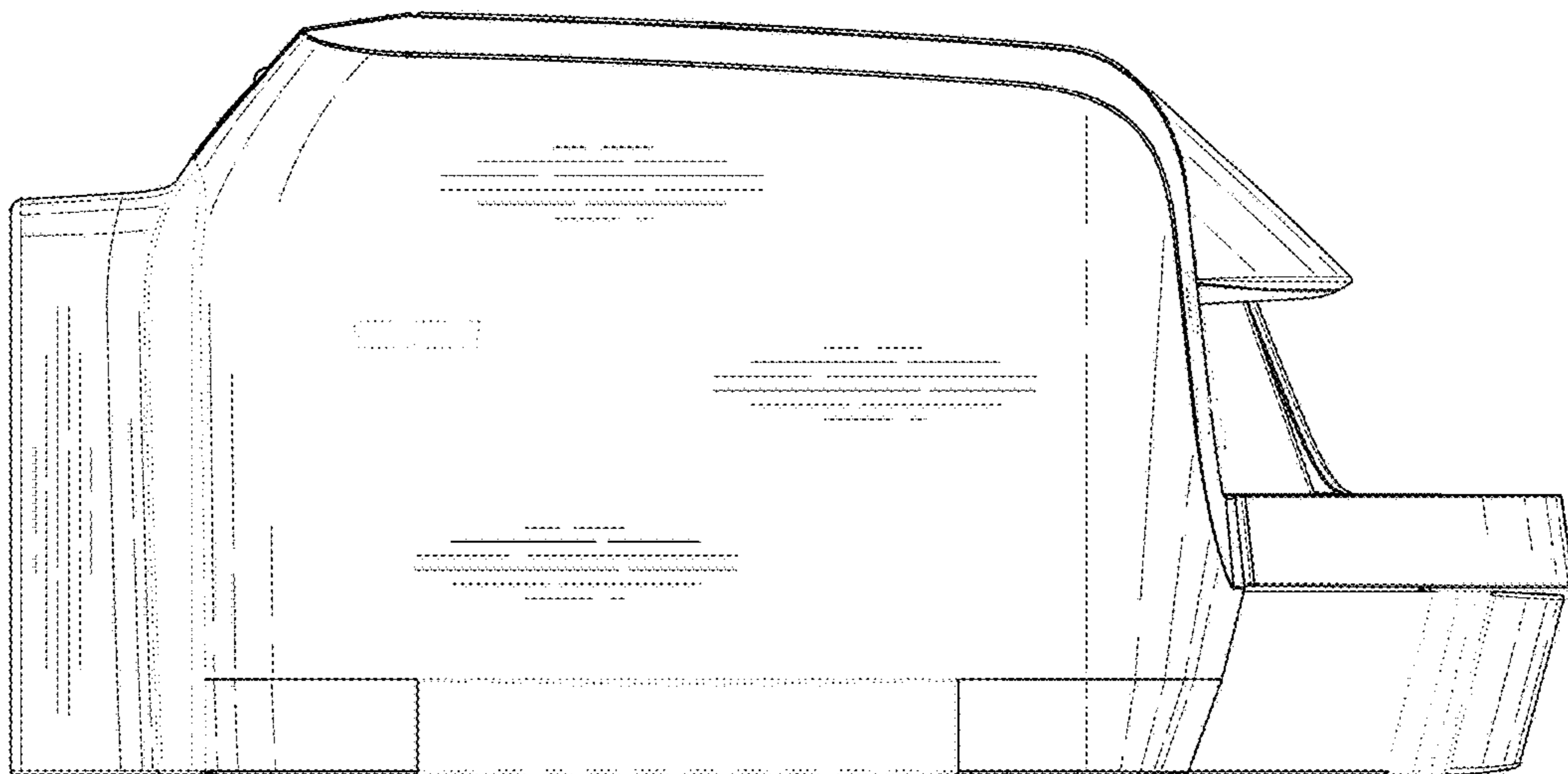


FIG. 5

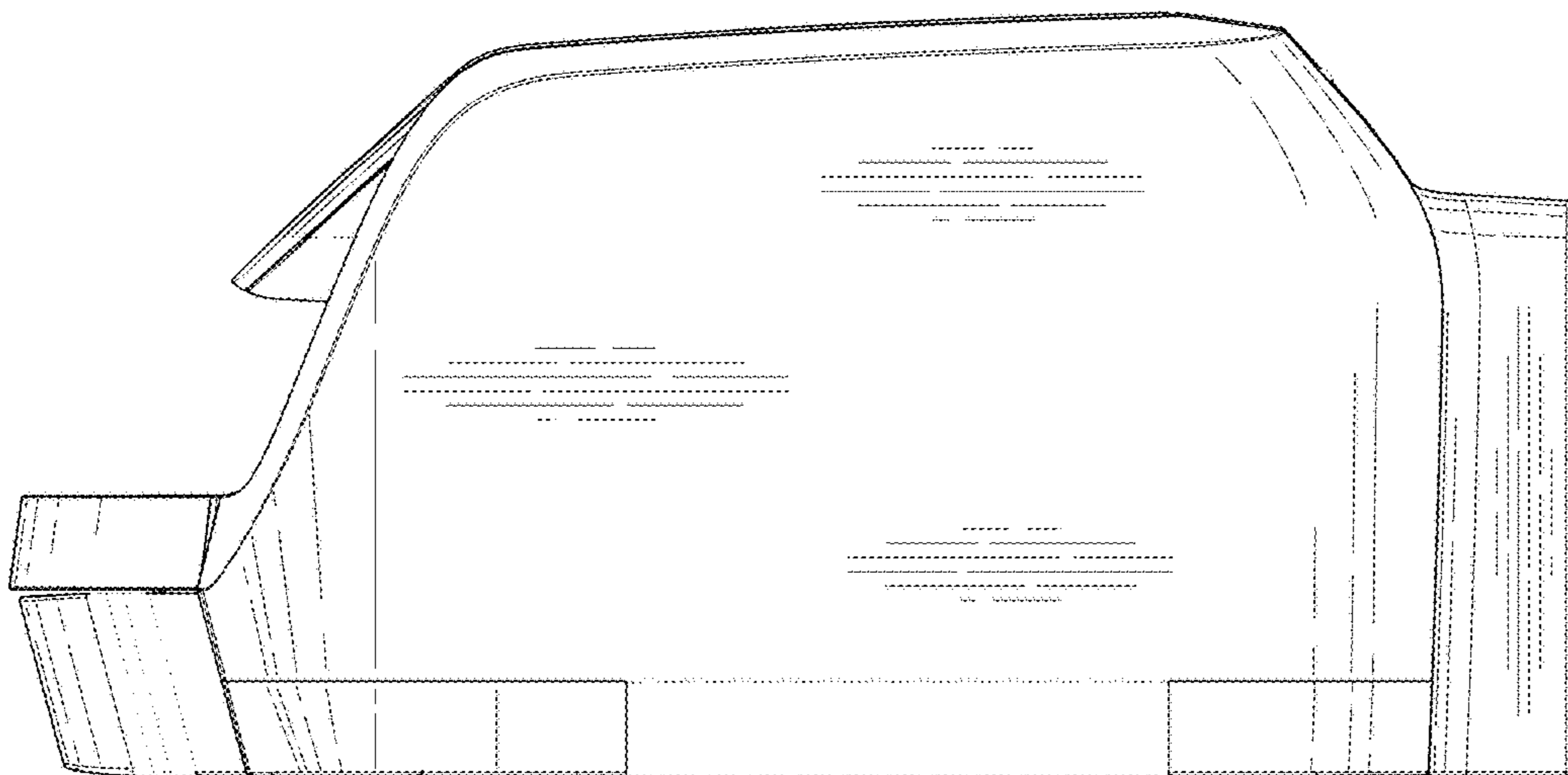


FIG. 6

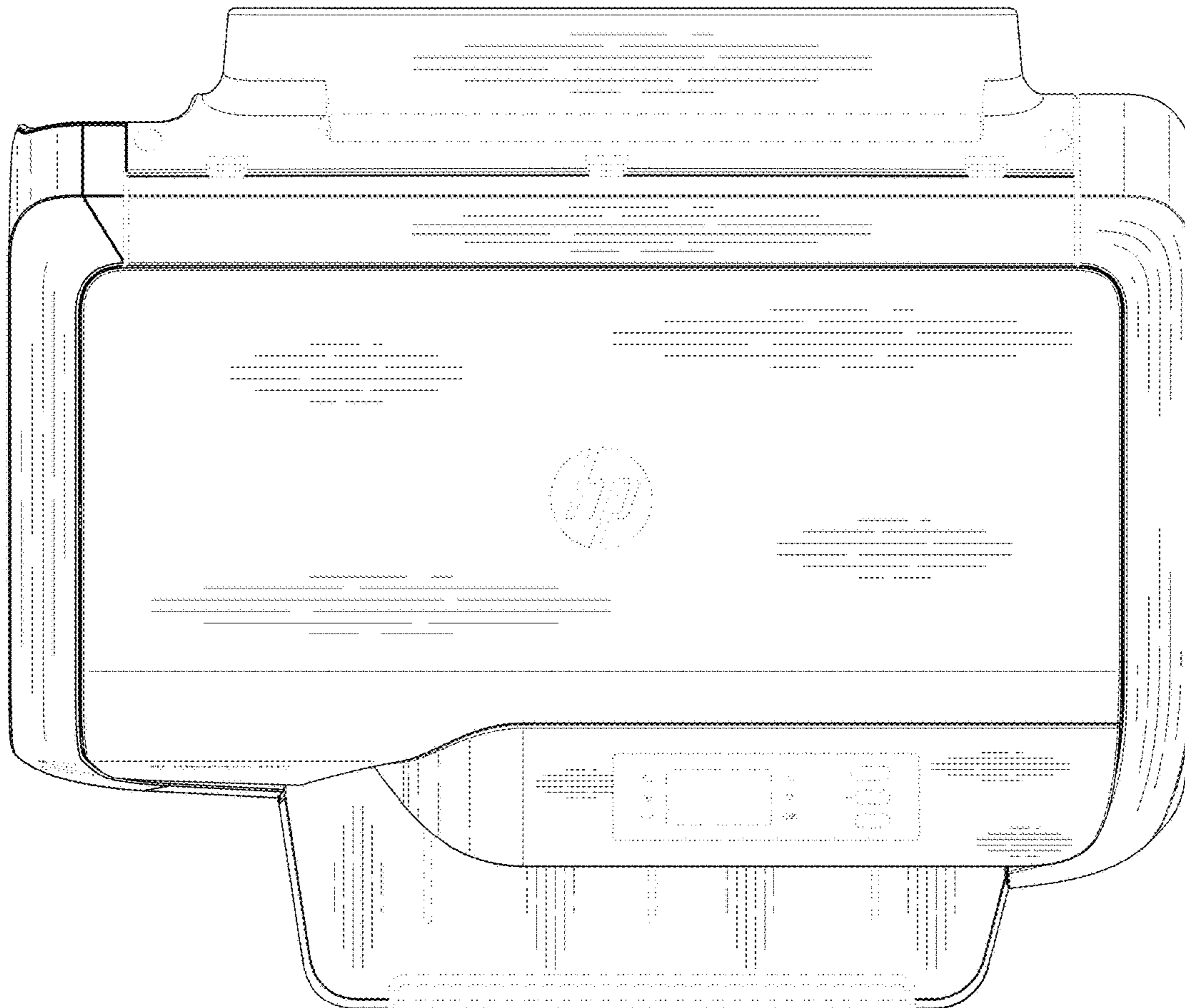


FIG. 7

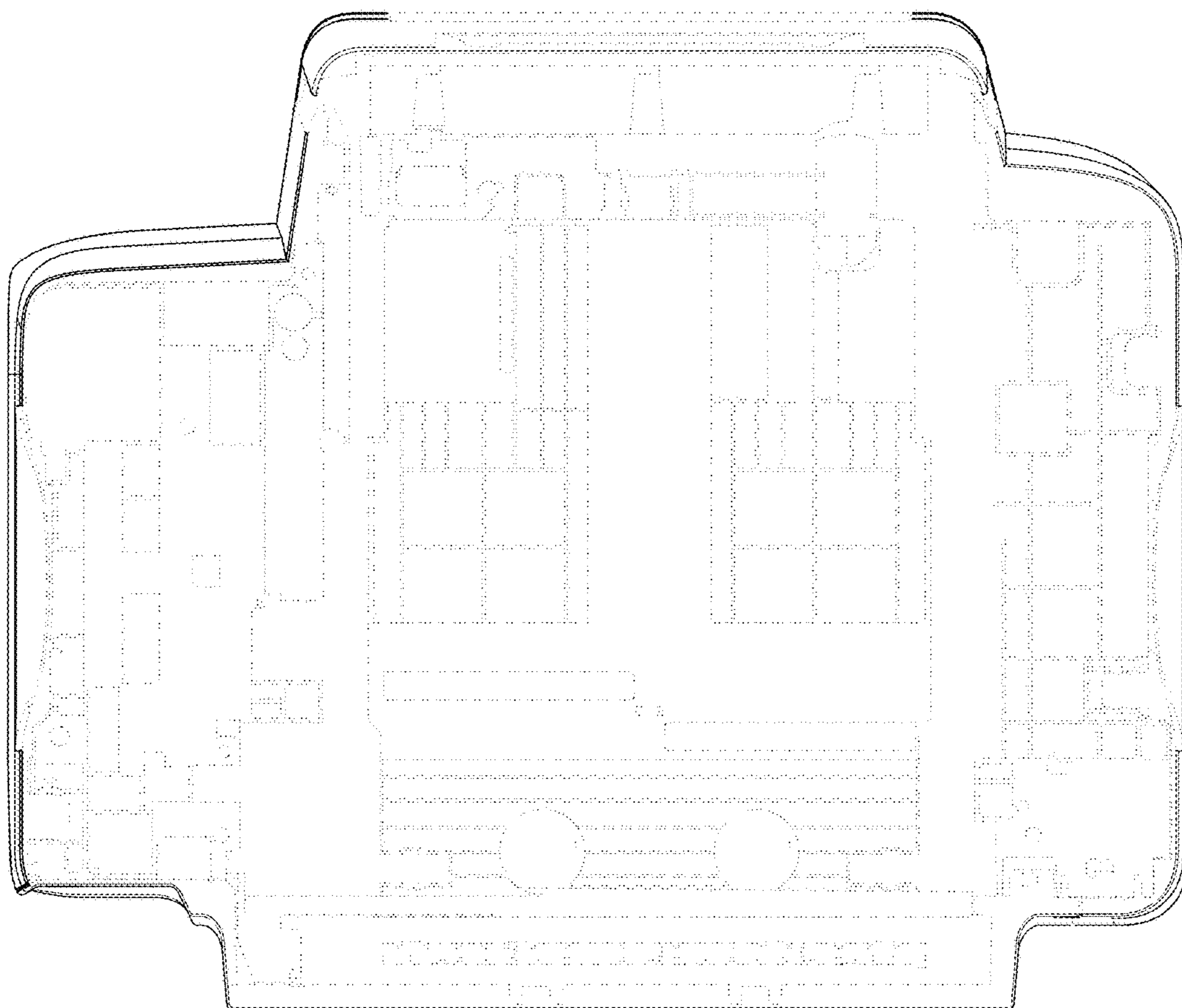


FIG. 8