



US00D817390S

(12) **United States Design Patent** (10) **Patent No.:** **US D817,390 S**
Falk et al. (45) **Date of Patent:** **** May 8, 2018**

(54) **PRINTER**
(71) Applicant: **Hewlett-Packard Development Company, L.P.**, Houston, TX (US)

D558,266 S * 12/2007 Falk D18/55
D562,886 S * 2/2008 Egami D18/55
D576,202 S * 9/2008 Falk D18/55

(Continued)

(72) Inventors: **Kevin L. Falk**, Boise, ID (US);
Michael V. Leman, Boise, ID (US);
Akifumi Hirota, Boise, ID (US); **Lori Segovia Blasch**, Boise, ID (US)

OTHER PUBLICATIONS

HP Color LaserJet Enterprise M553n, [online], [site visited Aug. 11, 2017]. Available from Internet, URL:<http://store.hp.com/us/en/pdp/hp-color-laserjet-enterprise-m553n>.*

(73) Assignee: **Hewlett-Packard Development Company, L.P.**, Houston, TX (US)

Primary Examiner — Caron D Veynar
Assistant Examiner — Katrina N Gonzalez

(**) Term: **15 Years**

(74) *Attorney, Agent, or Firm* — Morgan Lewis & Bockius LLP

(21) Appl. No.: **29/552,873**

(57) **CLAIM**

The ornamental design for a printer, as shown and described.

(22) Filed: **Jan. 26, 2016**

DESCRIPTION

(51) **LOC (11) Cl.** **18-02**

(52) **U.S. Cl.**
USPC **D18/55**

(58) **Field of Classification Search**
USPC D18/12, 14, 18, 19, 36, 37, 38, 39, 43,
D18/50, 54, 54.1, 55, 56, 99; D14/420,
D14/421, 422, 423, 424, 425, 462, 463,
D14/464, 465, 466, 467, 668, 469, 470,
D14/480.5, 483, 484
CPC . B41J 31/16; B41J 32/02; B41J 19/202; B41J
29/377; B41J 3/4075; B41J 11/58; B41J
15/12; B41J 15/042; B41J 17/00; B41J
29/02; B41J 29/08
See application file for complete search history.

FIG. 1 is a front, left, top, perspective view of a printer showing our new design;
FIG. 2 is a front, right, top, perspective view of the printer shown in FIG. 1;
FIG. 3 is a rear, left, top, perspective view of the printer shown in FIG. 1;
FIG. 4 is a rear, right, top, perspective view of the printer shown in FIG. 1;
FIG. 5 is a front elevational view of the printer shown in FIG. 1;
FIG. 6 is a rear elevational view of the printer shown in FIG. 1;
FIG. 7 is a left-side elevational view of the printer or shown in FIG. 1;
FIG. 8 is a right-side elevational view of the printer shown in FIG. 1;
FIG. 9 is a top plan view of the printer shown in FIG. 1; and,
FIG. 10 is a bottom plan view of the printer shown in FIG. 1.

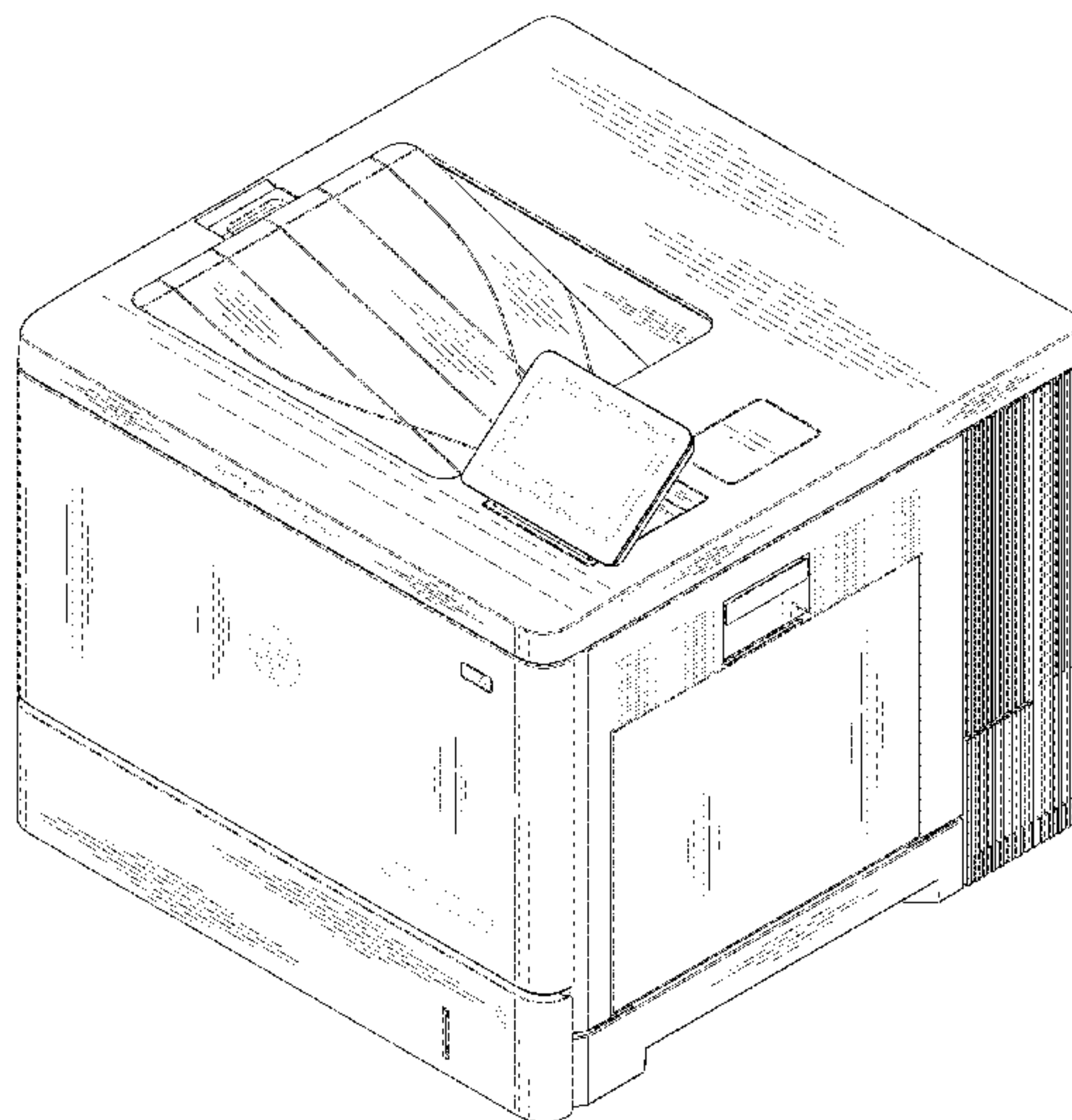
(56) **References Cited**

U.S. PATENT DOCUMENTS

D439,276 S * 3/2001 Kemmochi D18/55
D534,209 S * 12/2006 Yamaguchi D18/55
D544,906 S * 6/2007 Alfonso D18/55
D558,264 S * 12/2007 Smith D18/55

The broken lines shown in the drawings represent portions of the printer that form no part of the claimed design.

1 Claim, 10 Drawing Sheets



(56)

References Cited

U.S. PATENT DOCUMENTS

D579,490	S	*	10/2008	Laidlaw	D18/55
D584,348	S	*	1/2009	Boo	D18/55
D601,186	S	*	9/2009	Kim	D18/55
D634,361	S	*	3/2011	Terenzio	D18/55
D641,398	S	*	7/2011	Kim	D18/55
D643,058	S	*	8/2011	Seki	D18/55
D645,502	S	*	9/2011	Amemiya	D18/55
D645,899	S	*	9/2011	Nagano	D18/55
D647,131	S	*	10/2011	Park	D18/55
D647,132	S	*	10/2011	Kim	D18/55
D653,703	S	*	2/2012	Seki	D18/55
D653,704	S	*	2/2012	Seki	D18/55
D670,326	S	*	11/2012	Yoshida	D18/55
D693,873	S	*	11/2013	Fukasawa	D18/55
D696,343	S	*	12/2013	Kim	D18/55
D696,717	S	*	12/2013	Kim	D18/55
D697,964	S	*	1/2014	Fukasawa	D18/55
D697,965	S	*	1/2014	Fukasawa	D18/55
D698,862	S	*	2/2014	Nanno	D18/55
D749,172	S	*	2/2016	Nakagawa	D18/55
D750,164	S	*	2/2016	So	D18/50
D762,216	S	*	7/2016	Tani	D14/422
D765,772	S	*	9/2016	Clark, III	D18/55
D771,183	S	*	11/2016	Kim	D18/55
D772,977	S	*	11/2016	Kim	D18/55

* cited by examiner

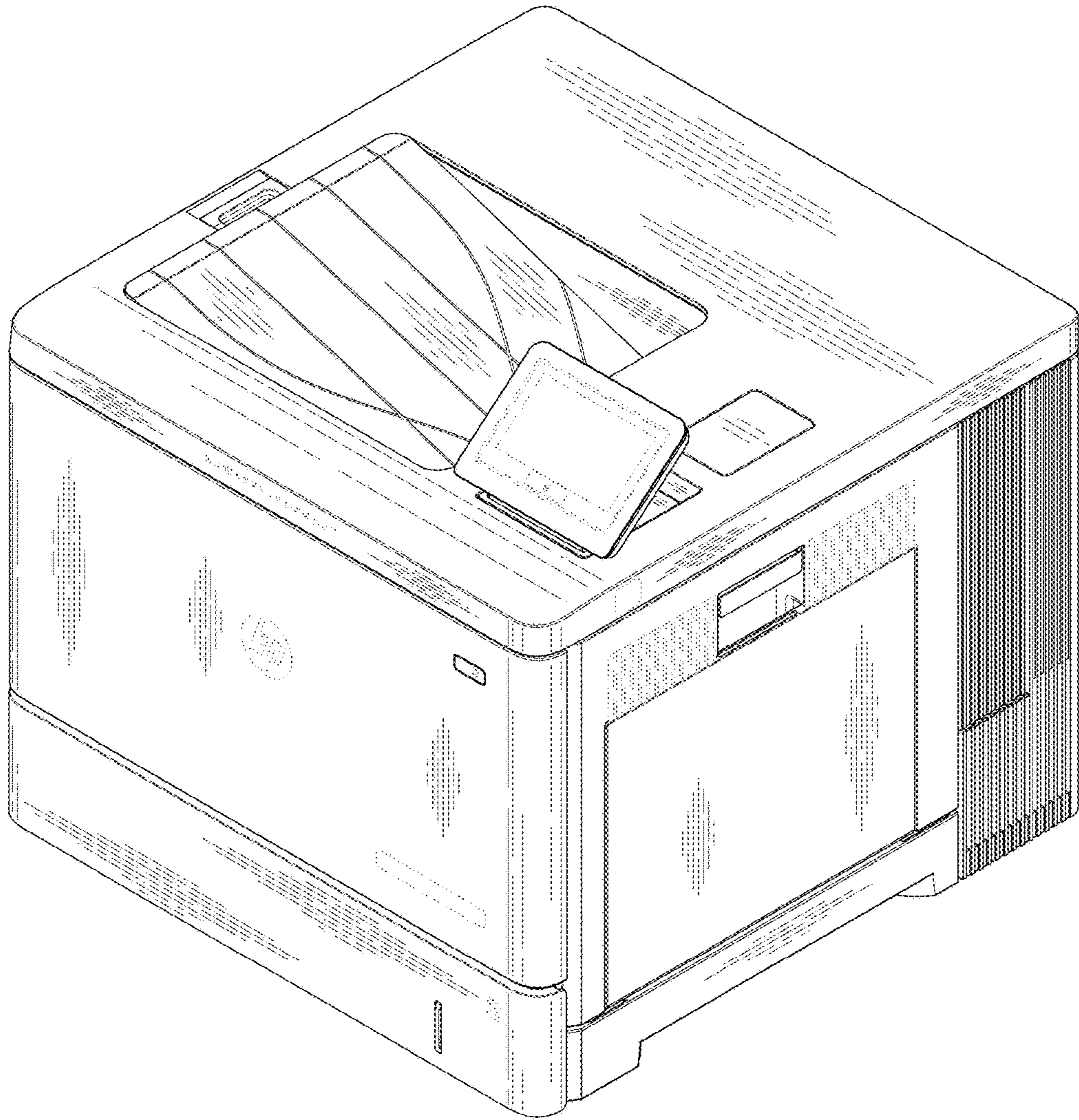


FIG. 1

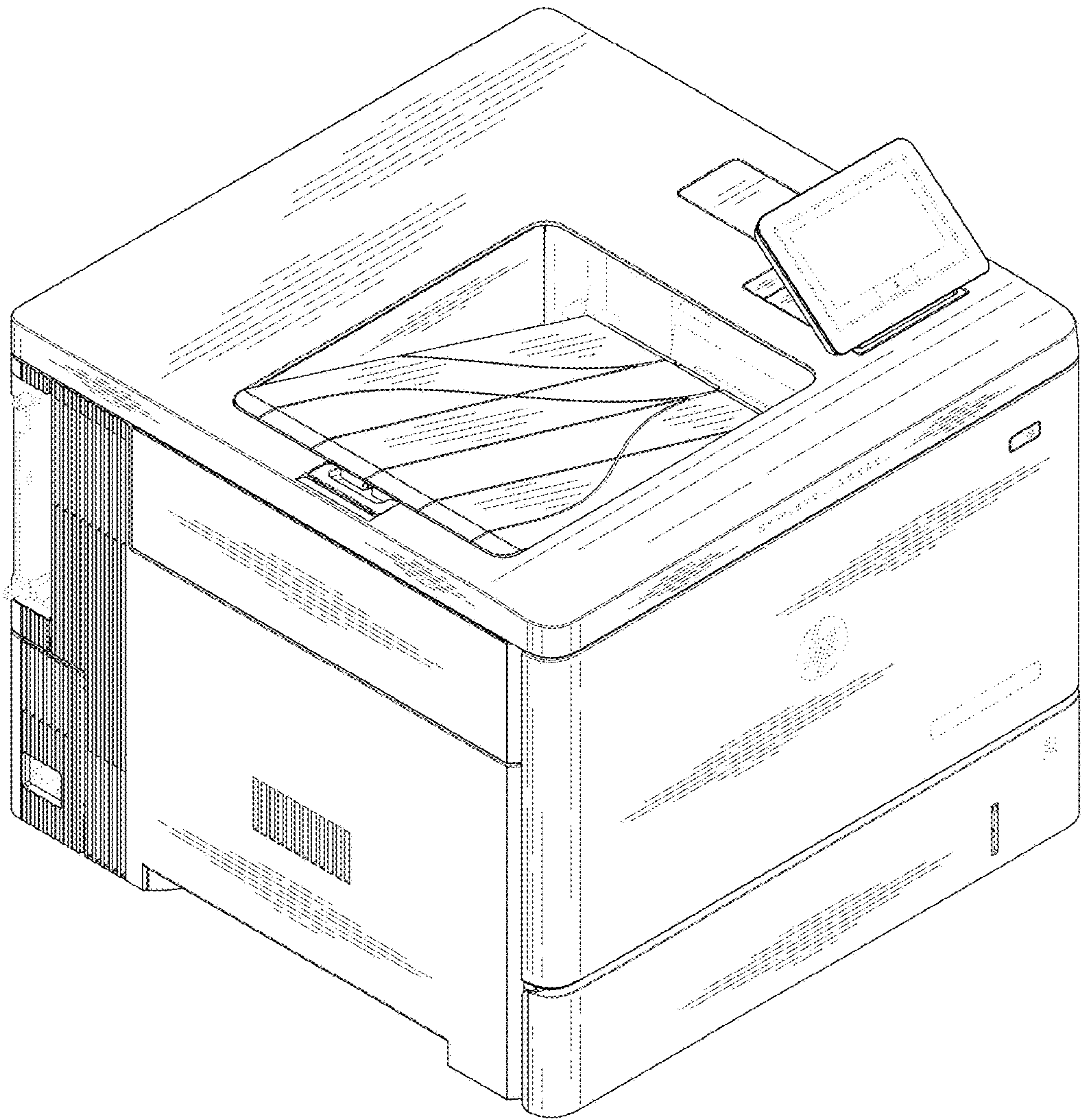


FIG. 2

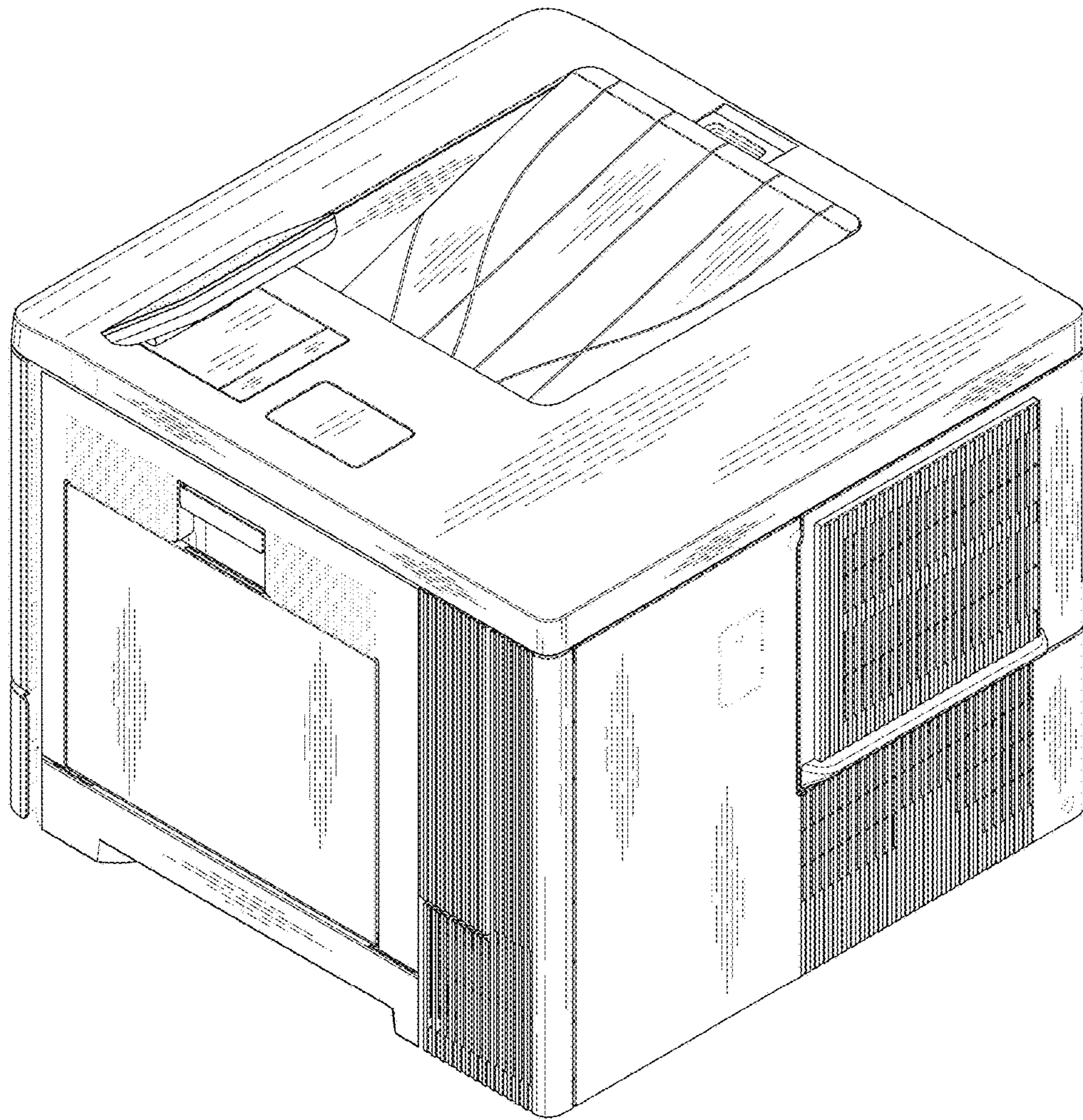


FIG. 3

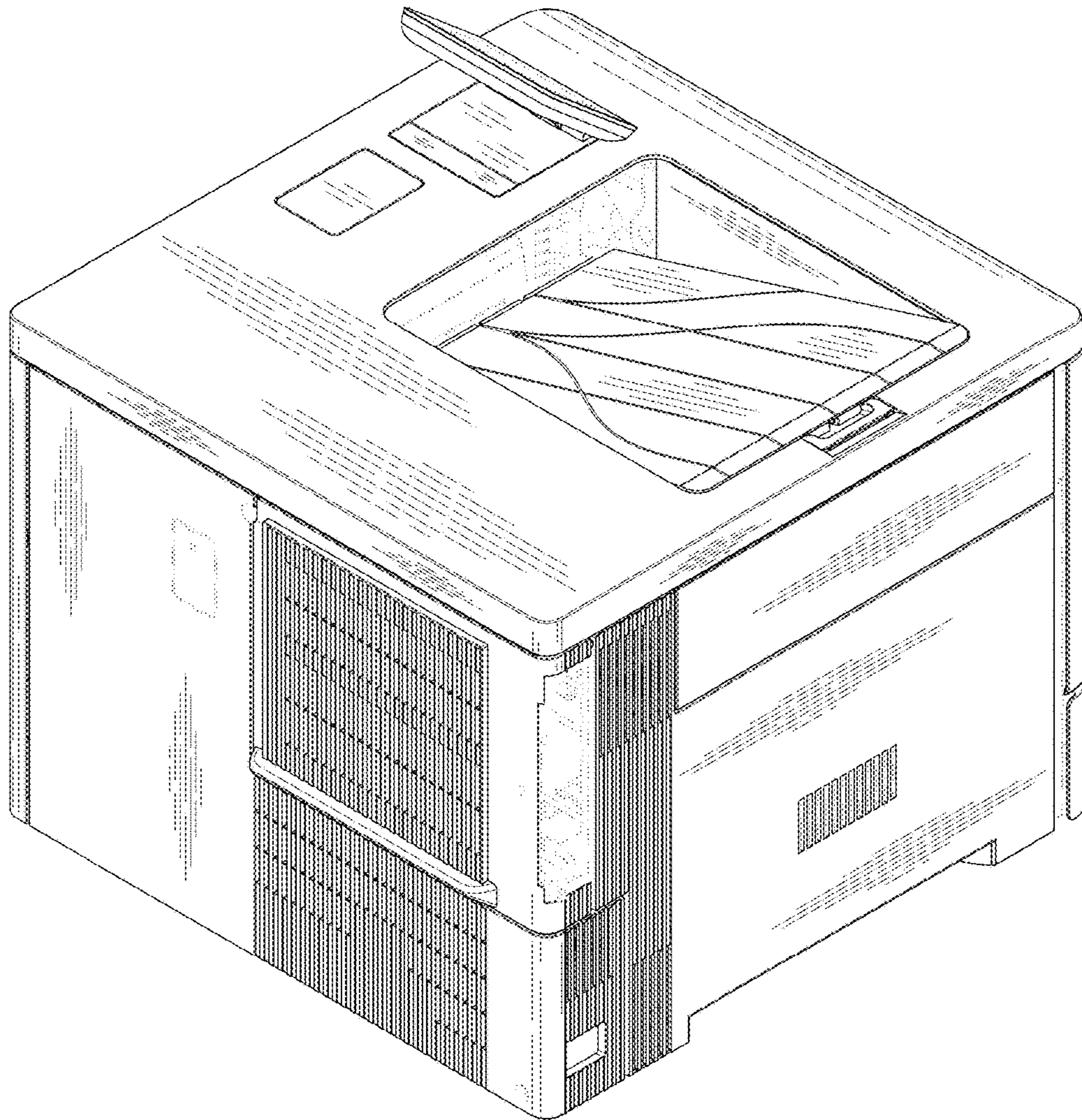


FIG. 4

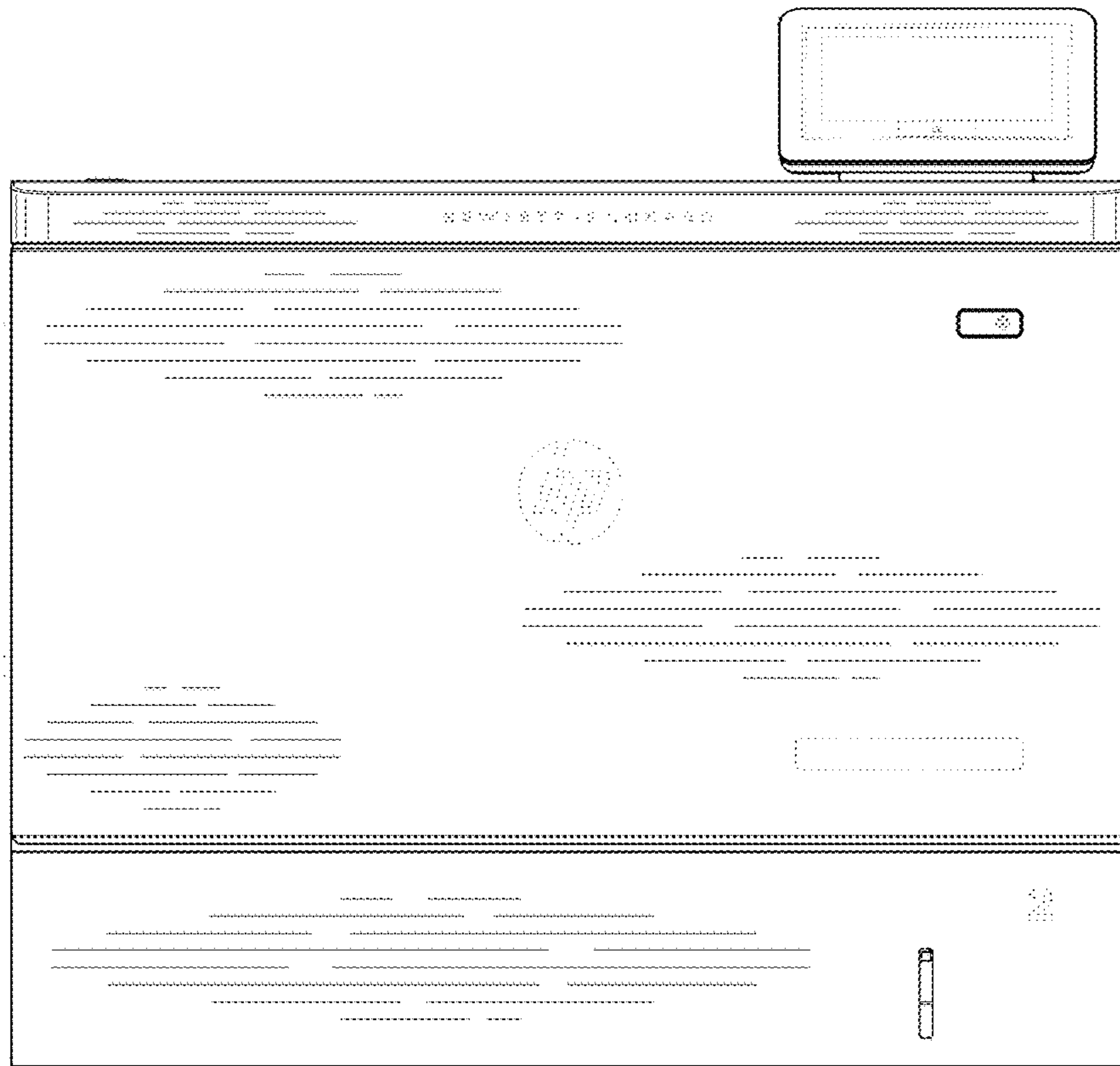


FIG. 5

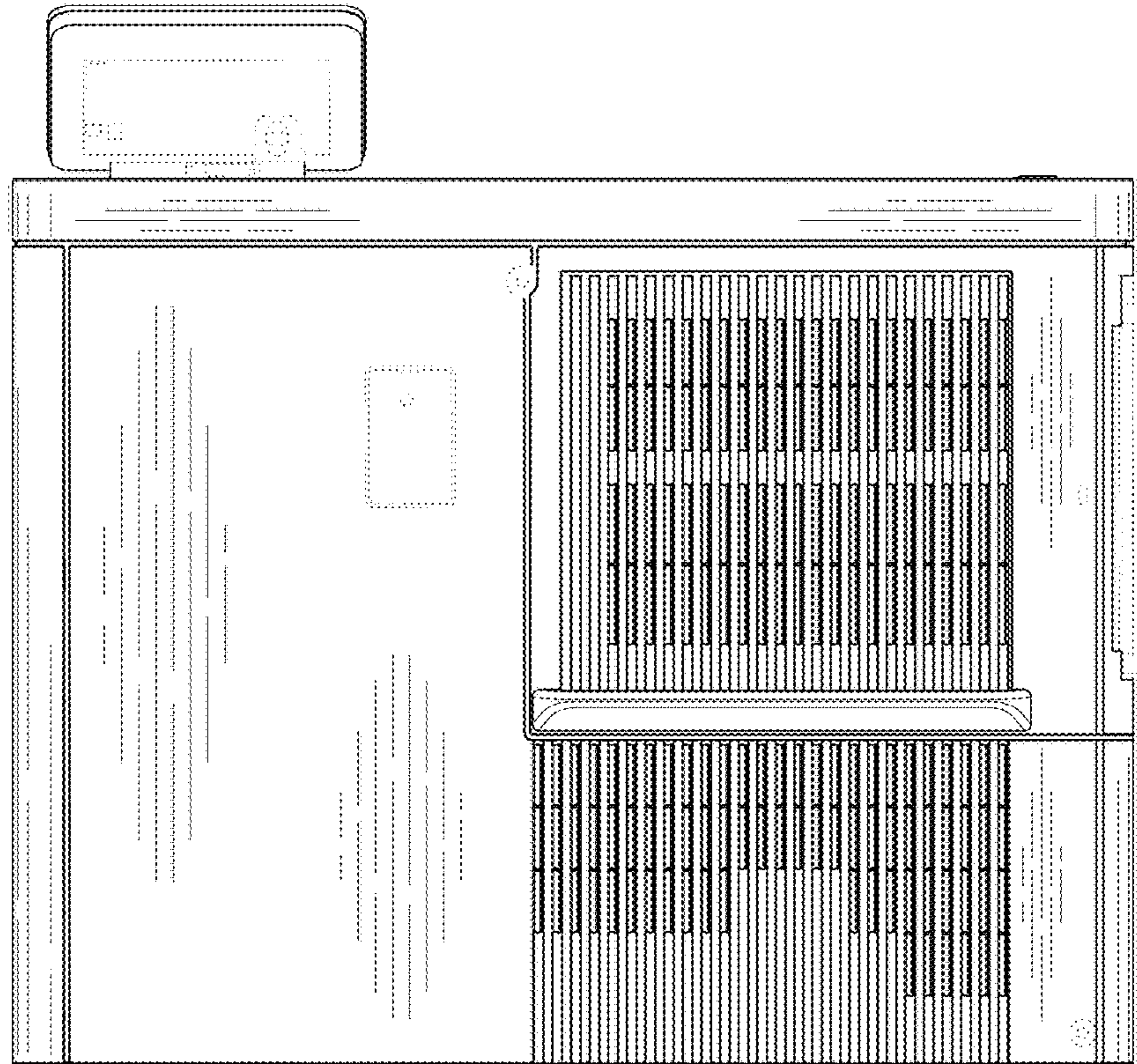


FIG. 6

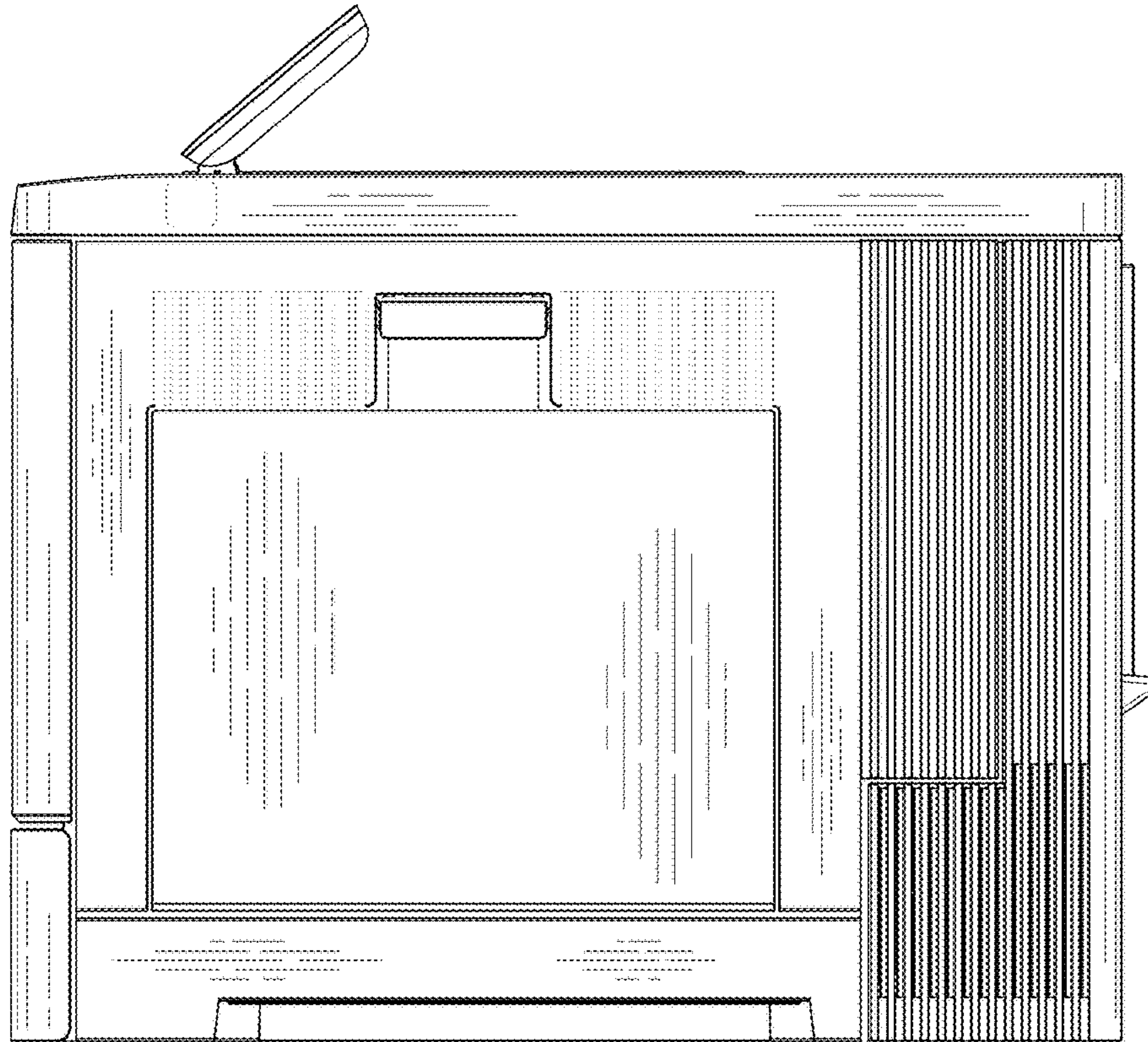


FIG. 7

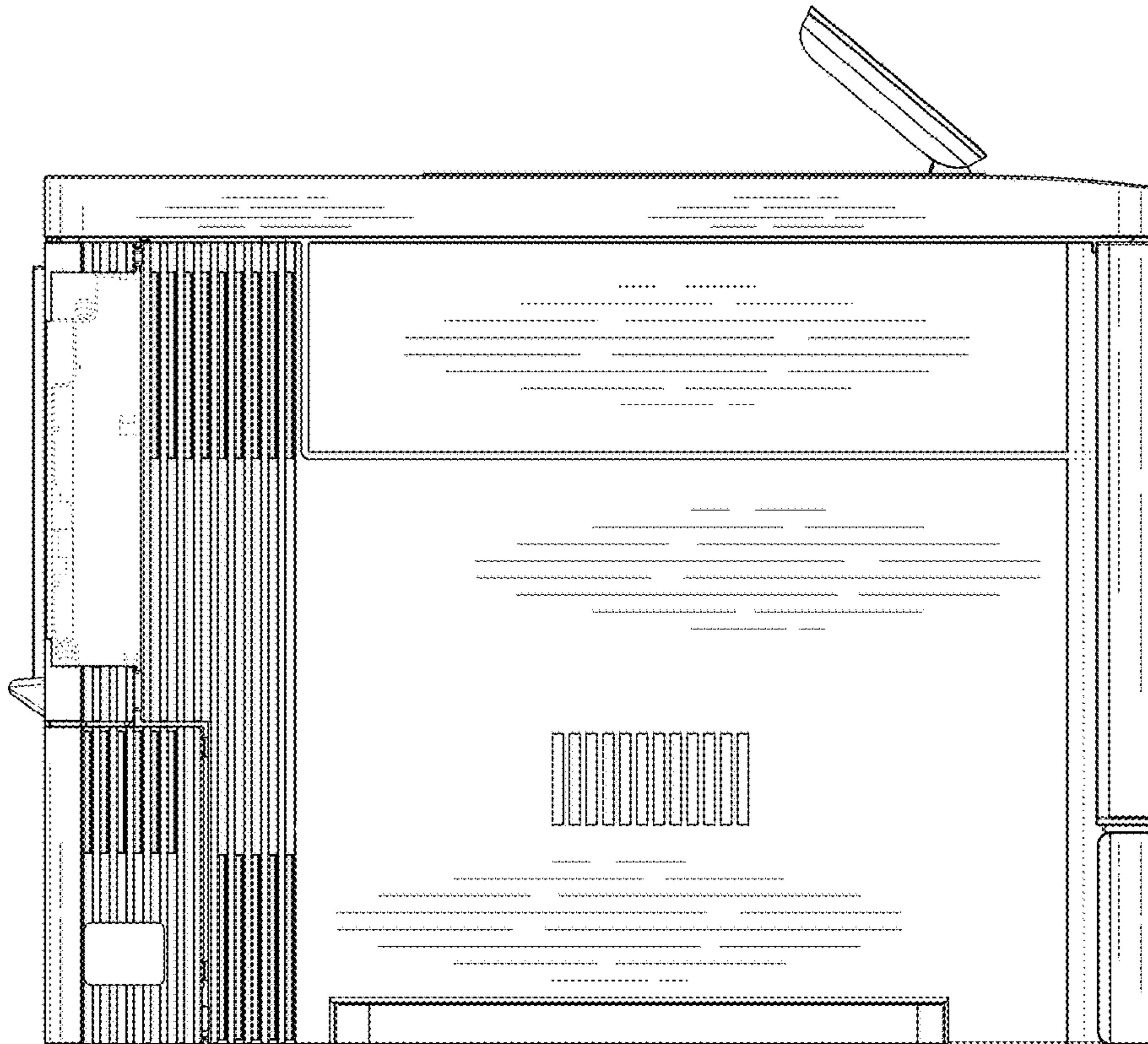


FIG. 8

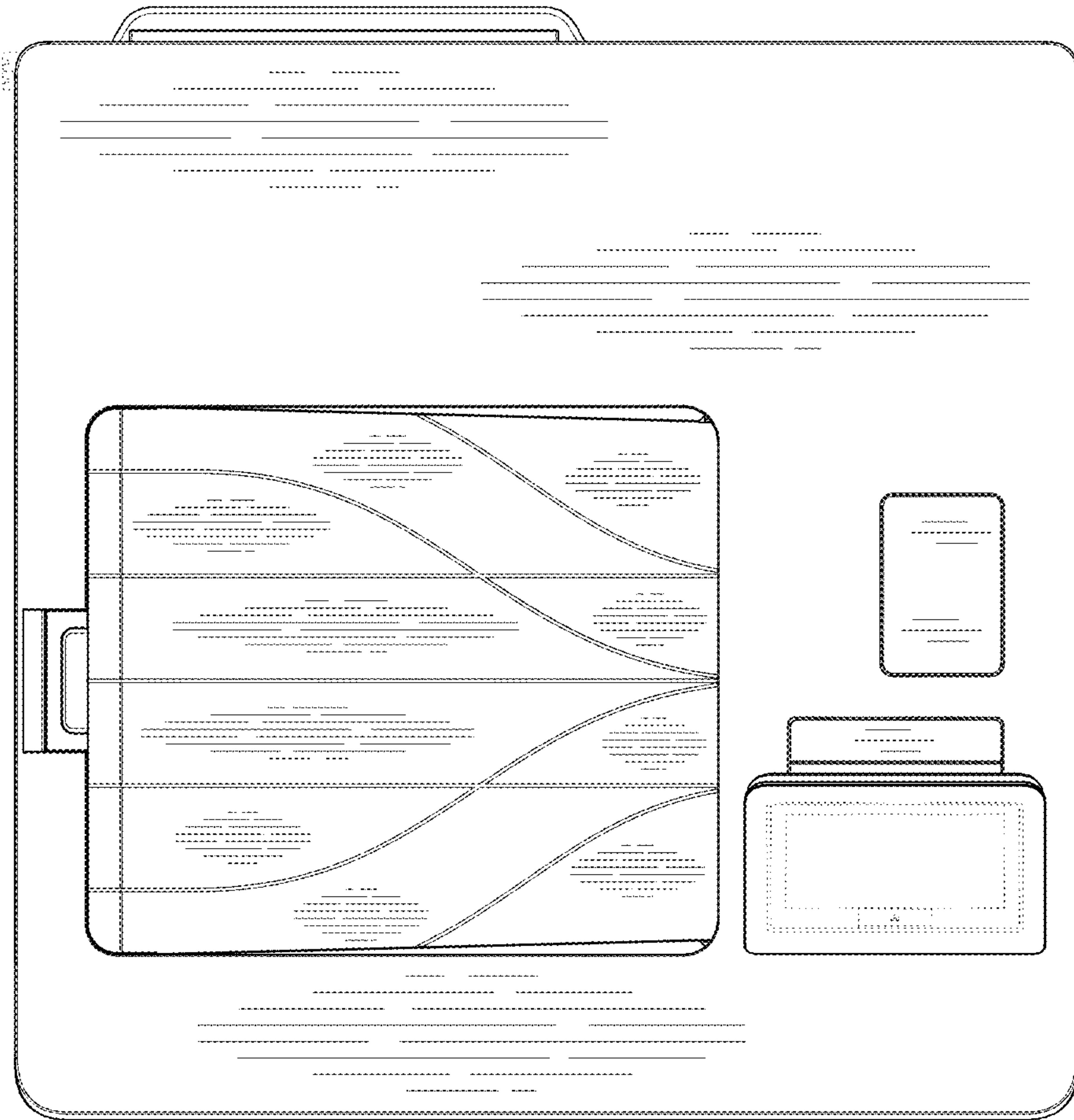


FIG. 9

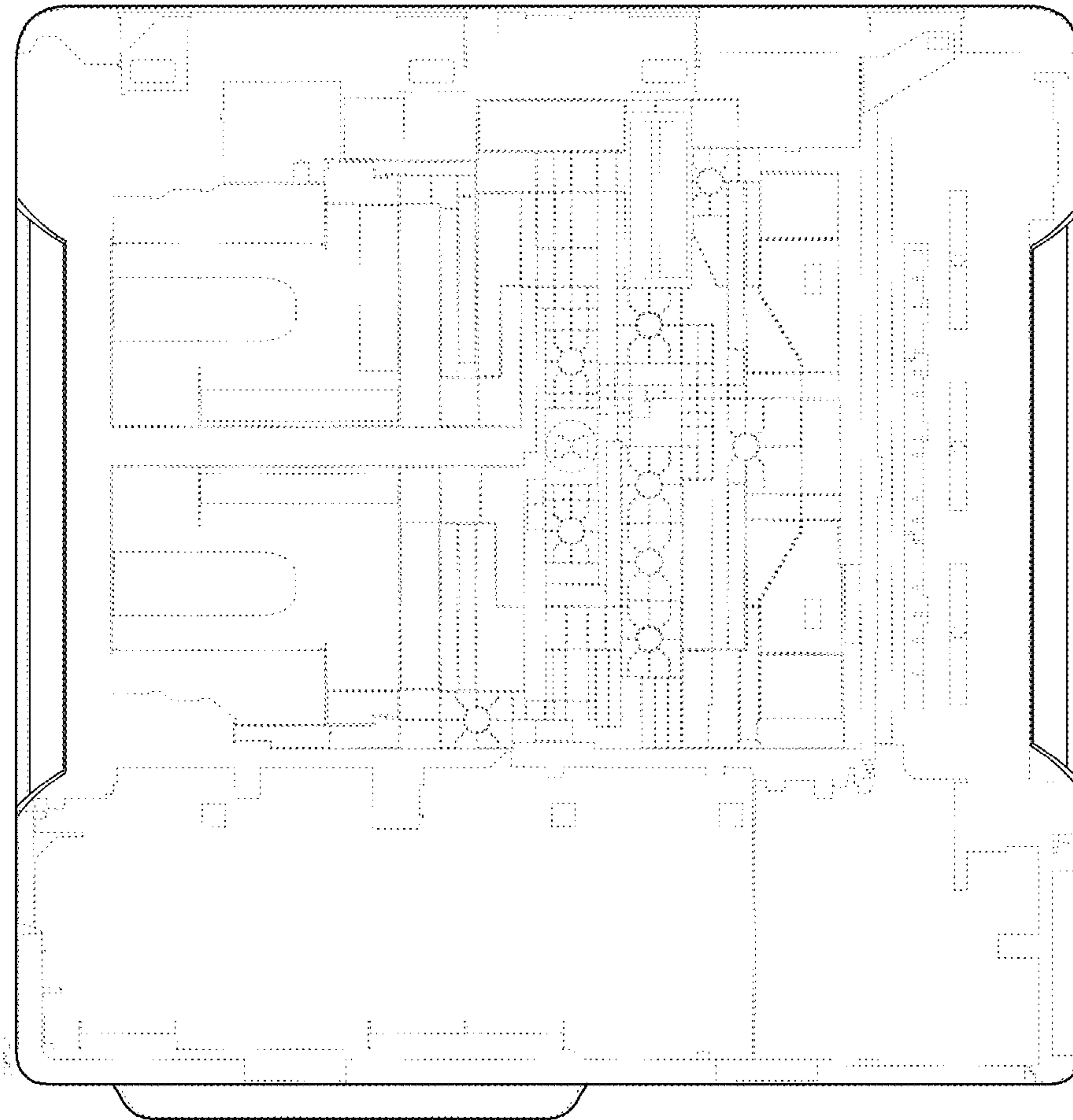


FIG. 10