



US00D817389S

(12) **United States Design Patent** (10) **Patent No.:** **US D817,389 S**  
**Hirota et al.** (45) **Date of Patent:** **\*\* May 8, 2018**

(54) **LASER MARKING DEVICE**

*Primary Examiner* — Antoine Duval Davis

(71) Applicant: **BROTHER INDUSTRIES, LTD.**,  
Nagoya-shi, Aichi-ken (JP)

(74) *Attorney, Agent, or Firm* — Oliff PLC

(72) Inventors: **Mitsuo Hirota**, Ichinomiya (JP);  
**Toshiya Inada**, Nagoya (JP)

(57) **CLAIM**

(73) Assignee: **BROTHER INDUSTRIES, LTD.**,  
Nagoya (JP)

The ornamental design for a laser marking device, as shown and described.

(\*\*) Term: **15 Years**

**DESCRIPTION**

(21) Appl. No.: **29/570,685**

(22) Filed: **Jul. 11, 2016**

(30) **Foreign Application Priority Data**

Jan. 22, 2016 (JP) ..... 2016-001111

(51) **LOC (11) Cl.** ..... **18-02**

(52) **U.S. Cl.**  
USPC ..... **D18/50; D10/49**

(58) **Field of Classification Search**  
USPC ..... D10/46; D18/50, 99  
CPC ..... B41M 5/26; B41M 5/262; B41M 5/265;  
B41M 5/267

See application file for complete search history.

FIG. 1 is a bottom, rear, right-side perspective view of a laser marking device;  
FIG. 2 is a front view thereof;  
FIG. 3 is a top view thereof;  
FIG. 4 is a right-side view thereof;  
FIG. 5 is a left-side view thereof;  
FIG. 6 is a rear view thereof;  
FIG. 7 is a bottom view thereof;  
FIG. 8 is a cross-sectional view taken along a line 8-8 in FIG. 7;  
FIG. 9 is a cross-sectional view taken along lines 9-9 and 9'-9' in FIG. 7;  
FIG. 10 is a cross-sectional view taken along line 10-10 and 10'-10' in FIG. 7;  
FIG. 11 is a bottom, rear, left-side perspective view thereof;  
FIG. 12 is a bottom, front, right-side perspective view thereof; and,  
FIG. 13 is a bottom, front, left-side perspective view thereof. The broken lines depict environmental subject matter only and form no part of the claimed design.

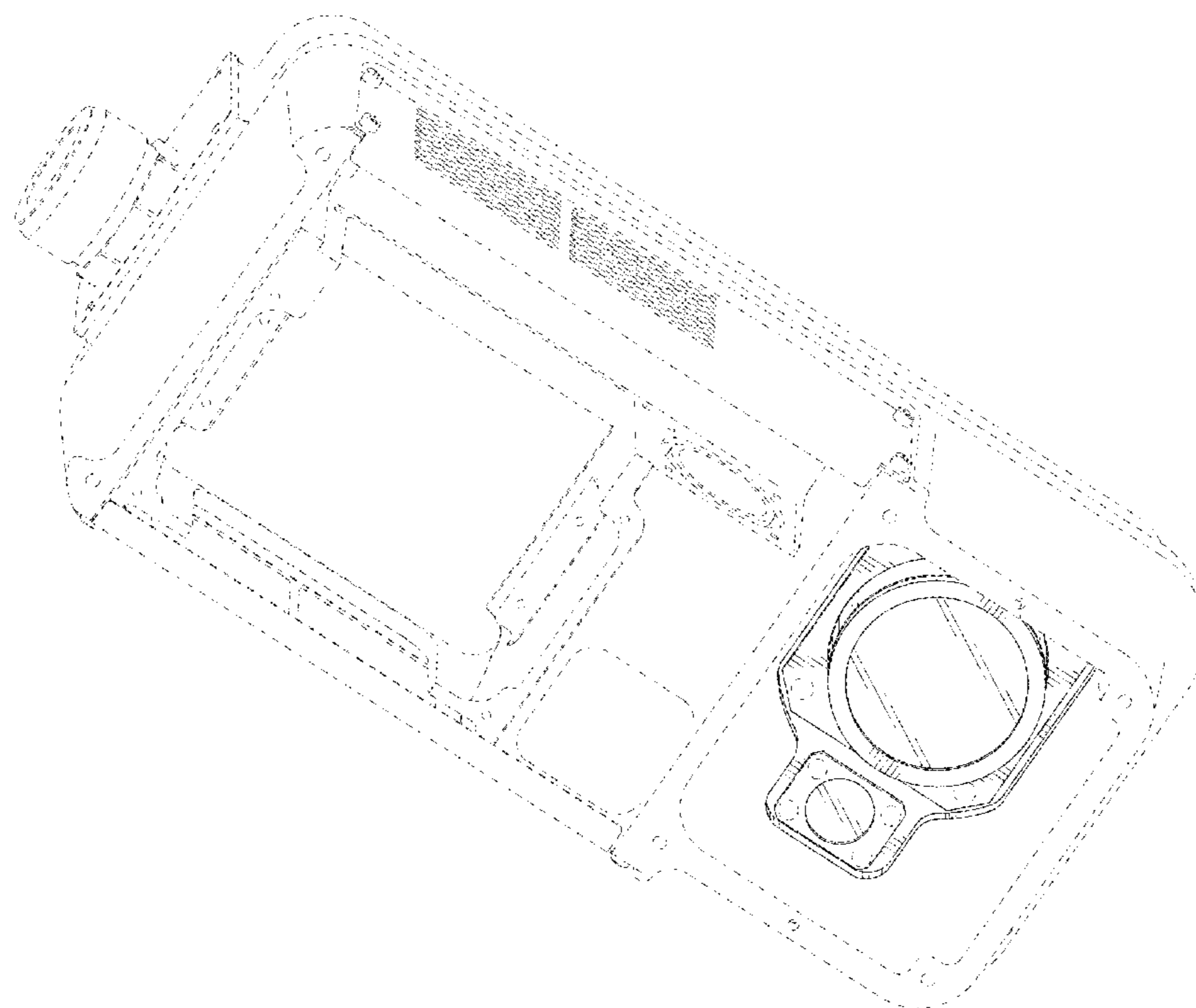
(56) **References Cited**

U.S. PATENT DOCUMENTS

D763,707 S \* 8/2016 Sinha ..... D10/50

\* cited by examiner

**1 Claim, 12 Drawing Sheets**



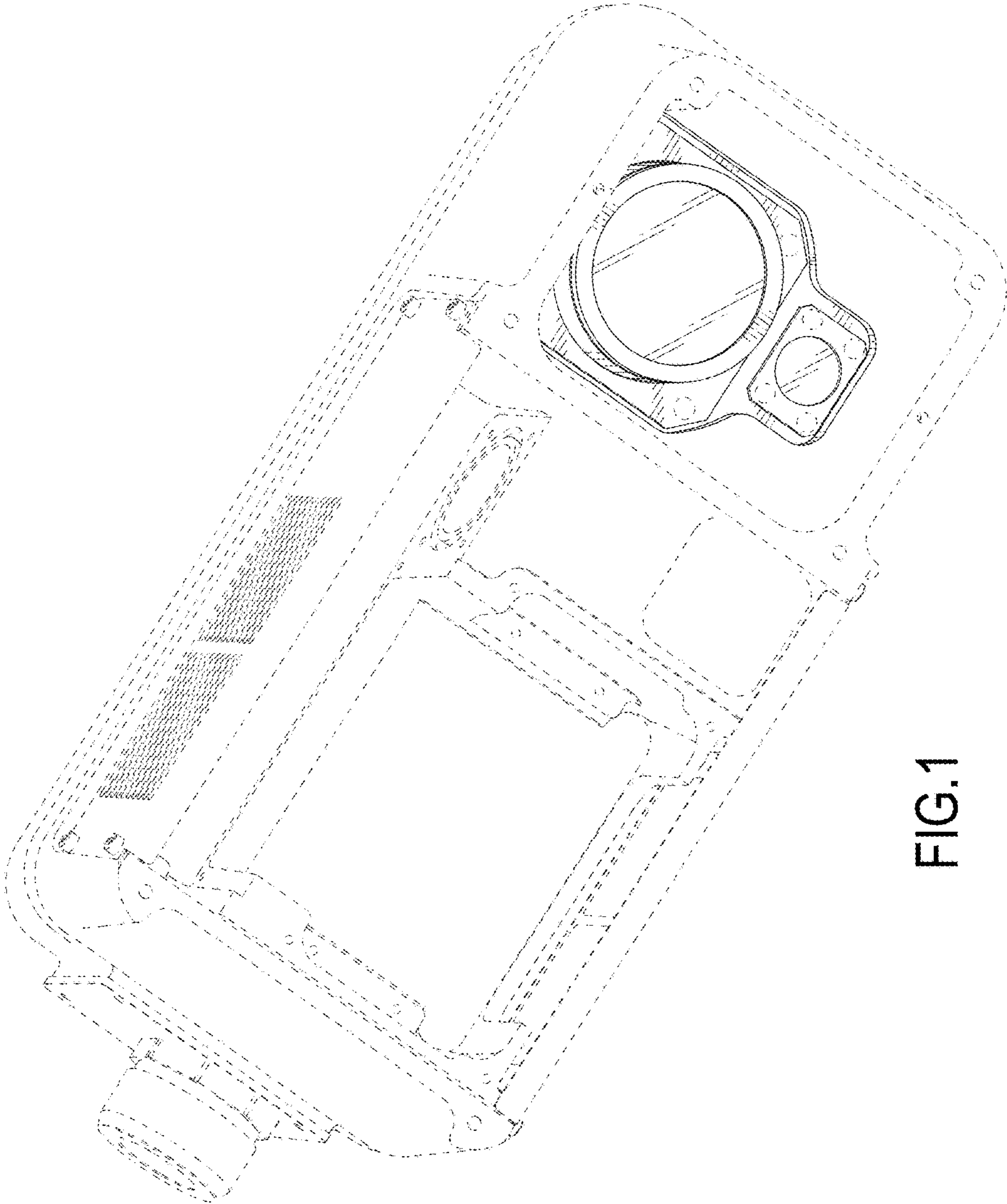


FIG.1

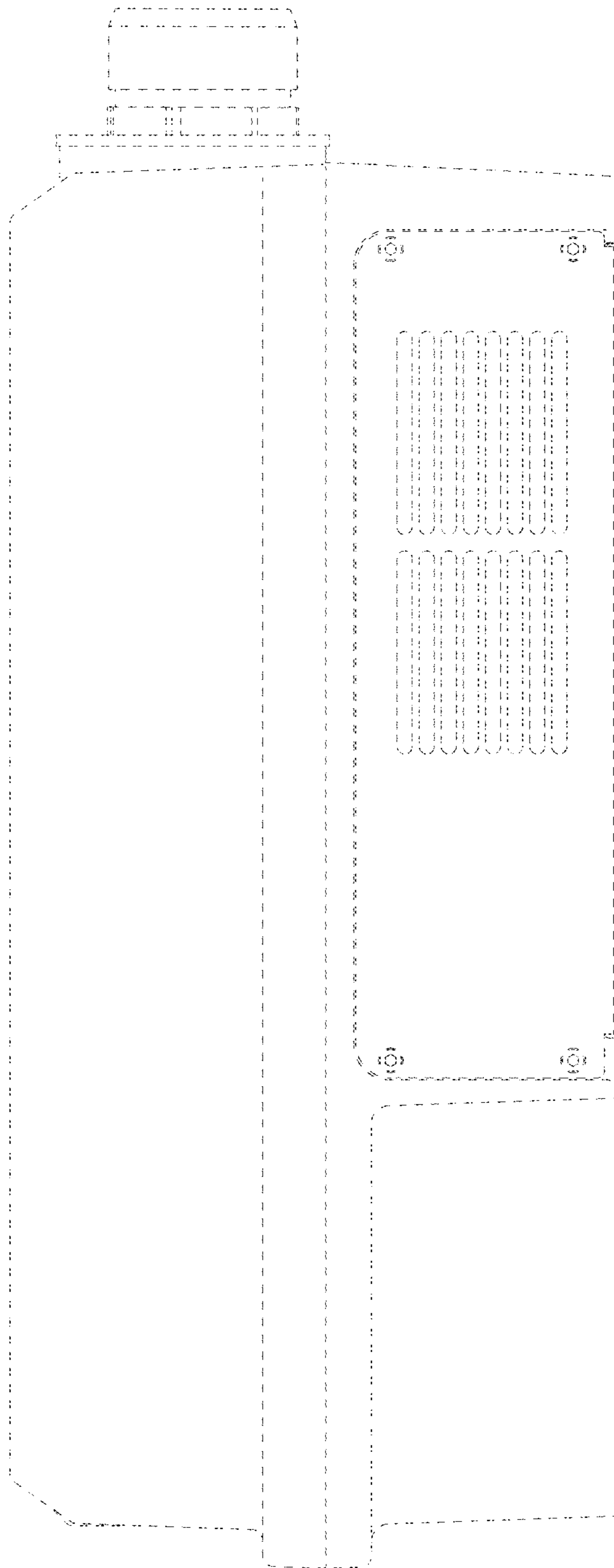


FIG. 2

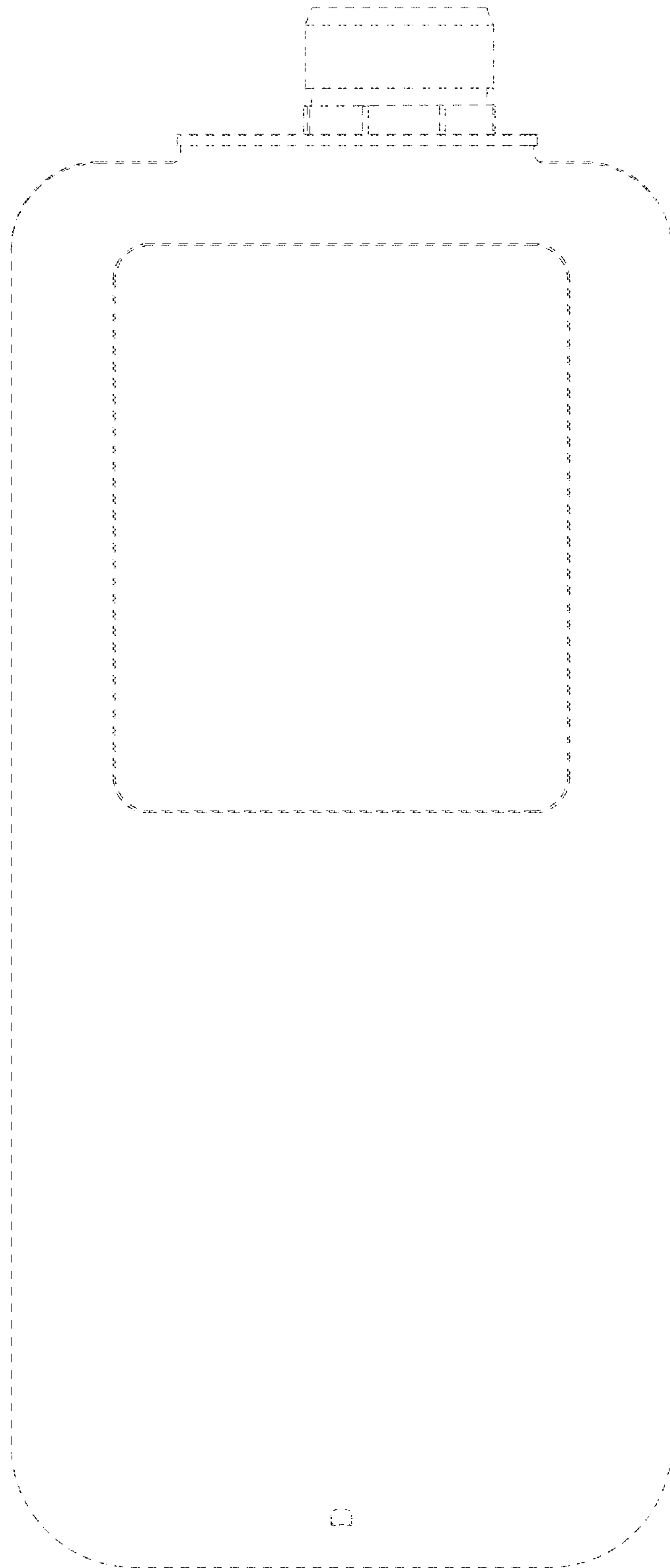


FIG. 3

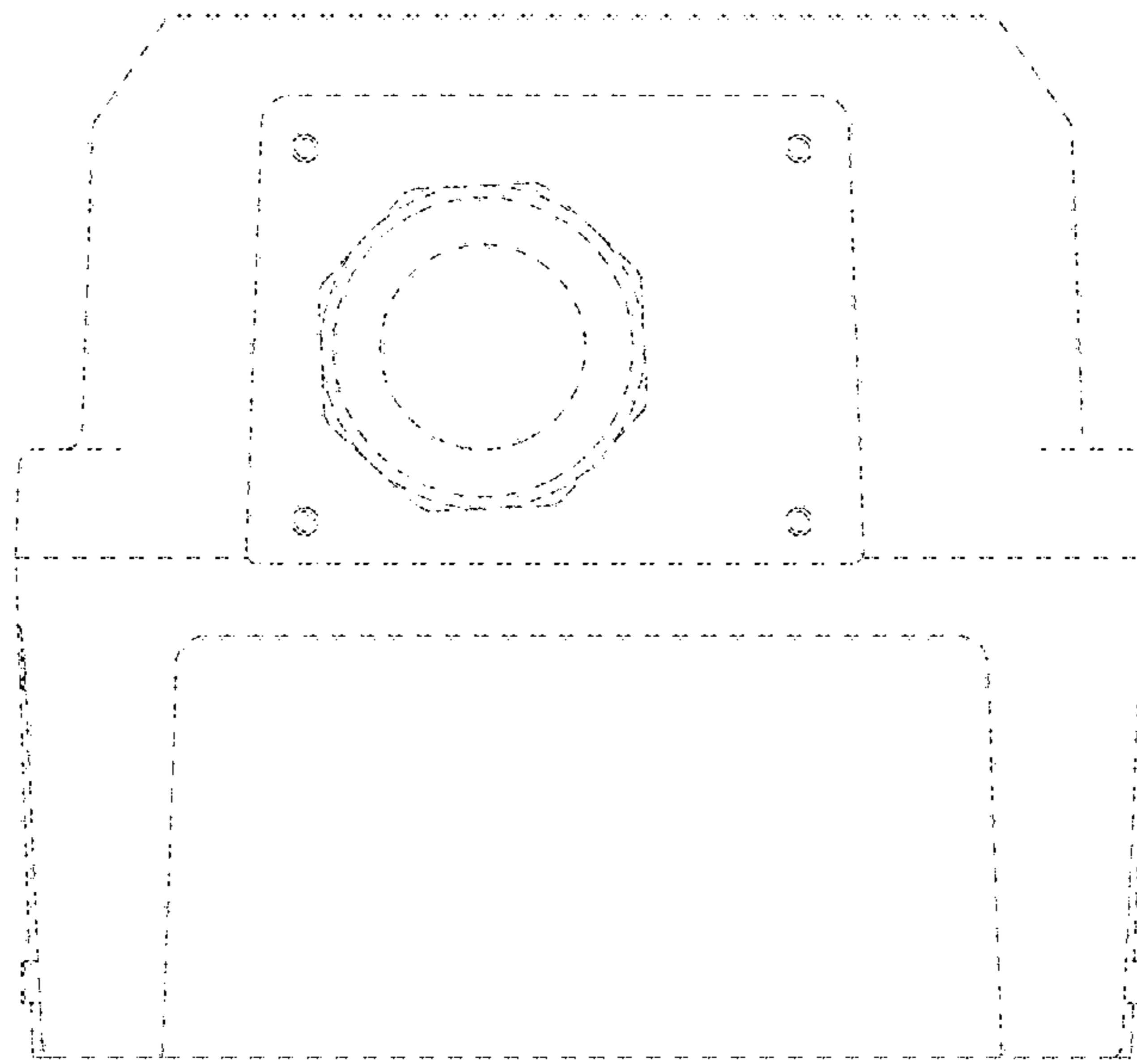


FIG. 4

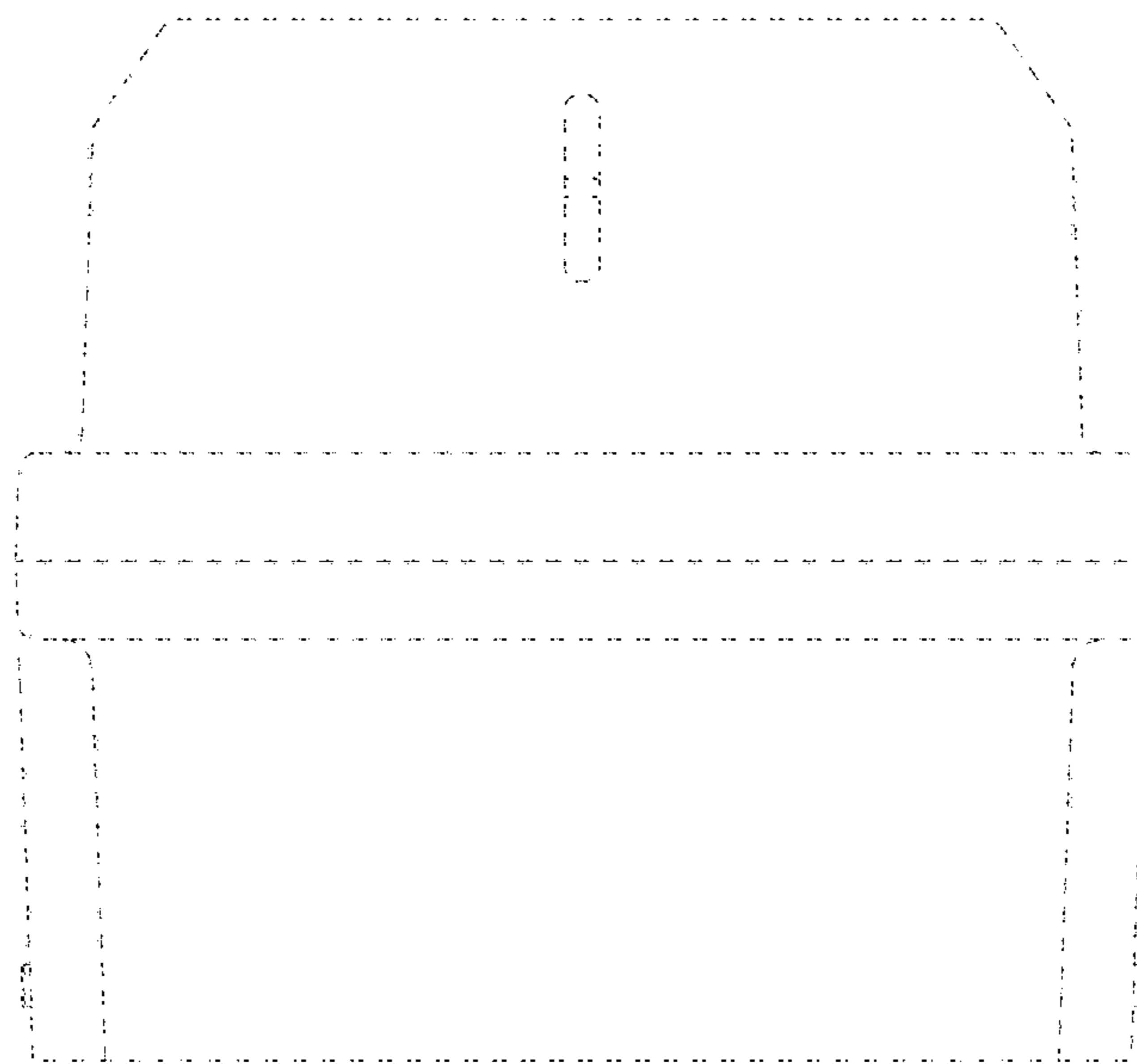


FIG. 5

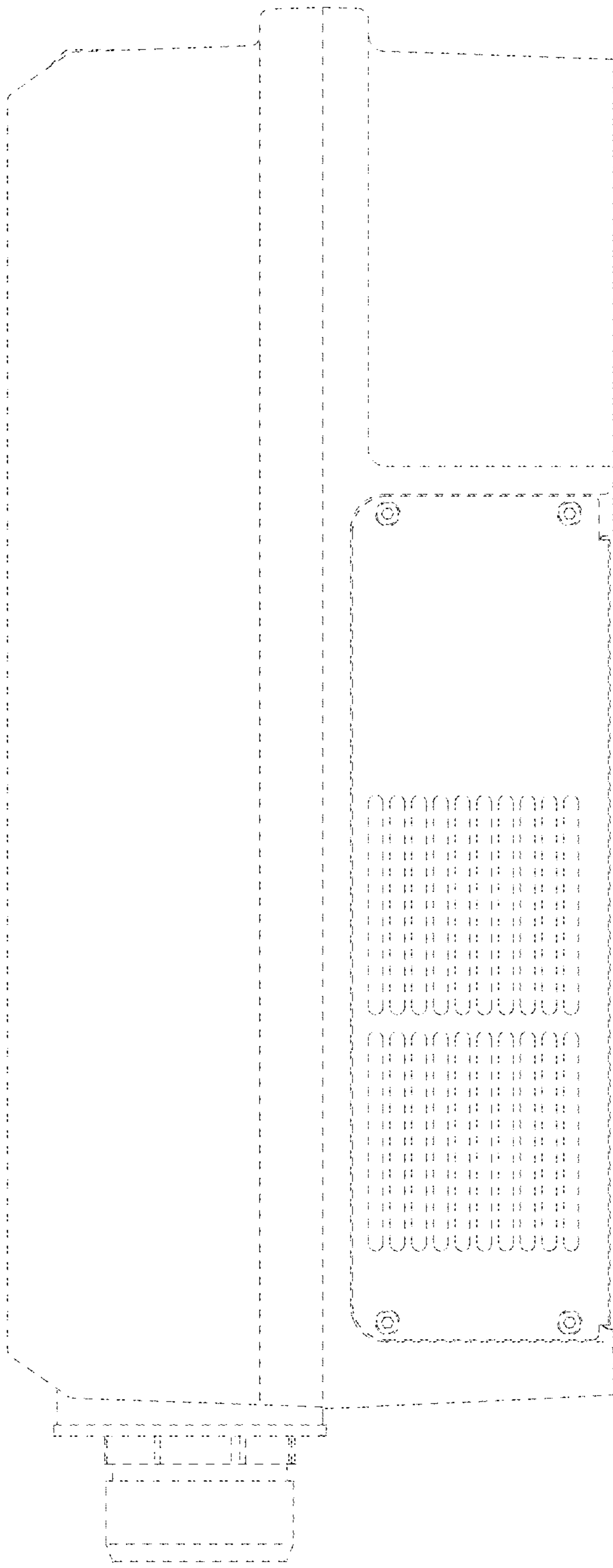


FIG. 6

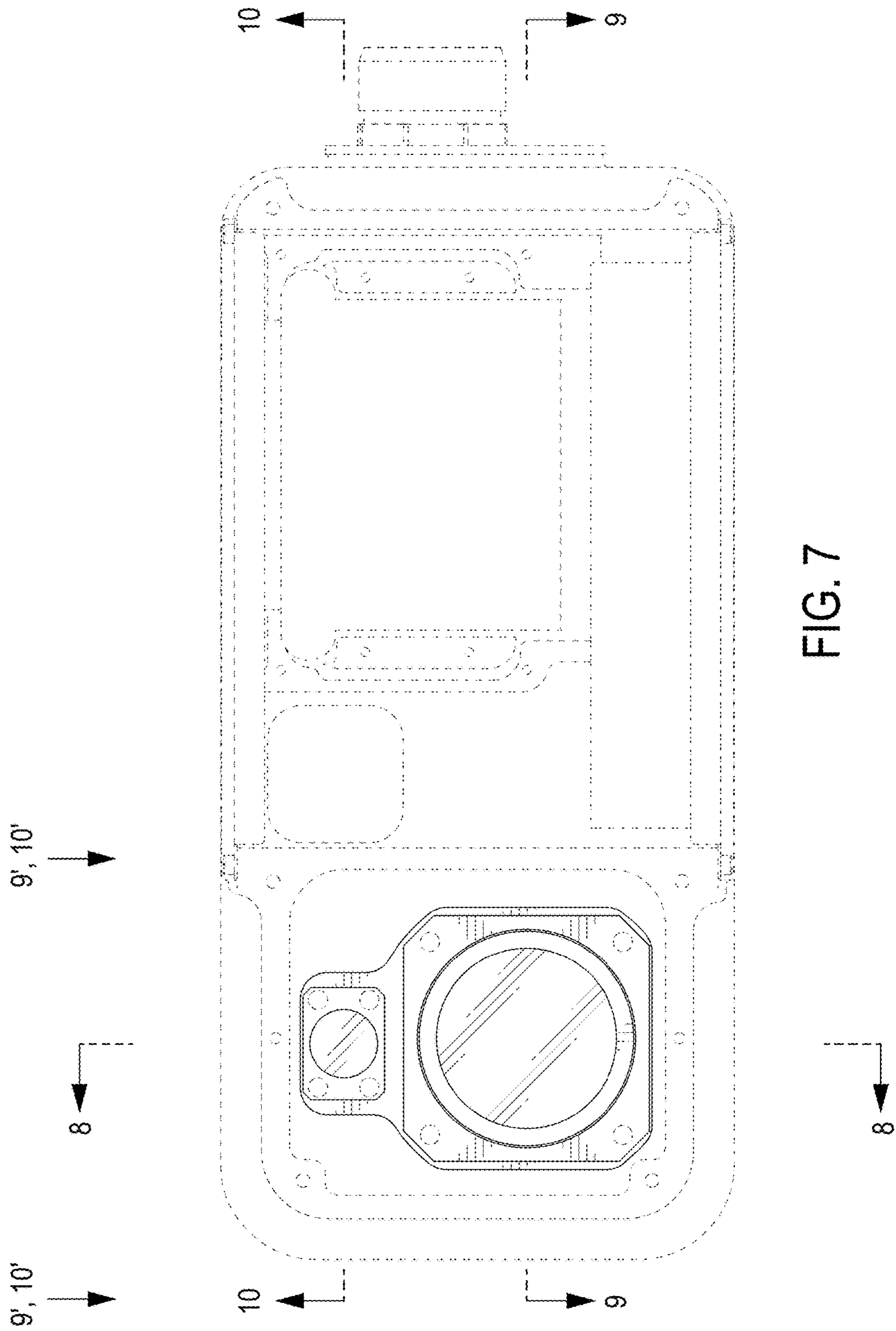


FIG. 7

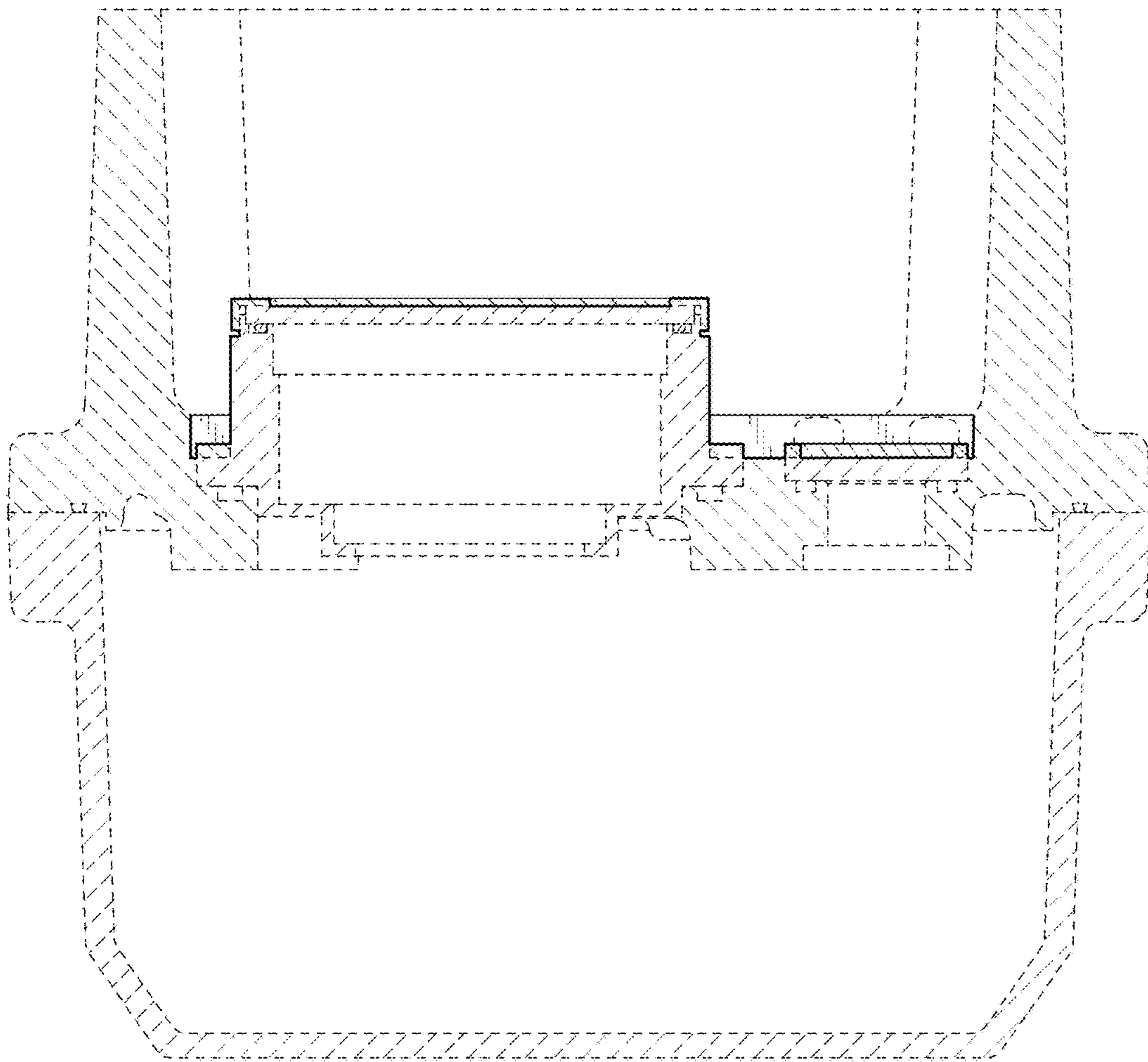


FIG. 8



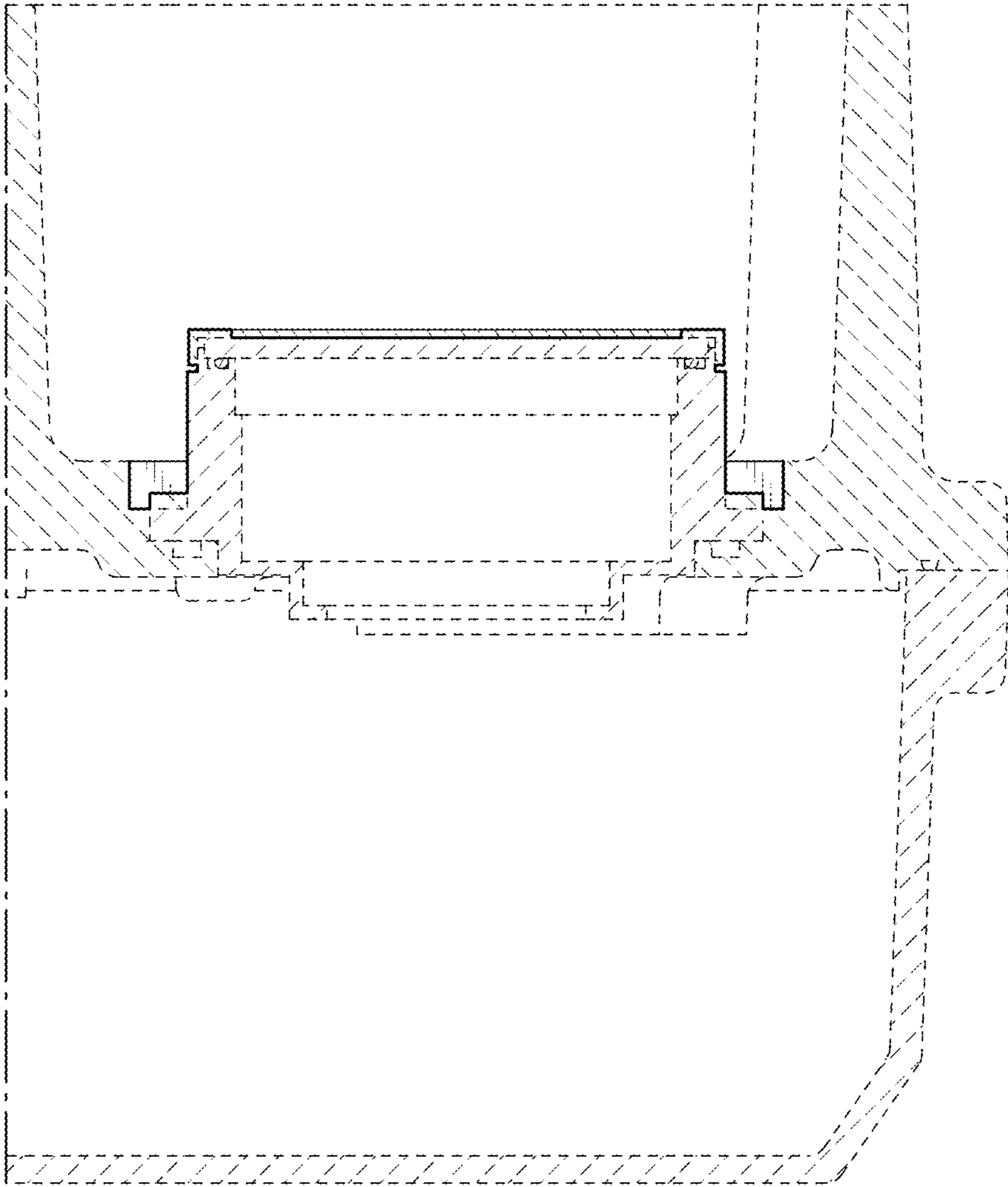


FIG. 9

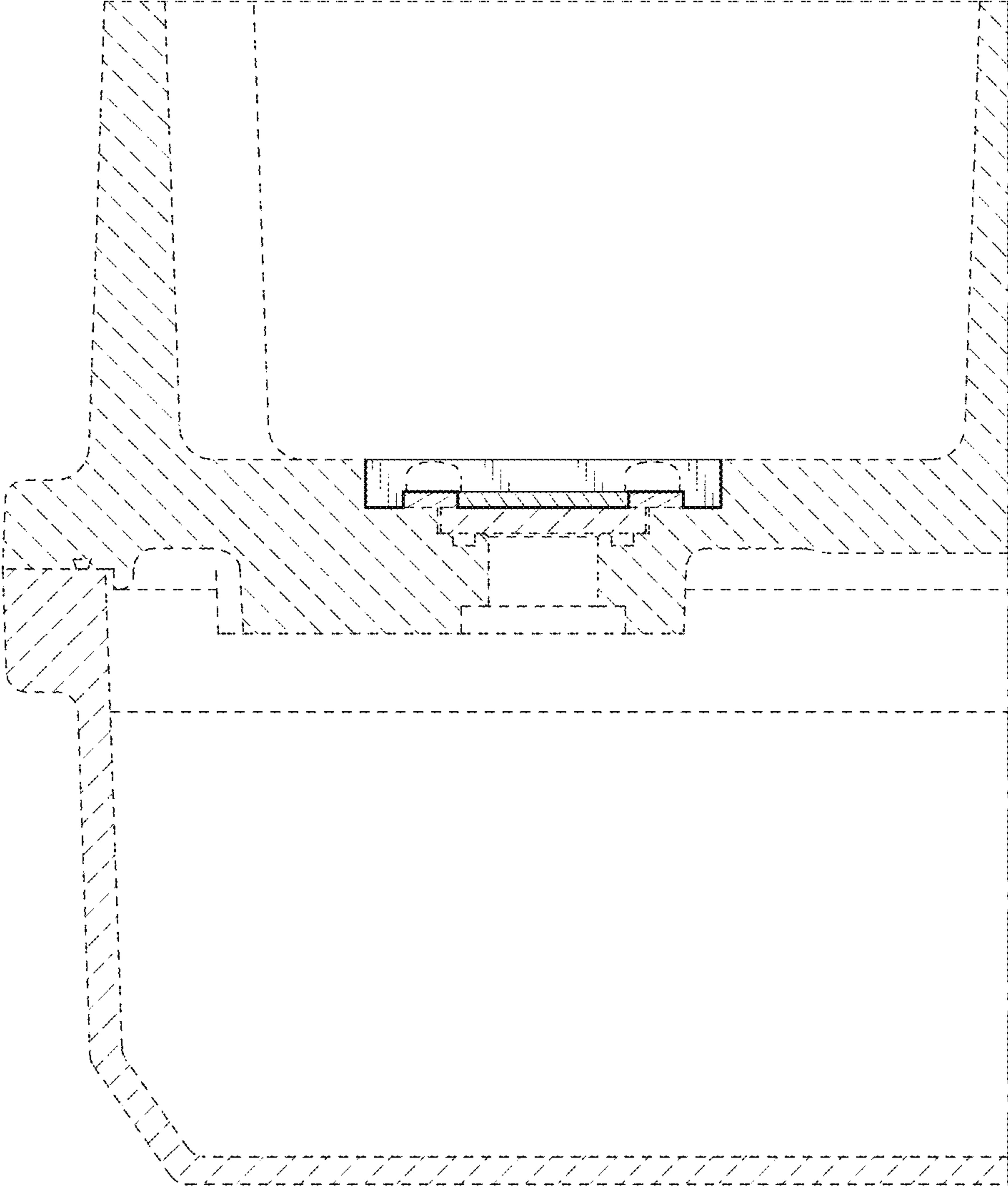


FIG. 10

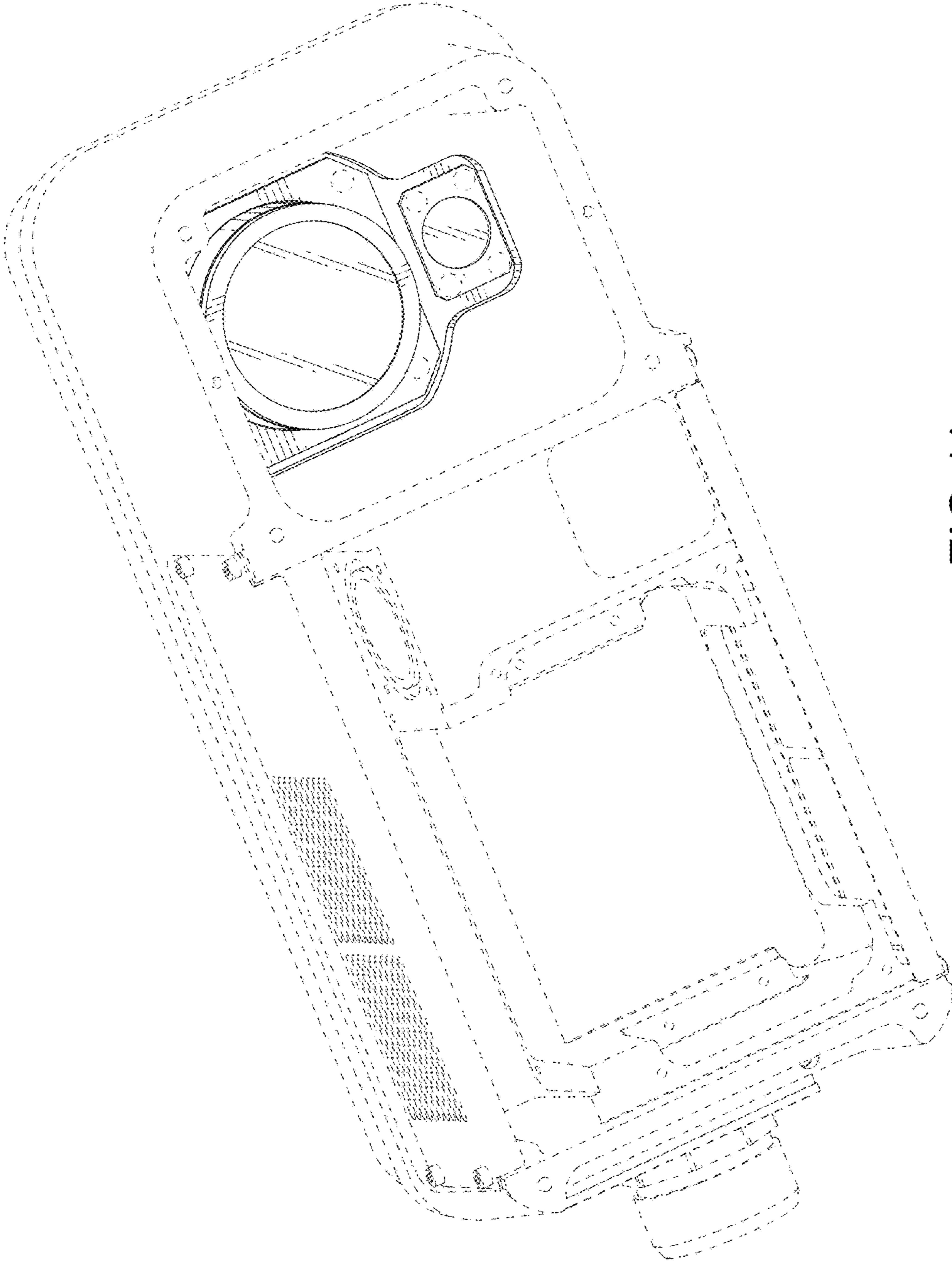


FIG.11

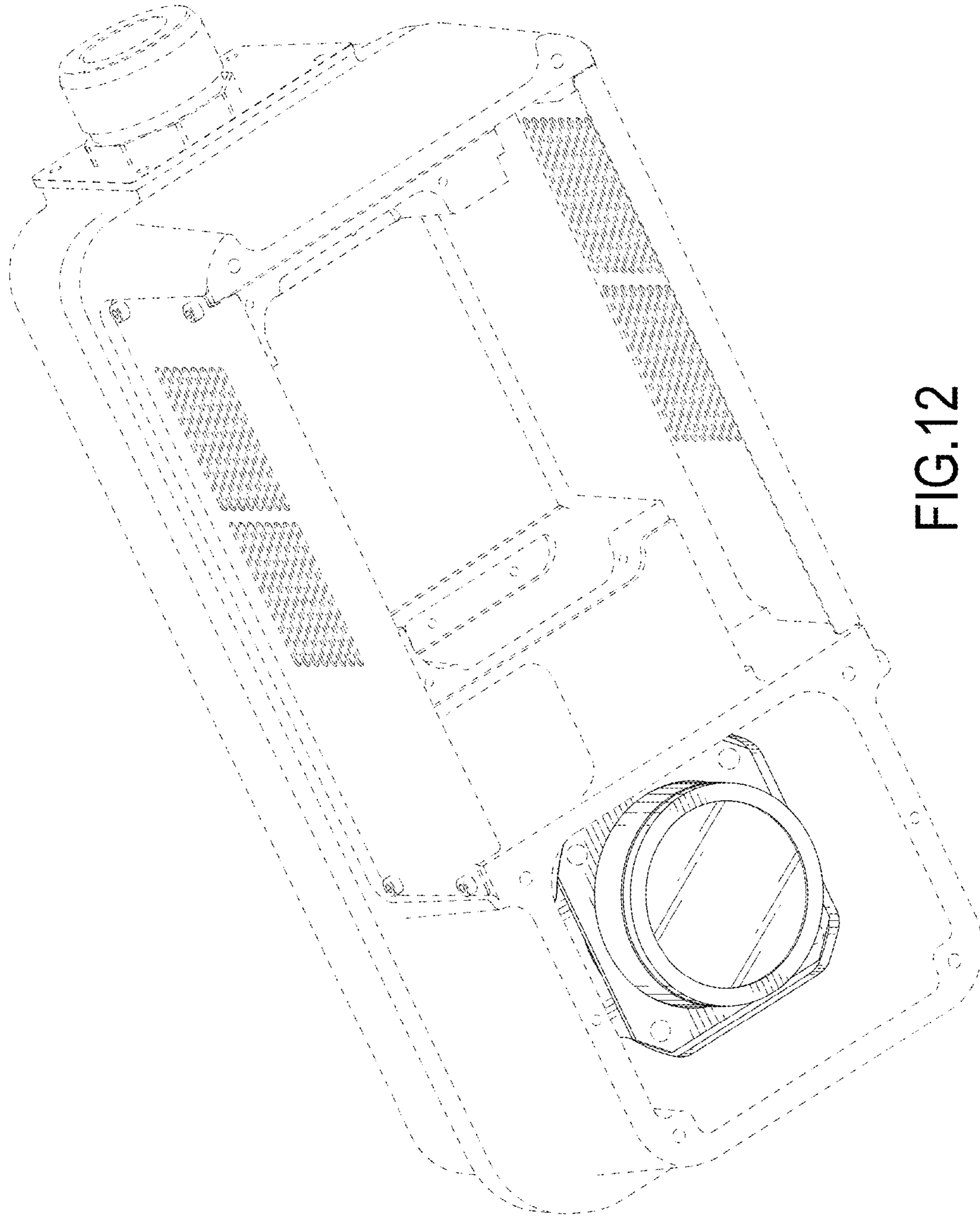


FIG.12

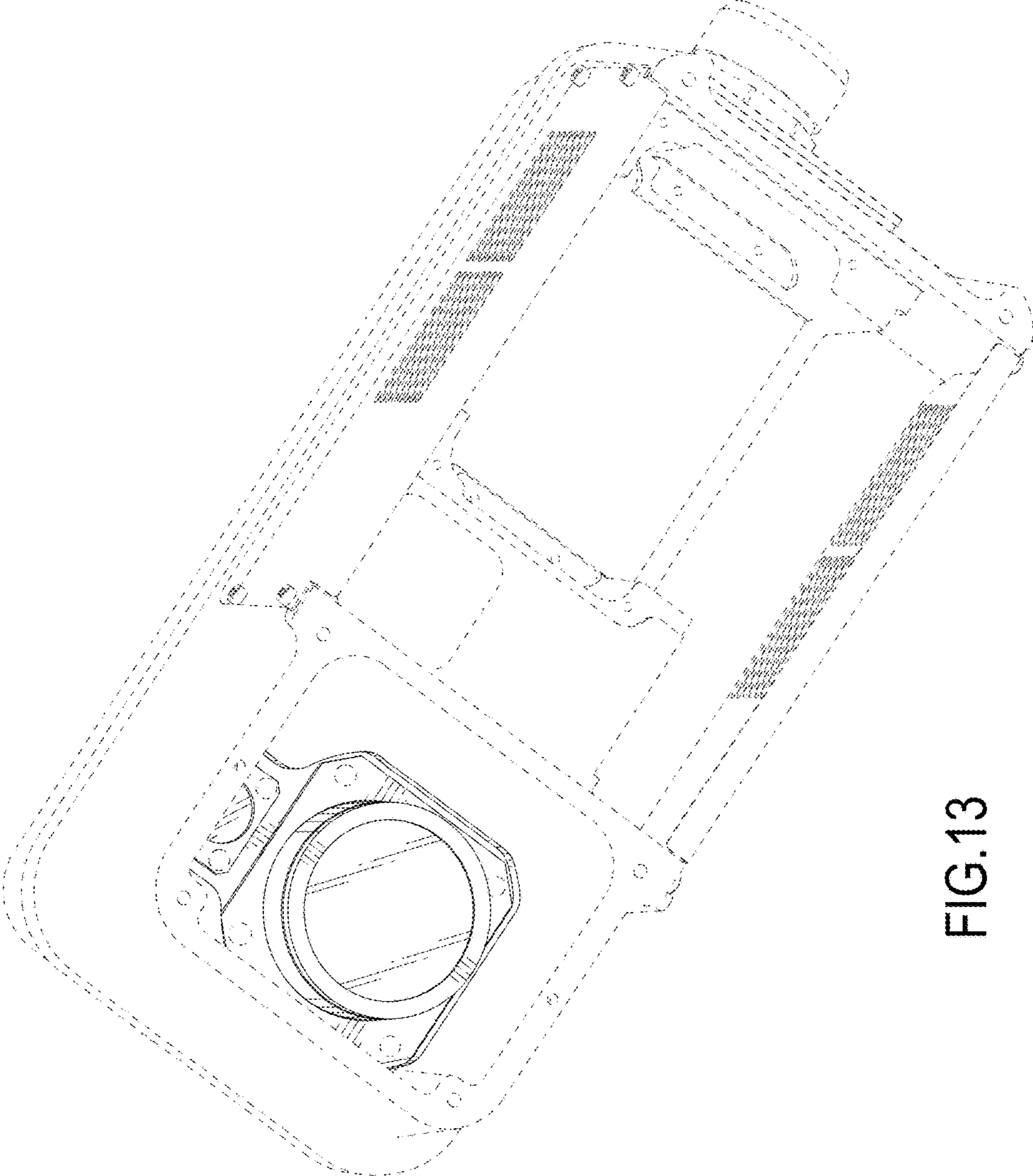


FIG.13