



US00D817387S

(12) **United States Design Patent** (10) **Patent No.:** **US D817,387 S**
Han et al. (45) **Date of Patent:** **** May 8, 2018**

(54) **TONER CARTRIDGE**

(71) Applicant: **S-Printing Solution Co., Ltd.**,
Suwon-si (KR)

(72) Inventors: **Minsu Han**, Suwon-si (KR); **Janghyun Son**, Seongnam-si (KR)

(73) Assignee: **S-Printing Solution Co., Ltd.**,
Suwon-si (KR)

(**) Term: **15 Years**

(21) Appl. No.: **29/531,232**

(22) Filed: **Jun. 24, 2015**

(30) **Foreign Application Priority Data**

Dec. 26, 2014 (KR) 30-2014-0063356

(51) **LOC (11) Cl.** **16-03**

(52) **U.S. Cl.**
USPC **D18/43**

(58) **Field of Classification Search**
USPC D14/471, 474, 475; D16/246; D18/12,
D18/36-39, 40, 43, 44, 49, 50-59;
347/121, 122, 222-224; 399/24-30,
399/107-125, 222-224, 252-262,
399/343-360; 222/DIG. 1
CPC G03G 15/00; G03G 15/08; G03G 15/0815;
G03G 15/0142; G03G 21/08; G03G
21/1814; G03G 21/1835; G03G 21/185;
G03G 21/1842; G03G 21/1857; G03G
21/1853; G03G 21/16-21/18; G06K
15/12; G06K 15/14; H04N 1/00129;
H04N 1/00278; H04N 1/00135; B41J
11/00; B41J 3/00; B41J 3/28

See application file for complete search history.

(56) **References Cited**

U.S. PATENT DOCUMENTS

D422,304	S	*	4/2000	Suzuki	D18/43
D539,335	S	*	3/2007	Jeon	D18/43
D588,633	S	*	3/2009	Oda	D18/43
D591,338	S	*	4/2009	Kusudo	D18/43
D601,183	S	*	9/2009	Ishikawa	D18/43
D638,054	S	*	5/2011	Sato	D18/43
D674,006	S	*	1/2013	Ohta	D18/43
D694,815	S	*	12/2013	Fukamachi	D18/43
D718,380	S	*	11/2014	Mori	D18/43

* cited by examiner

Primary Examiner — Wan Laymon

Assistant Examiner — Clint A Samuel

(74) *Attorney, Agent, or Firm* — NSIP Law

(57) **CLAIM**

We claim the ornamental design for a toner cartridge, as shown and described.

DESCRIPTION

FIG. 1 is a front perspective view of a toner cartridge showing our new design;
FIG. 2 is a front view thereof;
FIG. 3 is a rear view thereof;
FIG. 4 is a left-side view thereof;
FIG. 5 is a right-side view thereof;
FIG. 6 is a top view thereof; and,
FIG. 7 is a bottom view thereof.

The broken lines illustrating portions of the toner cartridge are for environmental purposes only and form no part of the claimed design.

1 Claim, 6 Drawing Sheets

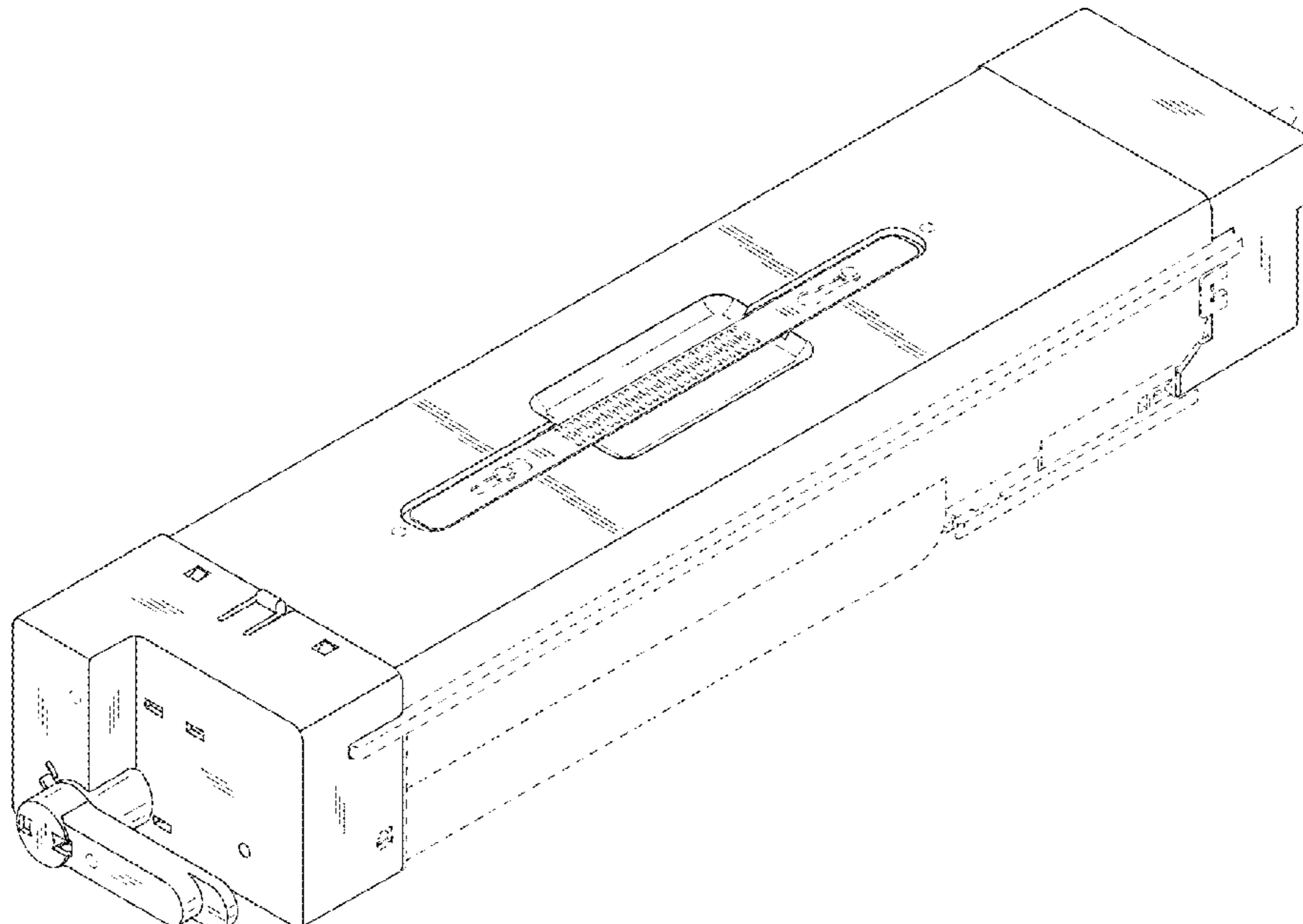


FIG.1

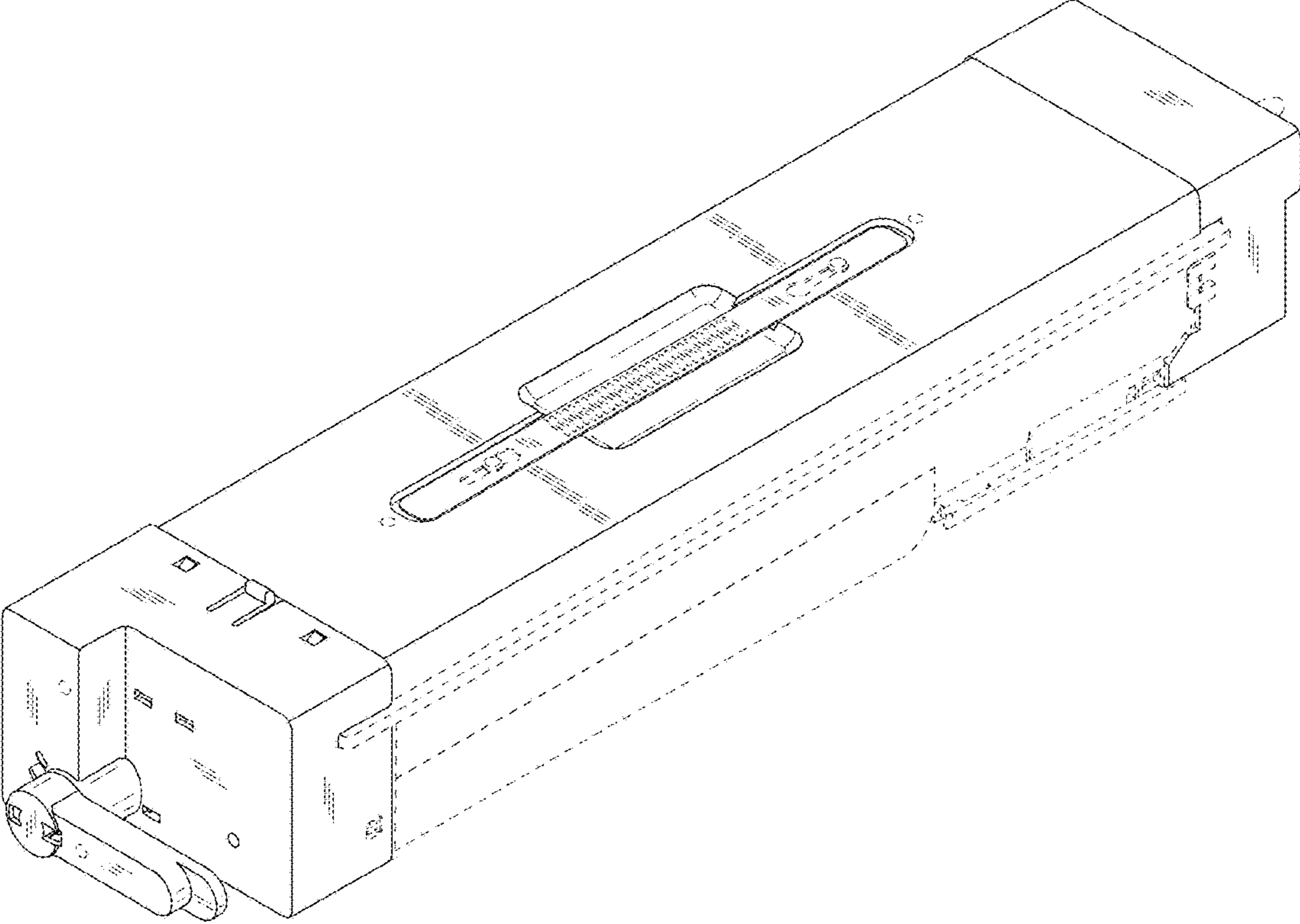


FIG.2

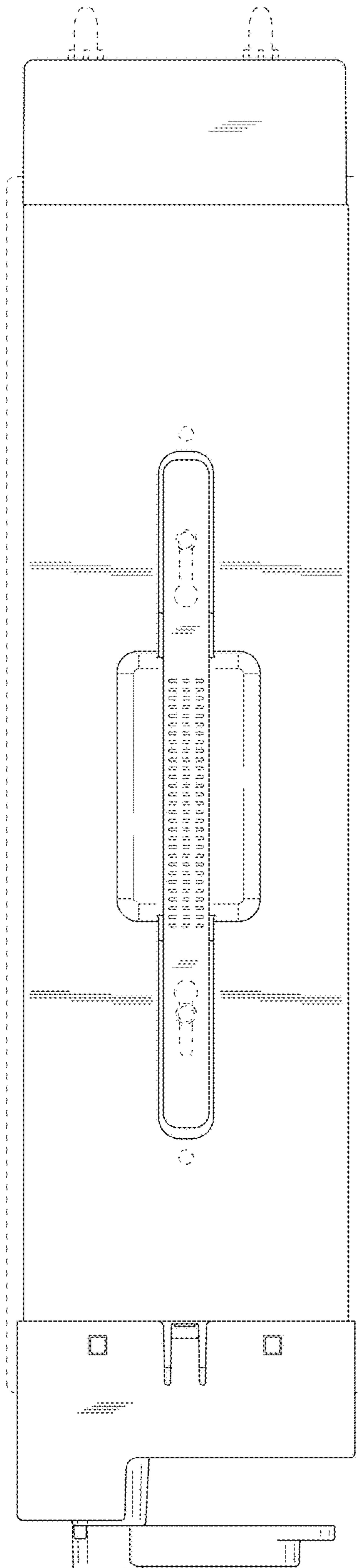


FIG.3

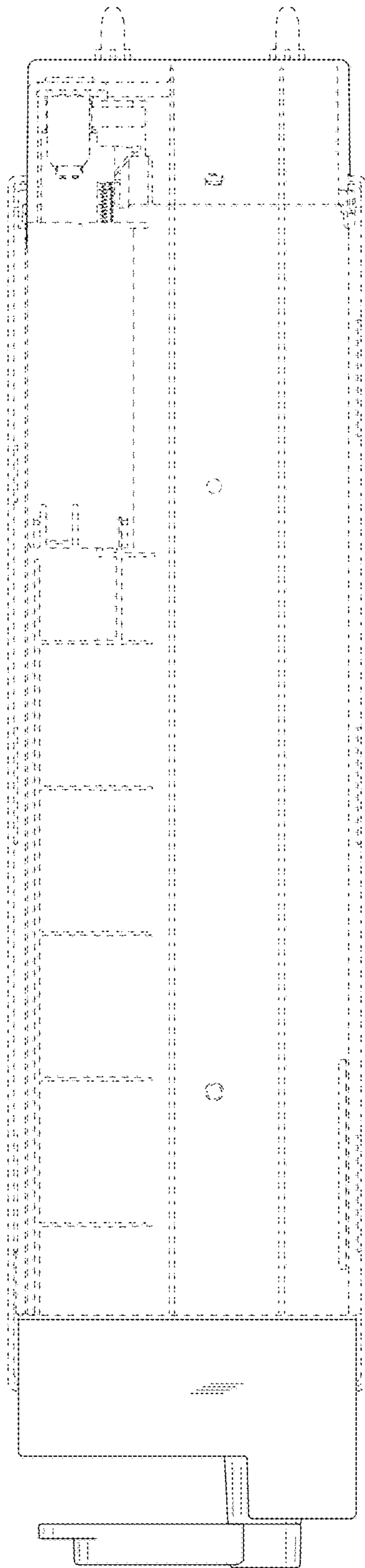


FIG.4

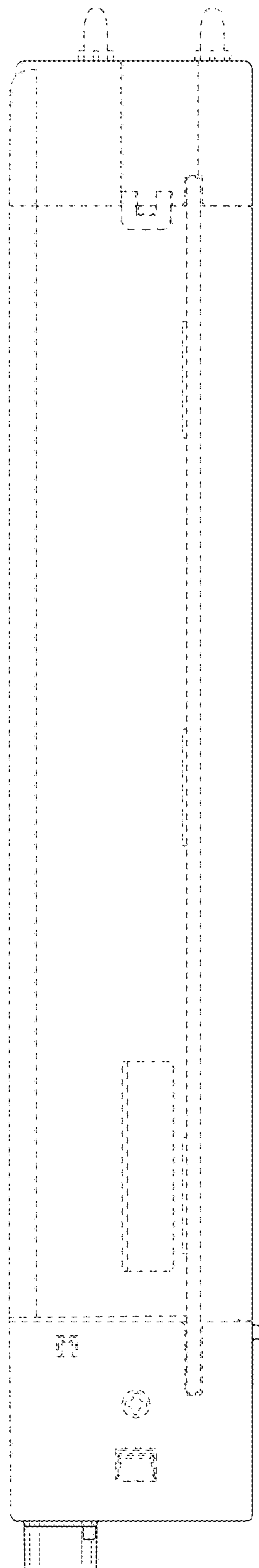


FIG.5

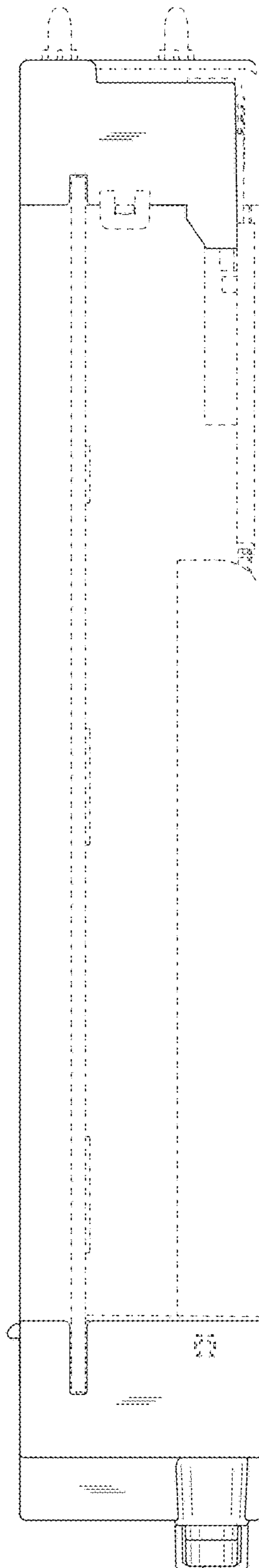


FIG.6

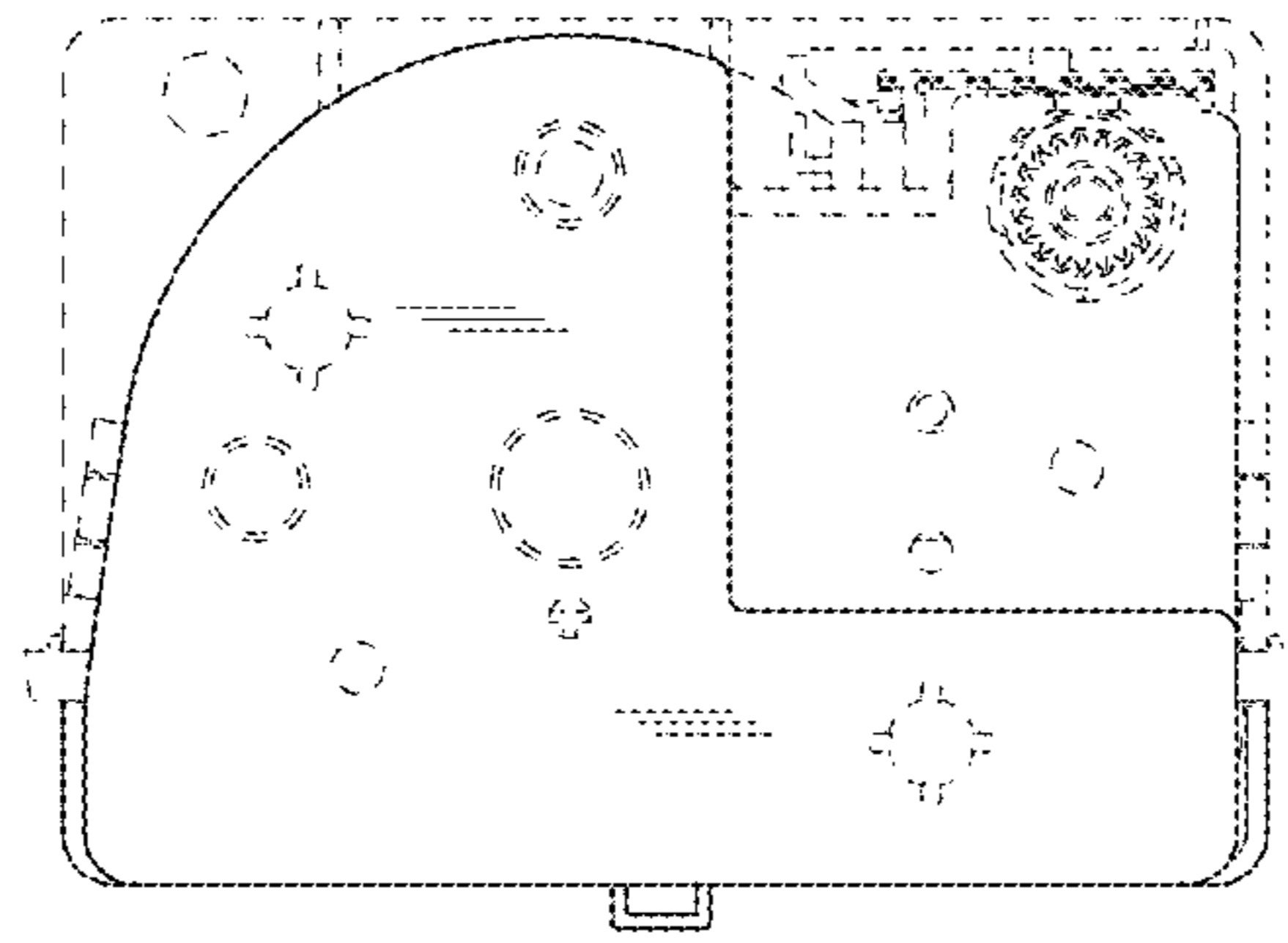


FIG.7

