



US00D817386S

(12) **United States Design Patent**
Graham

(10) **Patent No.:** **US D817,386 S**

(45) **Date of Patent:** **** May 8, 2018**

(54) **ELECTRONIC DEVICE FOR MUSICAL INSTRUMENT**

(71) Applicant: **Roger William Graham**, Santa Barbara, CA (US)

(72) Inventor: **Roger William Graham**, Santa Barbara, CA (US)

(**) Term: **14 Years**

(21) Appl. No.: **29/524,511**

(22) Filed: **Apr. 21, 2015**

(51) **LOC (11) Cl.** **17-99**

(52) **U.S. Cl.**
USPC **D17/99**

(58) **Field of Classification Search**
USPC D14/217; D17/20, 99; 84/711, 721, 746;
700/94
CPC G10H 1/32; G10H 1/46; G06F 17/00
See application file for complete search history.

(56) **References Cited**

U.S. PATENT DOCUMENTS

D235,779 S *	7/1975	Barr	D10/46
D236,212 S *	8/1975	Beigel	D14/188
D244,215 S *	5/1977	Ross	D14/217
5,022,305 A	6/1991	Butler		
5,627,336 A *	5/1997	Stevens	G10H 1/0555 84/746
D405,461 S	2/1999	Excellente		
D421,621 S *	3/2000	Cooper	84/454
D504,458 S *	4/2005	Edwards	D17/20
D518,086 S *	3/2006	Ito	D17/99

D561,241 S	2/2008	Ridinger		
7,476,799 B2	1/2009	Purchon		
7,711,442 B2	5/2010	Ryle		
D630,616 S *	1/2011	Vex	D14/217
D682,346 S *	5/2013	Bogdan	D17/20
8,525,015 B2	9/2013	Armstrong		
8,609,973 B2	12/2013	D'Amours		
D752,130 S *	3/2016	Alstad	D17/20
2008/0173164 A1	7/2008	Francis		
2009/0199700 A1	8/2009	Goldstein		
2012/0297963 A1 *	11/2012	Armstrong	G10H 1/348 84/746
2014/0123839 A1	5/2014	Gadol		

* cited by examiner

Primary Examiner — Karen S Acker

Assistant Examiner — Steven B Reinholdt, Jr.

(74) *Attorney, Agent, or Firm* — Roger W. Graham

(57) **CLAIM**

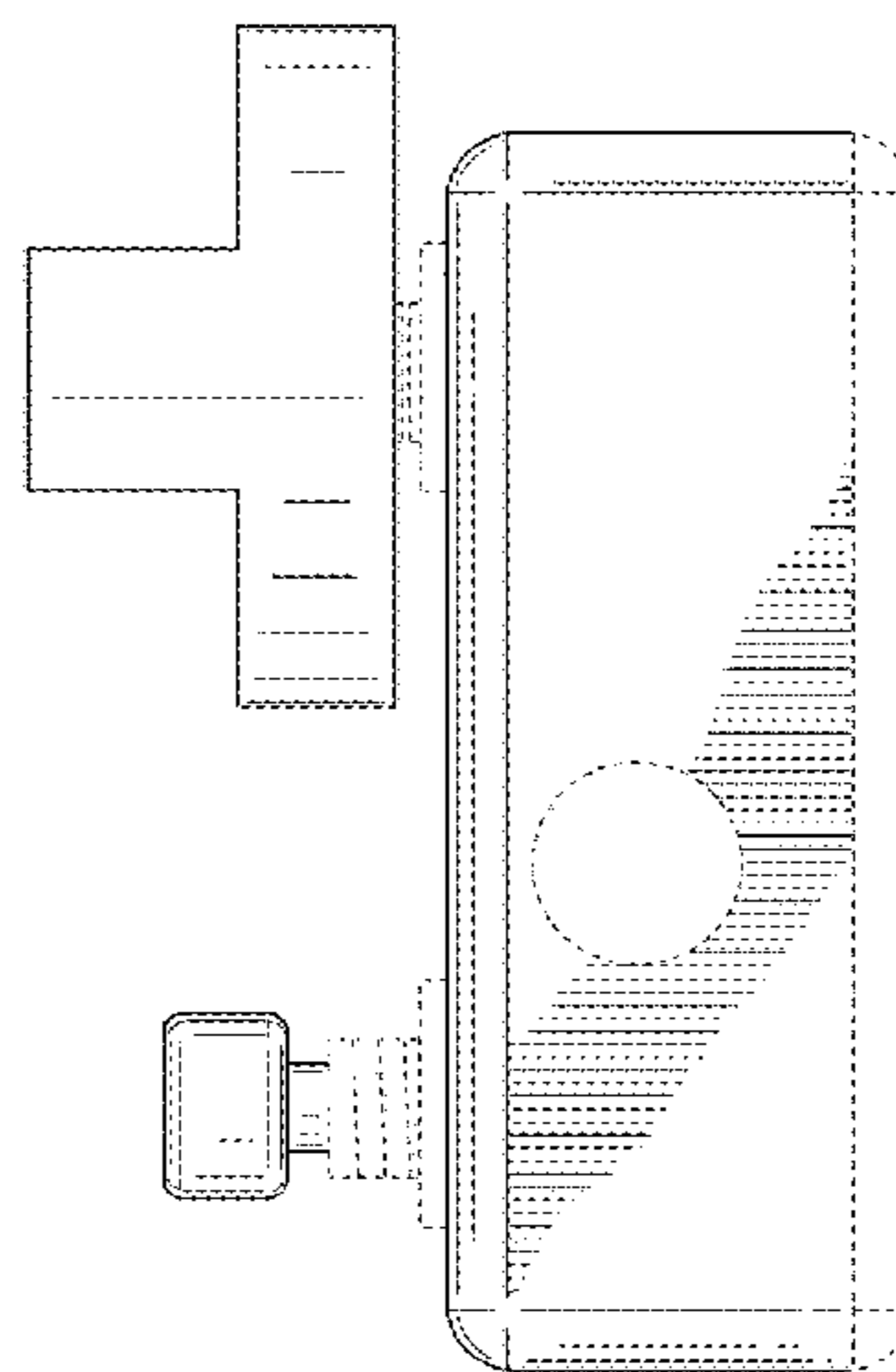
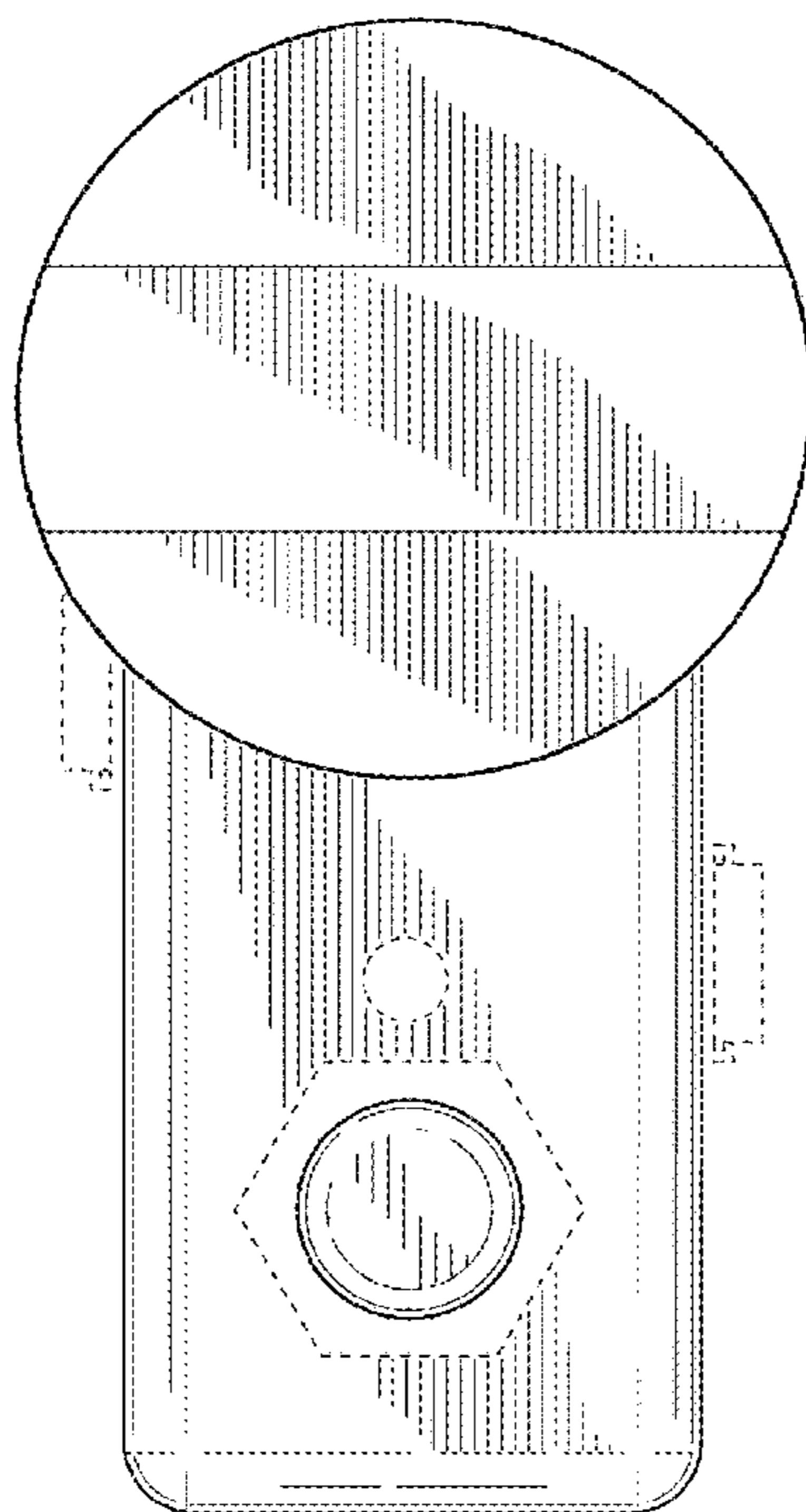
The ornamental design for an electronic device for musical instrument, as shown and described.

DESCRIPTION

FIG. 1 is a top view of the electronic device for musical instrument illustrating my new ornamental design; FIG. 2 is a left side view thereof; FIG. 3 is a right side view thereof; FIG. 4 is a front view thereof; and, FIG. 5 is a rear view thereof.

The broken lines in the figures show portions of the electronic device for musical instrument that form no part of the claimed design.

1 Claim, 3 Drawing Sheets



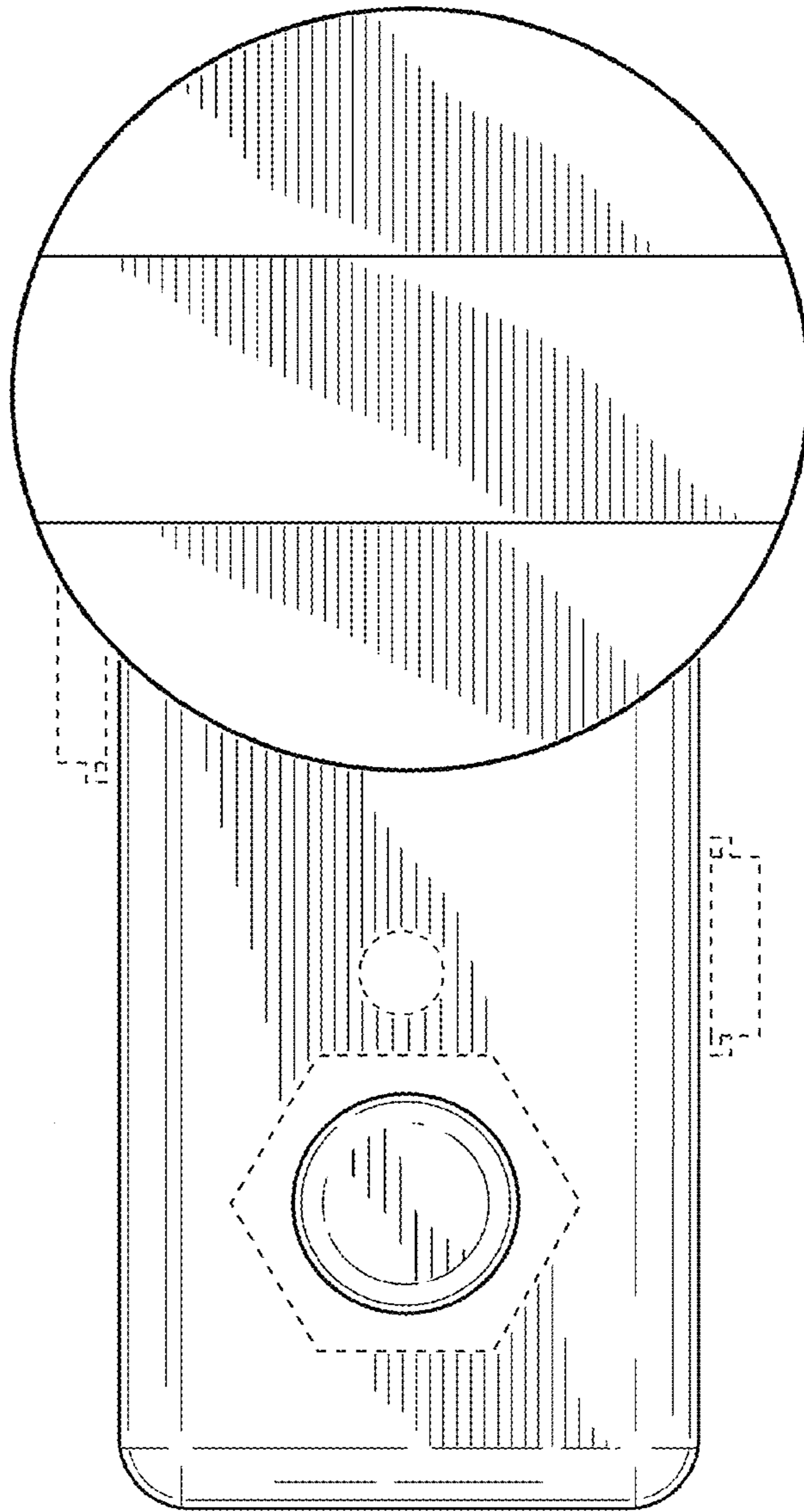


FIG. 1

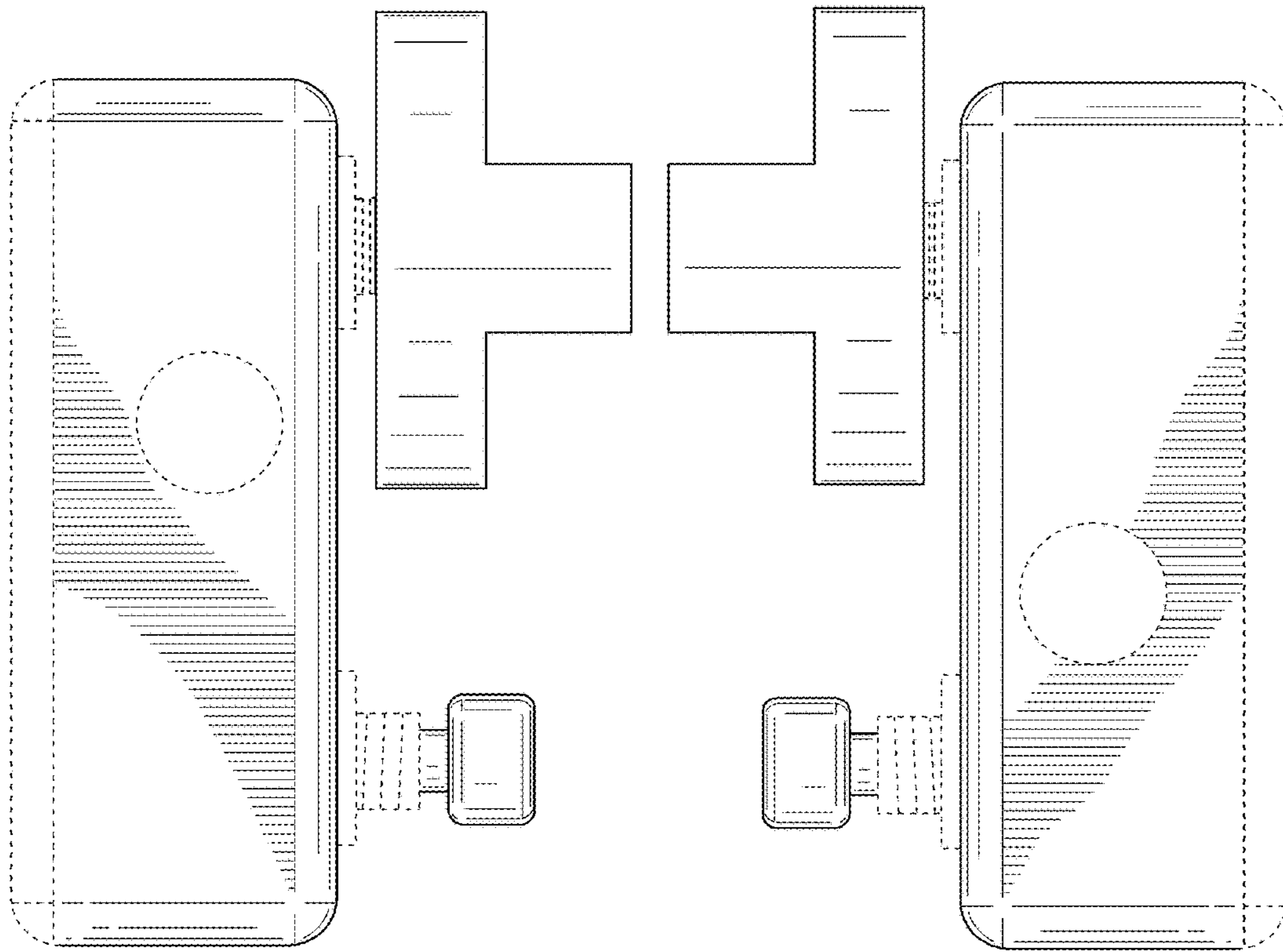


FIG. 2

FIG. 3

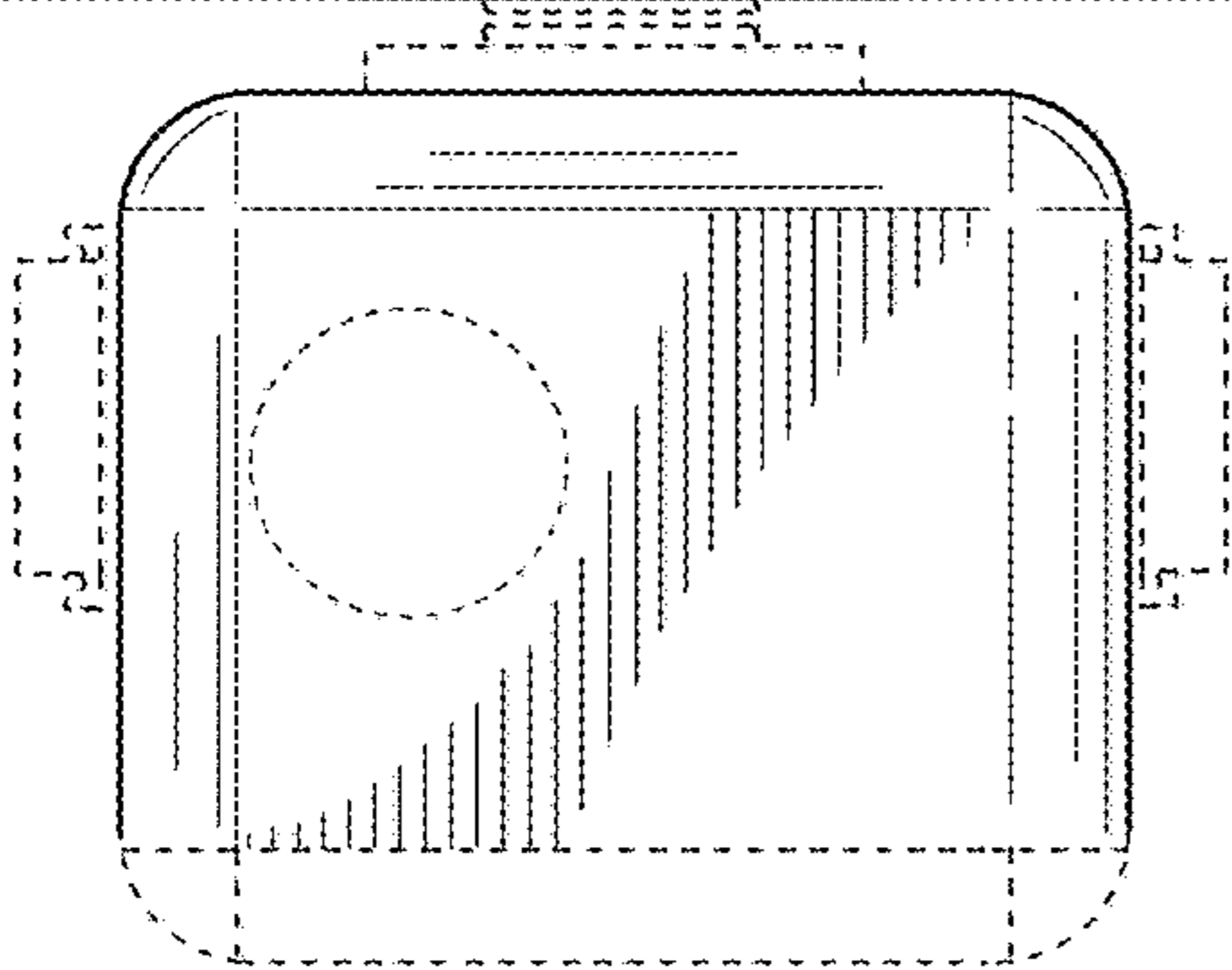
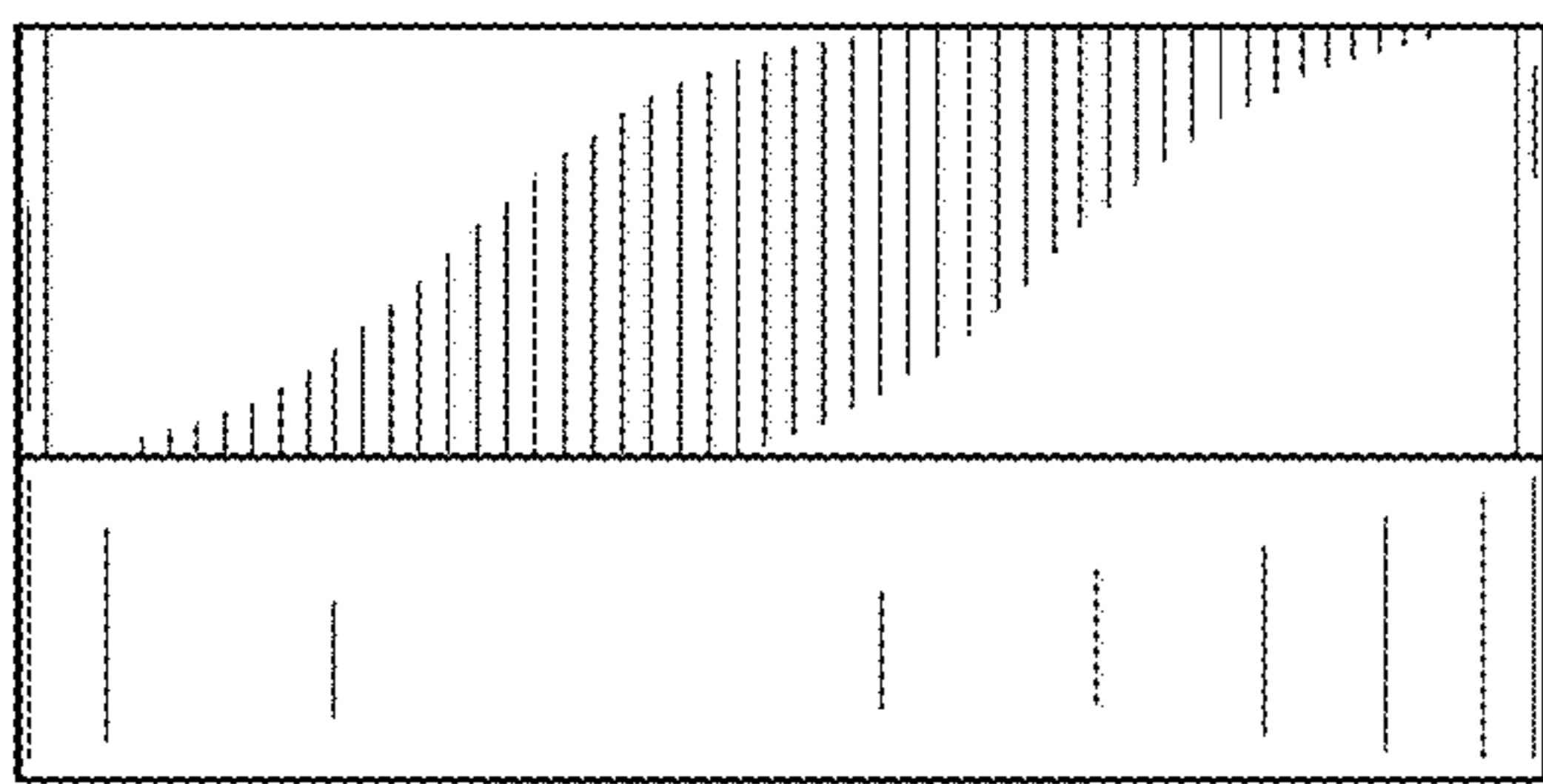


FIG. 4

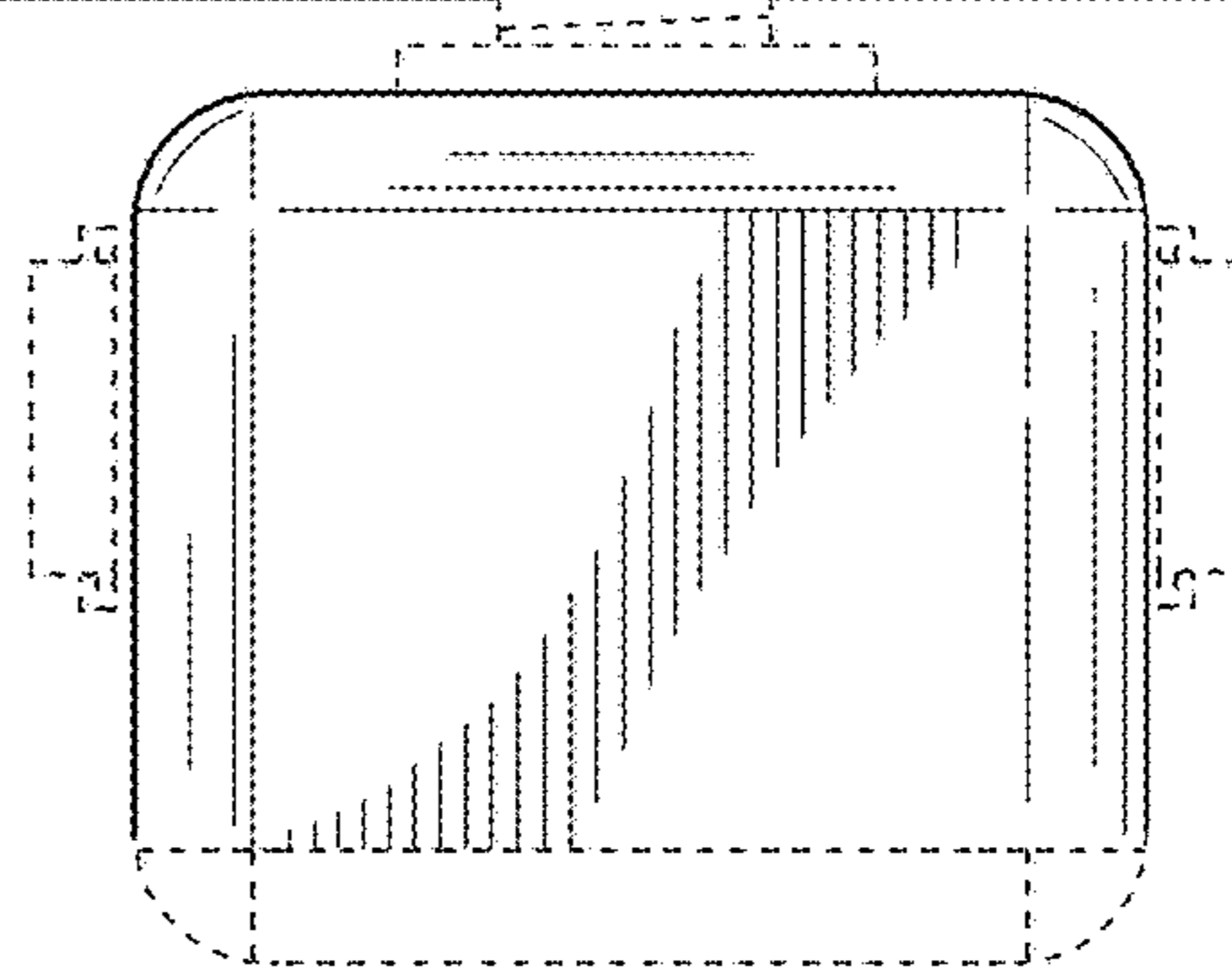
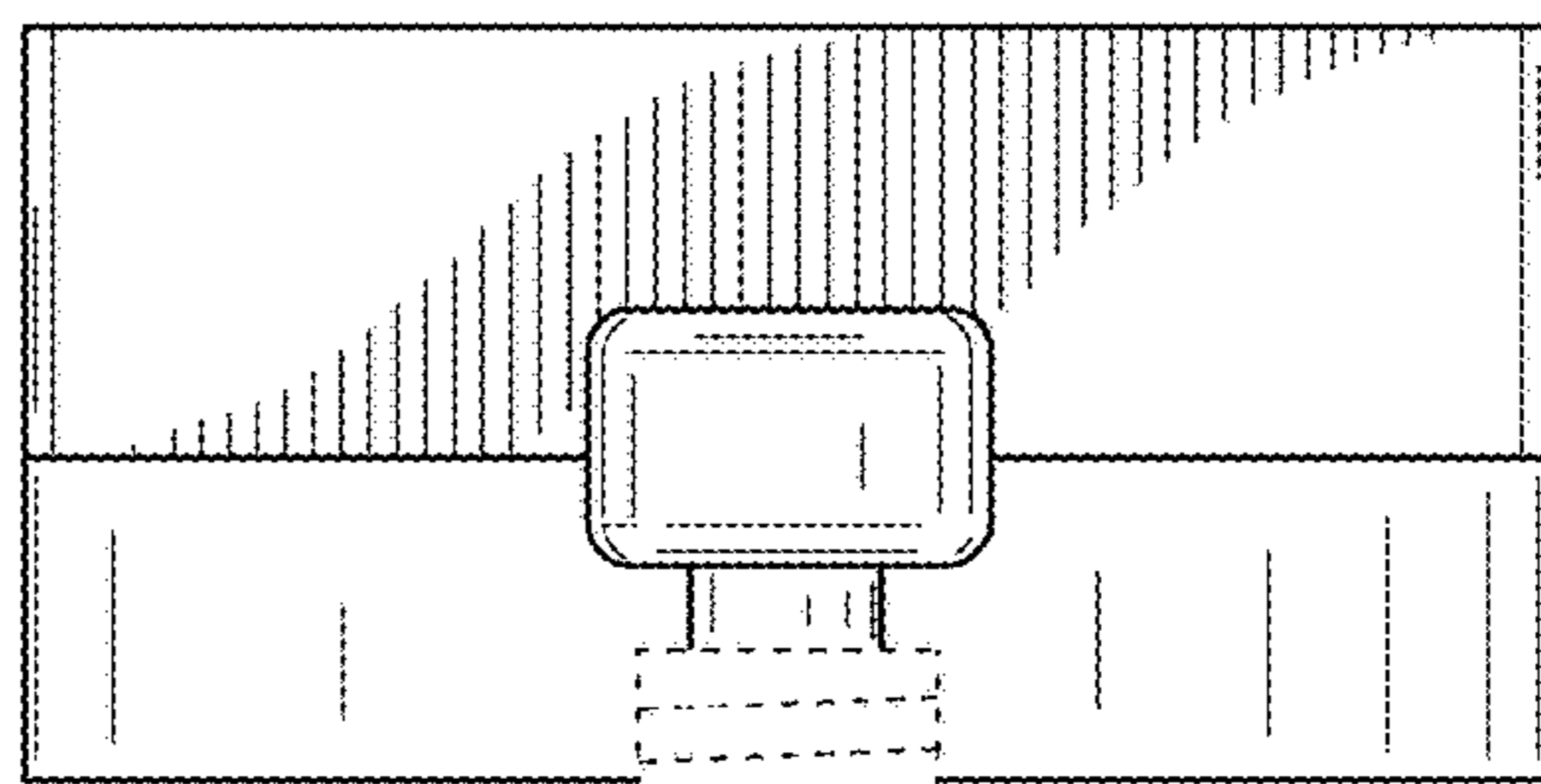


FIG. 5