



US00D817383S

(12) **United States Design Patent** (10) **Patent No.:** **US D817,383 S**
Hughes (45) **Date of Patent:** **** May 8, 2018**

(54) **GUITAR**

FOREIGN PATENT DOCUMENTS

(71) Applicant: **Gary Lee Hughes**, Frazier Park, CA
(US)

FR 2686182 A1 * 7/1993 G10H 3/18
FR 2841028 A1 * 12/2003 G10D 1/08
GB 4012834 * 10/2009

(72) Inventor: **Gary Lee Hughes**, Frazier Park, CA
(US)

OTHER PUBLICATIONS

(**) Term: **15 Years**

Absurd Maers Blog, B.C.Rich USA Bich 8 Strings Bass, posted on Apr. 2, 2015, [online], [site visited on Aug. 23, 2017]. Available from Internet, URL: <http://absurdmaers.blogspot.com/2015/04/bcrich-usa-bich-8-strings-bass.html> (Year: 2015).*

(21) Appl. No.: **29/577,125**

Edroman, Abstract Vulcan Buck Dharma Guitars, webarchive on Mar. 5, 2010, [online], [site visited on Aug. 23, 2017]. Available from Internet, URL: <https://web.archive.org/web/20100305220006/http://www.edroman.com/guitars/abstract/vulcanbuckdharma.htm> (Year: 2010).*

(22) Filed: **Sep. 9, 2016**

(51) **LOC (11) Cl.** **17-03**

(52) **U.S. Cl.**

USPC **D17/14**

(58) **Field of Classification Search**

USPC D17/14-21, 99; D21/324

CPC G10D 1/00; G10D 1/08; G10D 1/085;

G10D 3/00; G10D 3/06; G10D 3/12;

G10D 3/02; G10H 3/00; G10H 3/18;

G10H 3/181

See application file for complete search history.

* cited by examiner

Primary Examiner — Sheryl Lane

Assistant Examiner — Samantha N Wood

(74) *Attorney, Agent, or Firm* — CIONCA IP Law P.C.;
Marin Cionca

(56) **References Cited**

(57) **CLAIM**

The ornamental design for a guitar, as shown and described.

U.S. PATENT DOCUMENTS

DESCRIPTION

D320,220 S * 9/1991 Tornese D17/19
D427,244 S * 6/2000 Muraki D17/14
D477,012 S * 7/2003 Rico D17/14
D501,018 S * 1/2005 Harrington D17/20
D526,000 S * 8/2006 Stewart D17/14
D610,605 S * 2/2010 Shannon D17/14
D681,104 S * 4/2013 Yi D17/20
D688,297 S * 8/2013 Graham D17/14
2015/0082964 A1 * 3/2015 Kear G10D 3/06
84/267

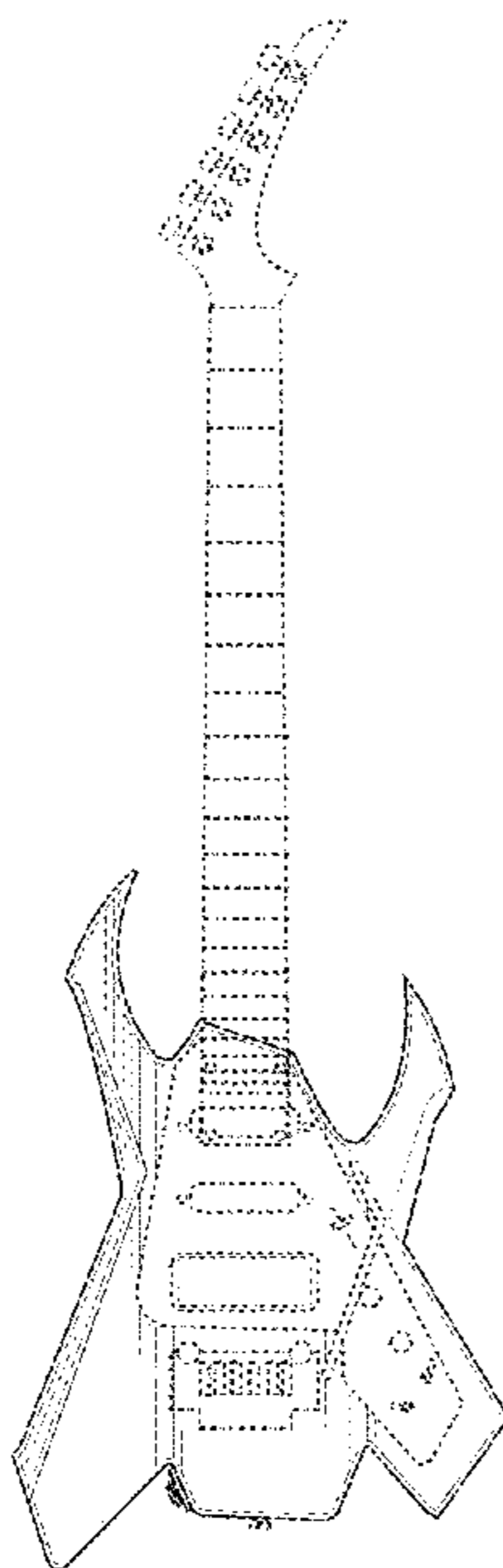
FIG. 1 is a front elevational view of a guitar showing the new design;

FIG. 2 is a back elevational view thereof; and,

FIG. 3 is a partial bottom left side perspective view thereof.

The broken lines shown in the drawings are included for the purpose of illustrating environmental structure and form no part of the claimed design.

1 Claim, 2 Drawing Sheets



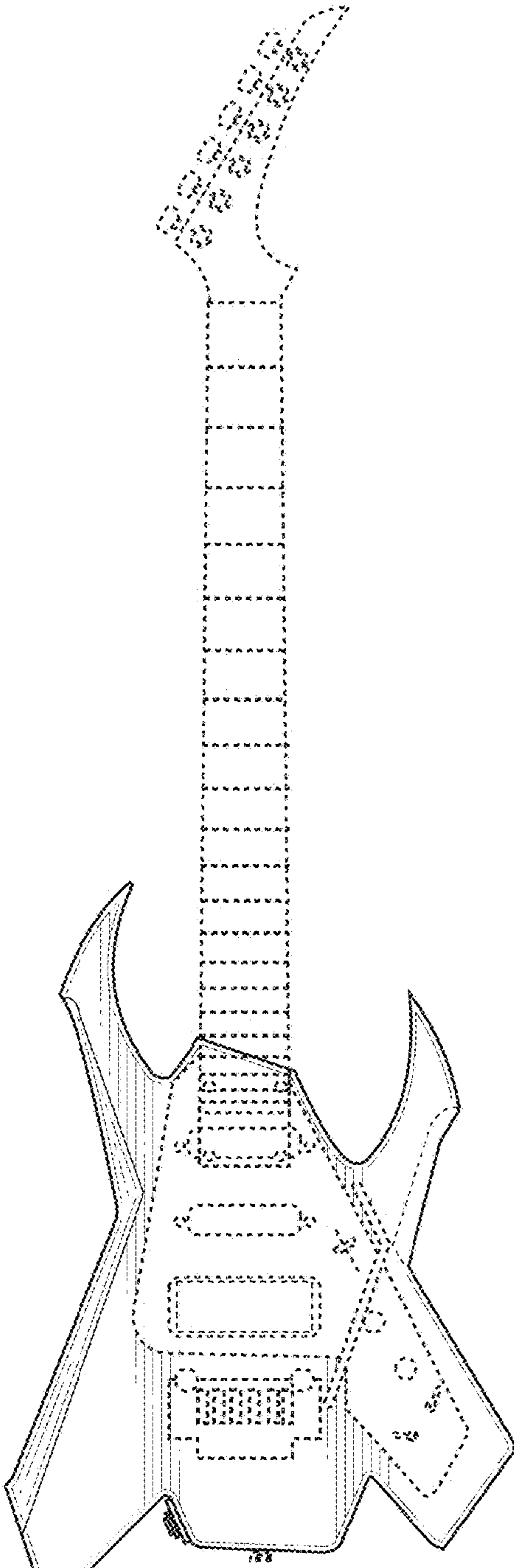


FIG. 1

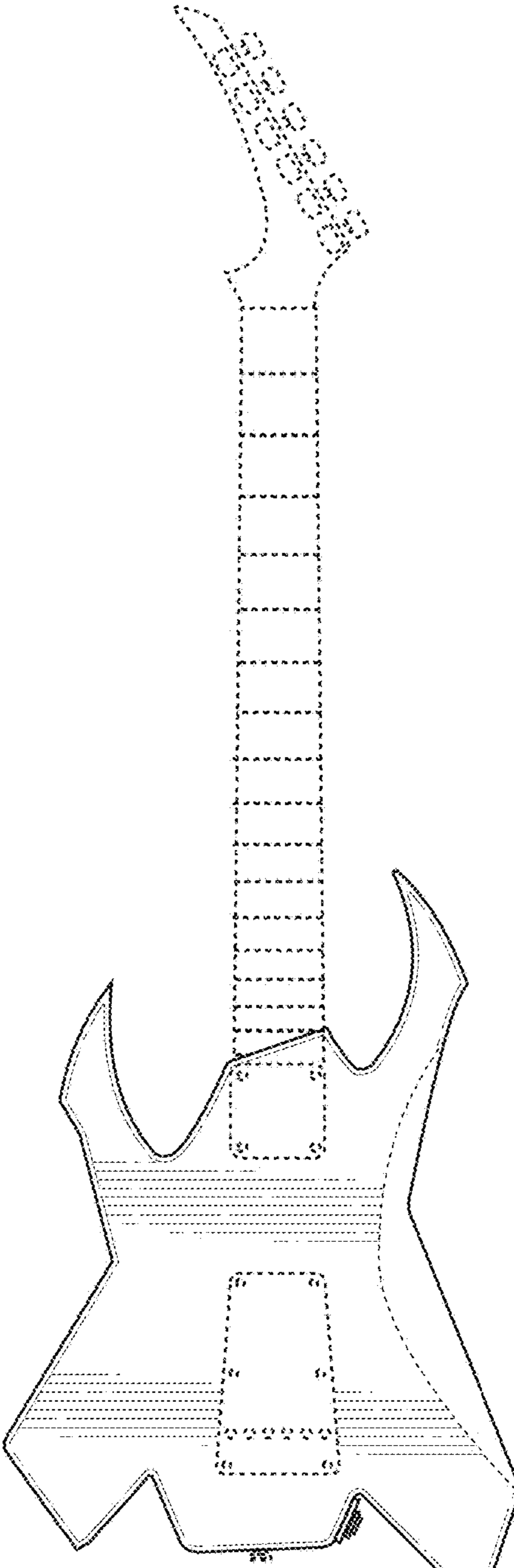


FIG. 2

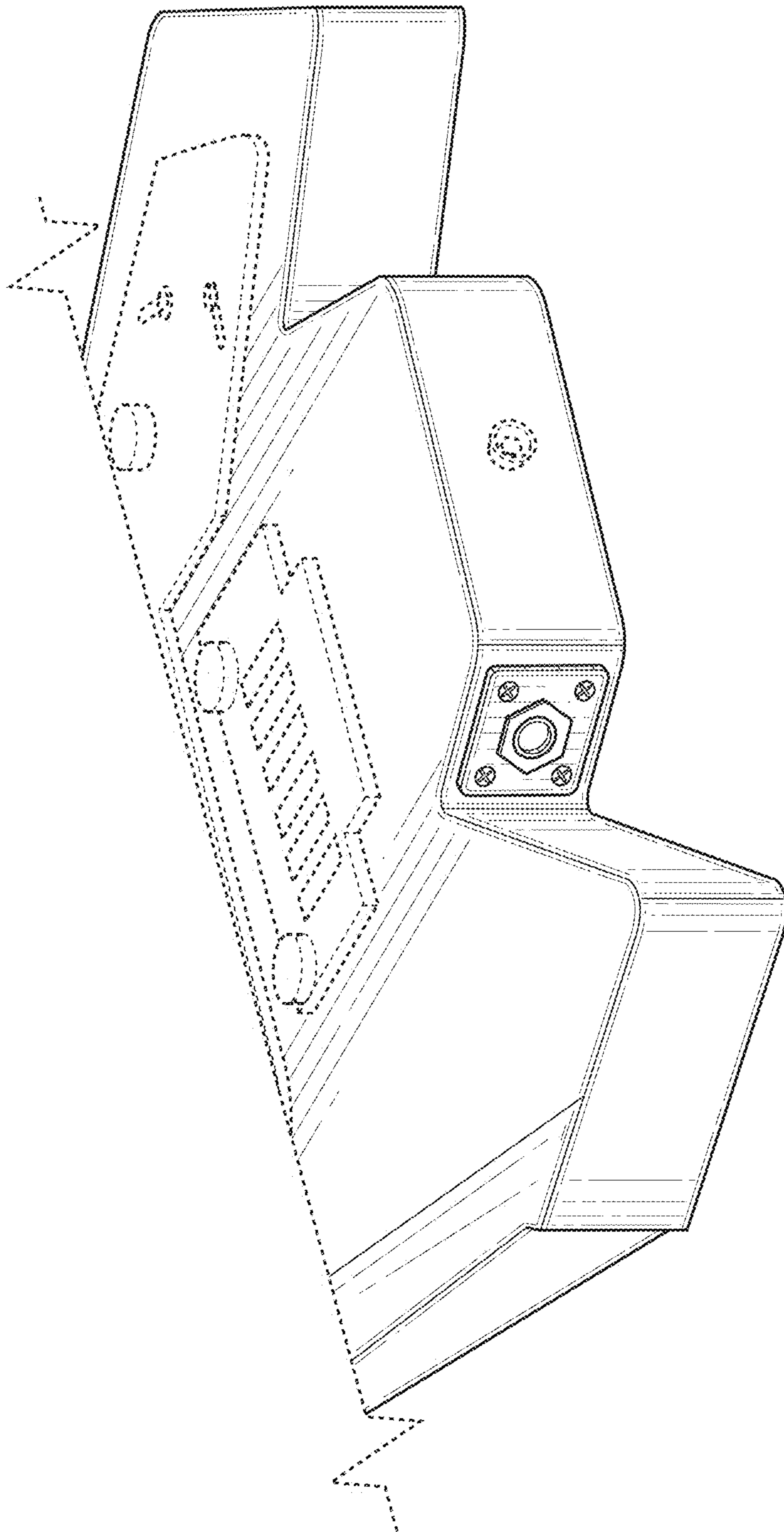


FIG. 3