



US00D817381S

(12) **United States Design Patent**
Zhong et al.

(10) **Patent No.: US D817,381 S**
(45) **Date of Patent: ** May 8, 2018**

(54) **LED PROJECTOR**
(71) Applicant: **CHENGDU XGIMI TECHNOLOGY CO., LTD**, Chengdu (CN)
(72) Inventors: **Chao Zhong**, Chengdu (CN); **Bo Zhong**, Chengdu (CN); **Shi Xiao**, Chengdu (CN); **Zhiming Liu**, Chengdu (CN); **Yao Tang**, Chengdu (CN)

(**) Term: **15 Years**

(21) Appl. No.: **29/559,597**

(22) Filed: **Mar. 30, 2016**

(30) **Foreign Application Priority Data**

Sep. 30, 2015 (CN) 2015 3 0385122

(51) **LOC (11) Cl.** **16-02**

(52) **U.S. Cl.**
USPC **D16/230; D16/225**

(58) **Field of Classification Search**
USPC D16/221, 225, 230-231, 234; D21/514; D14/496, 474, 168, 188
CPC G03B 21/145; G03B 21/00; G03B 21/001; G03B 21/003; G03B 21/14; G03B 21/12
See application file for complete search history.

(56) **References Cited**

U.S. PATENT DOCUMENTS

D522,561 S * 6/2006 Ikeuchi D16/225
7,216,989 B2 * 5/2007 Sakurai G03B 21/145
353/119
7,354,161 B2 * 4/2008 Kuroda G03B 21/145
348/E5.143
D575,812 S * 8/2008 Senda D16/225

8,303,121 B2 * 11/2012 Nagaharu G03B 21/14
353/119
D719,206 S * 12/2014 Washek D16/225
D734,381 S * 7/2015 Georges D16/230
D768,227 S * 10/2016 Lee D16/230
D776,744 S * 1/2017 Park D16/230

* cited by examiner

Primary Examiner — Wan Laymon
(74) *Attorney, Agent, or Firm* — Billion & Armitage;
Benjamin C. Armitage

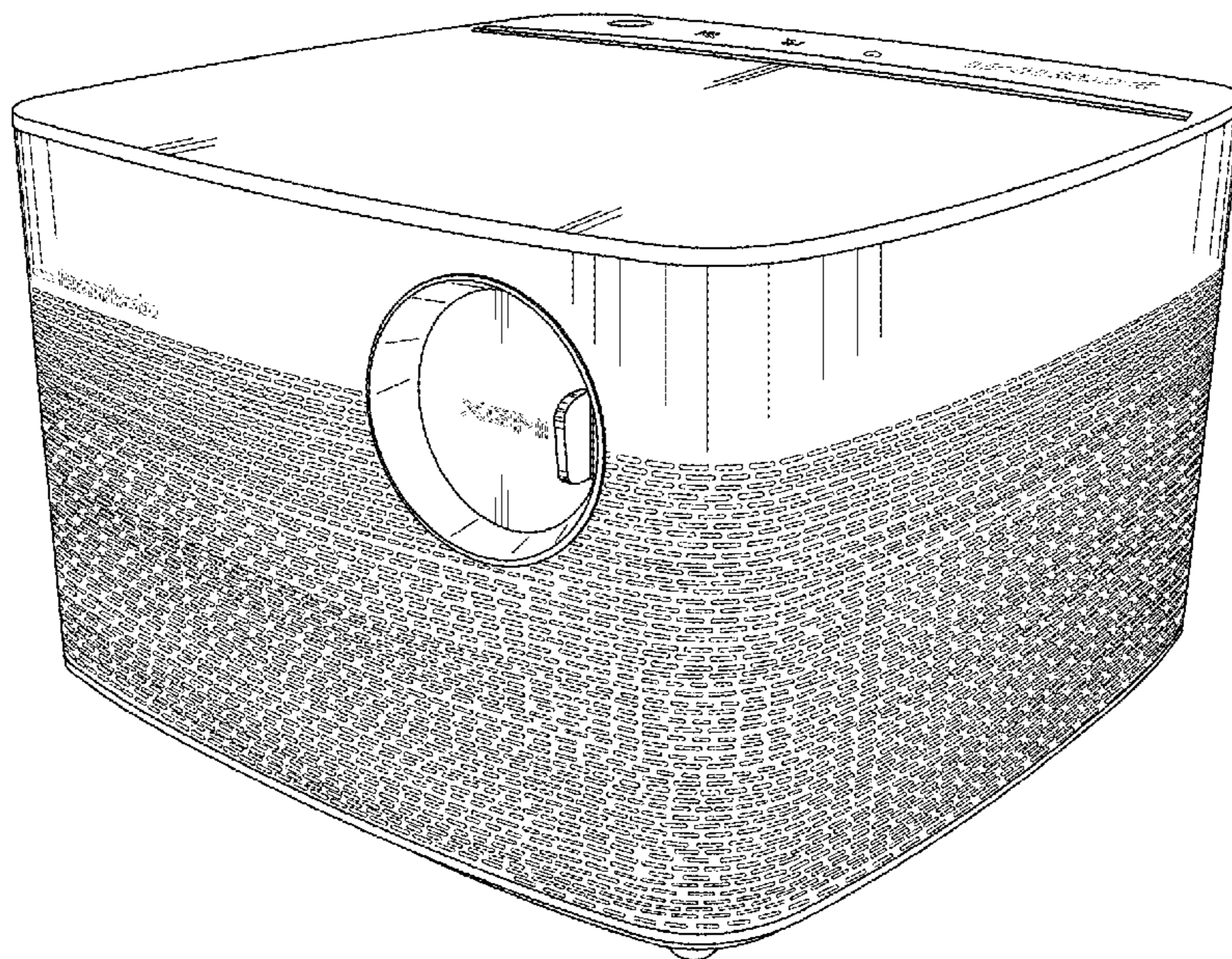
(57) **CLAIM**

The ornamental design for a LED projector, as shown and described.

DESCRIPTION

FIG. 1 is a perspective view of a LED projector showing our design;
FIG. 2 is a front view thereof; the portions shown in broken lines forming no part of the claimed design;
FIG. 3 is a rear view thereof; the portions shown in broken lines forming no part of the claimed design;
FIG. 4 is a left side view thereof; the portions shown in broken lines forming no part of the claimed design;
FIG. 5 is a right side view thereof; the portions shown in broken lines forming no part of the claimed design;
FIG. 6 is a top view thereof; the portions shown in broken lines forming no part of the claimed design; and,
FIG. 7 is a bottom view thereof; the portions shown in broken lines forming no part of the claimed design.
The portions of the LED projector shown in broken lines form no part of the claimed design.

1 Claim, 7 Drawing Sheets



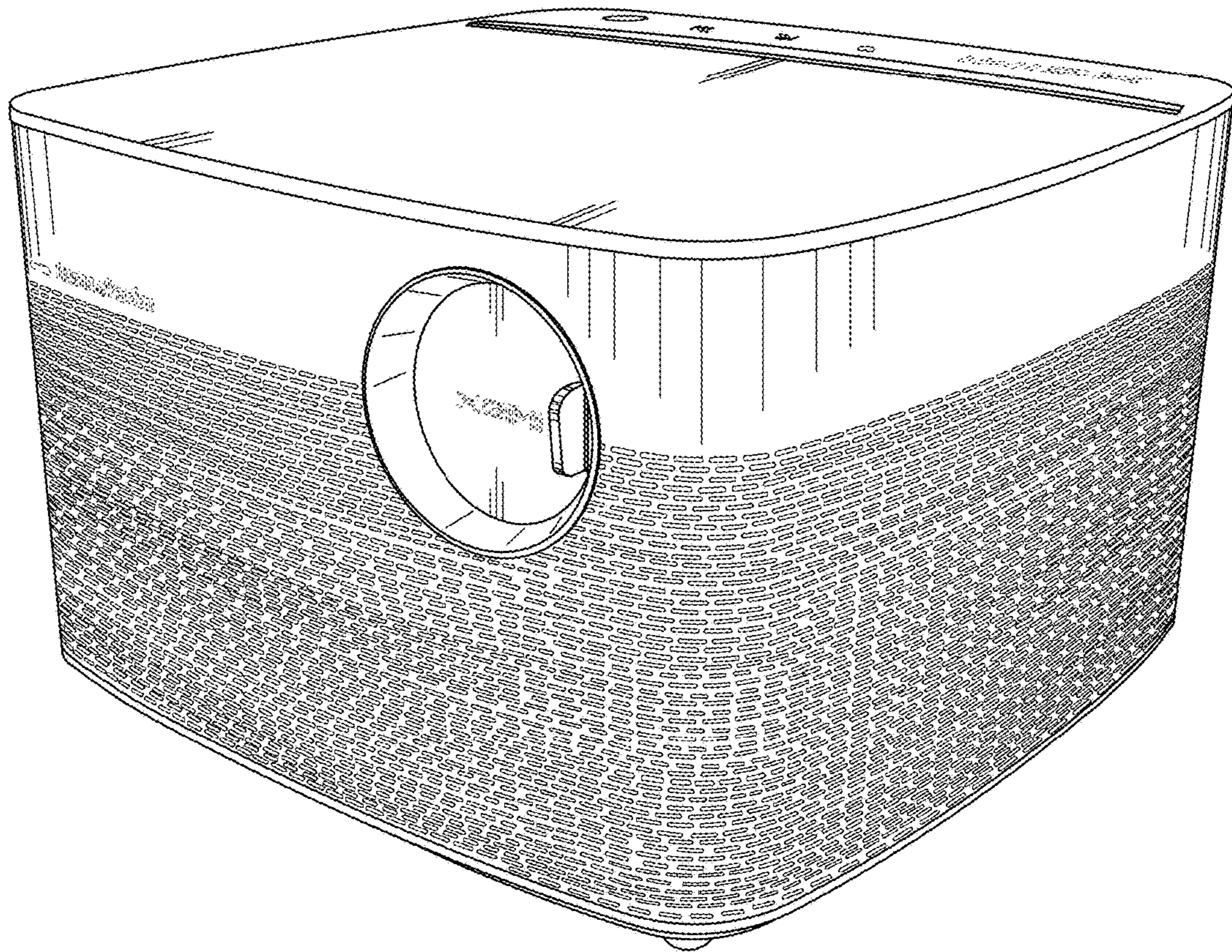


FIG. 1

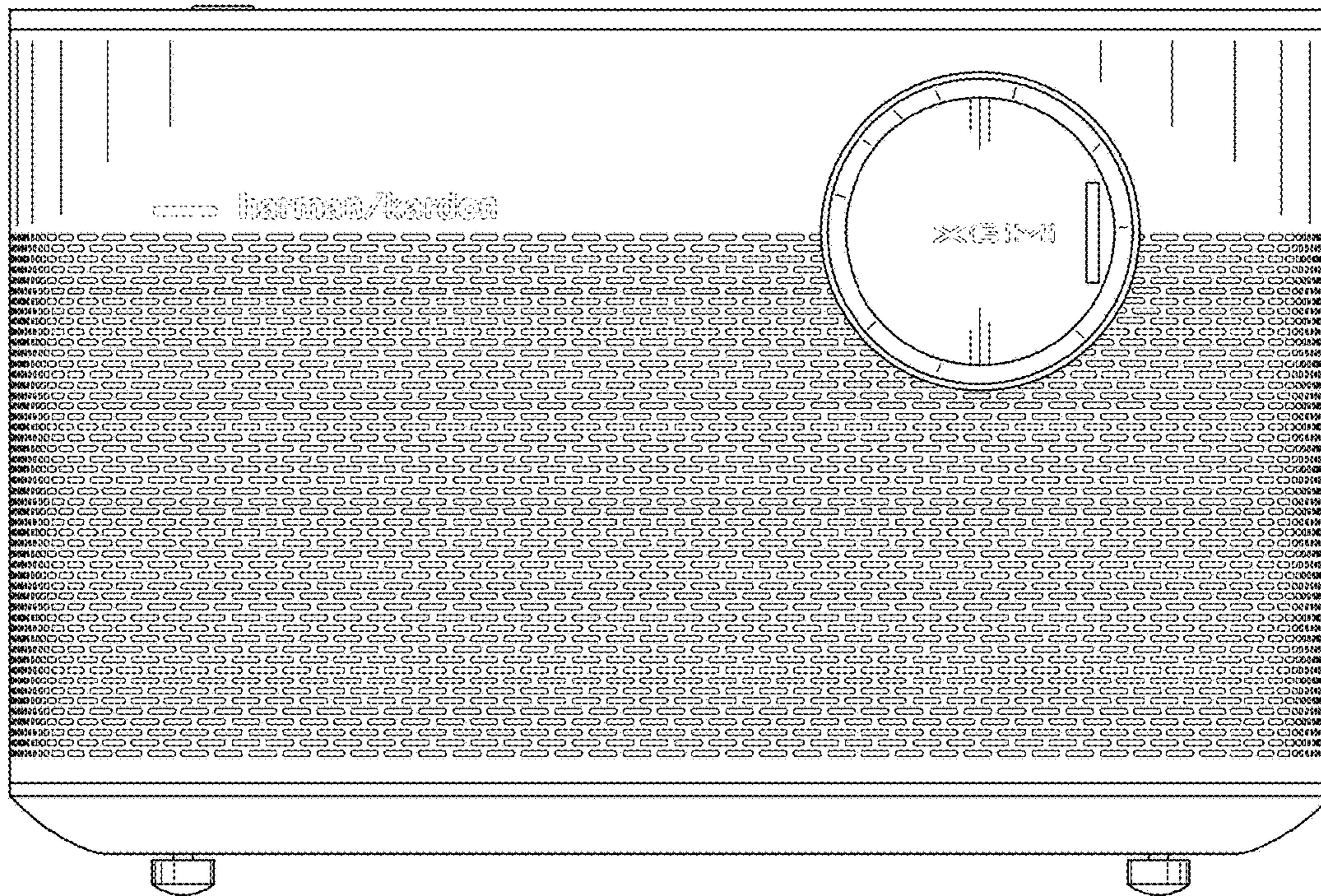


FIG. 2

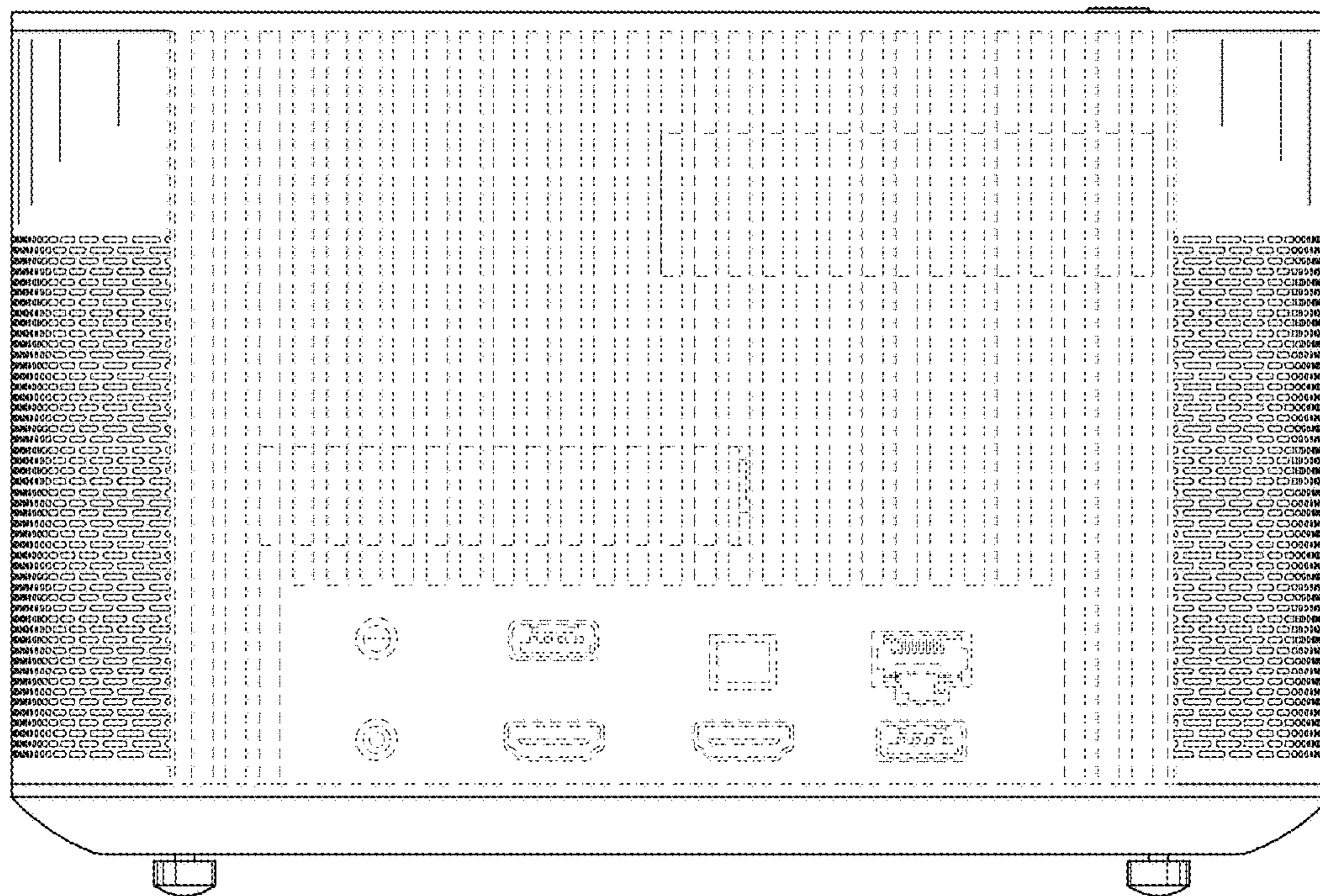


FIG. 3

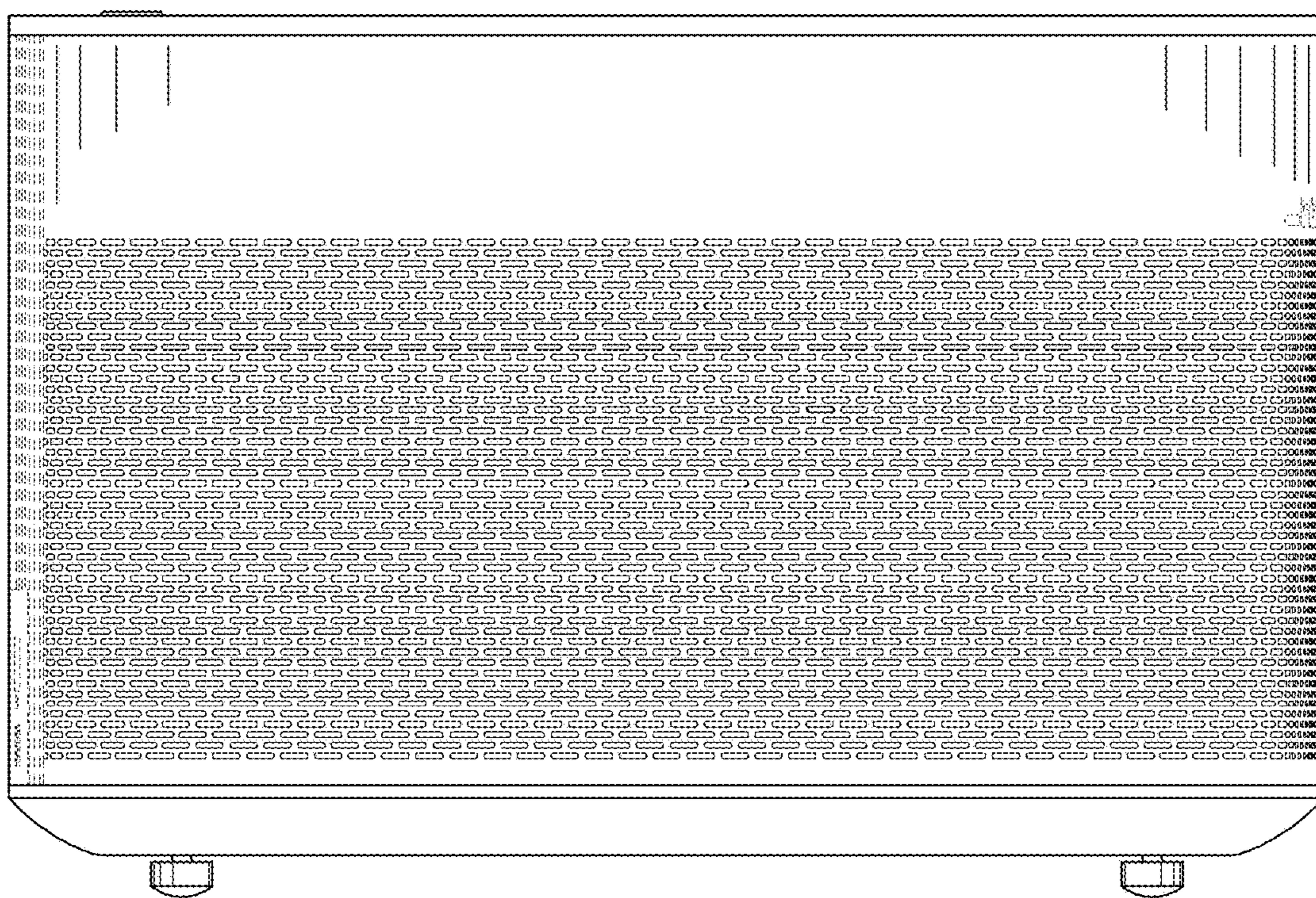


FIG. 4

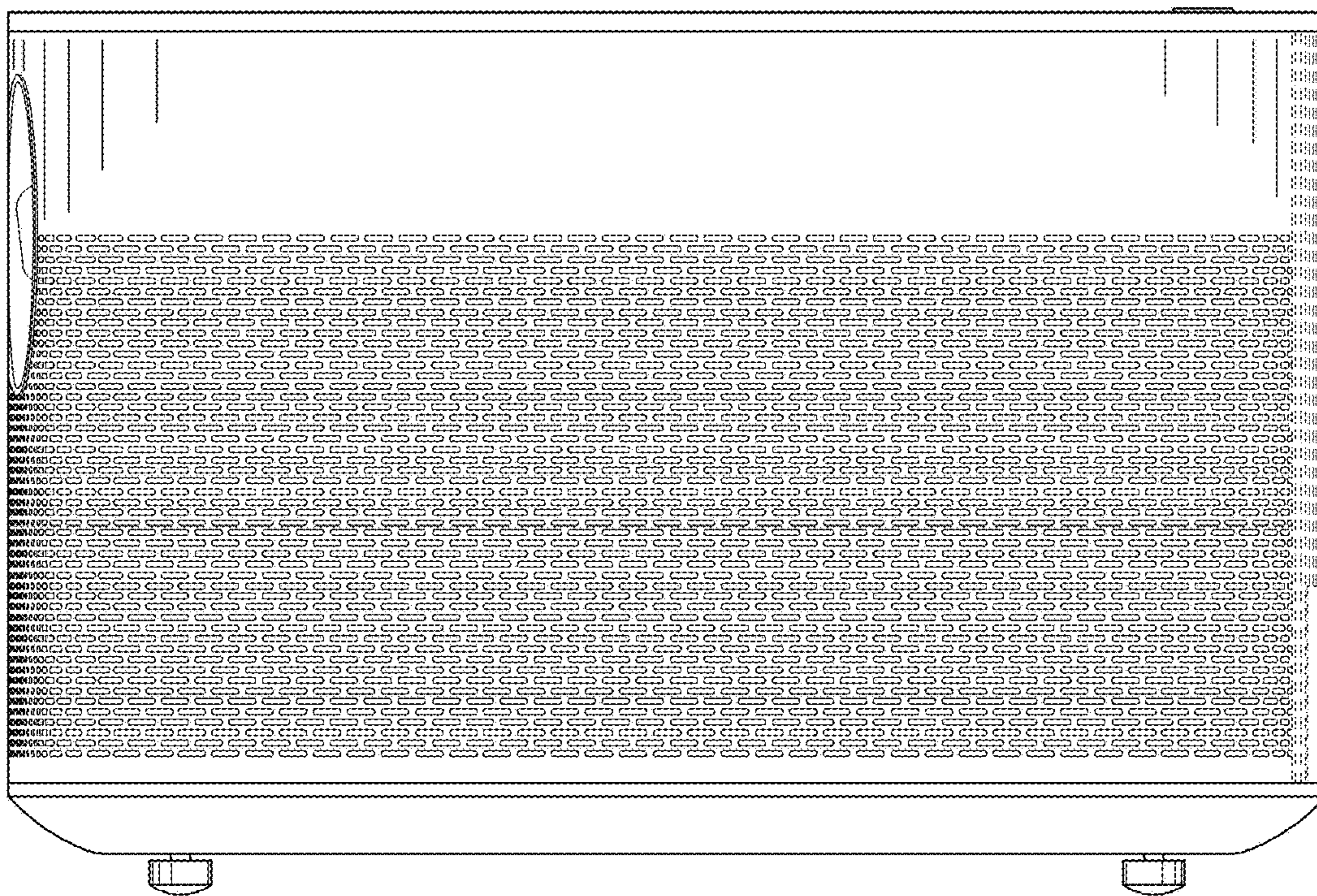


FIG. 5

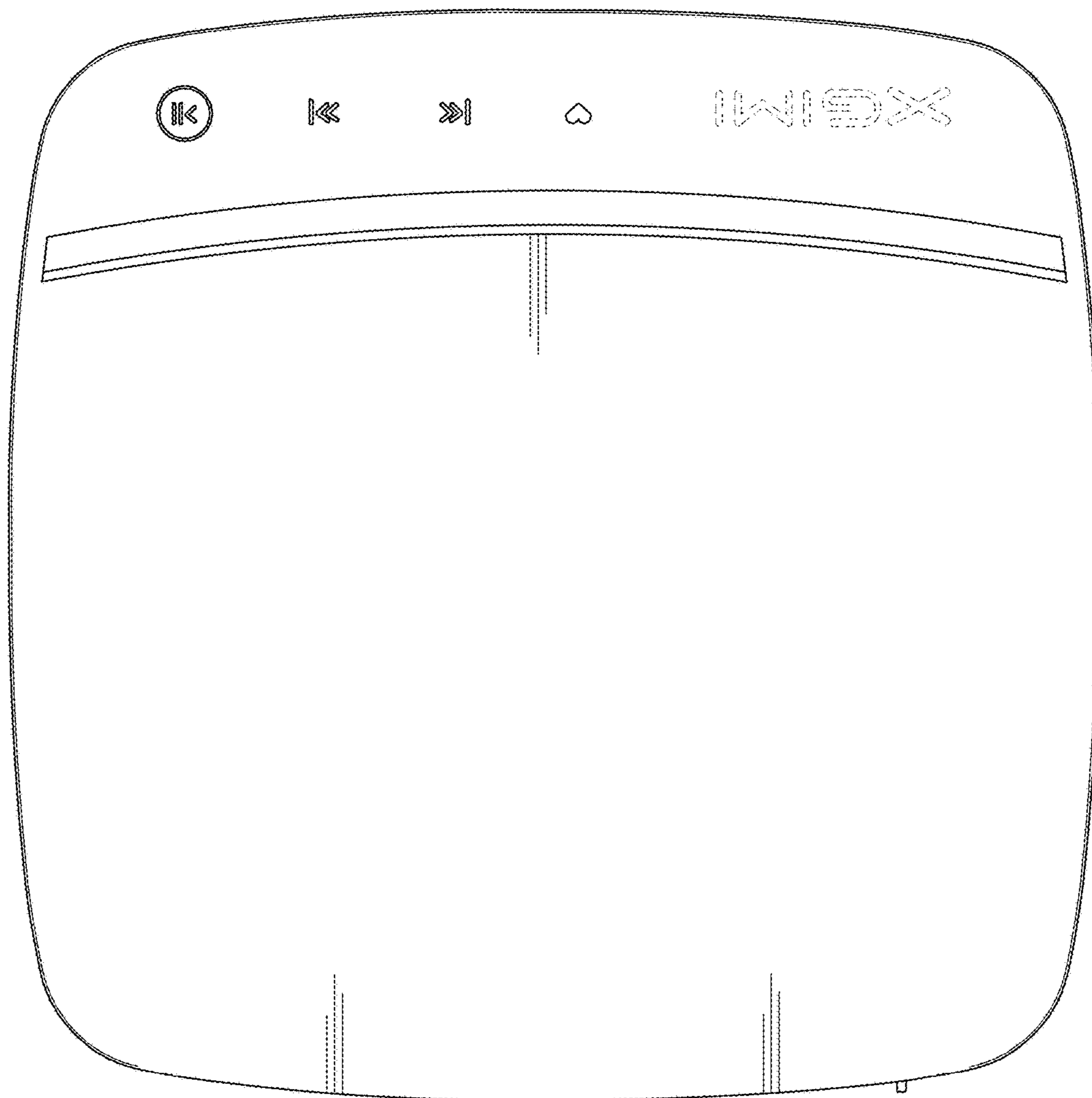


FIG. 6

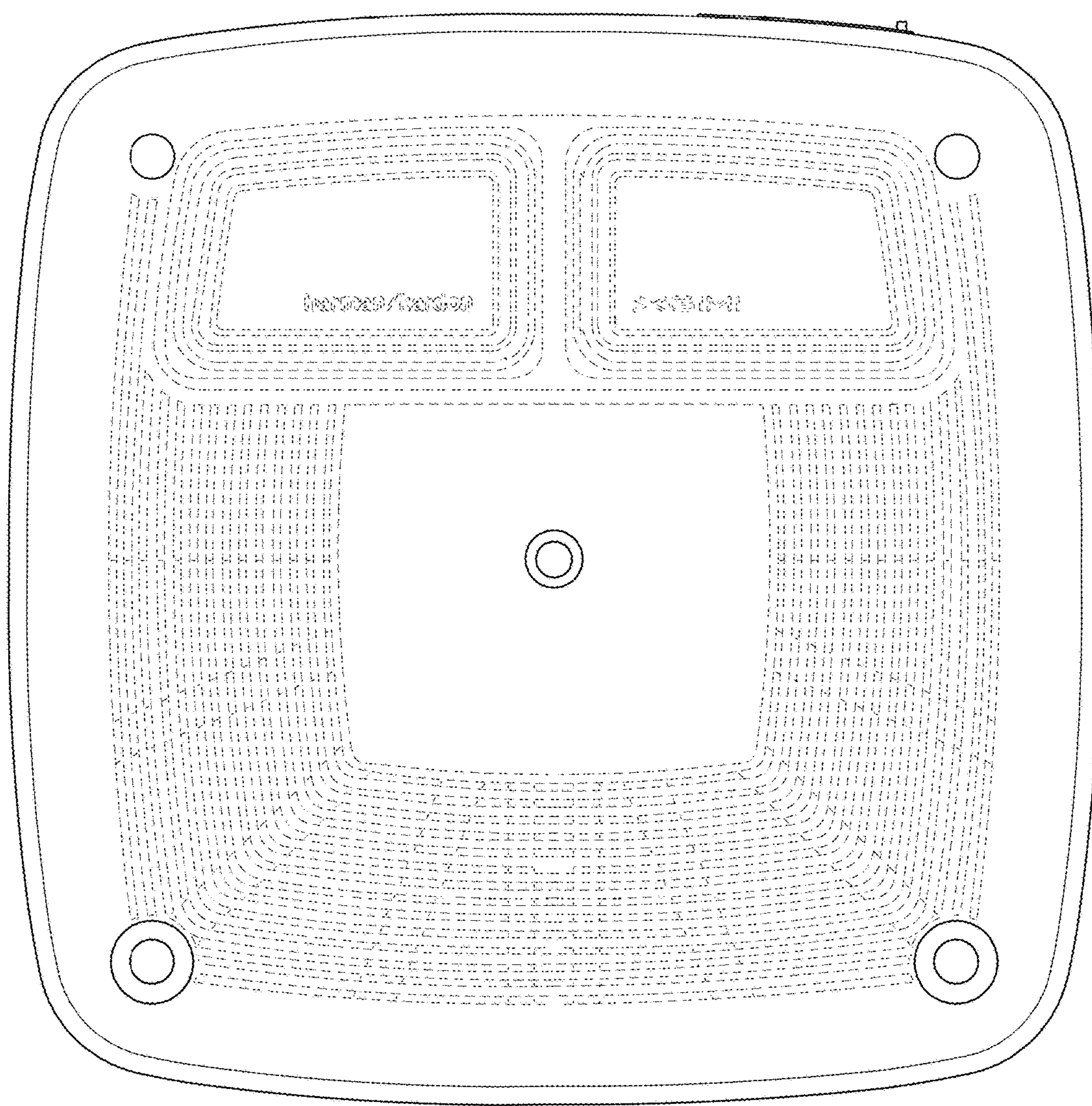


FIG. 7