



US00D817378S

(12) **United States Design Patent** (10) **Patent No.:** **US D817,378 S**
Persson et al. (45) **Date of Patent:** **** May 8, 2018**

(54) **MONITORING CAMERA**

(71) Applicant: **AXIS AB**, Lund (SE)

(72) Inventors: **Henrik Persson**, Lund (SE); **Fredrik Axelsson**, Loddekopinge (SE); **Andreas Hertzman**, Helsingborg (SE); **Gert Nilsson**, Sjobo (SE); **Daniel Ahman**, Lomma (SE); **Mathias Walter**, Arlov (SE); **Morten Bergstrom**, Bjarred (SE)

(73) Assignee: **AXIS AB**, Lund (SE)

(**) Term: **15 Years**

(21) Appl. No.: **29/603,370**

(22) Filed: **May 9, 2017**

Related U.S. Application Data

(62) Division of application No. 29/564,737, filed on May 16, 2016.

(30) **Foreign Application Priority Data**

Nov. 16, 2015 (EM) 002861161-0001
Nov. 16, 2015 (EM) 002861161-0002
Nov. 16, 2015 (EM) 002861161-0003
Nov. 16, 2015 (EM) 002861161-0004

(51) **LOC (11) Cl.** **16-01**

(52) **U.S. Cl.**
USPC **D16/203**

(58) **Field of Classification Search**

USPC D14/130, 144, 132; D16/200–220, 242, D16/238; D26/24, 36, 72, 79, 123; D10/104.1, 104.2, 106.1, 106.2, 106.5; D9/548, 560, 572, 574, 430, 431; D29/109–110
CPC H04N 7/181; H04N 7/183; H04N 7/18; H04N 3/08; H04N 5/23248; H04N 5/23287; H04N 5/23258; H04N 5/2251; H04N 5/2252; H04N 2007/145; G01C 11/025;

(Continued)

(56) **References Cited**

U.S. PATENT DOCUMENTS

D45,539 S * 3/1914 Meyers D26/90
D79,855 S * 11/1929 Schnell D26/36

(Continued)

FOREIGN PATENT DOCUMENTS

CN 303933714 * 11/2016
TW D141836 8/2011

OTHER PUBLICATIONS

AXIS P3707, no date available, [site visited: Mar. 29, 2017], Available from Internet, UR:<<http://www.simkeway.com/eproducts/765.html>>.

(Continued)

Primary Examiner — Barbara Fox

Assistant Examiner — Mary C Ramirez

(74) *Attorney, Agent, or Firm* — Volpe and Koenig, P.C.

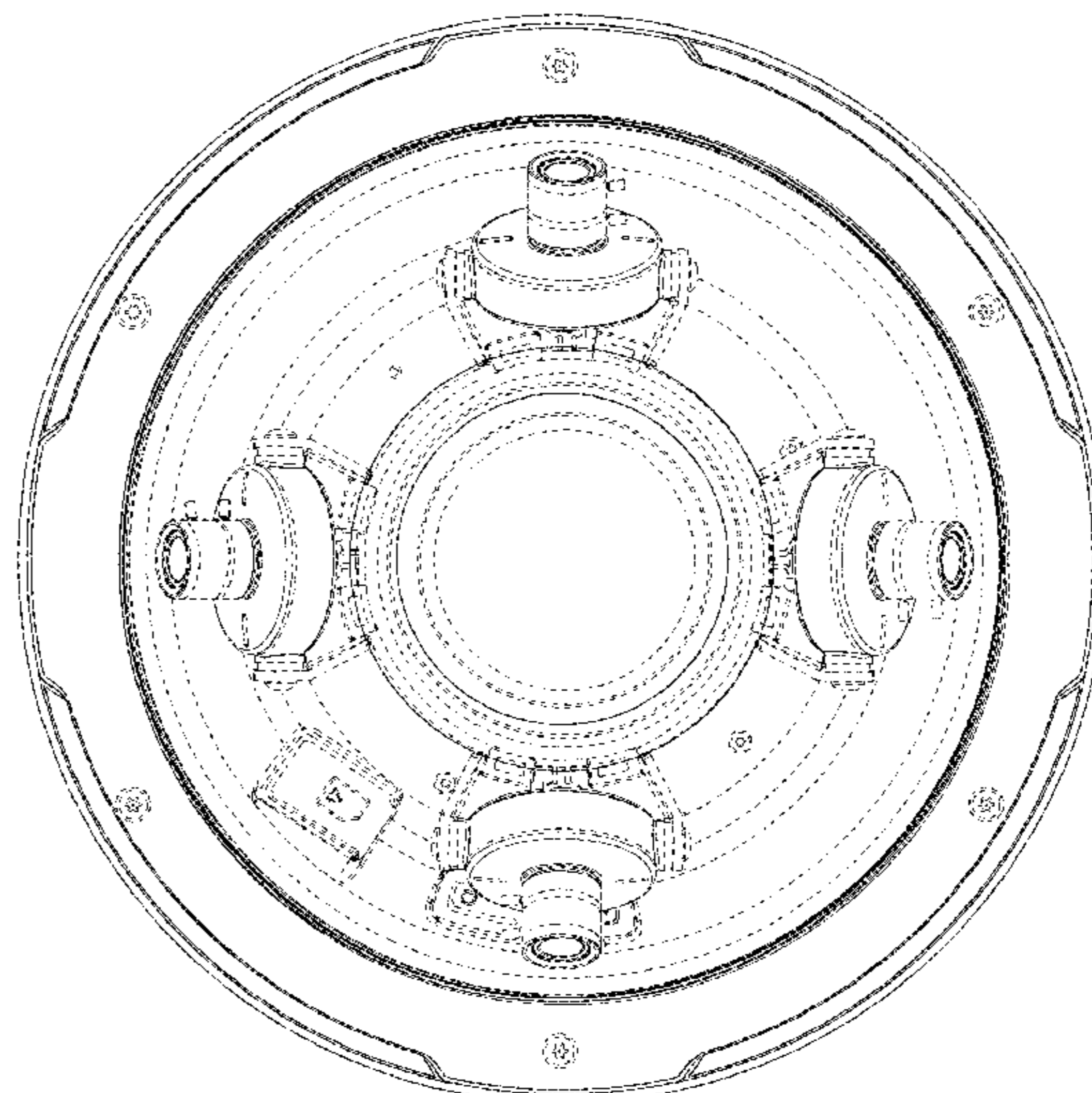
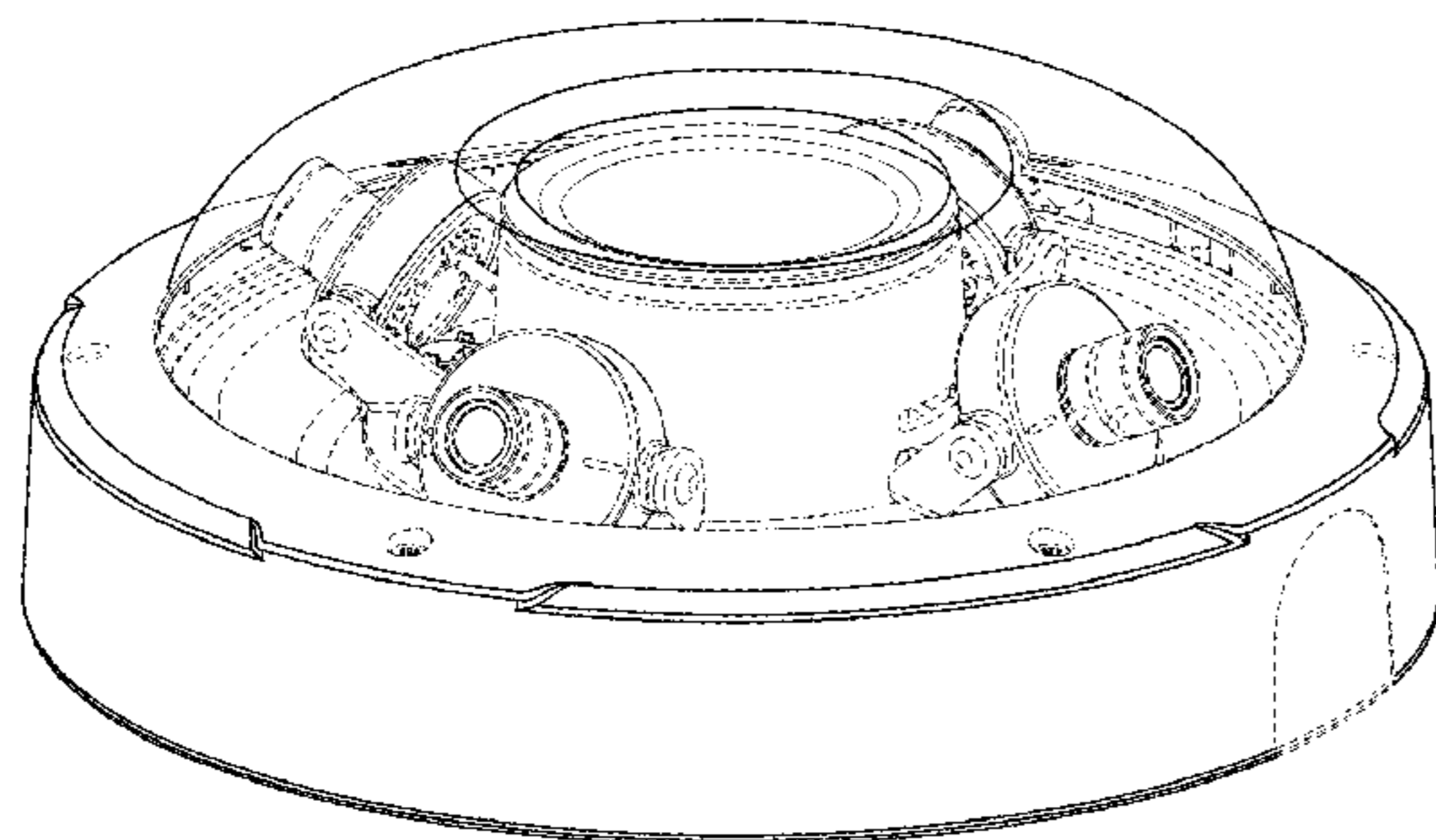
(57) **CLAIM**

The ornamental design for a monitoring camera, as shown and described.

DESCRIPTION

FIG. 1 is a perspective view of a monitoring camera showing our new design;
FIG. 2 is a left side view thereof;
FIG. 3 is a top plan view thereof;
FIG. 4 is a front elevational view thereof;
FIG. 5 is a rear elevational view thereof;
FIG. 6 is a right side view thereof; and,
FIG. 7 is a bottom plan view thereof.
The broken lines in the drawings depict portions of the monitoring camera that form no part of the claimed design.

1 Claim, 4 Drawing Sheets



(58) **Field of Classification Search**

CPC G03B 15/00; G03B 15/03; G03B 17/56;
 G03B 17/02; G03B 17/30; G03B 17/04;
 G03B 17/00; G03B 19/04; G03B 3/00;
 B60R 1/00; B60R 2300/105; G08B
 13/19619; G08B 13/1963; G08B
 13/19632; F16M 11/04; F16M 13/00;
 Y02E 60/12

See application file for complete search history.

(56) **References Cited**

U.S. PATENT DOCUMENTS

| | | | |
|----------------|---------|-----------------|-------------------------|
| D91,665 S | 3/1934 | Kaynor | |
| D115,971 S * | 8/1939 | Stewart | D26/123 |
| D182,672 S | 4/1958 | Korabowski | |
| D389,597 S | 1/1998 | Gismondi | |
| D486,940 S | 2/2004 | Yiu | |
| D512,417 S | 12/2005 | Hirakawa et al. | |
| D530,525 S | 10/2006 | Greene, II | |
| D544,618 S | 6/2007 | Coushaine | |
| D568,830 S | 5/2008 | Park et al. | |
| D583,981 S | 12/2008 | Meyer et al. | |
| 7,534,057 B2 * | 5/2009 | Jones | F16M 11/10 248/178.1 |
| D617,035 S | 6/2010 | Sabernig | |
| D617,039 S | 6/2010 | Sabernig | |
| D619,755 S | 7/2010 | Lai et al. | |
| D628,737 S | 12/2010 | van den Akker | |
| D632,599 S | 2/2011 | Tupinier | |

| | | | |
|-----------------|---------|------------------|------------|
| D633,231 S | 2/2011 | Morrison | |
| D645,191 S | 9/2011 | Krause | |
| D647,227 S * | 10/2011 | Kaule | D26/24 |
| D654,617 S | 2/2012 | Marquardt et al. | |
| D666,353 S | 8/2012 | Lin et al. | |
| D694,463 S | 11/2013 | Sieczkowski | |
| D712,963 S | 9/2014 | Fleet | |
| D725,088 S | 3/2015 | Kwak et al. | |
| D743,382 S | 11/2015 | Katori | |
| D758,470 S | 6/2016 | Kircher et al. | |
| 9,438,782 B2 * | 9/2016 | Donaldson | G03B 17/02 |
| D771,600 S | 11/2016 | Hinokio et al. | |
| D775,319 S * | 12/2016 | Park | D23/385 |
| D777,367 S | 1/2017 | Ma | |
| D789,373 S * | 6/2017 | King | D14/413 |
| D793,464 S * | 8/2017 | Donaldson | D16/203 |
| D798,934 S | 10/2017 | Wu | |
| D801,407 S | 10/2017 | Kullgren et al. | |
| 2005/0263785 A1 | 12/2005 | Kim et al. | |
| 2015/0358538 A1 | 12/2015 | Donaldson | |

OTHER PUBLICATIONS

Fixed Dome Cameras, no date available, [site visited: Mar. 29, 2017], Available from Internet URL:<<https://www.axis.com/be/nl/products/fixed-dome-cameras>>.
 Arecont Vision®, Surround Video® Omni IP Cameras, All0in-One Omni-Directional User-Configurable Indoor/Outdoor Multi-Sensor Cameras 12-20 Megapixels, H.264/MJPEG, WDR, Day/Night (2015).

* cited by examiner

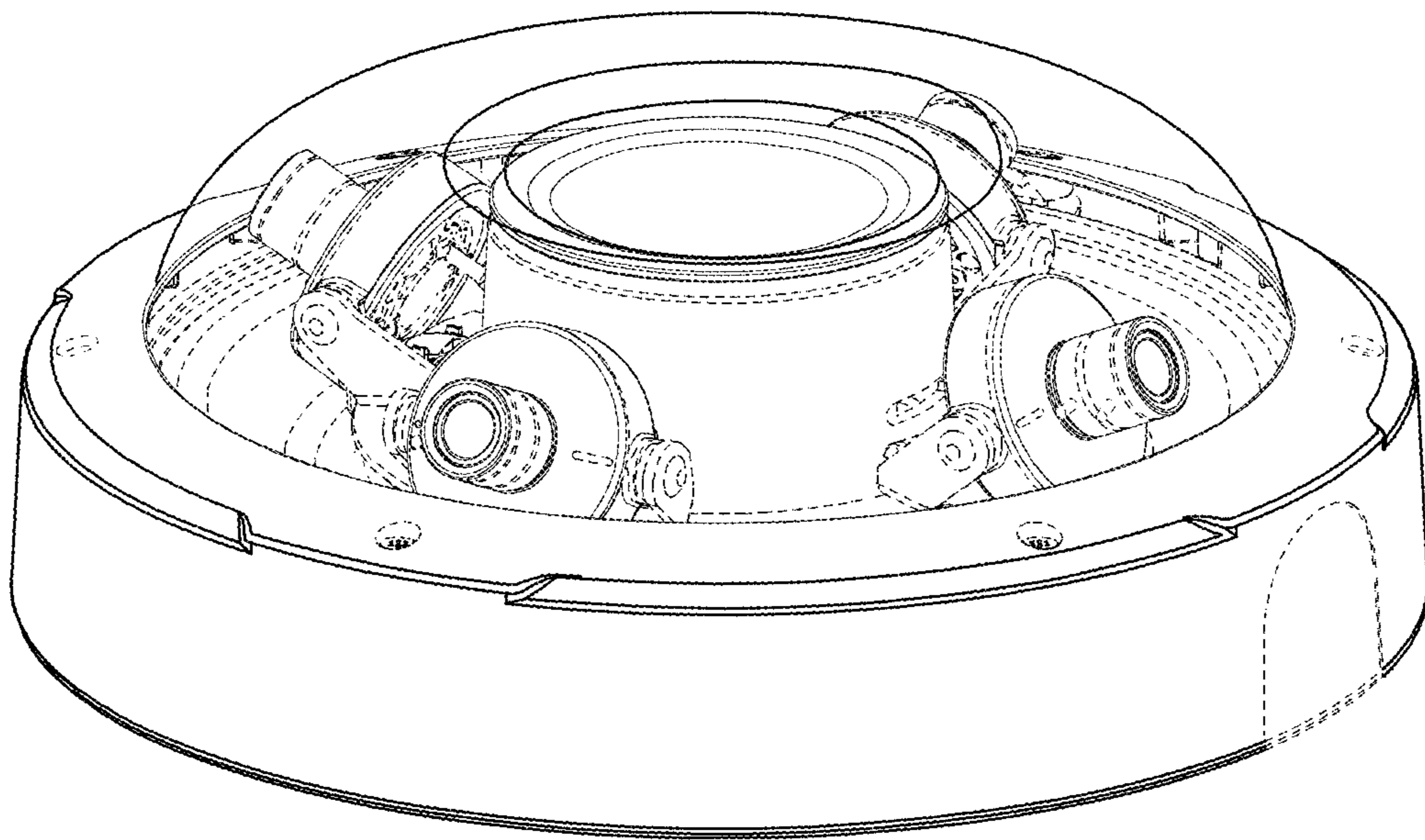


FIG. 1

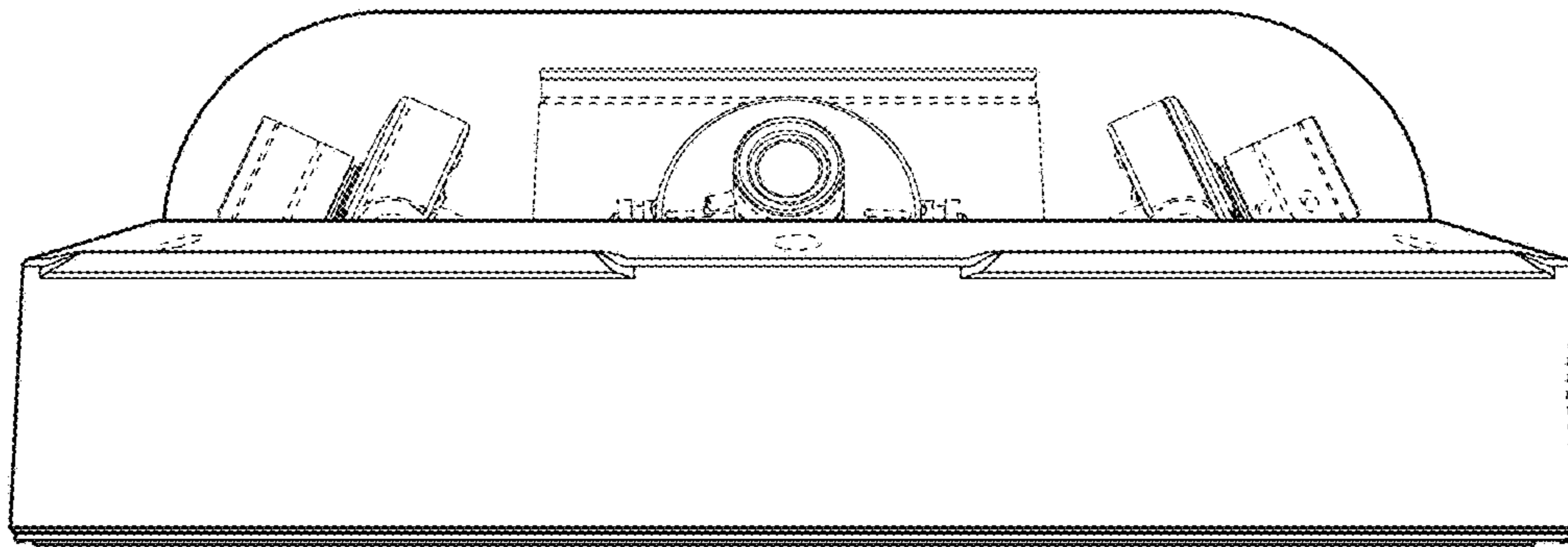


FIG. 2

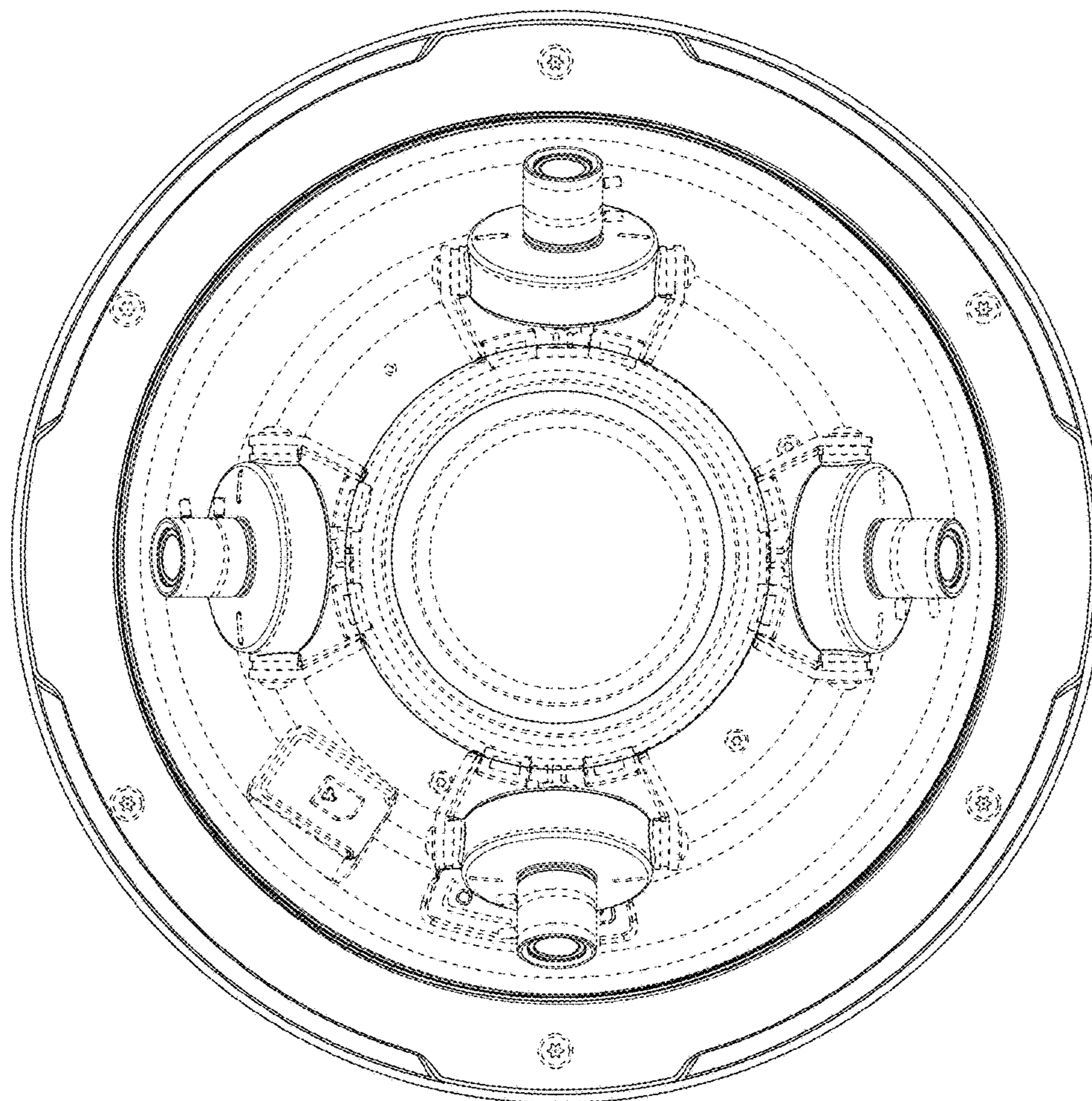


FIG. 3

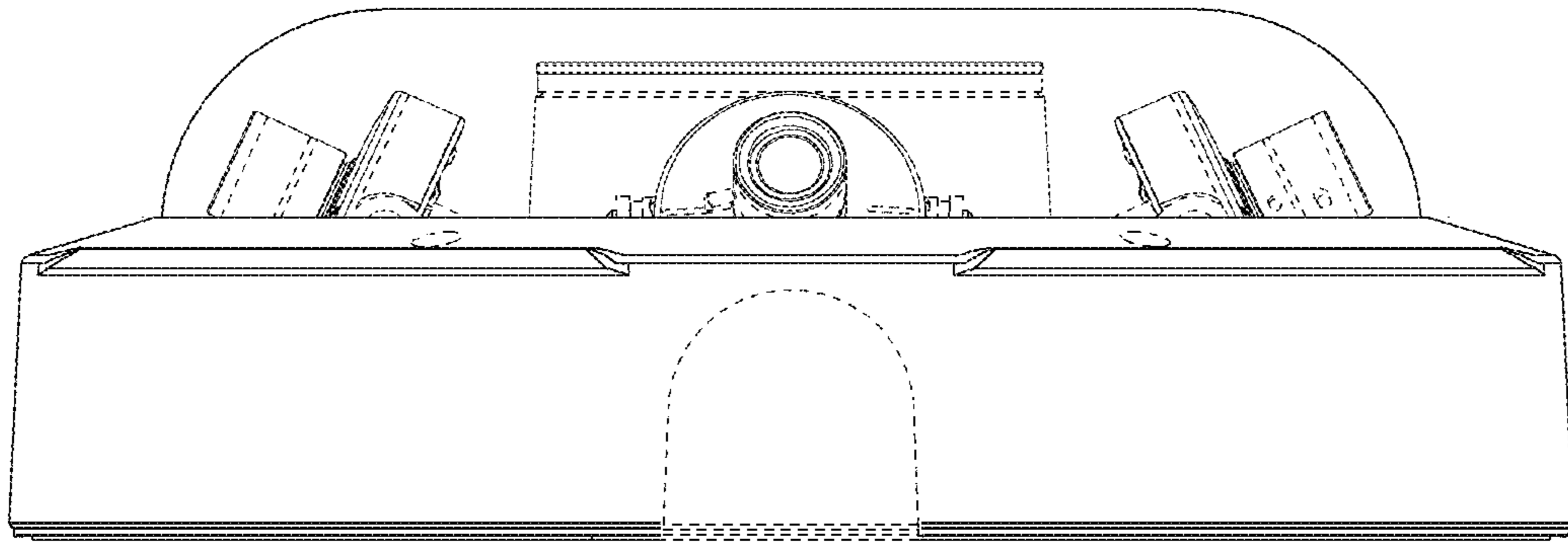


FIG. 4

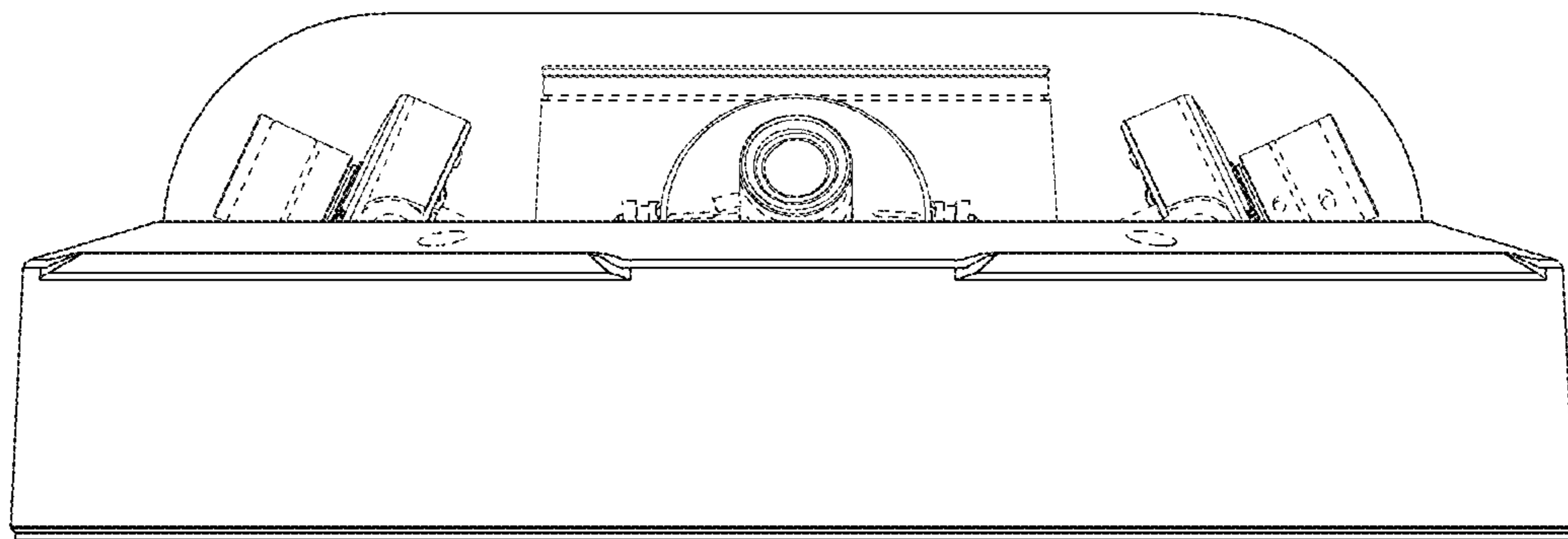


FIG. 5

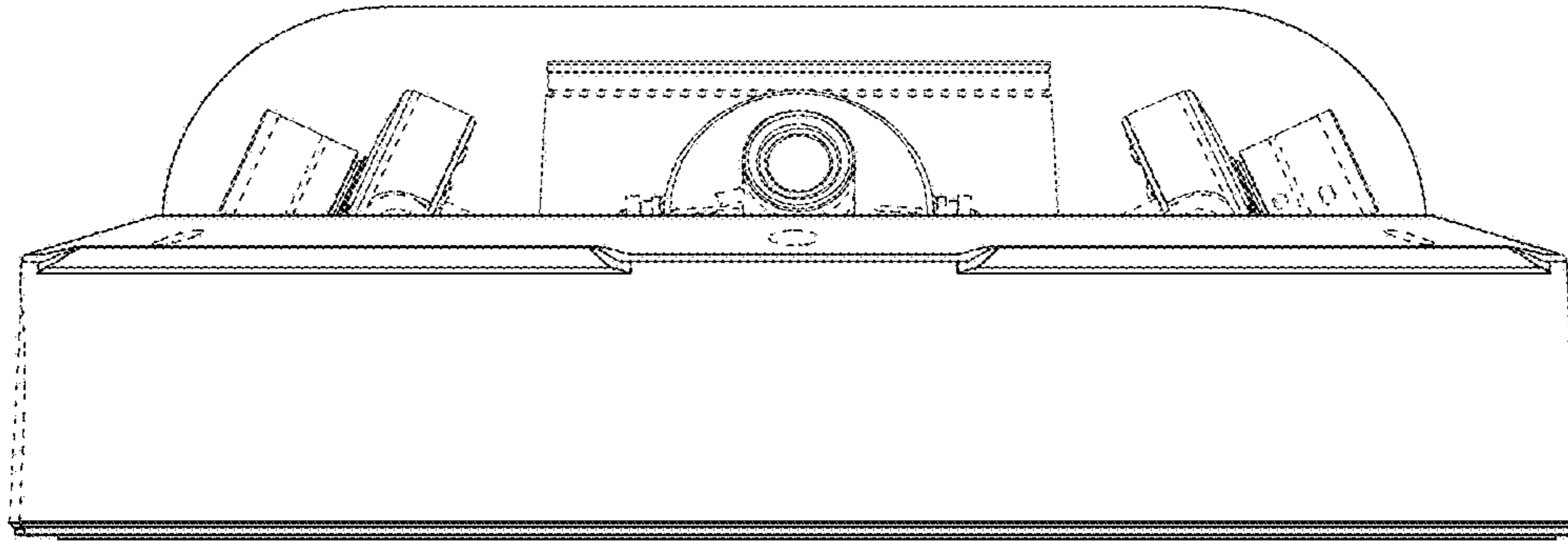


FIG. 6

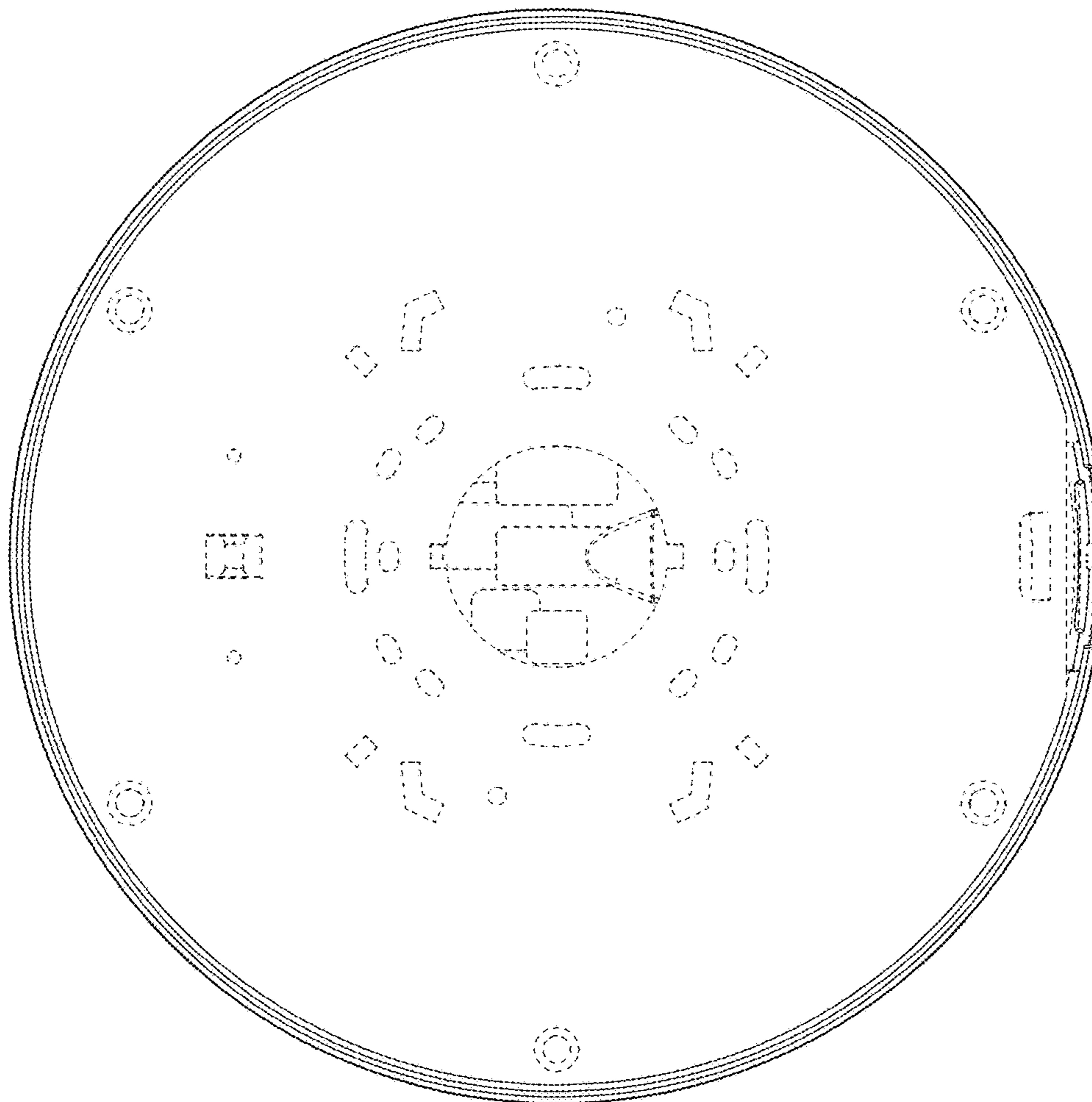


FIG. 7