



US00D817377S

(12) **United States Design Patent**
Nichol et al.

(10) **Patent No.:** **US D817,377 S**

(45) **Date of Patent:** **** May 8, 2018**

(54) **HOUSING FOR A CAMERA**

(71) Applicant: **OVERVIEW LIMITED**, London (GB)

(72) Inventors: **Philip Nichol**, London (GB); **Eleanor Loughton**, London (GB); **Tamas Hernadi**, London (GB)

(73) Assignee: **OVERVIEW LIMITED**, London (GB)

(**) Term: **15 Years**

(21) Appl. No.: **29/585,539**

(22) Filed: **Nov. 25, 2016**

(51) **LOC (11) Cl.** **16-01**

(52) **U.S. Cl.**
USPC **D16/200**

(58) **Field of Classification Search**
USPC D16/200, 202–206, 208, 218, 219, 242;
348/164, 373–376; 396/529–532, 535,
396/539–541

CPC G03B 17/02; G03B 19/04; G03B 17/56;
G03B 17/04; G03B 15/03; G03B 17/14;
H04N 5/2251; H04N 5/2252; H04N
5/2253; H04N 5/2254; G02B 7/02; G02B
7/04; G02B 7/14

See application file for complete search history.

(56) **References Cited**

U.S. PATENT DOCUMENTS

D426,248 S * 6/2000 Sumita D16/202
D469,792 S * 2/2003 Kawashima D16/134
D554,170 S 10/2007 Grotto
D579,038 S * 10/2008 Mutz D16/202
D598,941 S * 8/2009 Tanifuji D16/202

D612,881 S * 3/2010 Narita D16/202
D622,300 S * 8/2010 Endo D16/202
D628,225 S 11/2010 Deurwaarder
8,023,033 B2 * 9/2011 Kirihara G03B 13/02
348/333.01
D657,409 S * 4/2012 Miyashita D16/203
D662,120 S 6/2012 Deurwaarder
D666,233 S 8/2012 Carver et al.
D697,961 S * 1/2014 Tanifuji D16/202

* cited by examiner

Primary Examiner — Philip S Hyder

Assistant Examiner — Ramzi Almatrahi

(74) *Attorney, Agent, or Firm* — Andrew W. Chu; Craft
Chu PLLC

(57) **CLAIM**

The ornamental design for a housing for a camera, as shown
and described.

DESCRIPTION

FIG. 1 is a front elevation view of a housing for a camera
showing our design;

FIG. 2 is a bottom plan view thereof;

FIG. 3 is a right side elevation view thereof;

FIG. 4 is a left side perspective view thereof;

FIG. 5 is a back elevation view thereof;

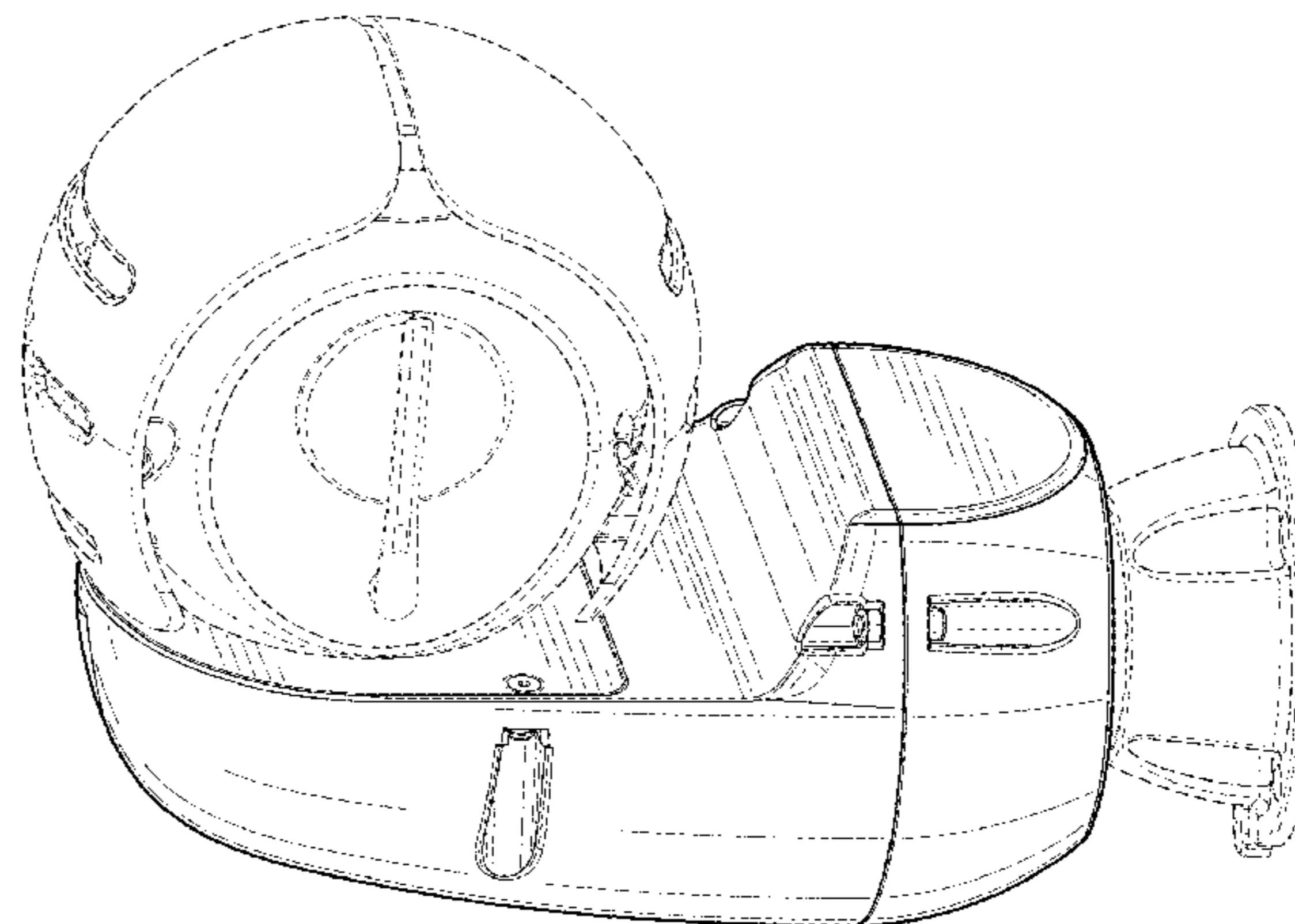
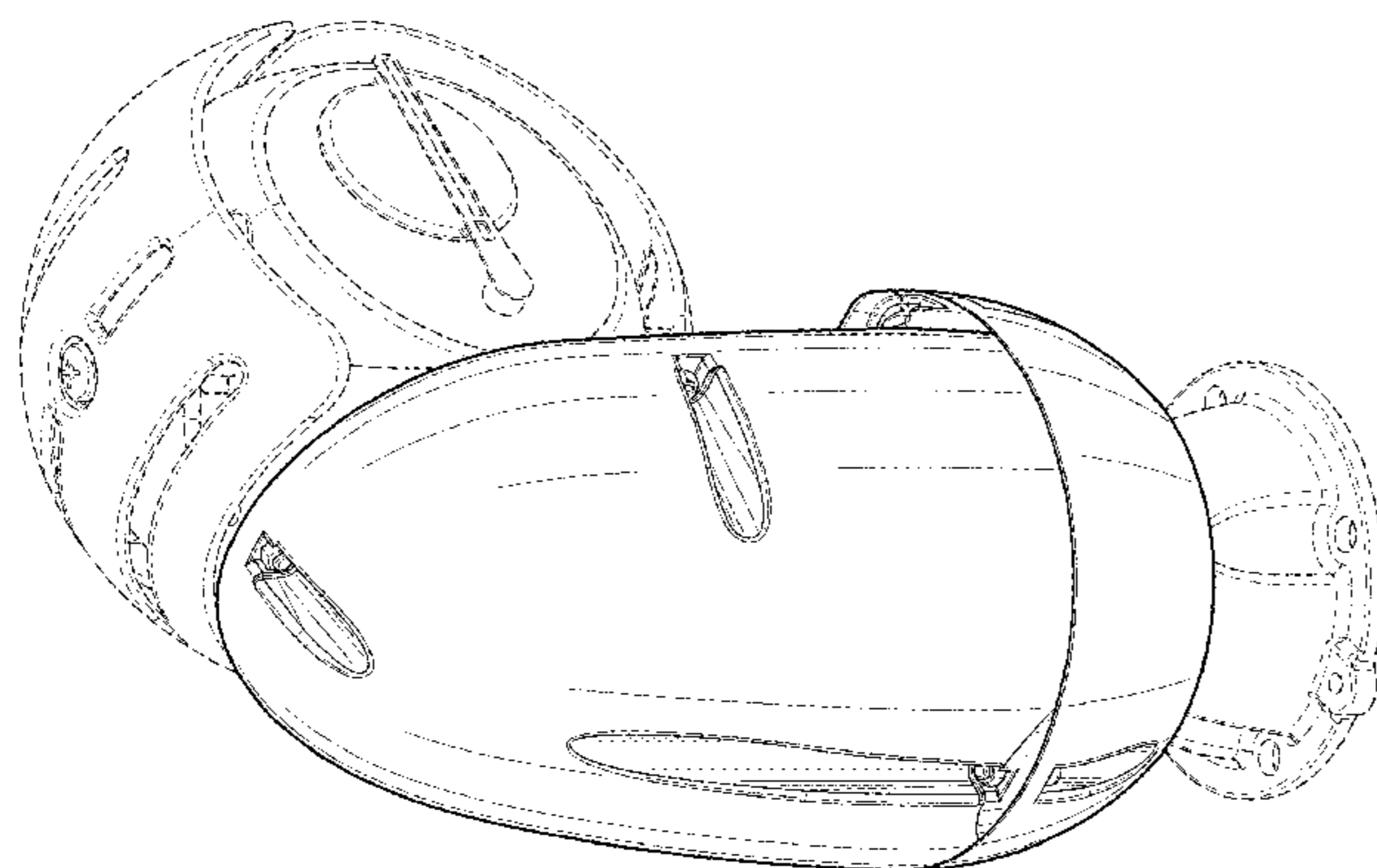
FIG. 6 is a right side perspective view thereof;

FIG. 7 is a top plan view thereof; and,

FIG. 8 is a left side elevation view thereof.

The broken lines depict portions of the housing for a camera
in which the design is embodied that form no part of the
claimed design.

1 Claim, 4 Drawing Sheets



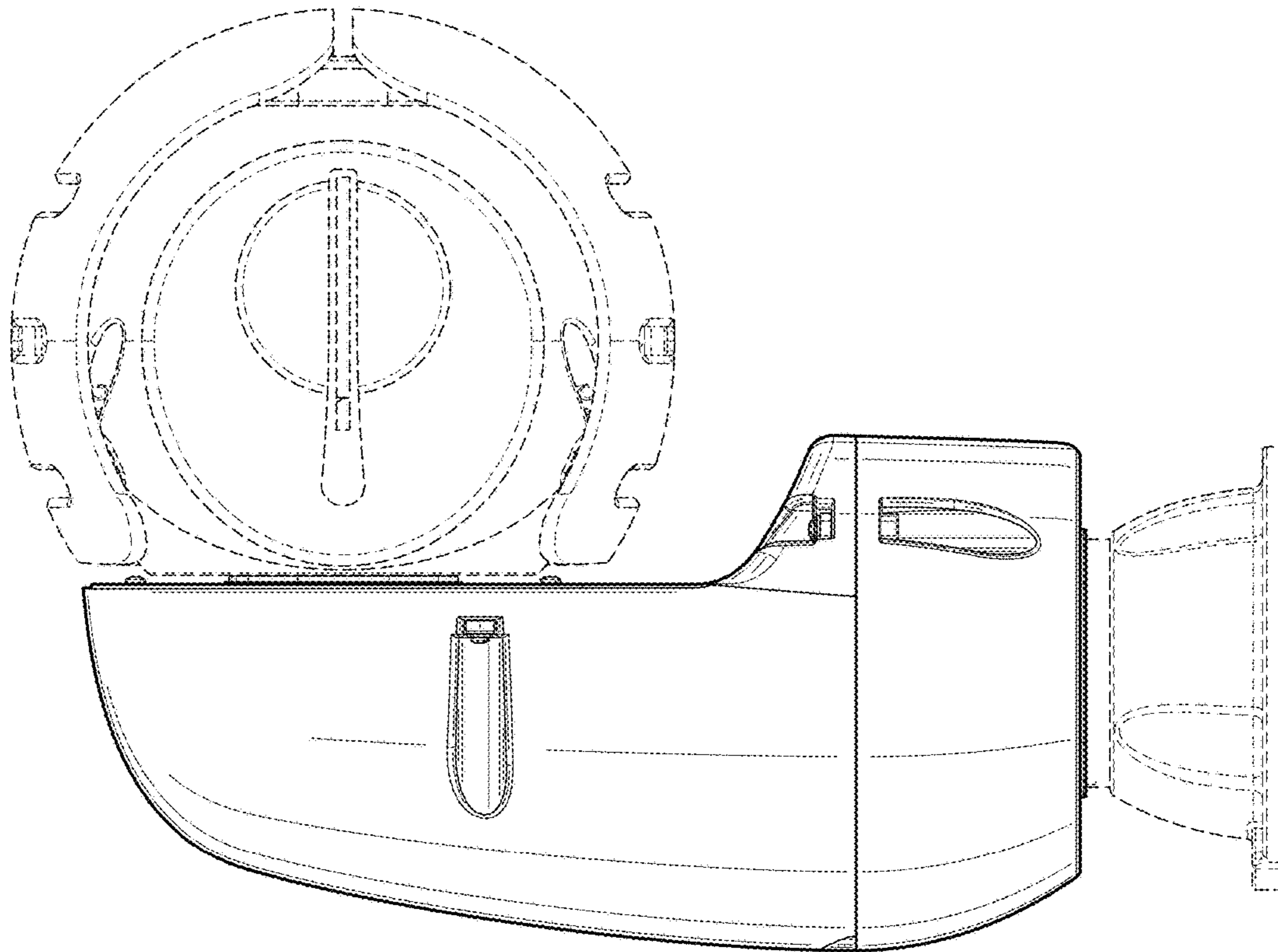


FIG. 1

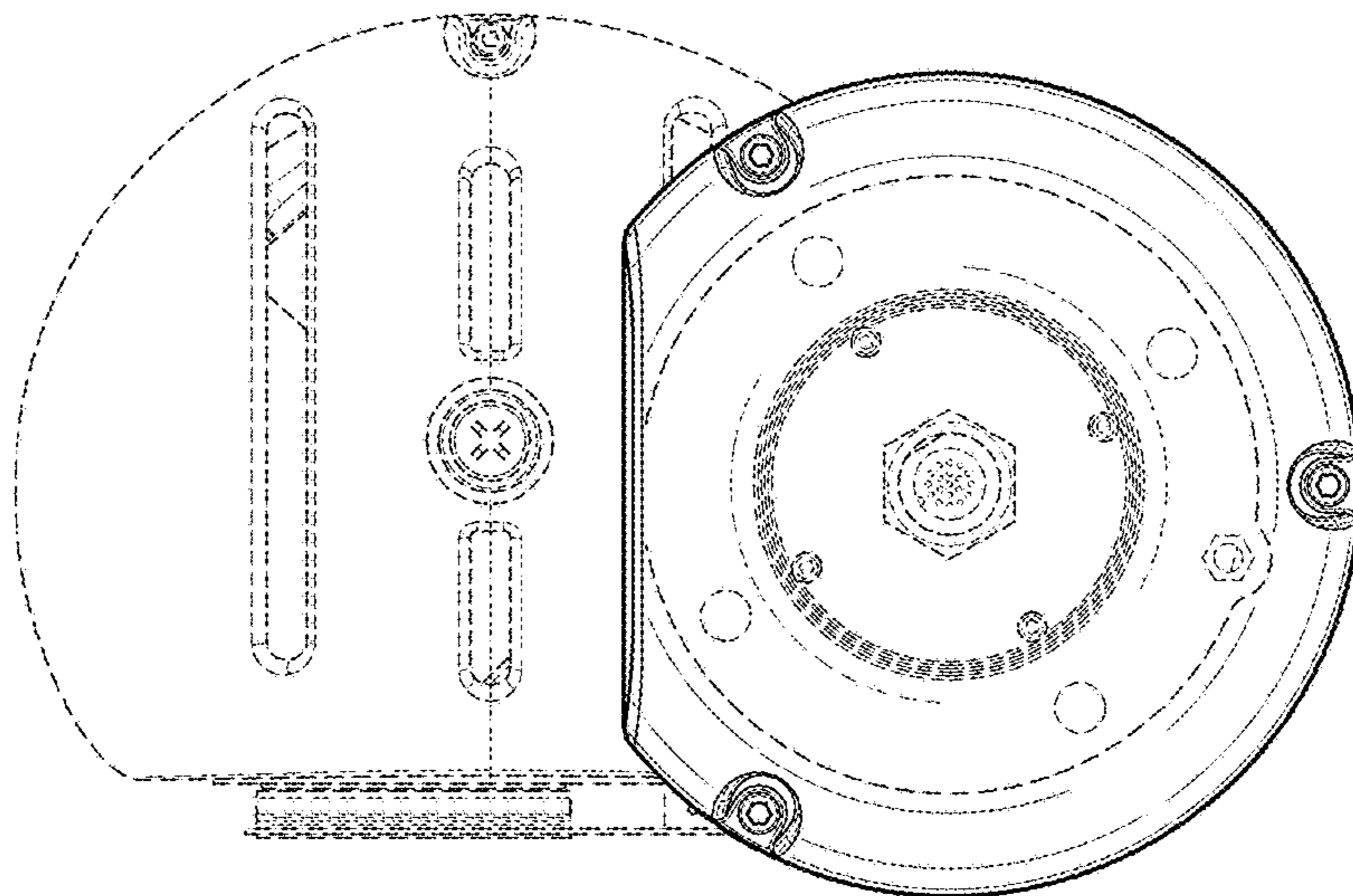


FIG. 2

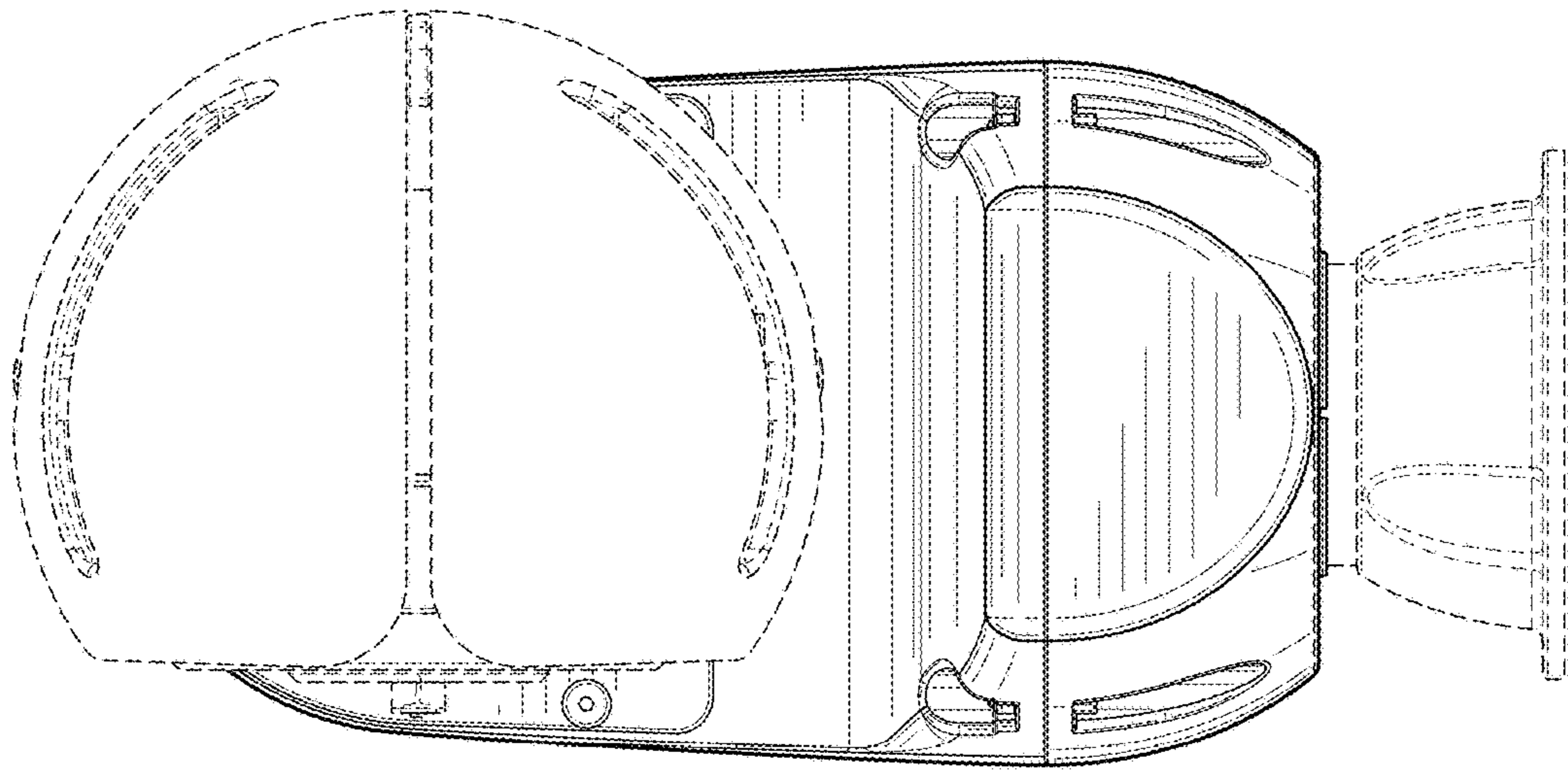


FIG. 3

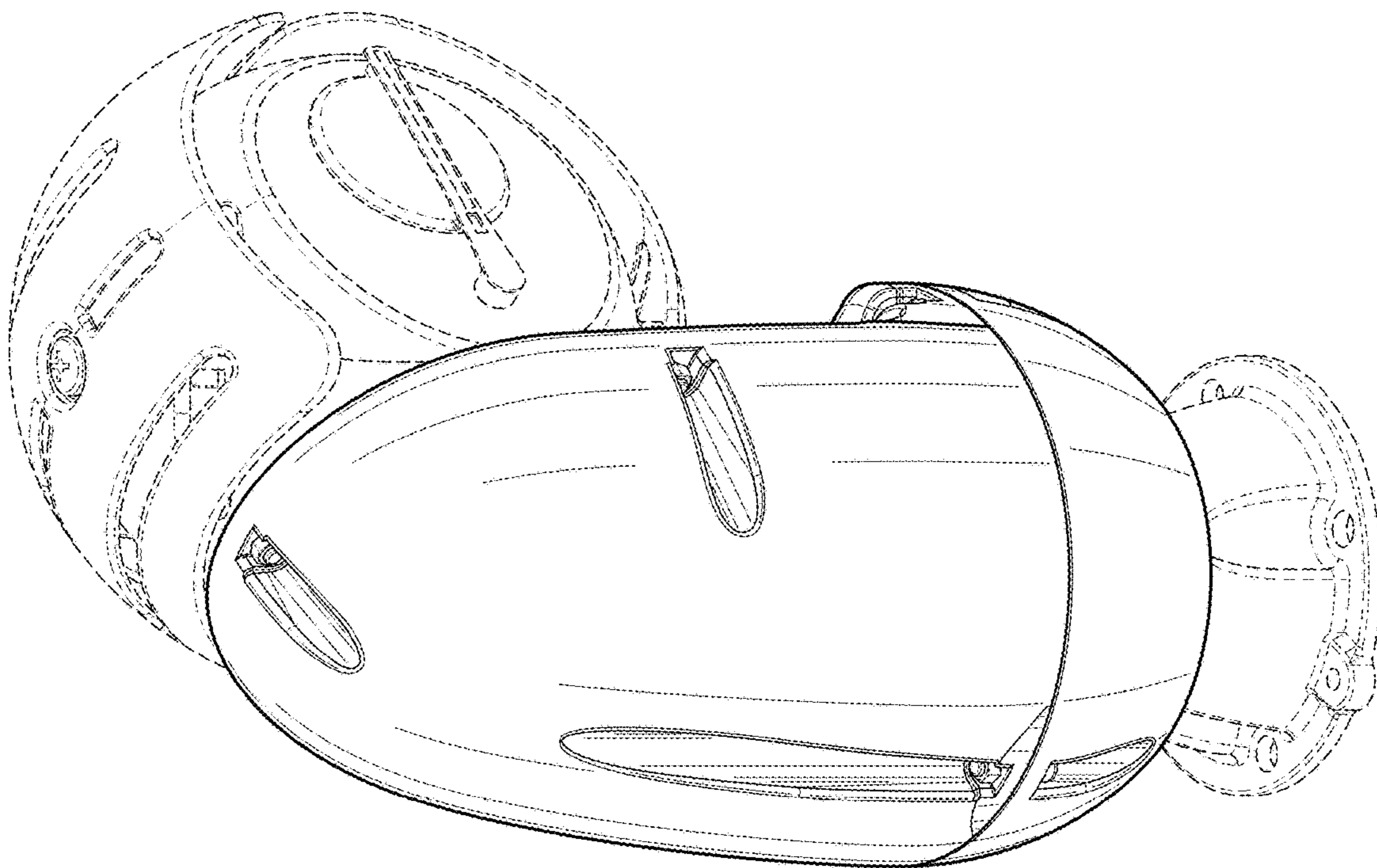


FIG. 4

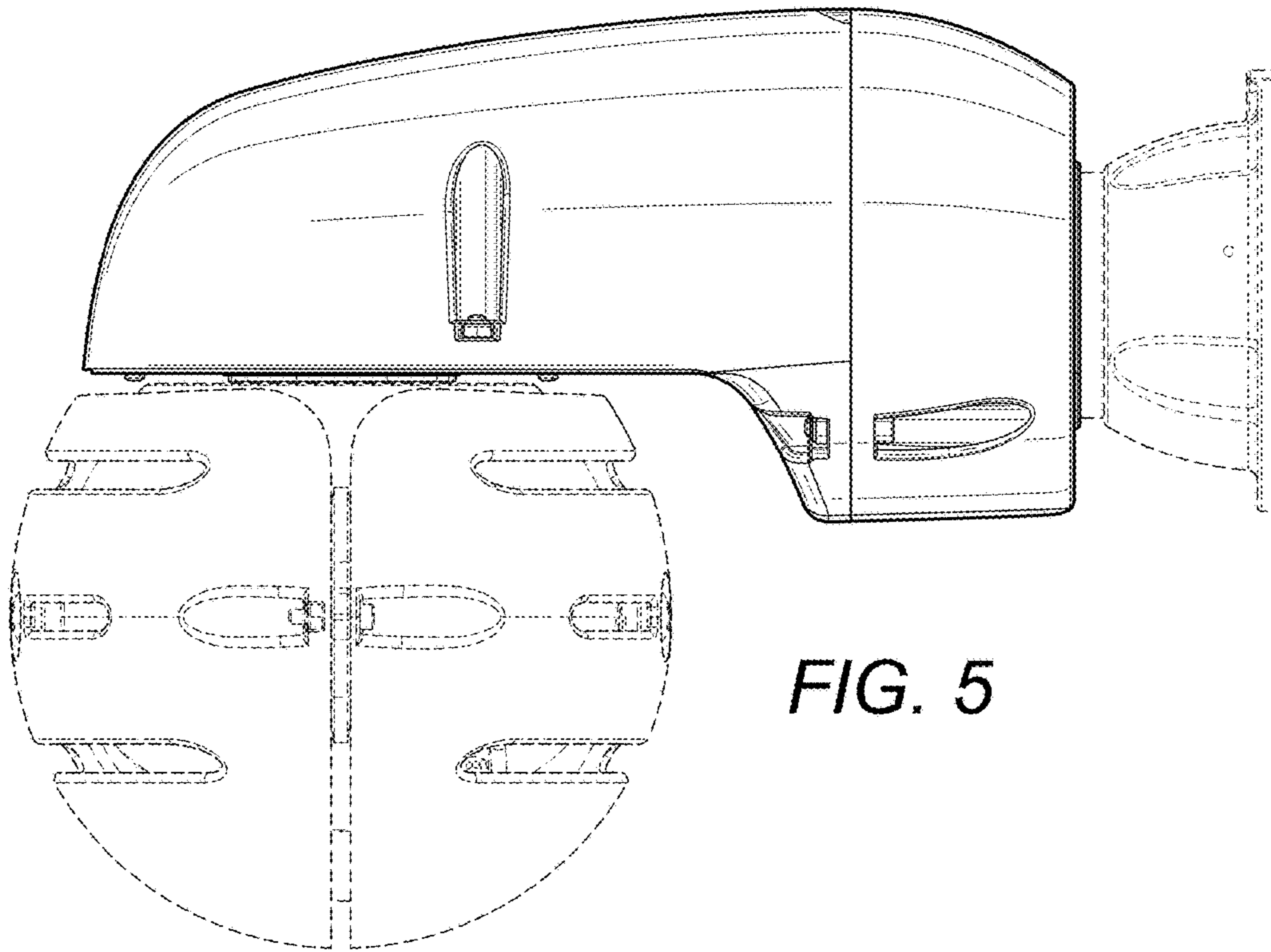


FIG. 5

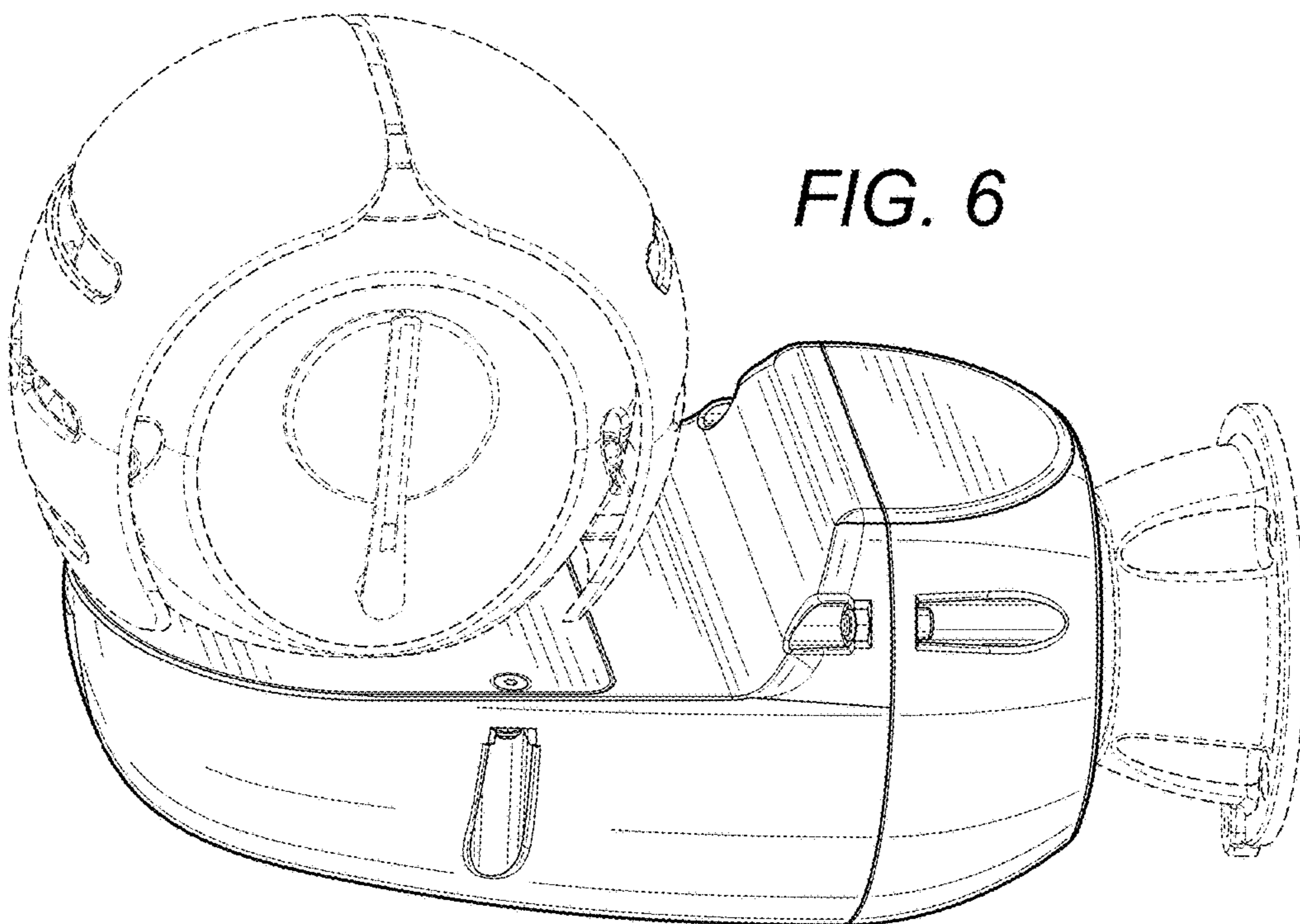


FIG. 6

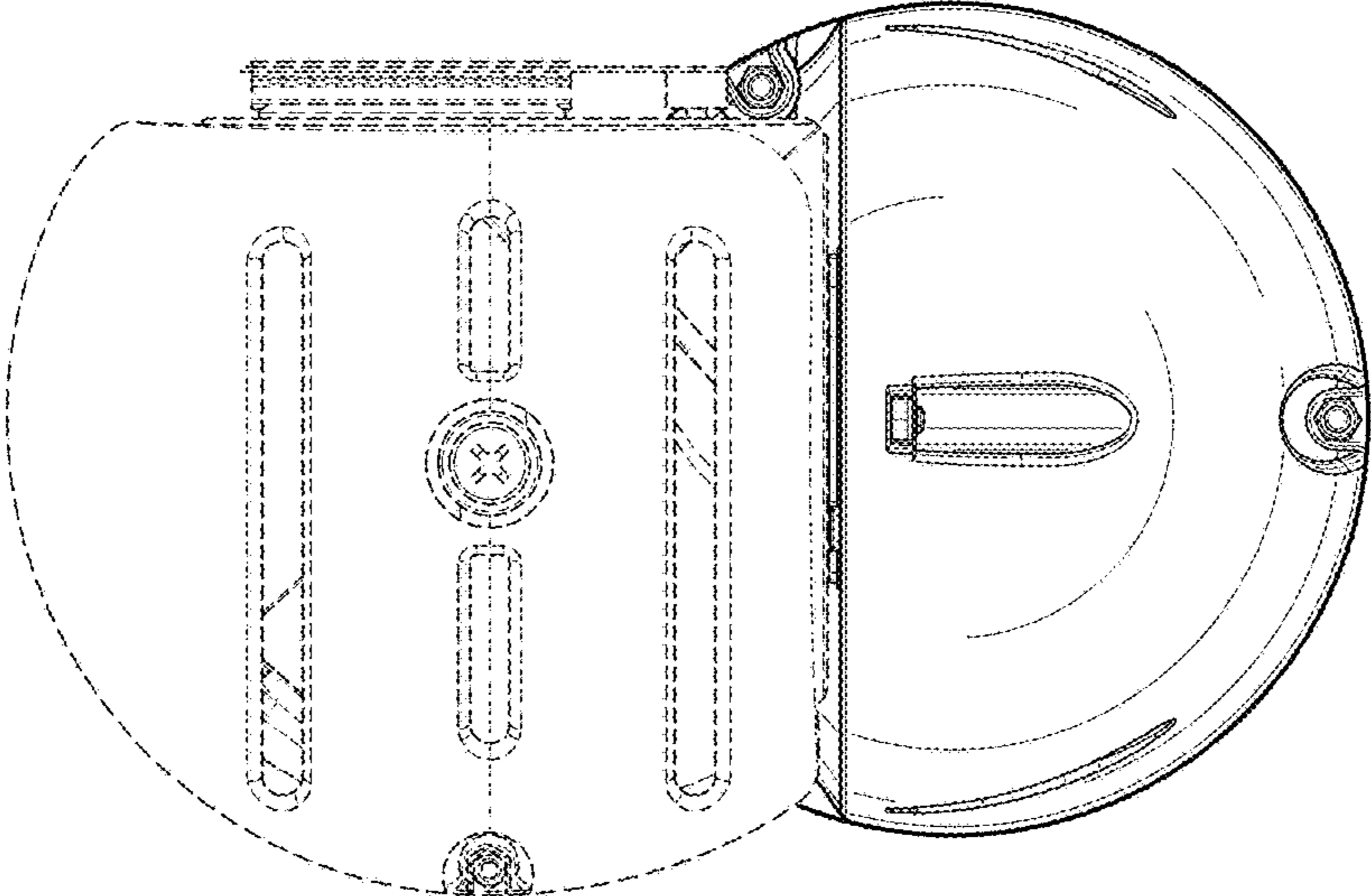


FIG. 7

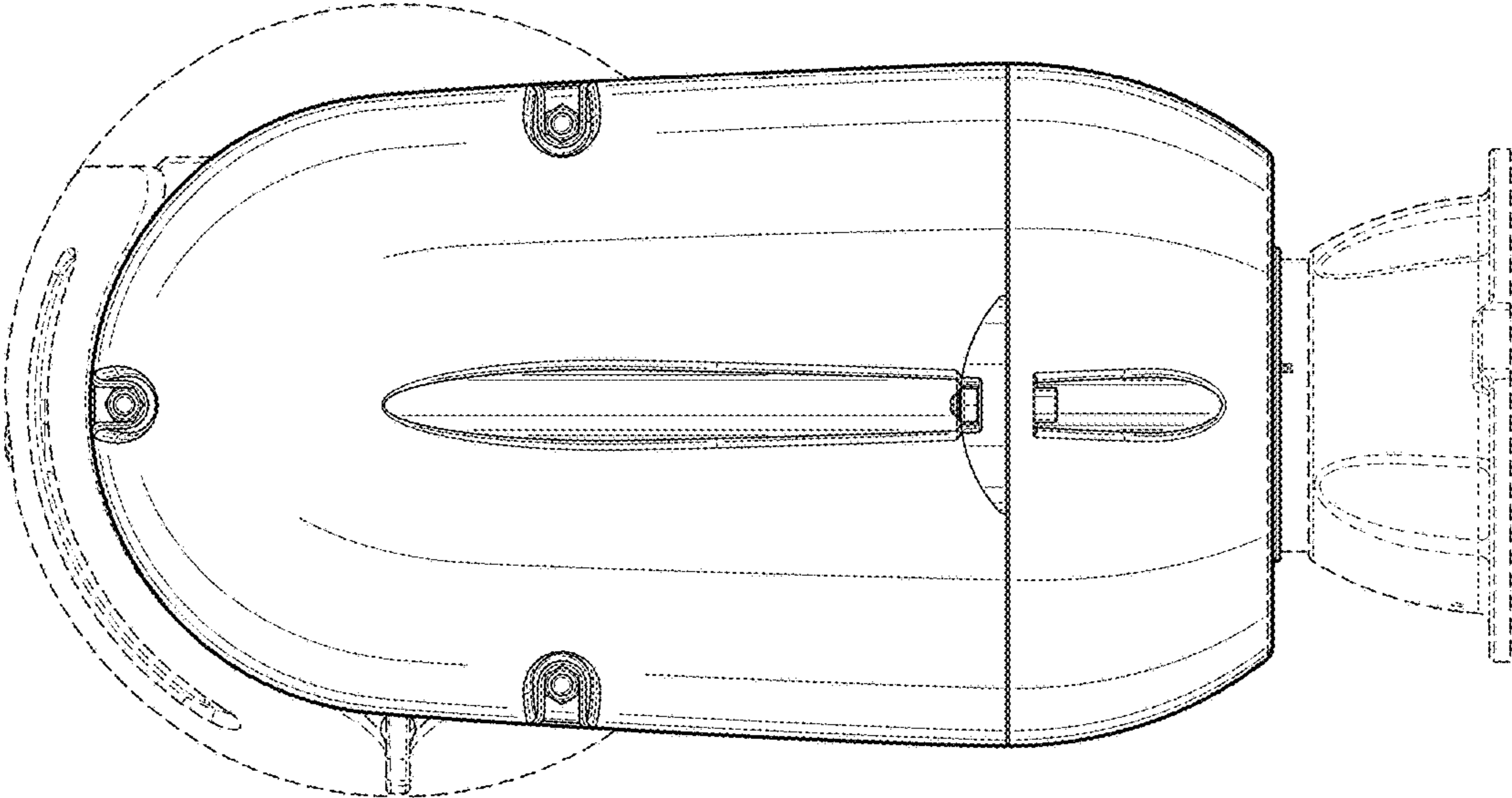


FIG. 8