



US00D817375S

(12) **United States Design Patent** (10) **Patent No.:** **US D817,375 S**
Deyle et al. (45) **Date of Patent:** **** May 8, 2018**

(54) **MOBILE ROBOT**
(71) Applicant: **Cobalt Robotics Inc.**, Palo Alto, CA (US)
(72) Inventors: **Travis J. Deyle**, San Jose, CA (US); **Erik Schluntz**, Mountain View, CA (US); **Yves Béhar**, San Francisco, CA (US); **Dan Moshe Semo**, San Francisco, CA (US); **Michael Stephen McHale**, San Francisco, CA (US); **Peregrine Badger**, Mountain View, CA (US)

D635,603 S * 4/2011 Paz Rodriguez D15/199
D644,256 S * 8/2011 Kitano D15/199
D675,656 S * 2/2013 Sutherland D15/199
D701,256 S * 3/2014 Song D15/199
D719,620 S * 12/2014 Clerc B25J 5/007
D15/199
D725,166 S * 3/2015 Paik D15/199
D725,167 S * 3/2015 Song D15/199
D726,836 S * 4/2015 Song D15/199
D732,096 S * 6/2015 Jang D15/199
D735,258 S * 7/2015 Jang D15/199
D739,450 S * 9/2015 Jain D15/199
D760,673 S * 7/2016 Chalabi D14/125
D761,894 S * 7/2016 Ho D15/199
D765,180 S * 8/2016 Huang D20/5
D766,644 S * 9/2016 Huang D15/199
D781,945 S * 3/2017 Uno D15/199
D793,145 S * 8/2017 Huang D15/199

(73) Assignee: **Cobalt Robotics Inc.**, Palo Alto, CA (US)

(**) Term: **15 Years**

Primary Examiner — Patricia A Palasik
(74) *Attorney, Agent, or Firm* — Fenwick & West LLP

(21) Appl. No.: **29/593,161**

(57) **CLAIM**

(22) Filed: **Feb. 6, 2017**

The ornamental design for a mobile robot, as shown and described.

(51) **LOC (11) Cl.** **15-99**

(52) **U.S. Cl.**
USPC **D15/199**

DESCRIPTION

(58) **Field of Classification Search**
USPC D15/199; D21/578-583, 621, 622
CPC B25J 9/044; B25J 9/102; G06F 3/0485; Y10T 74/20305

FIG. 1 is a front, top and left side perspective view of a mobile robot showing our new design;
FIG. 2 is a rear, top and right side perspective view thereof;
FIG. 3 is a front elevational view thereof;
FIG. 4 is a rear elevational view thereof;
FIG. 5 is a left side elevational view thereof;
FIG. 6 is a right side elevational view thereof;
FIG. 7 is a top plan view thereof; and,
FIG. 8 is a bottom plan view thereof.

See application file for complete search history.

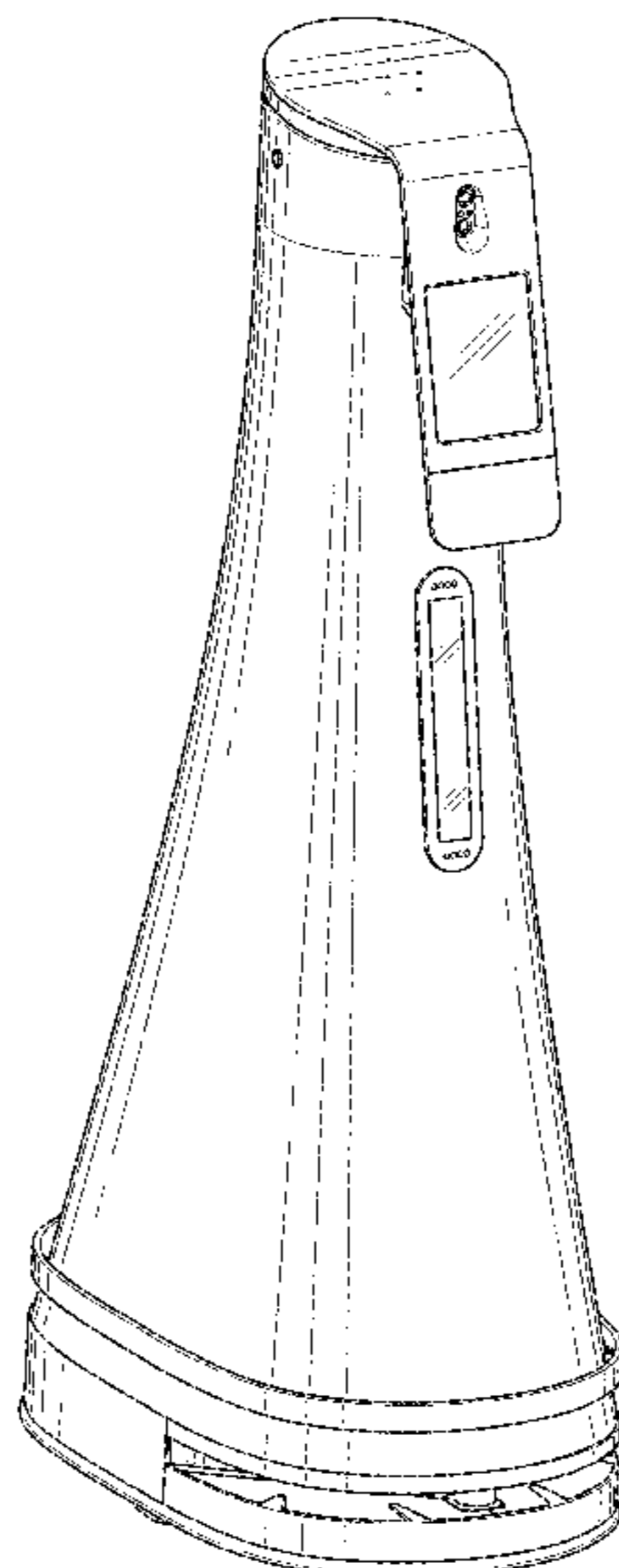
The broken lines in the drawings showing portions of the mobile robot are included for the purpose of illustrating environmental structure and form no part of the claimed design.

(56) **References Cited**

U.S. PATENT DOCUMENTS

D285,599 S * 9/1986 Forino D21/578
D450,788 S * 11/2001 Kawasaki D21/578
D549,756 S * 8/2007 Park D15/199
D559,288 S * 1/2008 Matsuda D15/199
D563,443 S * 3/2008 Ahn D15/199
D579,035 S * 10/2008 Kim B25J 11/008
D15/199

1 Claim, 8 Drawing Sheets



(56)

References Cited

U.S. PATENT DOCUMENTS

D799,575 S * 10/2017 Tang D15/199
9,776,327 B2 * 10/2017 Pinter B25J 9/1676

* cited by examiner

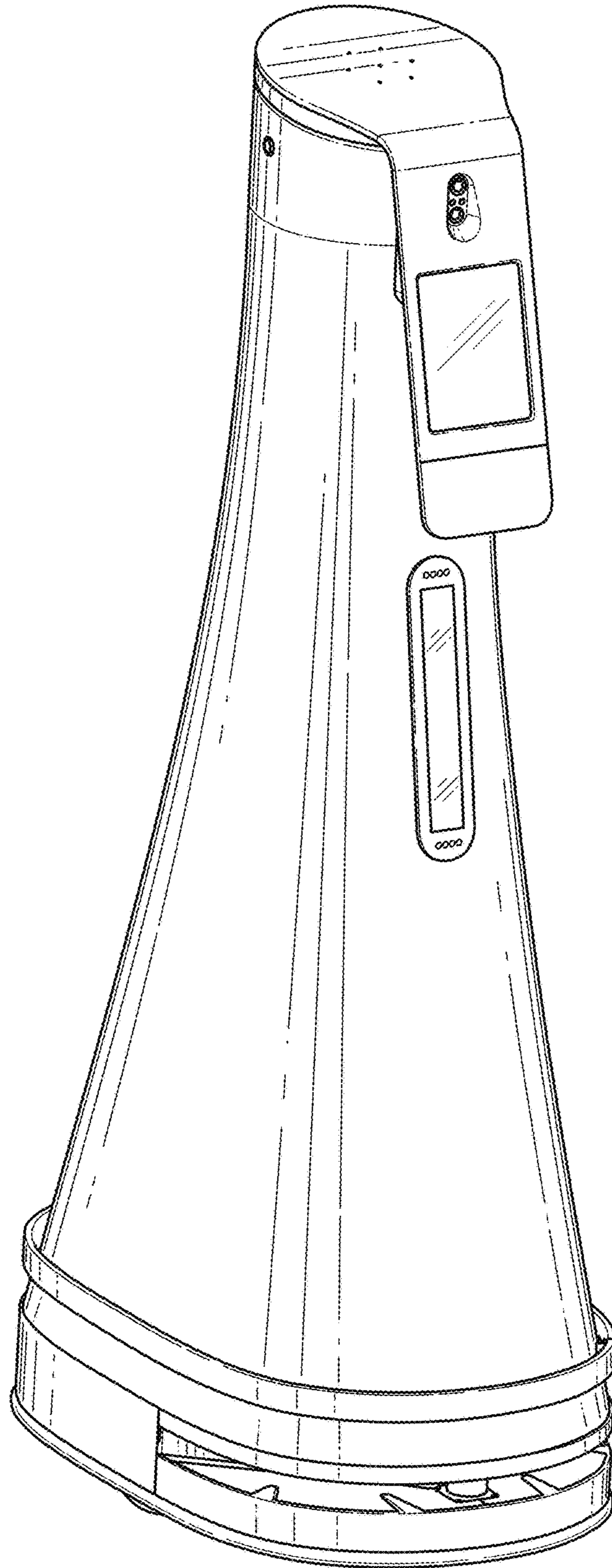


FIG. 1

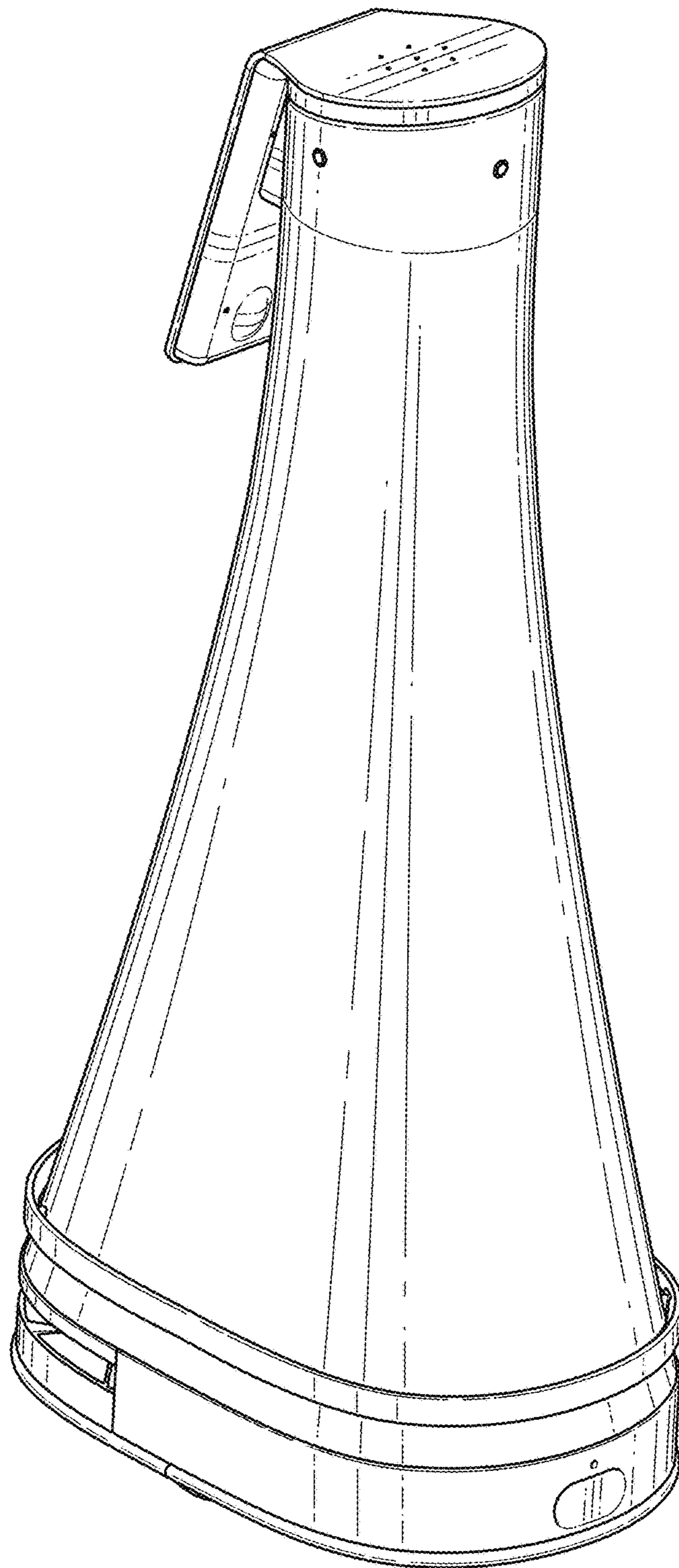


FIG. 2

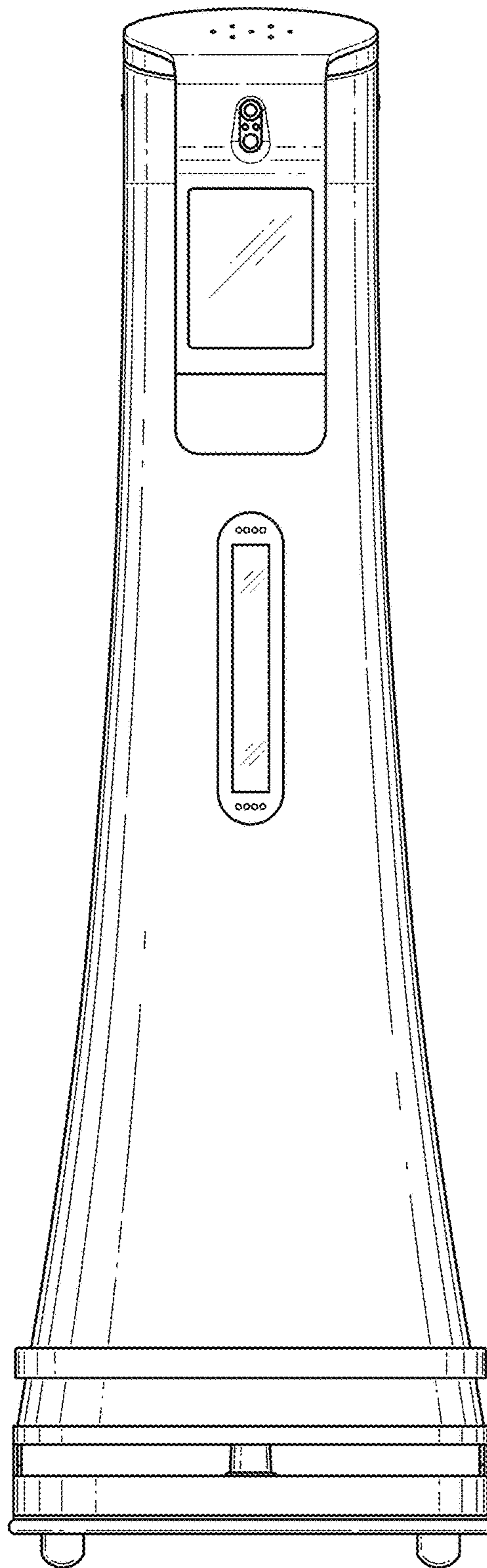


FIG. 3

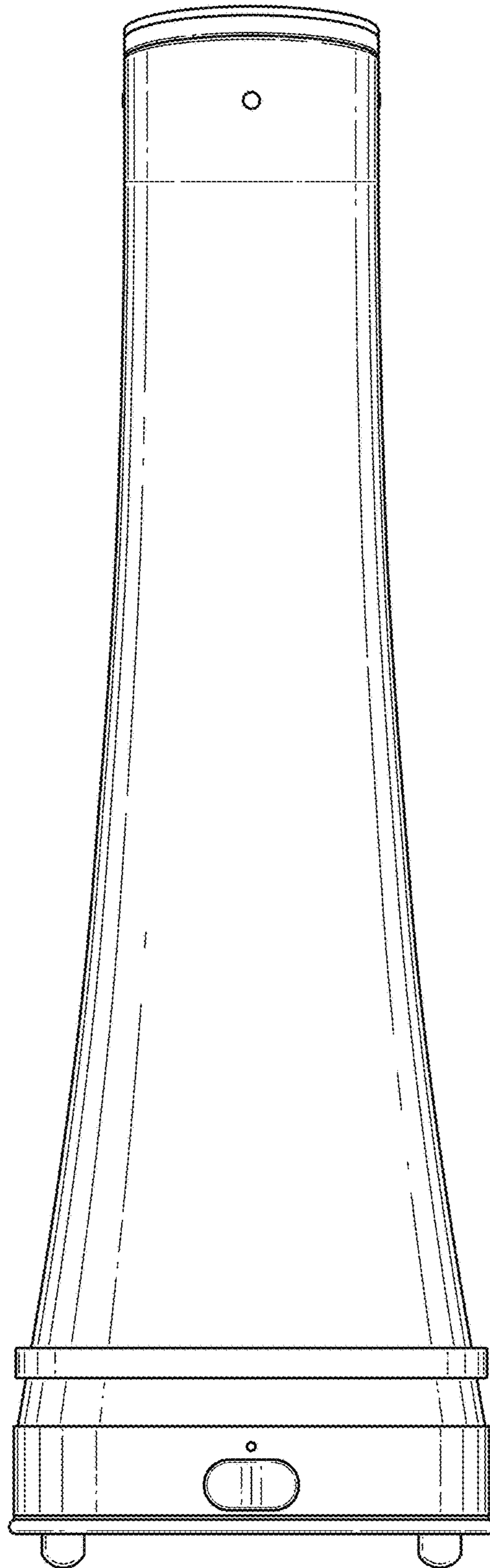


FIG. 4

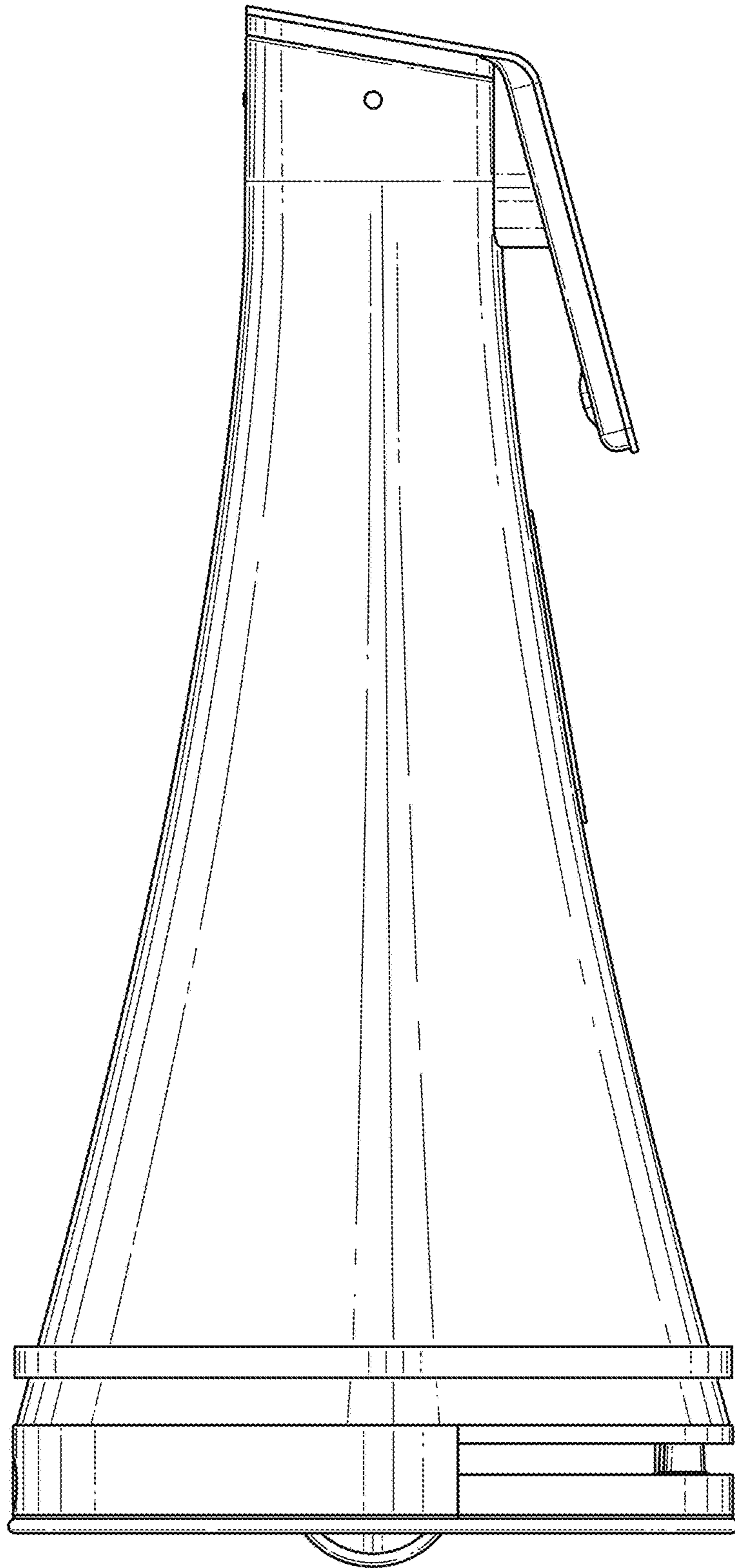


FIG. 5

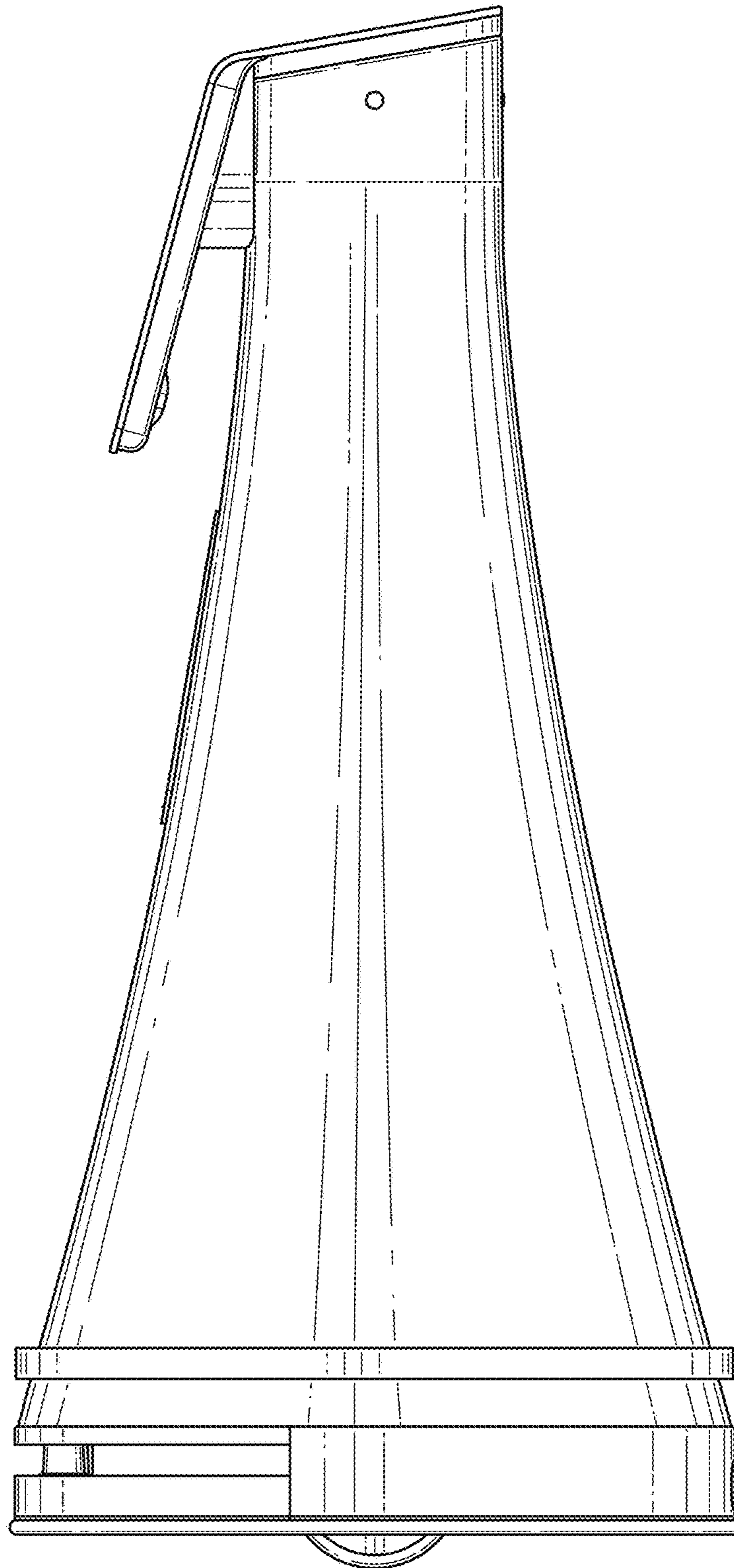


FIG. 6

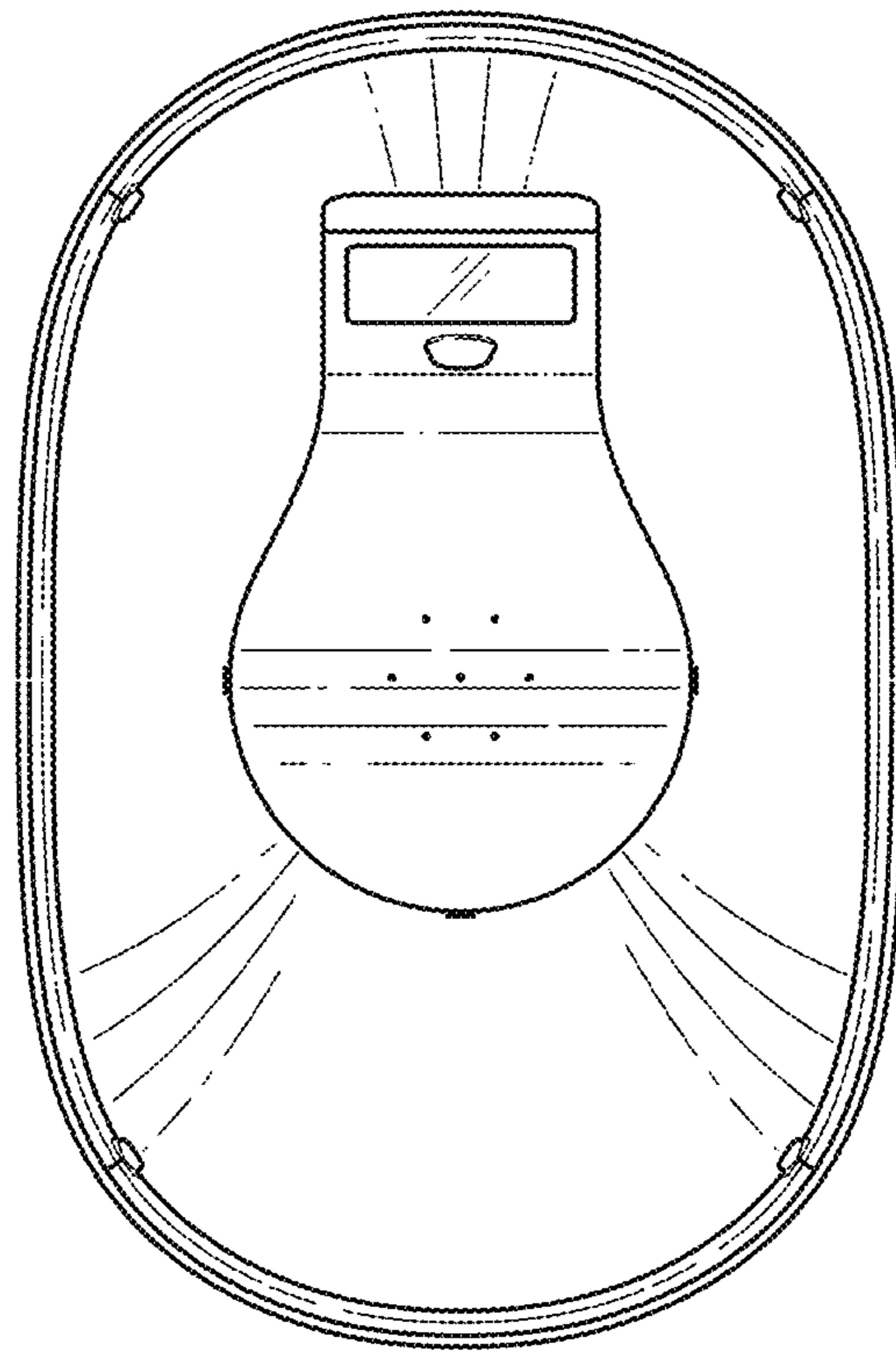


FIG. 7

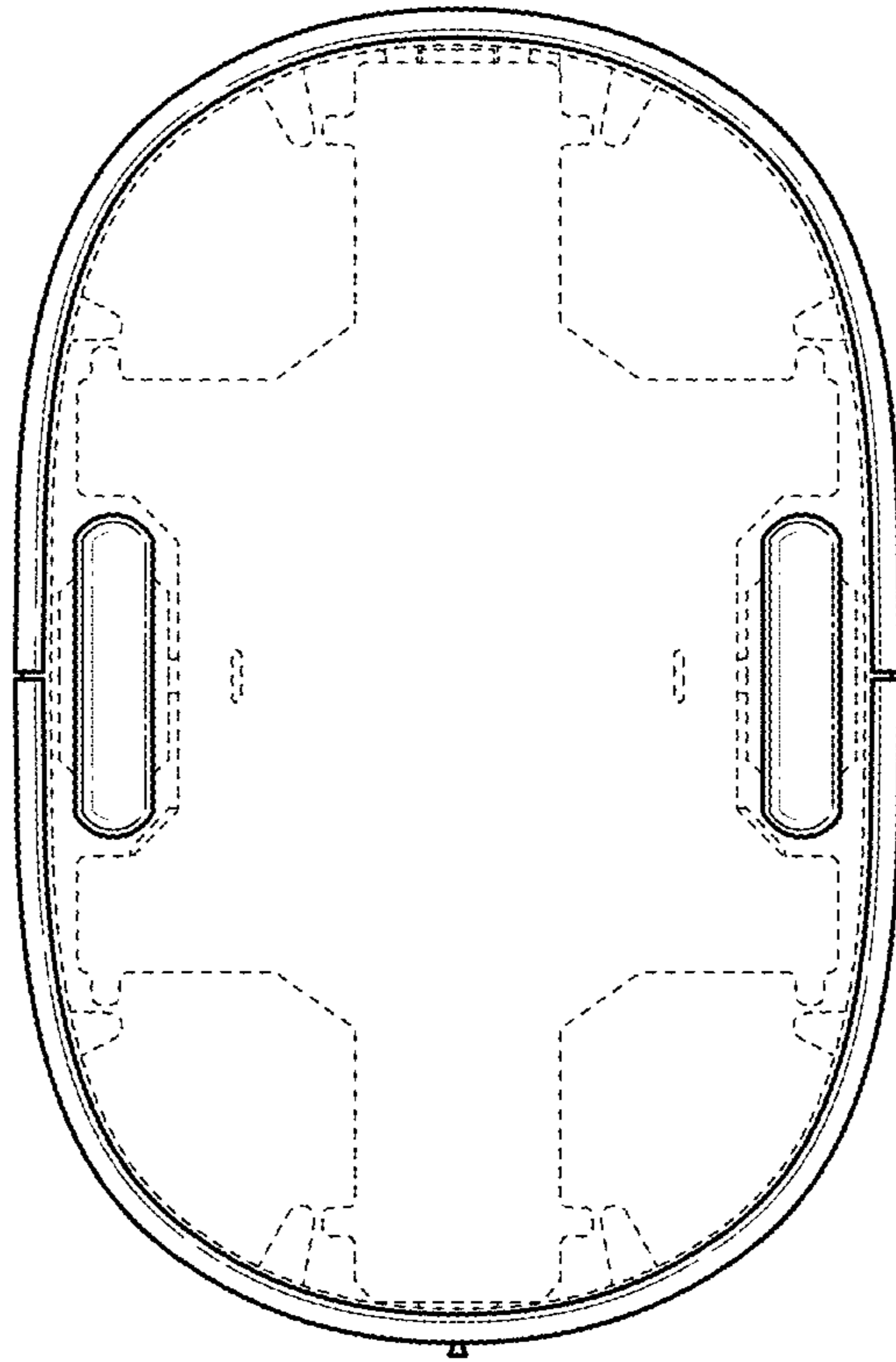


FIG. 8