



US00D817374S

(12) **United States Design Patent** (10) **Patent No.:** **US D817,374 S**
Liu et al. (45) **Date of Patent:** **** May 8, 2018**

(54) **MOBILE ROBOT**

(71) Applicant: **HON HAI PRECISION INDUSTRY CO., LTD.,** New Taipei (TW)

(72) Inventors: **Han-Pin Liu,** New Taipei (TW);
Chieh-Yu Lee, New Taipei (TW);
Chih-Siung Chiang, New Taipei (TW);
Ying-Wei Sheng, New Taipei (TW)

(73) Assignee: **HON HAI PRECISION INDUSTRY CO., LTD.,** New Taipei (TW)

(**) Term: **15 Years**

(21) Appl. No.: **29/584,434**

(22) Filed: **Nov. 15, 2016**

(30) **Foreign Application Priority Data**

May 27, 2016 (CN) 2016 3 0207183

(51) **LOC (11) Cl.** **15-99**

(52) **U.S. Cl.**
USPC **D15/199**

(58) **Field of Classification Search**
USPC D7/300, 305, 306-311, 397-400;
D10/16, 22, 23, 25, 28; D14/125, 159,
D14/209.1, 216, 221, 239, 265, 496, 497,
D14/508, 509; D15/10-13, 22, 199;
D20/1, 4, 5, 8; D23/383; D32/17, 18,
D32/21, 22, 31-34
CPC A63H 11/00; A63H 2200/00; B25J 9/00;
B25J 9/04; B25J 18/00; G06N 3/00;
G06N 3/004; G06N 3/008

See application file for complete search history.

(56) **References Cited**

U.S. PATENT DOCUMENTS

D347,796 S * 6/1994 Wolff D10/22
D421,275 S * 2/2000 Frenkler D20/2
6,368,176 B1 * 4/2002 Lozowski A63H 5/00
446/169

D466,029 S * 11/2002 Joss D10/22
D468,296 S * 1/2003 Graceffa D13/164
D521,470 S * 5/2006 Hoehn D14/126
D522,473 S * 6/2006 Lin D14/126
D541,228 S * 4/2007 Thursfield D13/168
D588,022 S * 3/2009 Hocherman D10/15
D593,509 S * 6/2009 Glassman D13/168
D600,216 S * 9/2009 Glassman D13/168
D600,569 S * 9/2009 Sadler D10/15

(Continued)

OTHER PUBLICATIONS

Foxconn buys and builds robots, posted on
robotoicsbusinessreview.com, posted Jun. 13, 2016, no production
date given, [online], [site visited Aug. 15, 2017], Available from
Internet, <URL: [https://www.robotoicsbusinessreview.com/
manufacturing/china-continues-invest-european-industrial-automat-
ion/](https://www.robotoicsbusinessreview.com/manufacturing/china-continues-invest-european-industrial-automation/)>.*

(Continued)

Primary Examiner — Melanie H Tung
Assistant Examiner — Fritzgerald L Butac
(74) *Attorney, Agent, or Firm* — ScienBiziP, P.C.

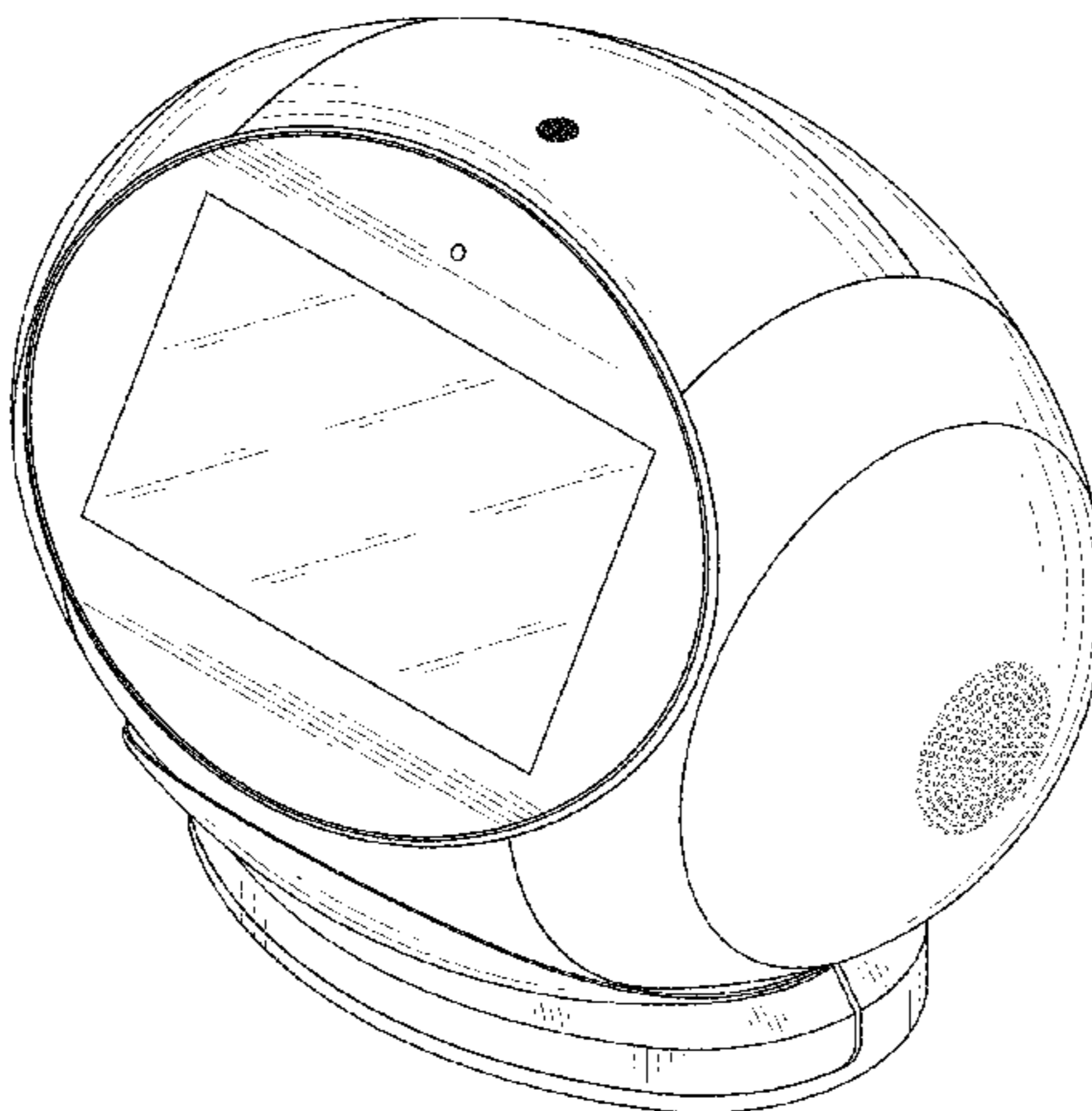
(57) **CLAIM**

We claim the ornamental design for a mobile robot, as
shown and described.

DESCRIPTION

FIG. 1 is a perspective view of a mobile robot showing my
new design;
FIG. 2 is a front elevational view thereof;
FIG. 3 is a rear elevational view thereof;
FIG. 4 is a left side elevational view thereof;
FIG. 5 is a right side elevational view thereof;
FIG. 6 is a top plan view thereof; and,
FIG. 7 is a bottom plan view thereof.
The broken lines show portions of a mobile robot that form
no part of the claimed design.

1 Claim, 7 Drawing Sheets



(56)

References Cited

U.S. PATENT DOCUMENTS

D611,846	S *	3/2010	Sadler	D10/53
D616,415	S *	5/2010	Lum	D14/188
D624,610	S *	9/2010	Wu	D21/578
D639,273	S *	6/2011	Chow	D14/209.1
D645,846	S *	9/2011	Mordechai	D14/216
D655,306	S *	3/2012	McKenzie	D14/203.3
D659,680	S *	5/2012	Kim	D14/216
D685,438	S *	7/2013	Fan	D15/199
D711,351	S *	8/2014	Breines	D14/215
D719,621	S *	12/2014	Song	D21/578
D720,752	S *	1/2015	Bleeds	D14/420
D725,167	S *	3/2015	Song	D15/199
D733,098	S *	6/2015	Takamoto	D14/215
D738,664	S *	9/2015	Cha	D7/301
D746,886	S *	1/2016	Breazeal	D15/199
D761,894	S *	7/2016	Ho	D15/199
D769,045	S *	10/2016	Cha	D7/306
D783,002	S *	4/2017	Pool	D14/218
D792,494	S *	7/2017	Matsuda	D15/199
2017/0187711	A1 *	6/2017	Joo	G06F 21/32

OTHER PUBLICATIONS

This is Otto, A Personal Assistant Robot from Samsung, posted on samsungrumors.net, posted May 1, 2016, no production date given, [online], [site visited Aug. 15, 2017], Available from Internet, <URL: <http://samsungrumors.net/otto-personal-assistant-robot-samsung/>>.*

Jibo Wants to Be the World's First Family Robot, posted on mashable.com, posted Jul. 16, 2014, no production date given, [online], [site visited Aug. 15, 2017], Available from Internet, <URL: <http://mashable.com/2014/07/16/jibo-worlds-first-family-robot/#y8VO3MtNNsq3>>.*

SKS Security Robots to put into Limited Production in 2015, posted on en.ctimes.com.tw, posted Dec. 22, 2014, no production date given, [online], [site visited Aug. 15, 2017], Available from Internet, <URL: <https://en.ctimes.com.tw/DispNews.asp?O=HJYCMB9O7DQSAA00NQ>>.*

* cited by examiner

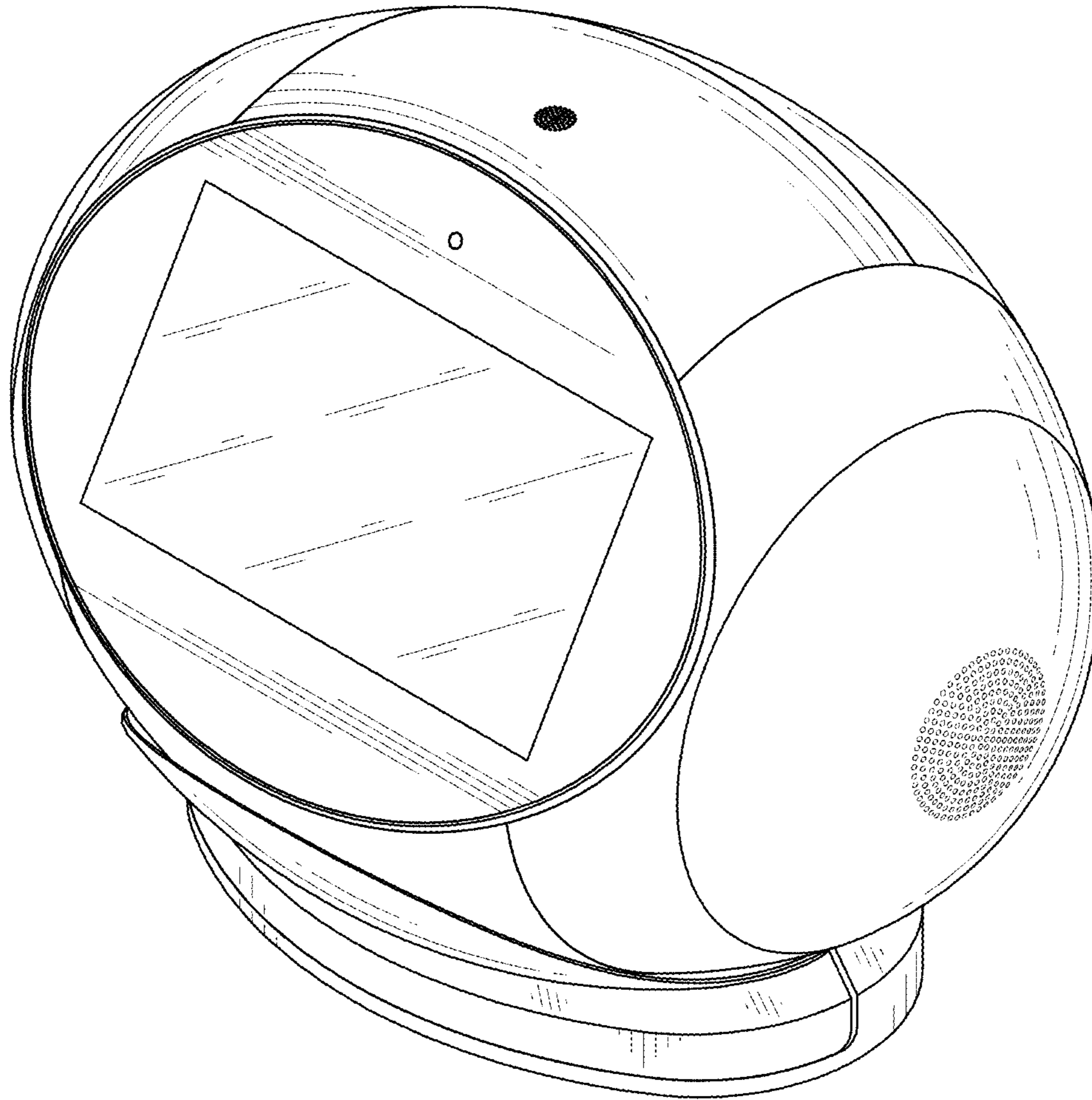


FIG. 1

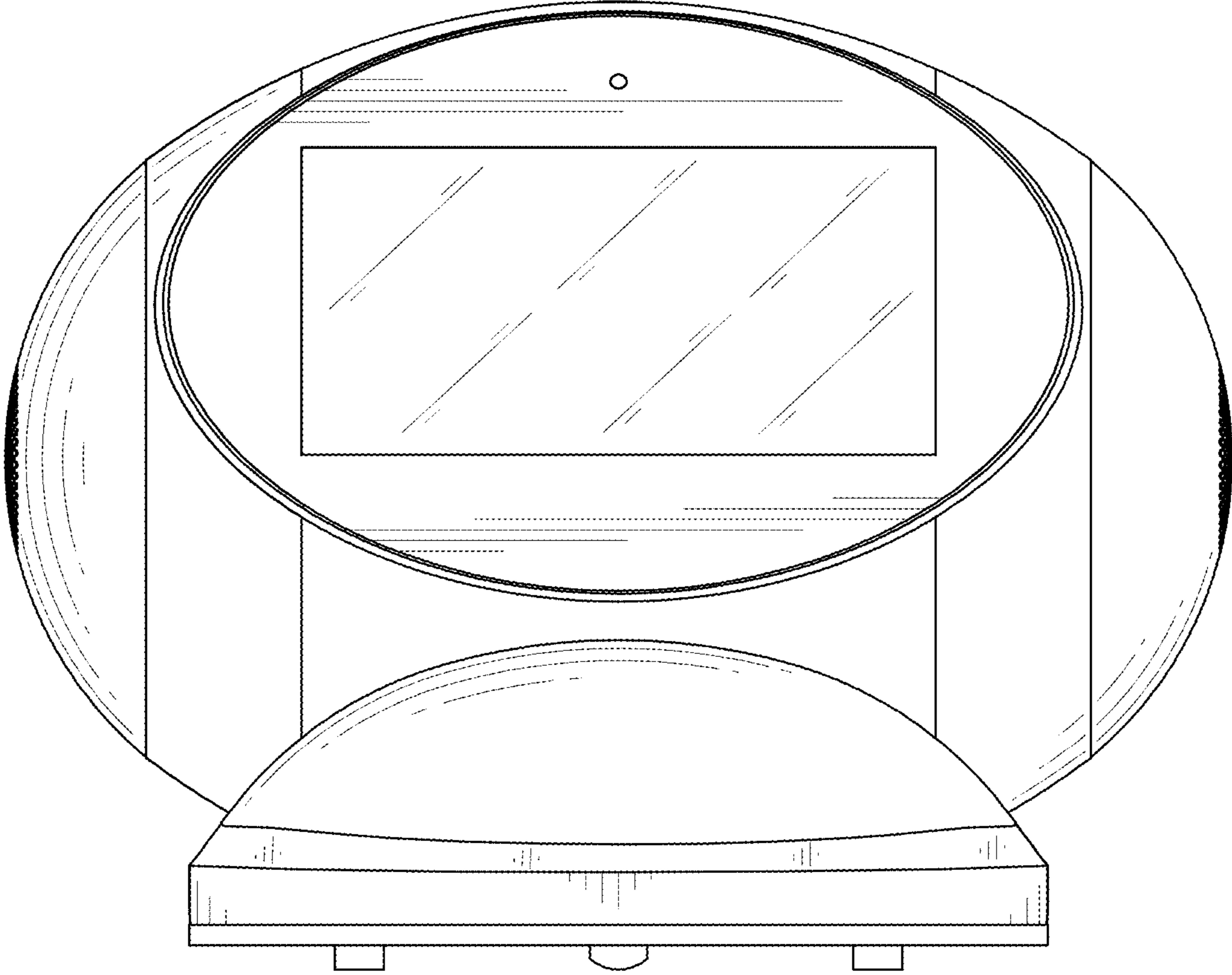


FIG. 2

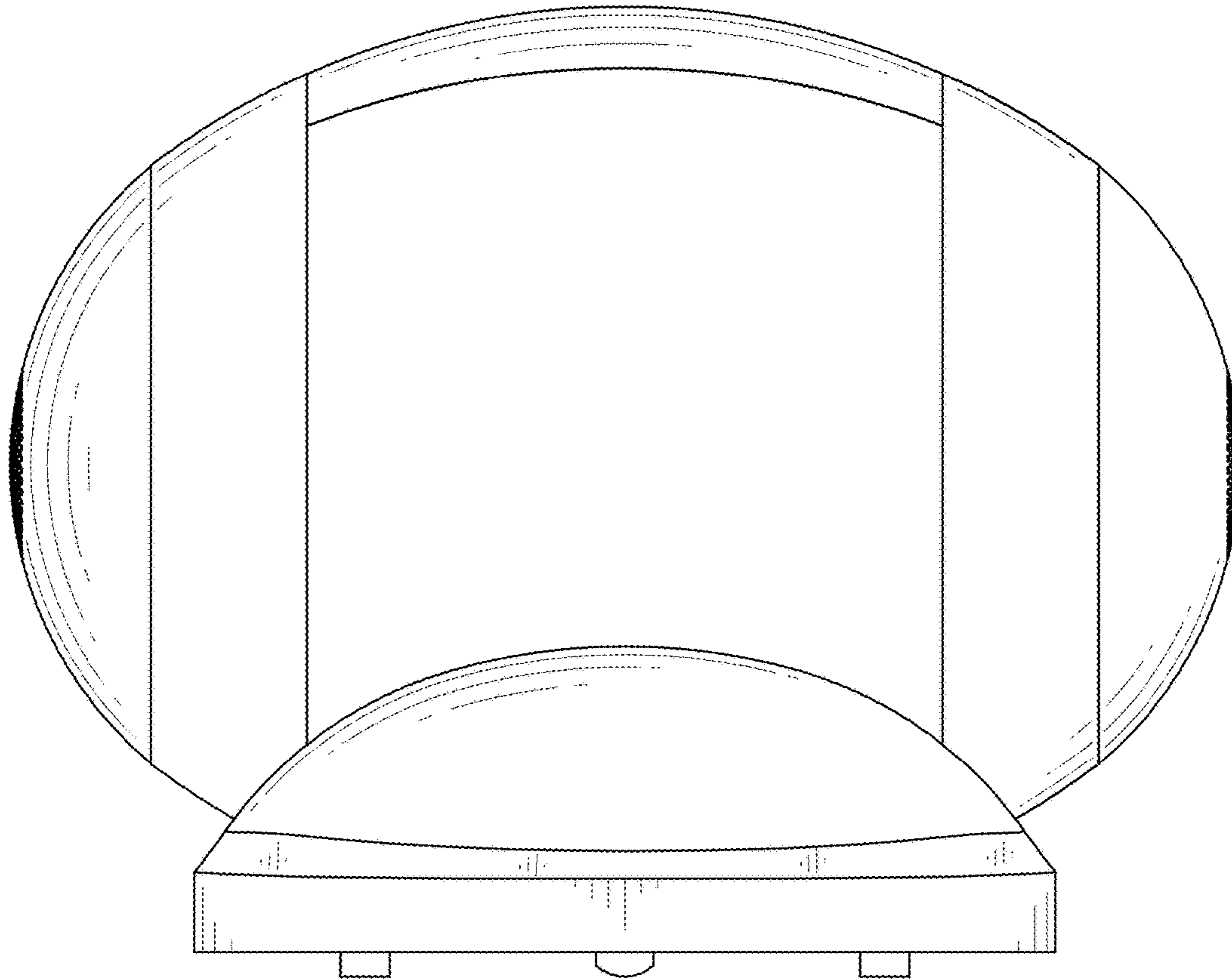


FIG. 3

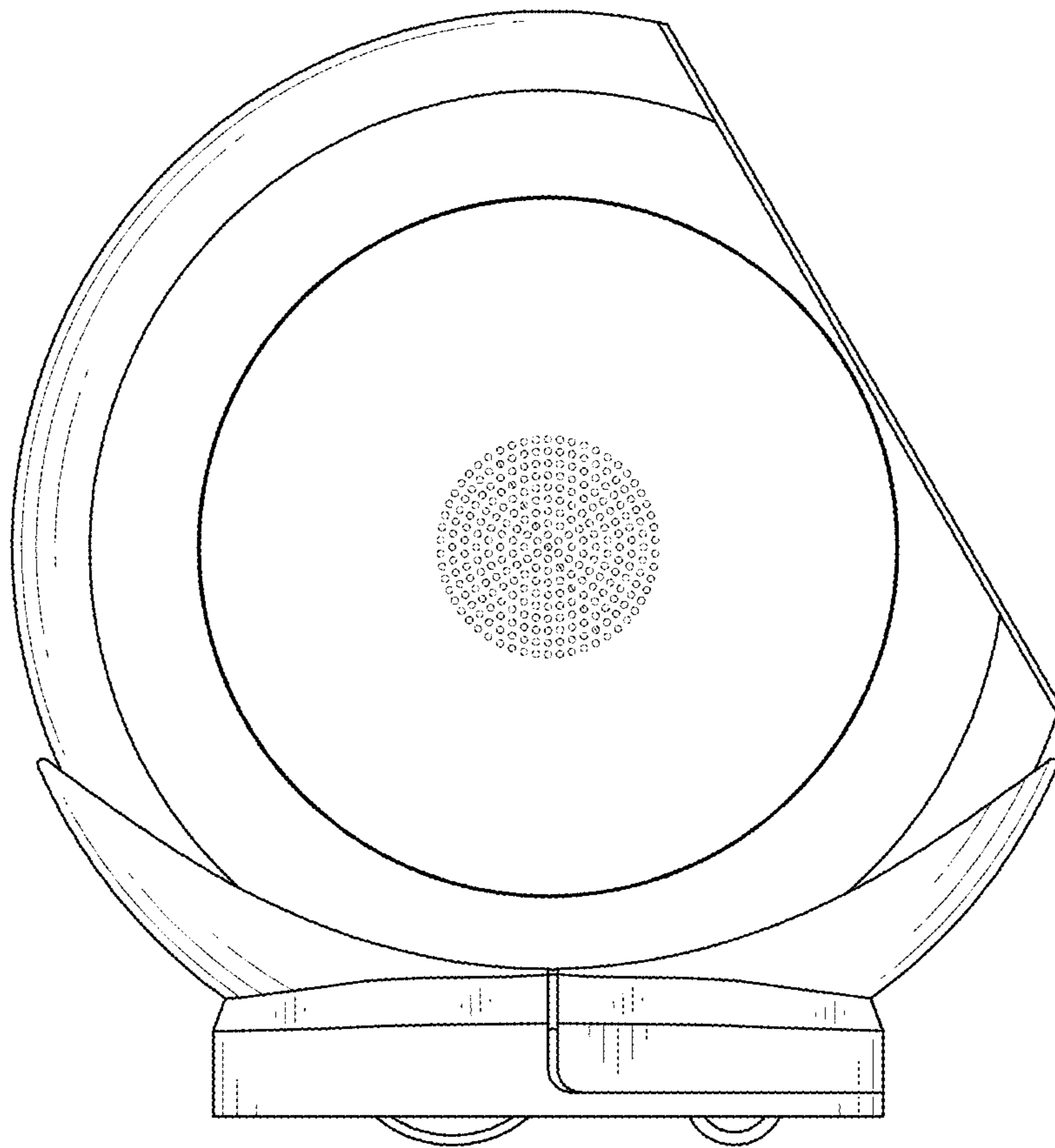


FIG. 4

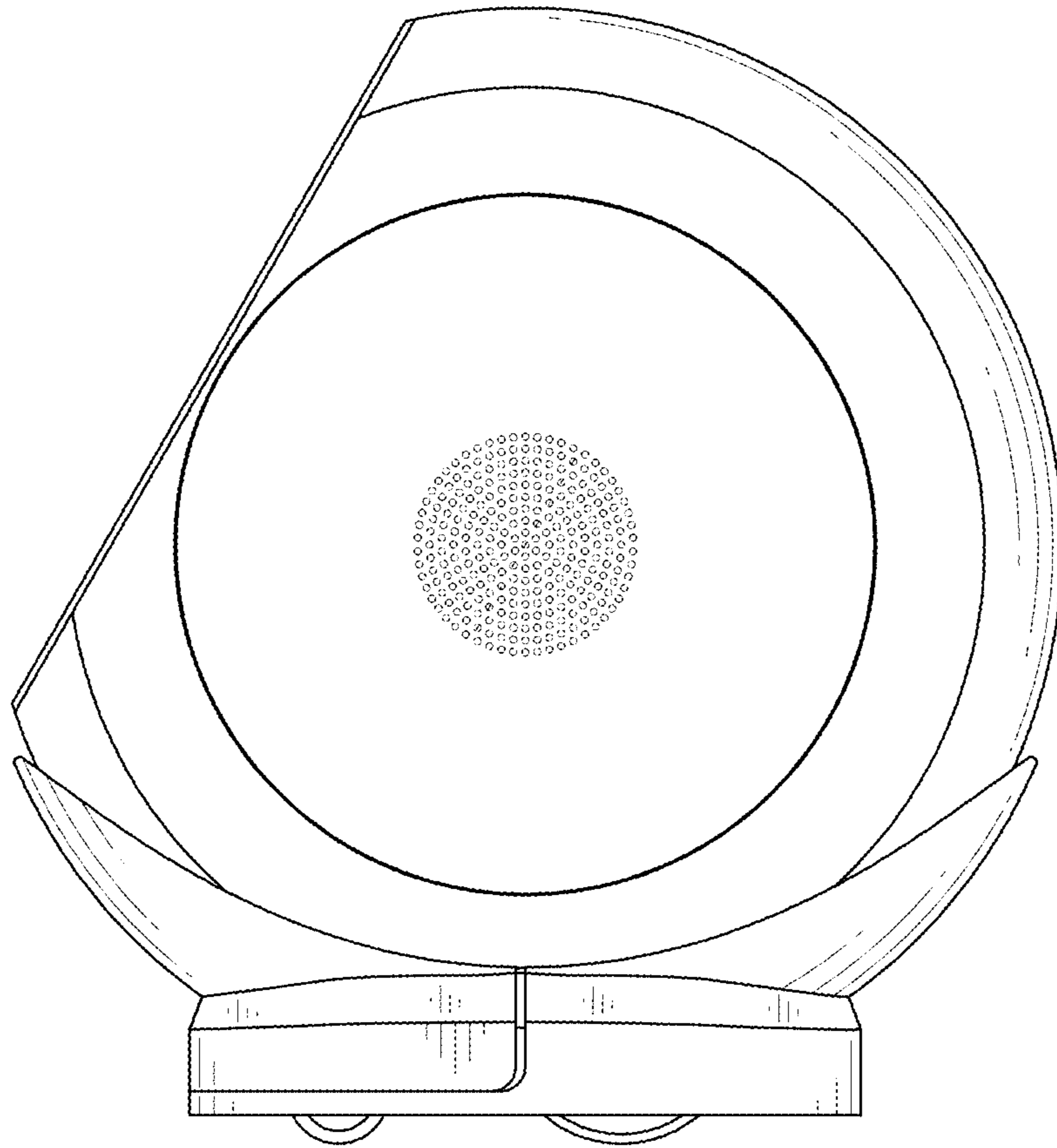


FIG. 5

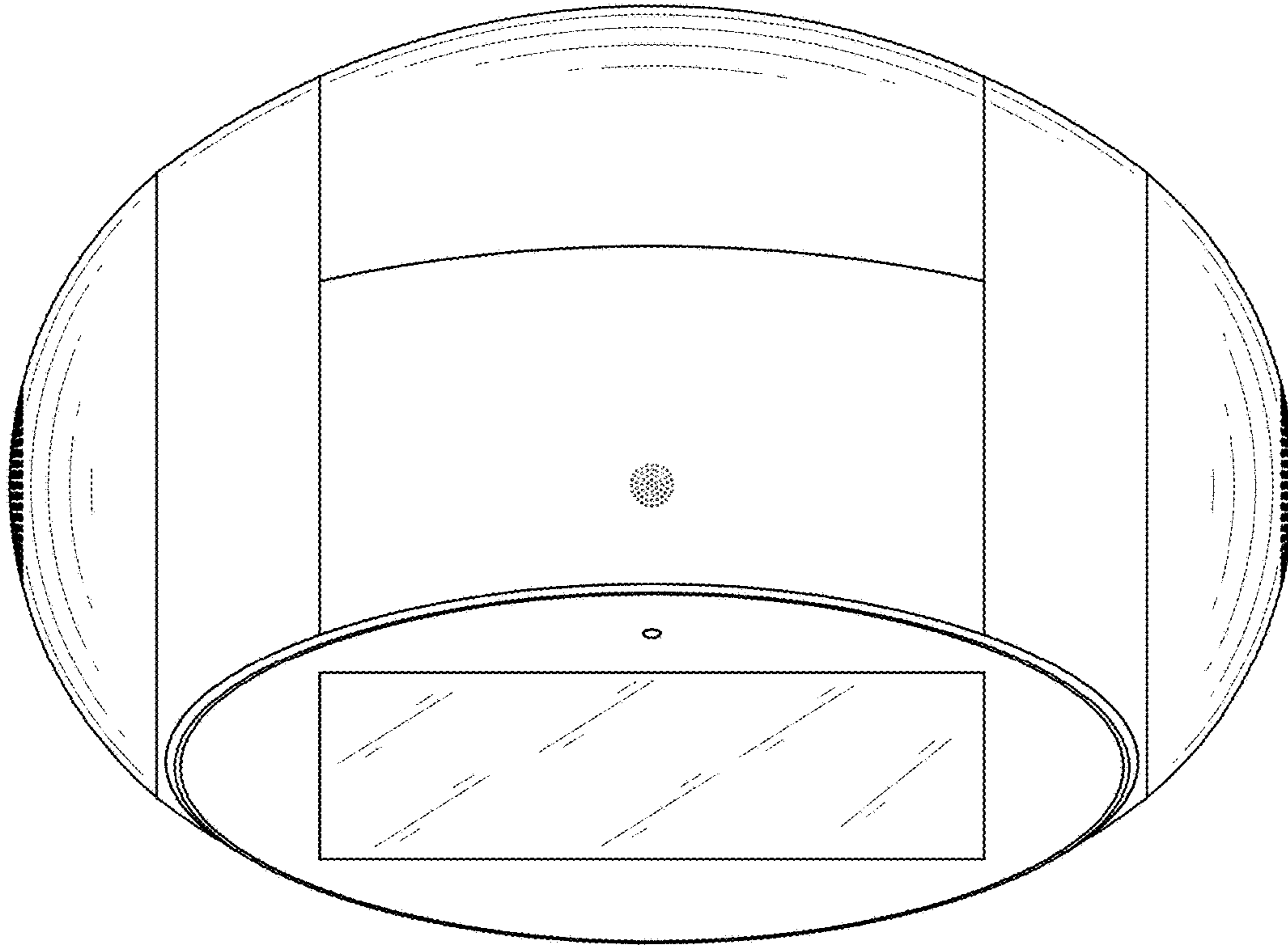


FIG. 6

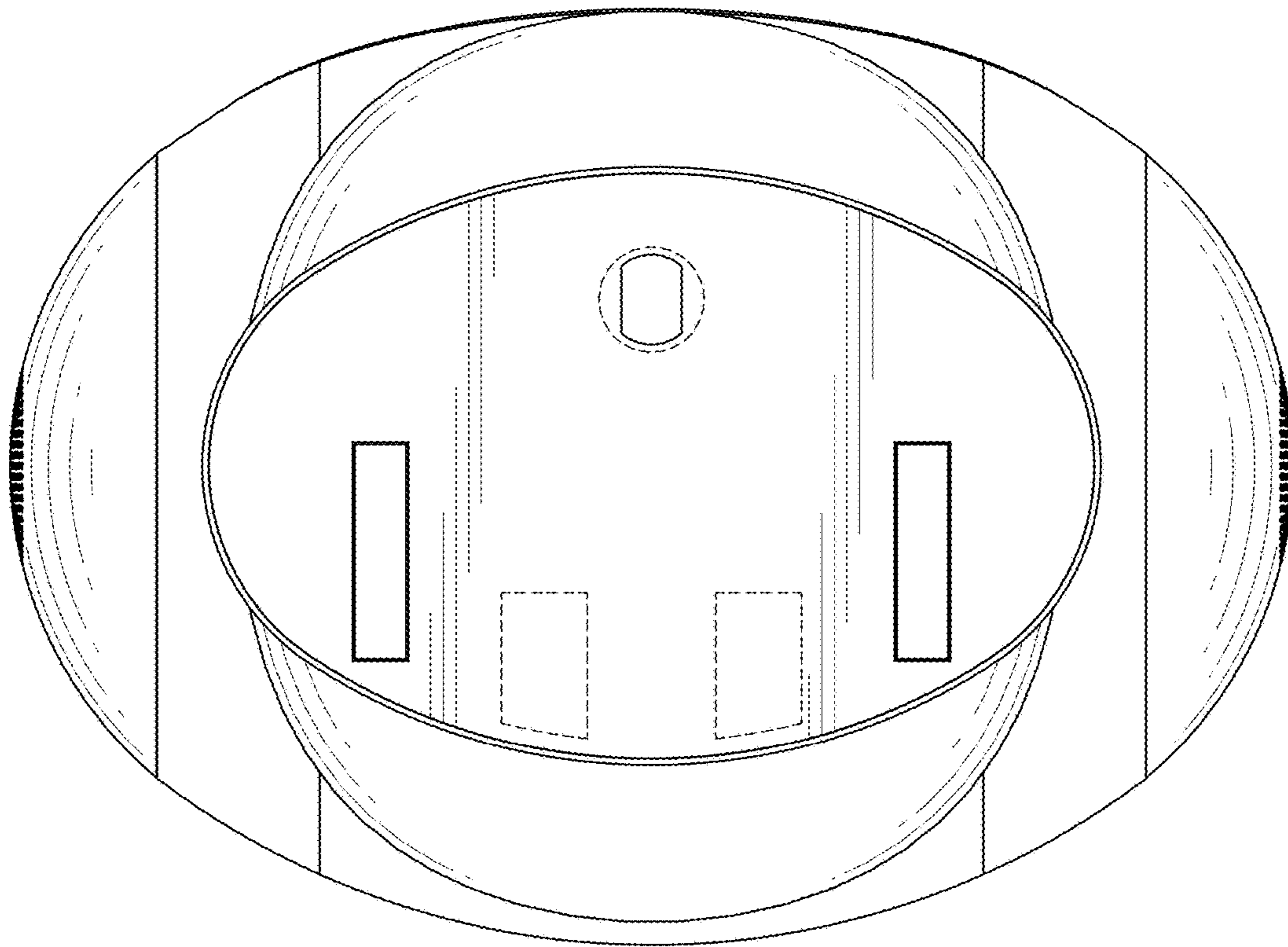


FIG. 7