



US00D817373S

(12) **United States Design Patent** (10) **Patent No.:** **US D817,373 S**
Goos et al. (45) **Date of Patent:** **** May 8, 2018**

(54) **GEARBOX**
(71) Applicant: **SEW-EURODRIVE GmbH & Co KG, Bruchsal (DE)**
(72) Inventors: **Jürgen Goos, Speyer (DE); Markus Wöppermann, Karlsbad (DE); Jörg Hermes, Bruchsal (DE)**
(73) Assignee: **SEW-EURODRIVE GmbH & Co KG, Bruchsal (DE)**

D598,938 S * 8/2009 Mijno D15/148
D618,262 S * 6/2010 Siegfried D15/148
D618,263 S * 6/2010 Siegfried D15/148
D619,631 S * 7/2010 Otsuka D15/149
D703,253 S * 4/2014 Lannoch D15/148
D704,756 S * 5/2014 Voelker D15/148
D777,815 S * 1/2017 Ebner D15/148
D797,173 S * 9/2017 Ebner D15/148
2004/0166986 A1 * 8/2004 Bayer F16H 1/28
475/331
2006/0096412 A1 * 5/2006 Wittenstein F16H 1/28
74/606 R

(**) Term: **15 Years**

(21) Appl. No.: **29/600,438**

(22) Filed: **Apr. 12, 2017**

(30) **Foreign Application Priority Data**

Oct. 14, 2016 (DE) 40 2016 001 460

(51) **LOC (11) Cl.** **15-99**

(52) **U.S. Cl.**
USPC **D15/148**

(58) **Field of Classification Search**
USPC D15/148, 149; D12/180; 74/640;
92/71; 192/38, 223.2; 475/331
CPC F16C 41/07; F16C 41/061-41/064; F16C
41/066; F16C 41/067; F16C 41/105;
F16H 1/28; F16H 1/46; F16H 49/001;
F16H 57/029; F16H 57/033; F16H
57/0482; F16H 57/082
See application file for complete search history.

(56) **References Cited**

U.S. PATENT DOCUMENTS

D479,541 S * 9/2003 Lannoch D15/148
D497,374 S * 10/2004 Wittenstein D15/148
D514,607 S * 2/2006 Wittenstein D15/148

OTHER PUBLICATIONS

“Machine Design.” Found online Jan. 26, 2018 at www.machinedesign.com. Page dated Apr. 9, 2013. Retrieved from URL: <http://www.machinedesign.com/print/27247> (Year: 2013).*

(Continued)

Primary Examiner — Caron D Veynar
Assistant Examiner — Katelin G Kloberg
(74) *Attorney, Agent, or Firm* — Finnegan, Henderson, Farabow, Garrett & Dunner, LLP

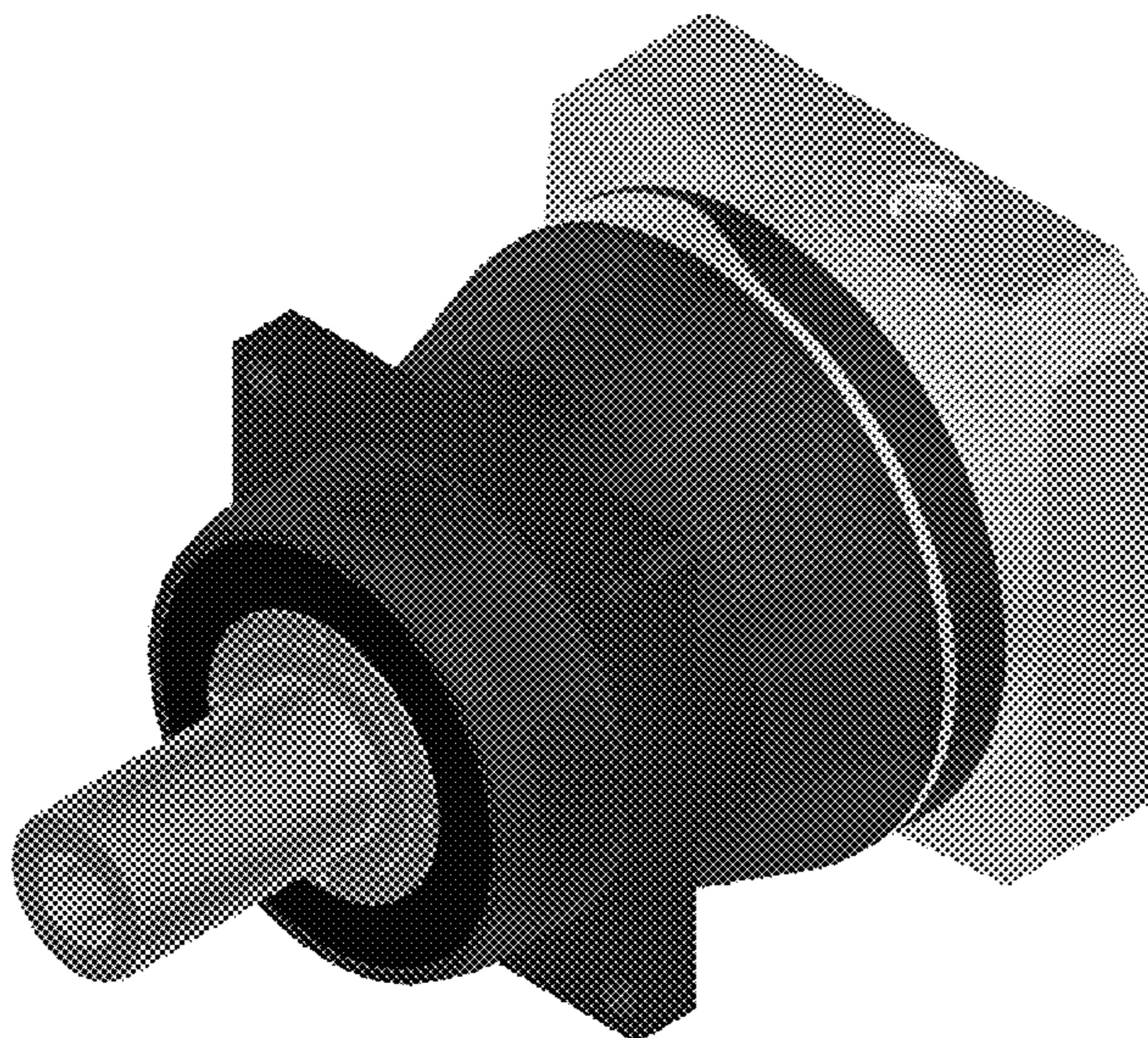
(57) **CLAIM**

The ornamental design for a gearbox, as shown and described.

DESCRIPTION

FIG. 1 is a top, front, right perspective view of a gearbox, showing our new design;
FIG. 2 is a front elevation view thereof;
FIG. 3 is a rear elevation view thereof;
FIG. 4 is a left side elevation view thereof;
FIG. 5 is a right side elevation view thereof;
FIG. 6 is a top plan view thereof; and,
FIG. 7 is a bottom plan view thereof.

1 Claim, 7 Drawing Sheets



(56)

References Cited

OTHER PUBLICATIONS

“Lenze.” Found online Jan. 26, 2018 at www.actechdrives.com. Page dated Apr. 17, 2016. Retrieved from URL: <http://www.actechdrives.com/Lenze-MPR-MPG-Planetary-Gearbox.htm> (Year: 2016).*

“Kojin Precision Industry Co. Ltd.” Found online Jan. 26, 2018 at www.asianproducts.com. Image dated May 3, 2015. Retrieved from URL: https://tineye.com/search/73789f5cc605c7898533ad4503454eb897babcb7/?extension_ver=chrome-1.2.0 (Year: 2015).*

* cited by examiner

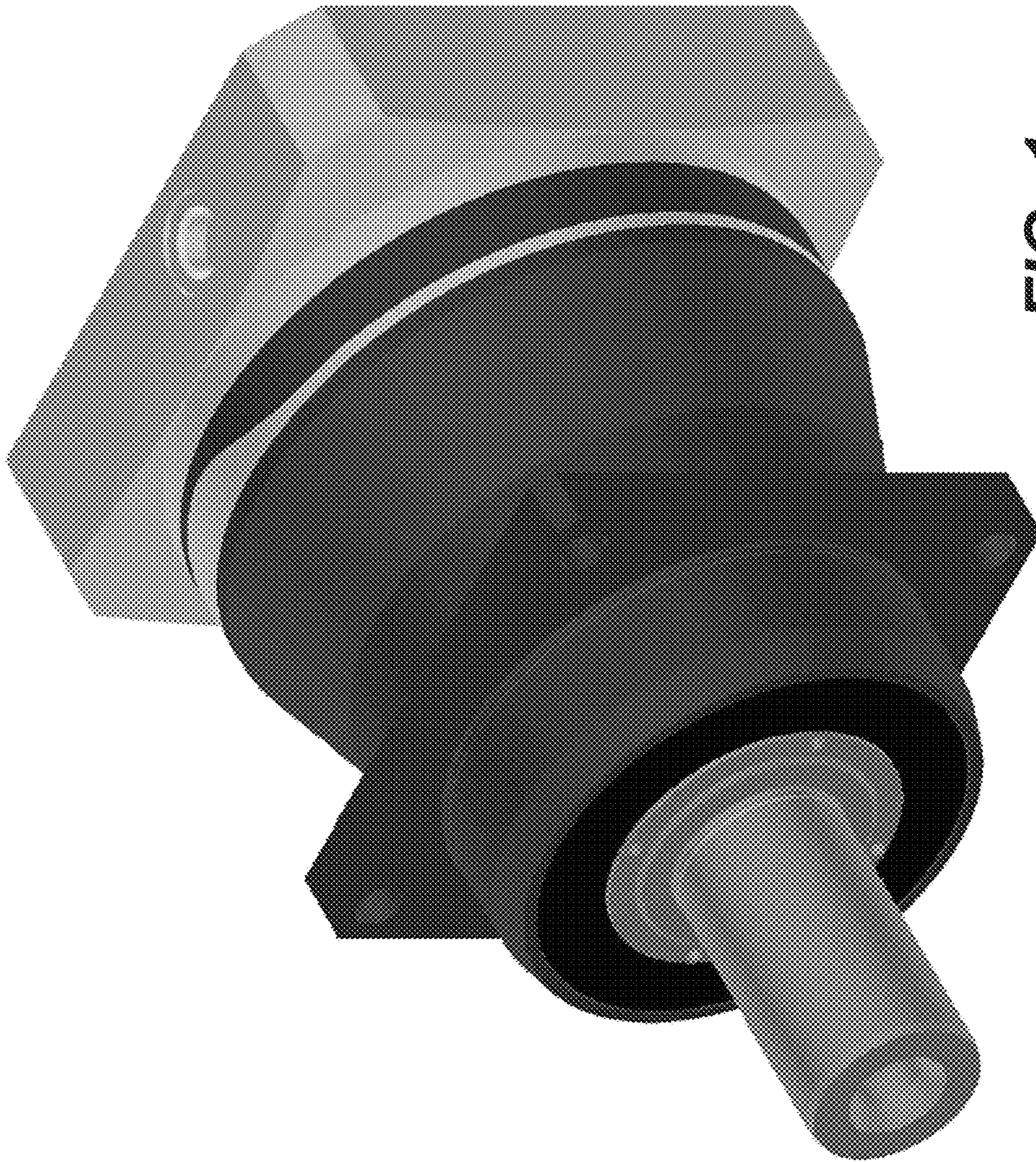


FIG. 1

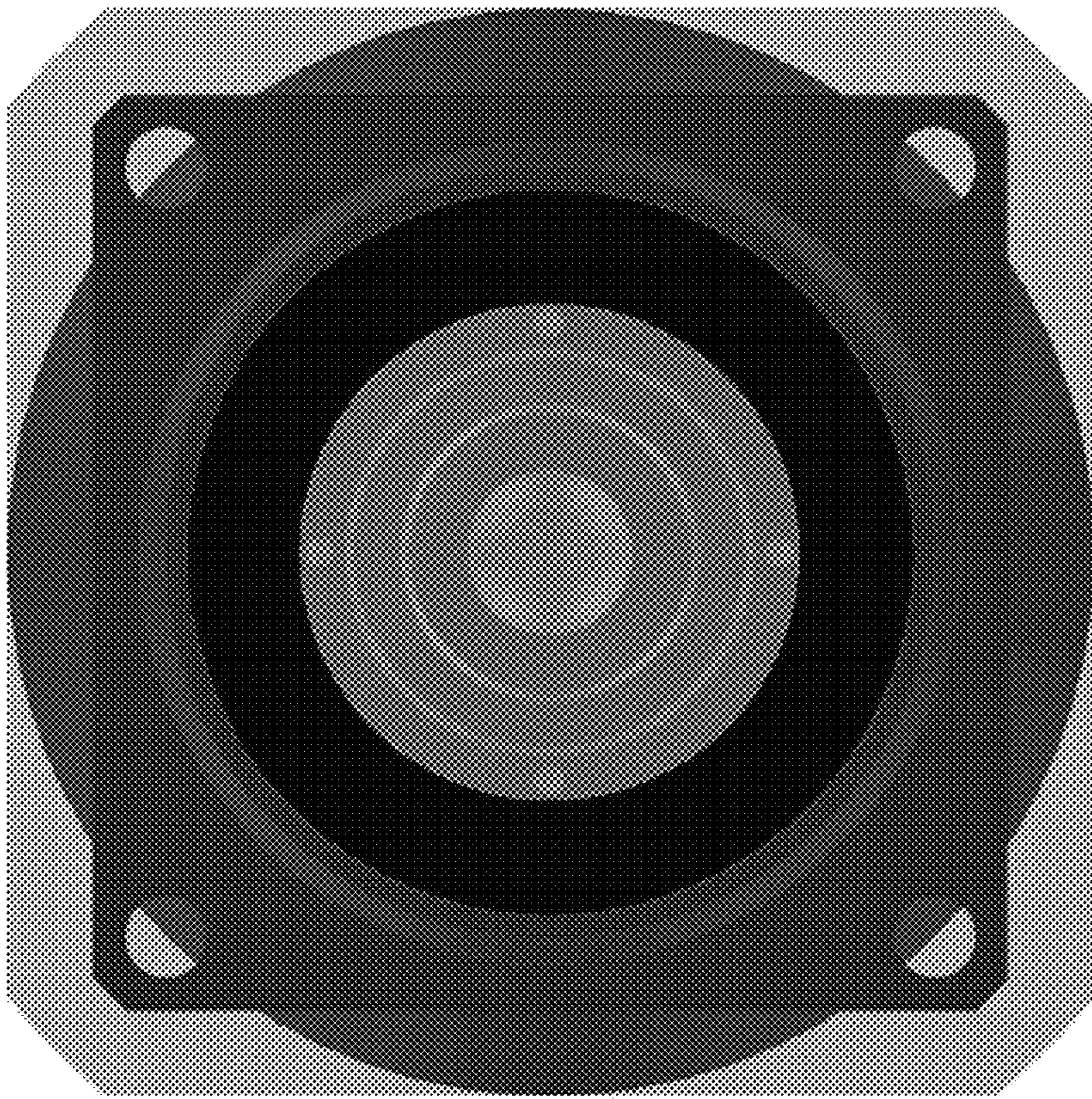


FIG. 2

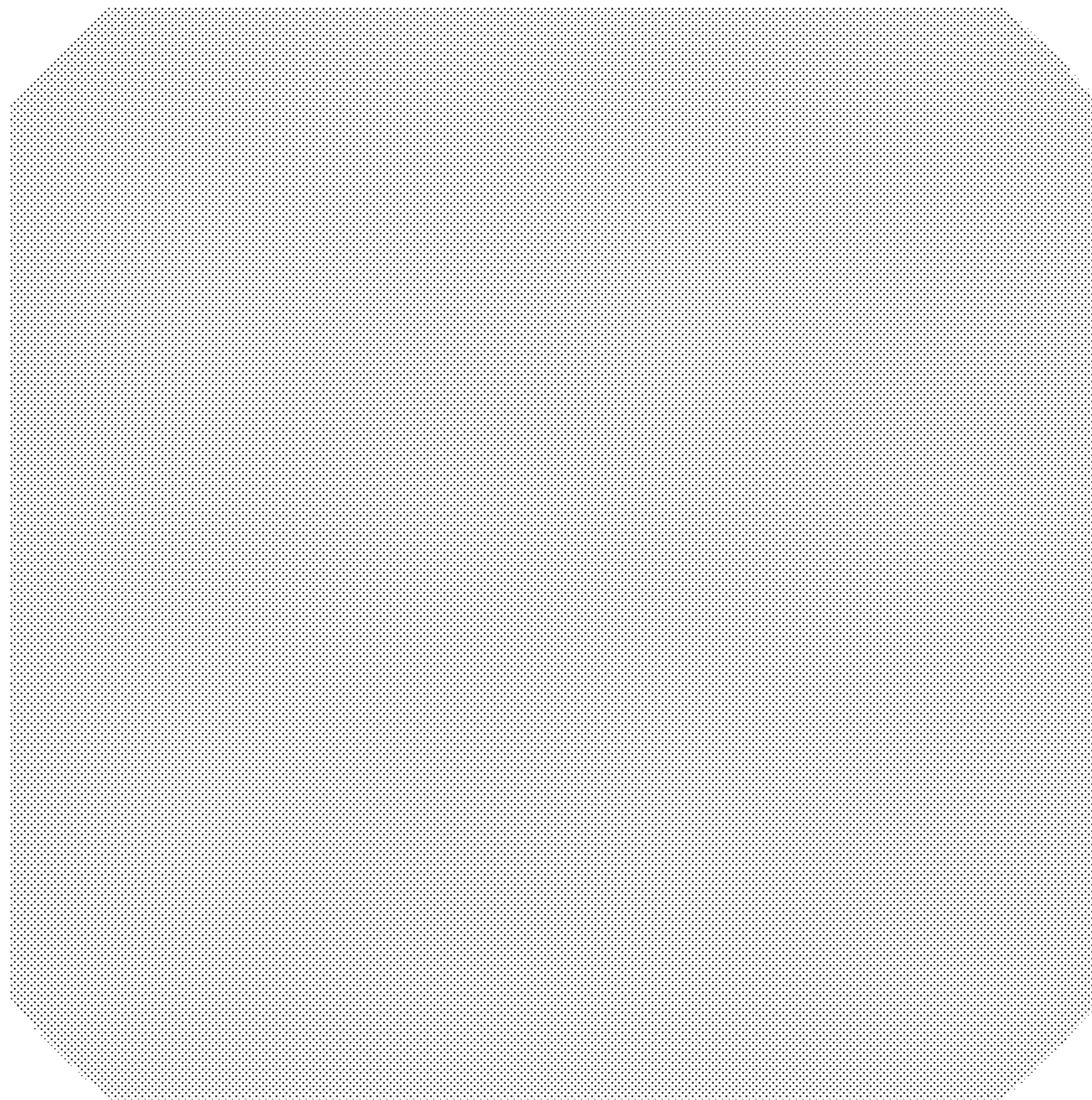


FIG. 3



FIG. 4



FIG. 5



FIG. 6



FIG. 7