



US00D817367S

(12) **United States Design Patent** (10) **Patent No.:** **US D817,367 S**
Kim (45) **Date of Patent:** **** May 8, 2018**

(54) **REFRIGERATOR**

D577,373 S * 9/2008 Crookshanks D15/91
D642,600 S * 8/2011 Kristiansen D15/86
D646,308 S * 10/2011 Kristiansen D15/91

(71) Applicant: **LG ELECTRONICS INC.**, Seoul (KR)

(Continued)

(72) Inventor: **Miok Kim**, Seoul (KR)

Primary Examiner — Richard E Chilcot

(73) Assignee: **LG Electronics Inc.**, Seoul (KR)

(74) *Attorney, Agent, or Firm* — Birch, Stewart, Kolasch & Birch, LLP

(**) Term: **15 Years**

(57) **CLAIM**

(21) Appl. No.: **35/501,627**

The ornamental design for a refrigerator, as shown and described.

(22) Filed: **Mar. 31, 2016**

DESCRIPTION

(80) **Hague Agreement Data**

Int. Filing Date: **Mar. 31, 2016**
Int. Reg. No.: **DM/091118**
Int. Reg. Date: **Mar. 31, 2016**
Int. Reg. Pub. Date: **Sep. 30, 2016**

1. Refrigerator
1.1 is a perspective view of a refrigerator showing our new design;
1.2 is a front elevation view thereof;
1.3 is a rear elevation view thereof;
1.4 is a left-side elevation view thereof;
1.5 is a right-side elevation view thereof;
1.6 is a top plan view thereof;
1.7 is a bottom plan view thereof;
1.8 is a perspective view thereof, wherein the outer door is in an opened position;
1.9 is a front view thereof, wherein the outer door is in an opened position;
1.10 is a right-side view thereof, wherein the outer door is in an opened position;
1.11 is a top plan view thereof, wherein the outer door is in an opened position;
1.12 is a perspective view thereof, wherein each of the inner and outer doors is in an opened position;
1.13 is a front view thereof, wherein each of the inner and outer doors is in an opened position;
1.14 is a right-side view thereof, wherein each of the inner and outer doors is in an opened position;
1.15 is a top plan view thereof, wherein each of the inner and outer doors is in an opened position; and
1.16 is a perspective view thereof, wherein the inside of the door is seen through a 'see-through' type of window.

(30) **Foreign Application Priority Data**

Oct. 8, 2015 (KR) 30-2015-0050857

(51) **LOC (11) Cl.** **15-07**

(52) **U.S. Cl.**

USPC **D15/91**
CPC **F25D 23/00** (2013.01)

(58) **Field of Classification Search**

USPC D15/79-91
CPC F25D 23/00; F25D 2323/021; F25D 11/00;
F25D 2323/024; F25D 23/04; F25D
25/024; F25D 27/005; F25D 23/12; F25D
29/005; F25D 17/042; F25D 2325/021

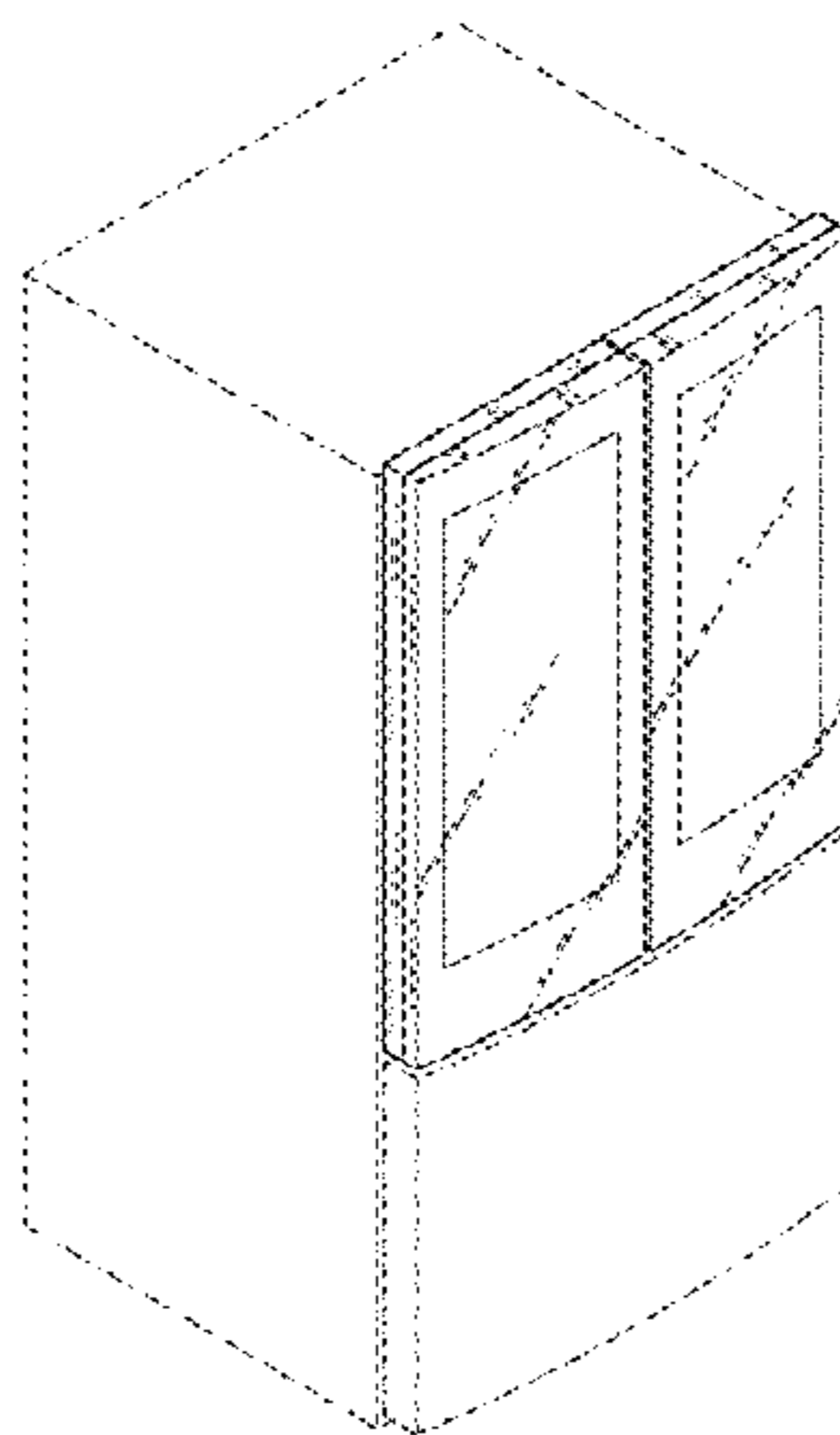
See application file for complete search history.

(56) **References Cited**

U.S. PATENT DOCUMENTS

D518,077 S * 3/2006 Lee D15/91
D553,167 S * 10/2007 Busalt D15/91
D562,362 S * 2/2008 Bissig D15/91
D567,262 S * 4/2008 Crookshanks D15/91

(Continued)



The broken line showing of the refrigerator is included for the purpose of illustrating environment and forms no part of the claimed design.

1 Claim, 15 Drawing Sheets

(56)

References Cited

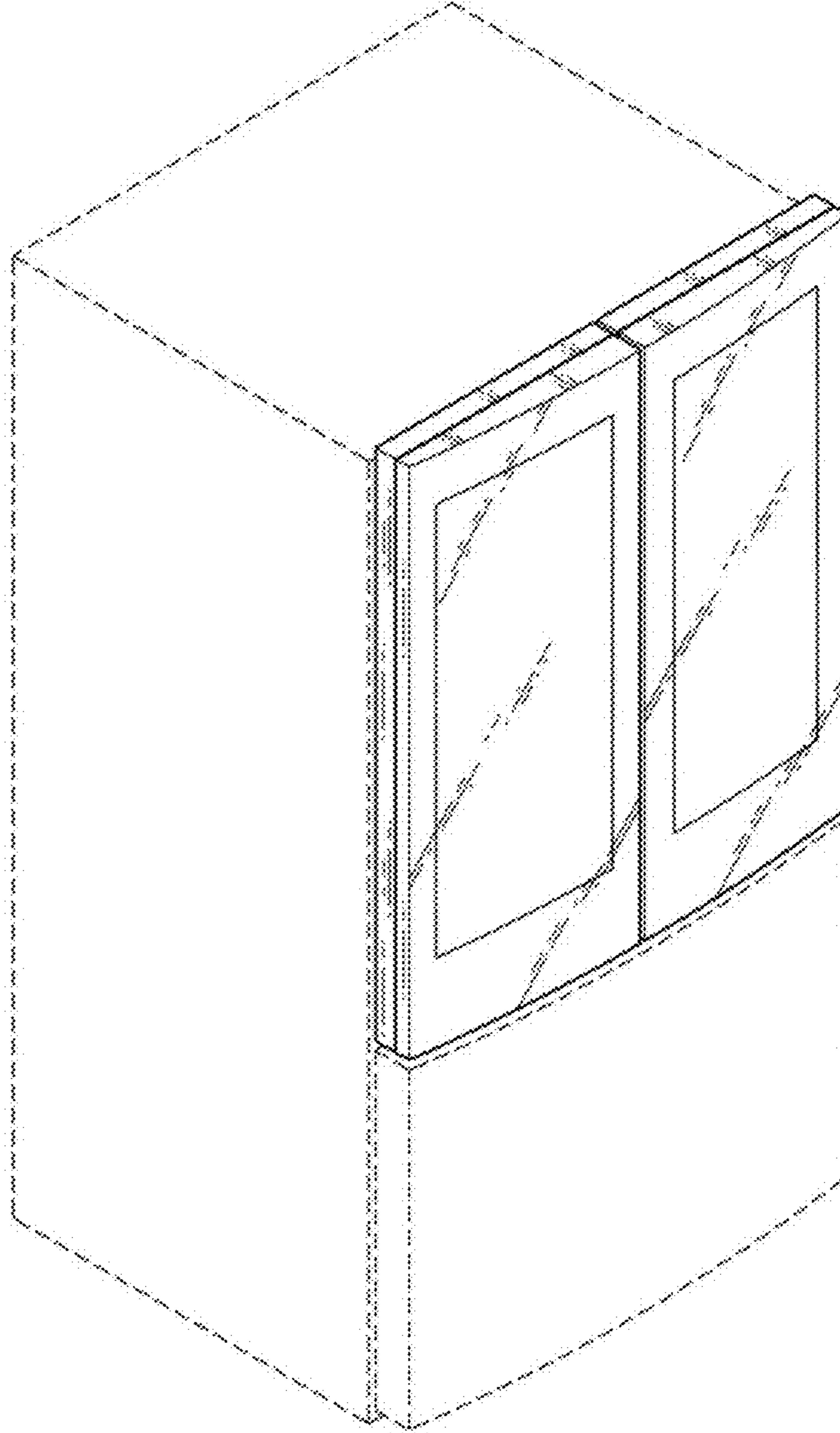
U.S. PATENT DOCUMENTS

D674,416	S	*	1/2013	Seo	D15/86
D680,138	S	*	4/2013	Seo	D15/86
D681,695	S	*	5/2013	Lee	D15/86
D684,609	S	*	6/2013	Seo	D15/86
D686,254	S	*	7/2013	Wang	D15/91
D689,104	S	*	9/2013	Yang	D15/91
D706,315	S	*	6/2014	Seo	D15/89
D707,734	S	*	6/2014	Seo	D15/86
D709,925	S	*	7/2014	Seo	D15/89
D710,403	S	*	8/2014	Seo	D15/89
D713,862	S	*	9/2014	Lee	D15/86
D714,360	S	*	9/2014	Seo	D15/85
D714,361	S	*	9/2014	Seo	D15/86
D722,624	S	*	2/2015	Cho	D15/89
D722,625	S	*	2/2015	Cho	D15/89
D723,595	S	*	3/2015	You	D15/91
D724,113	S	*	3/2015	Seo	D15/85
D730,958	S	*	6/2015	Choi	D15/91
D742,431	S	*	11/2015	Seo	D15/86
D742,437	S	*	11/2015	Choi	D15/91
D742,438	S	*	11/2015	Jeon	D15/91
D744,551	S	*	12/2015	Park	D15/91

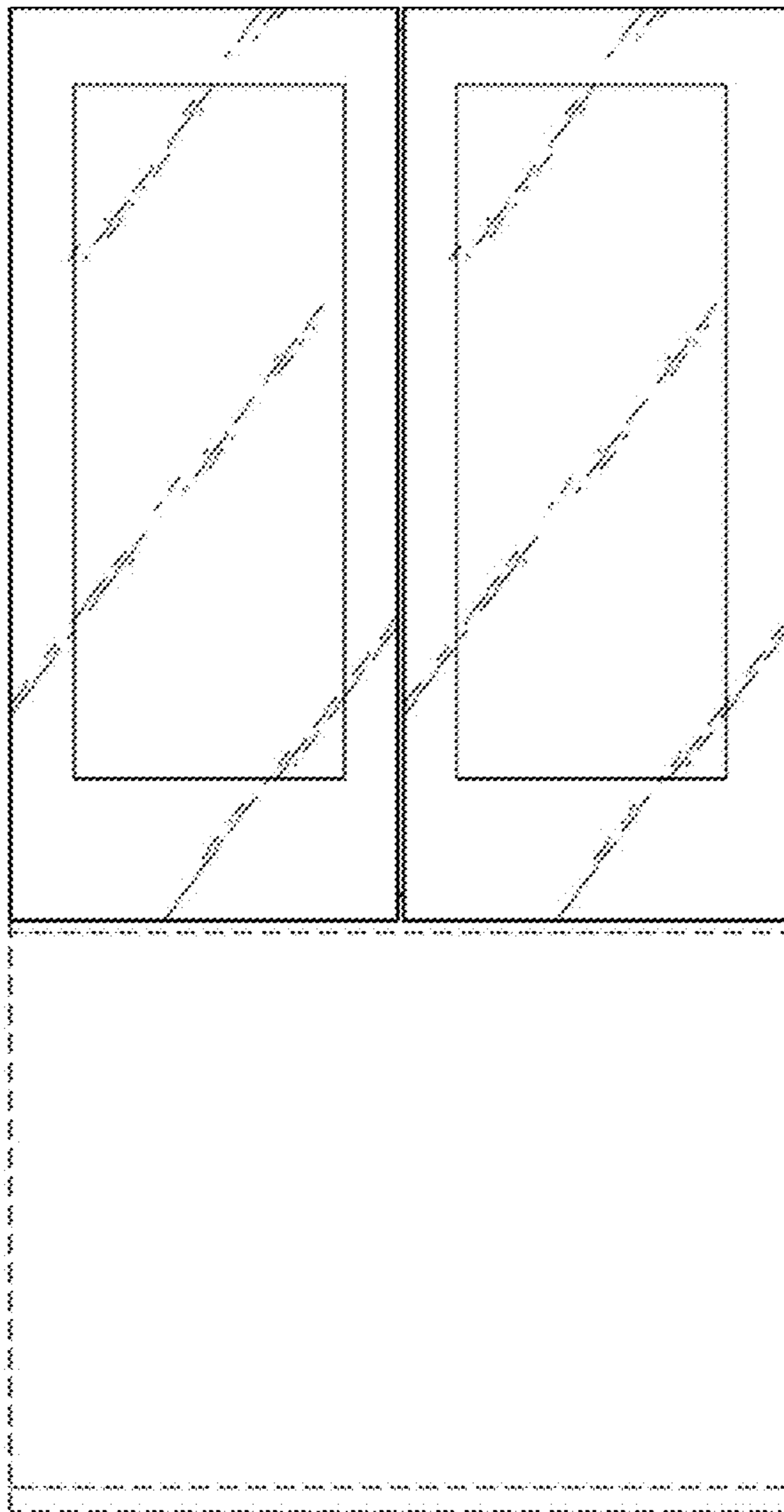
D747,368	S	*	1/2016	Kim	D15/85
D757,131	S	*	5/2016	Lee	D15/91
D759,132	S	*	6/2016	Kwon	D15/91
D760,819	S	*	7/2016	Lee	D15/86
D760,820	S	*	7/2016	Lee	D15/91
D760,821	S	*	7/2016	Lee	D15/91
D760,822	S	*	7/2016	Lee	D15/91
D760,823	S	*	7/2016	Lee	D15/91
D760,824	S	*	7/2016	Lee	D15/91
D761,333	S	*	7/2016	Lee	D15/86
D761,334	S	*	7/2016	Lee	D15/86
D761,336	S	*	7/2016	Lee	D15/91
D761,887	S	*	7/2016	Seo	D15/89
D762,249	S	*	7/2016	Kim	D15/86
D763,329	S	*	8/2016	Seo	D15/89
D765,151	S	*	8/2016	Park	D15/81
D766,344	S	*	9/2016	Kim	D15/86
D767,648	S	*	9/2016	Shoemaker	D15/86
D768,738	S	*	10/2016	Lee	D15/91
D768,739	S	*	10/2016	Lee	D15/91
D775,674	S	*	1/2017	Seo	D15/86
D776,173	S	*	1/2017	Kim	D15/91
D787,566	S	*	5/2017	Seo	D15/85
D787,572	S	*	5/2017	Seo	D15/91
D788,187	S	*	5/2017	Kim	D15/84
D788,188	S	*	5/2017	Seo	D15/86
D788,193	S	*	5/2017	Seo	D15/91
D788,194	S	*	5/2017	Kwak	D15/91
D788,828	S	*	6/2017	Seo	D15/86
2010/0242526	A1	*	9/2010	Junge	F25C 5/005 62/449
2014/0117830	A1	*	5/2014	Lee	F25D 25/025 312/402

* cited by examiner

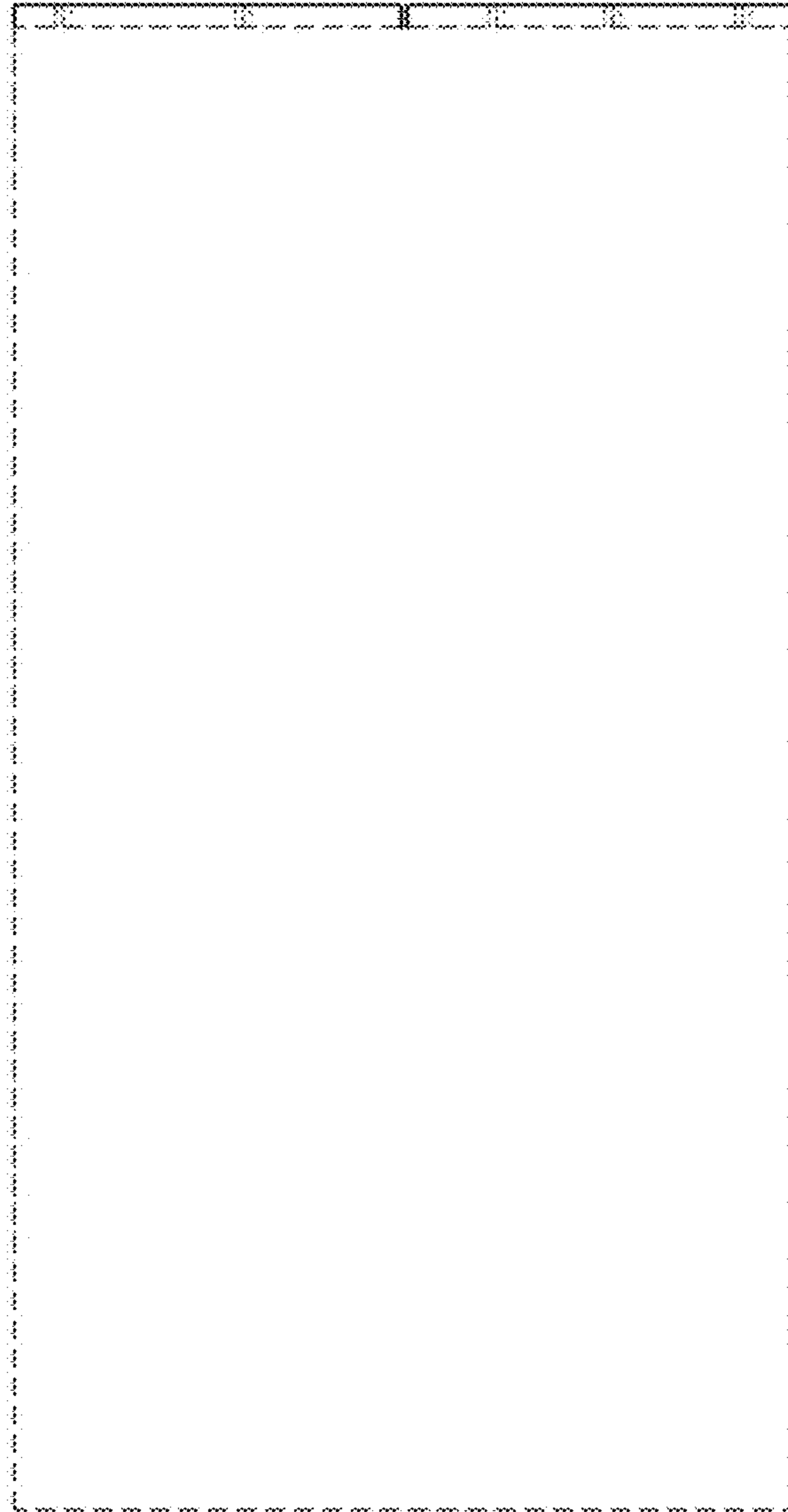
1.1



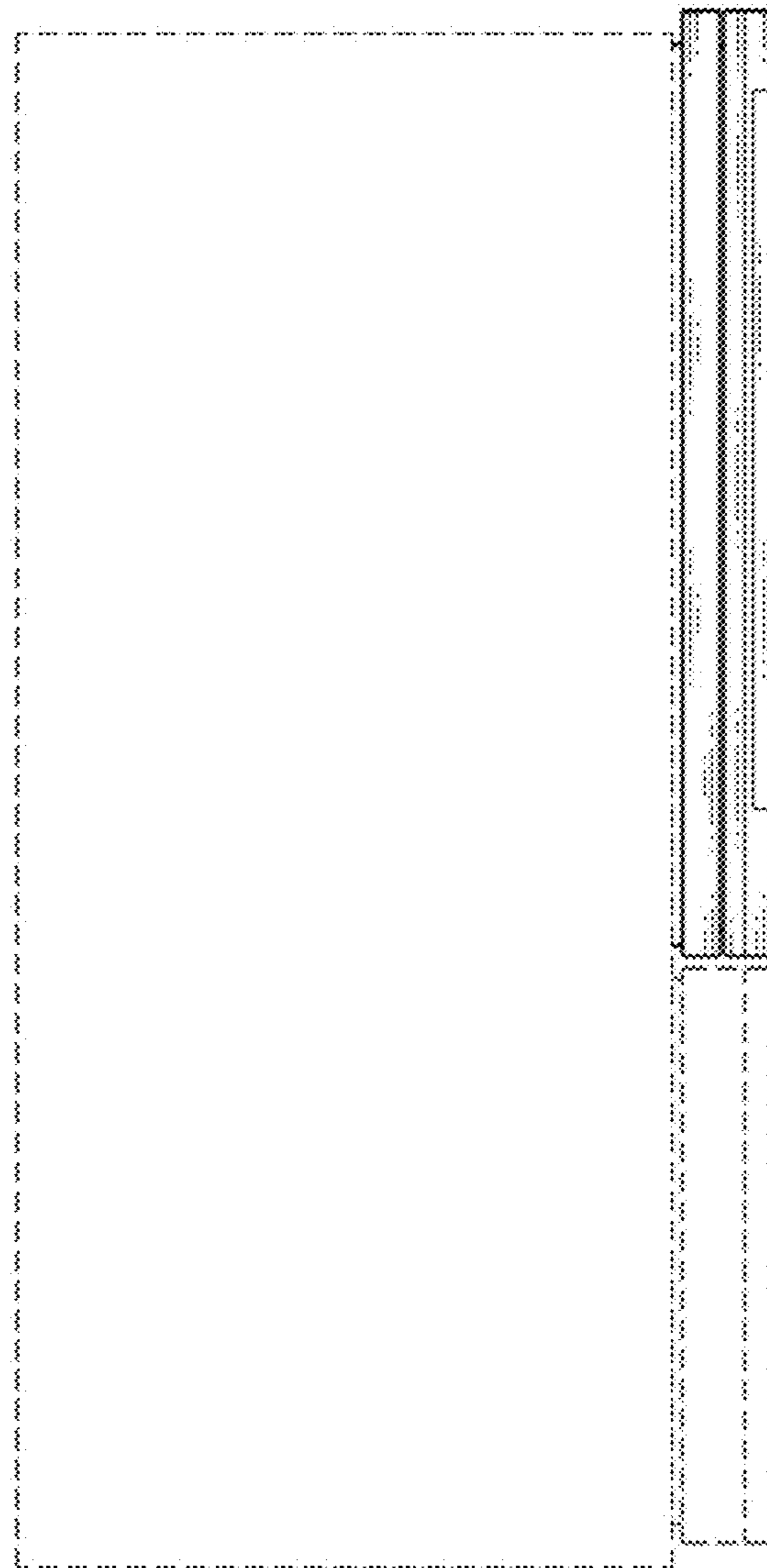
1.2



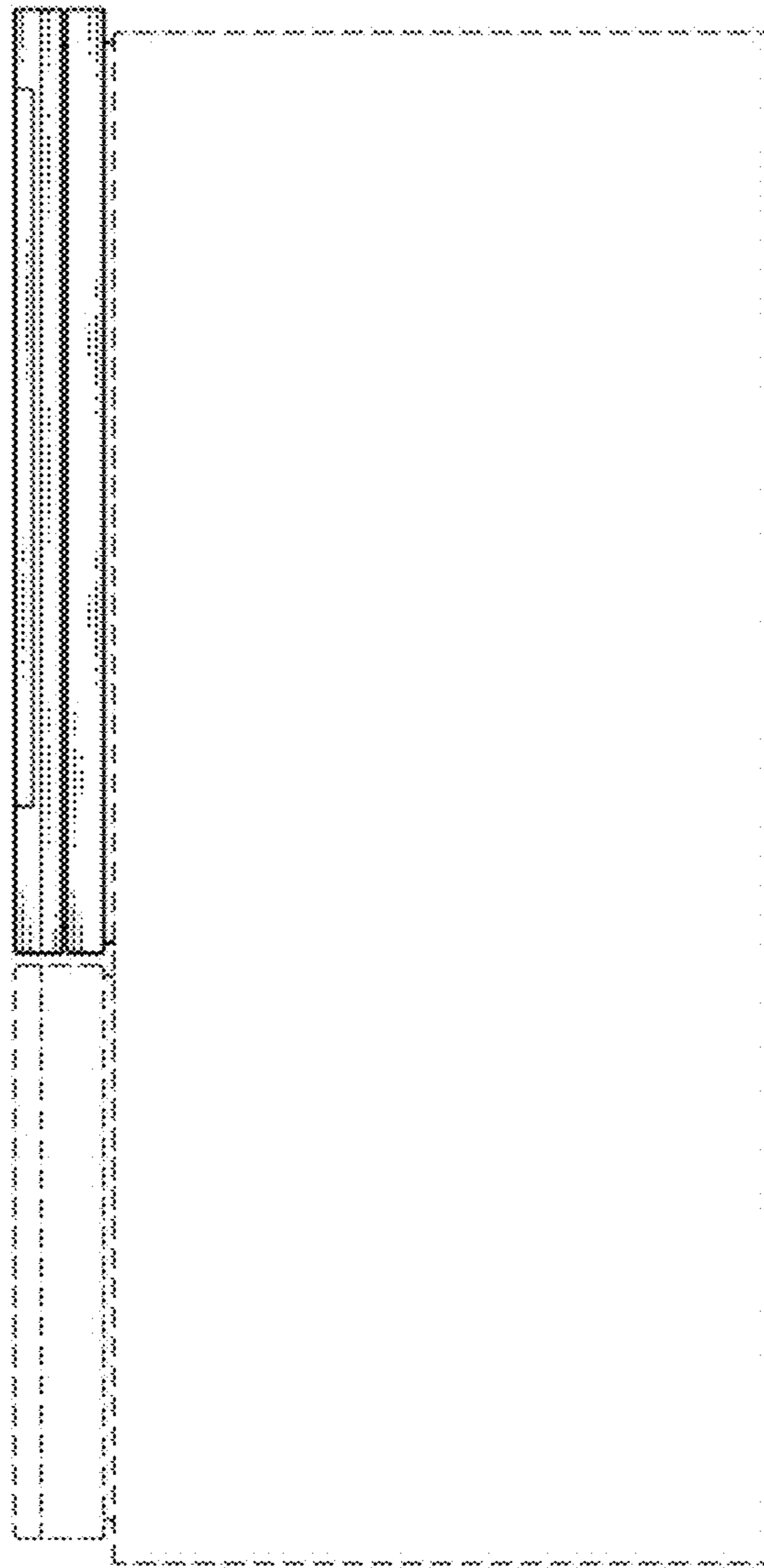
1.3



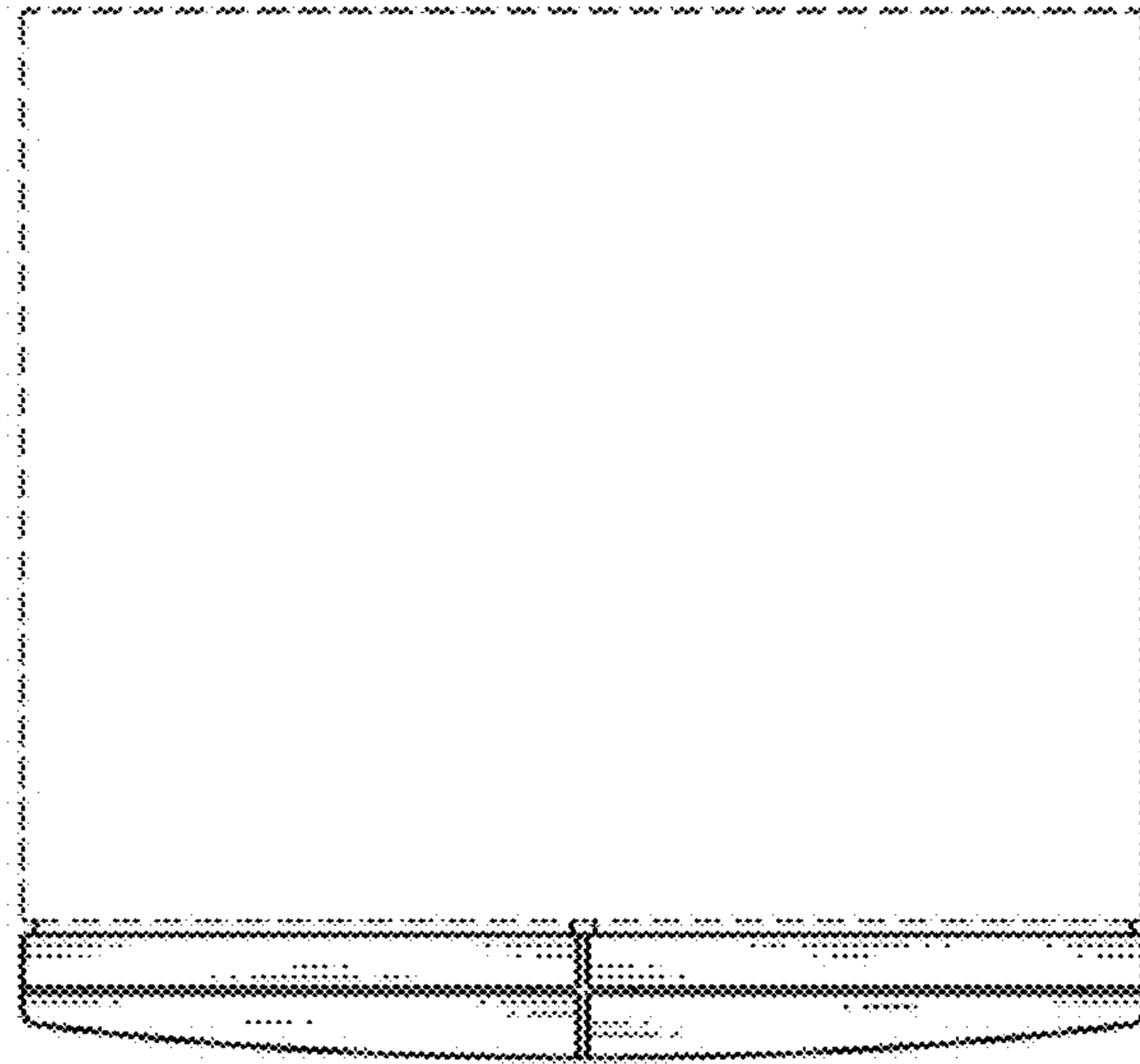
1.4



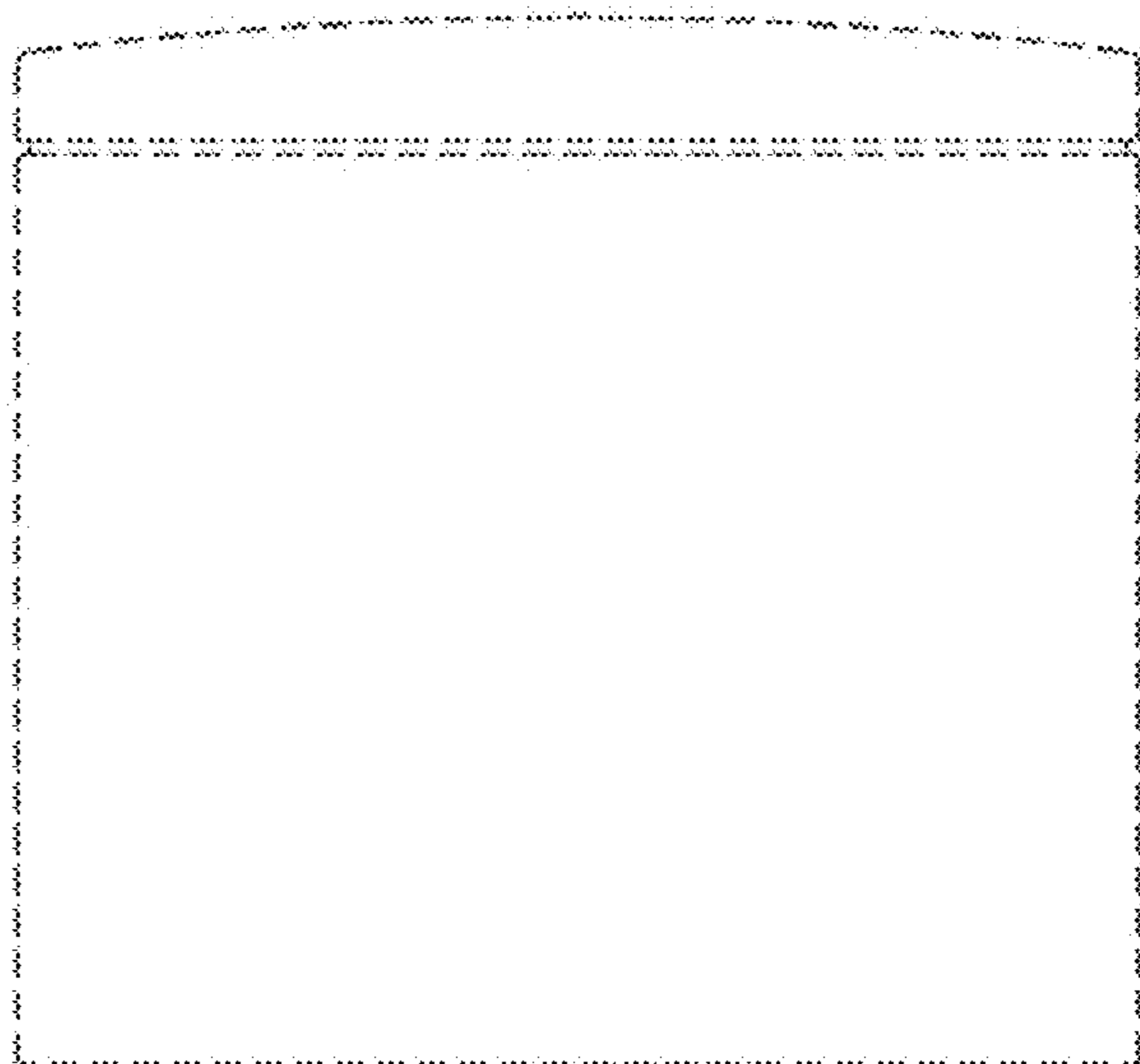
1.5



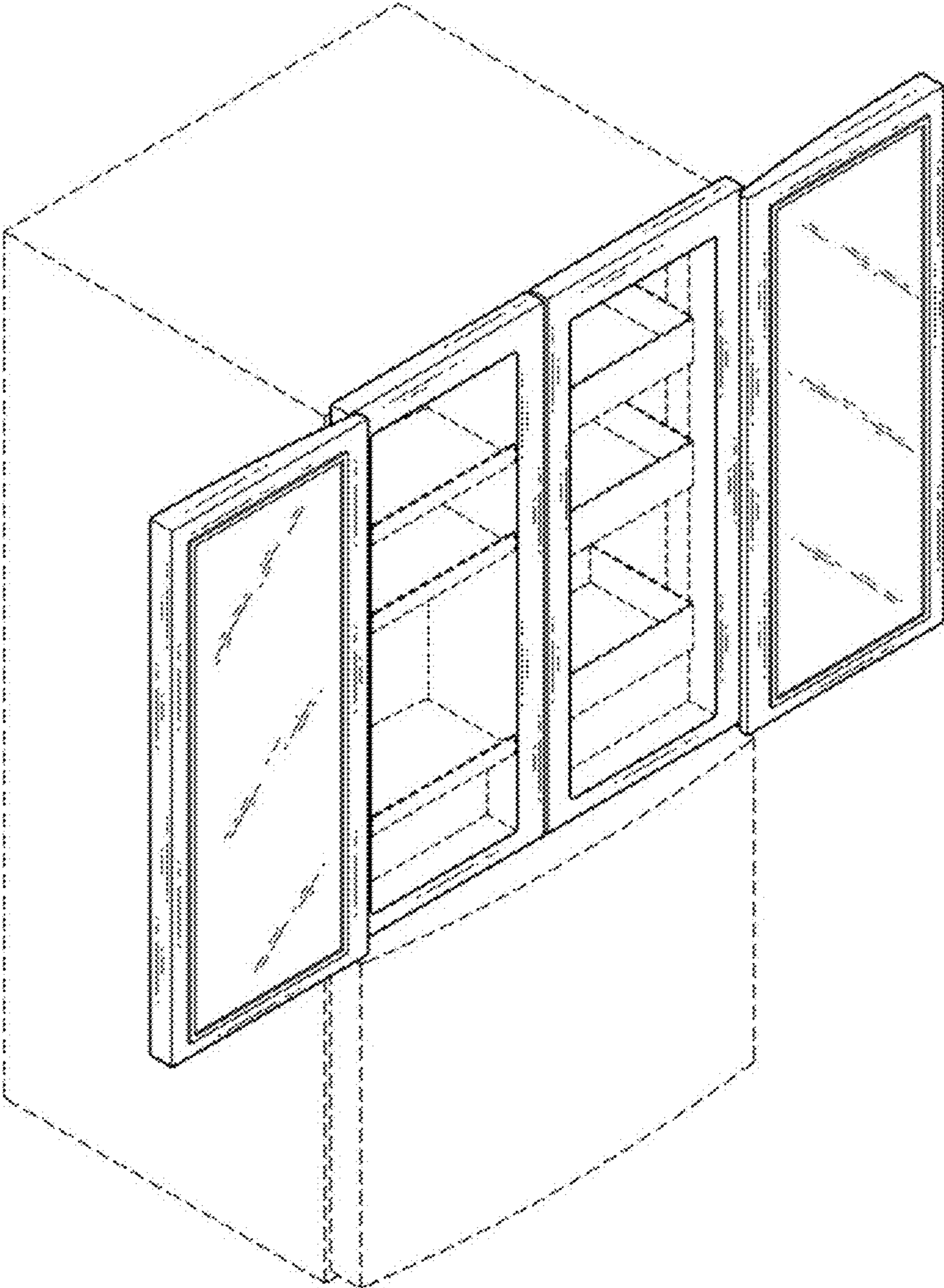
1.6



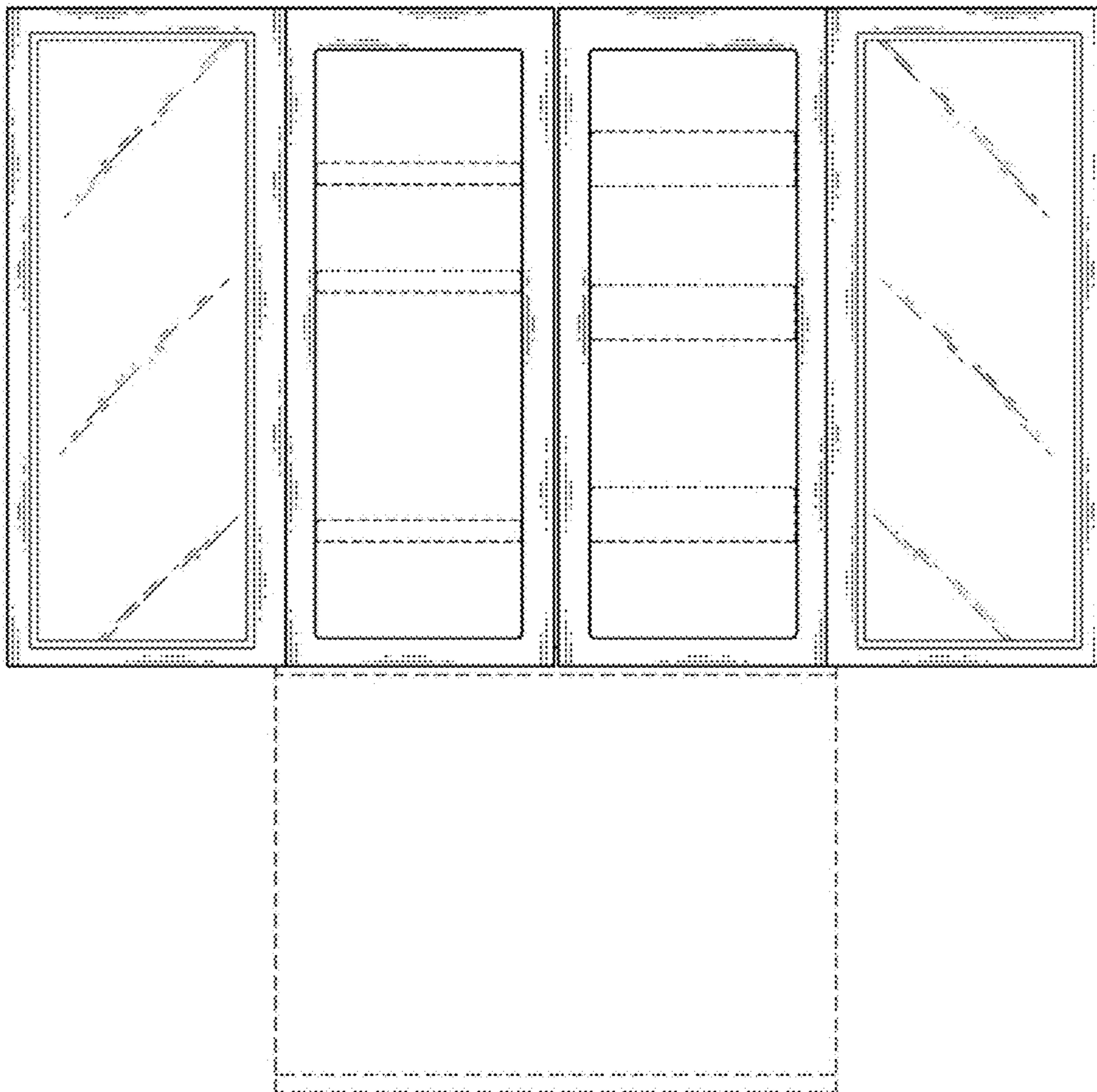
1.7



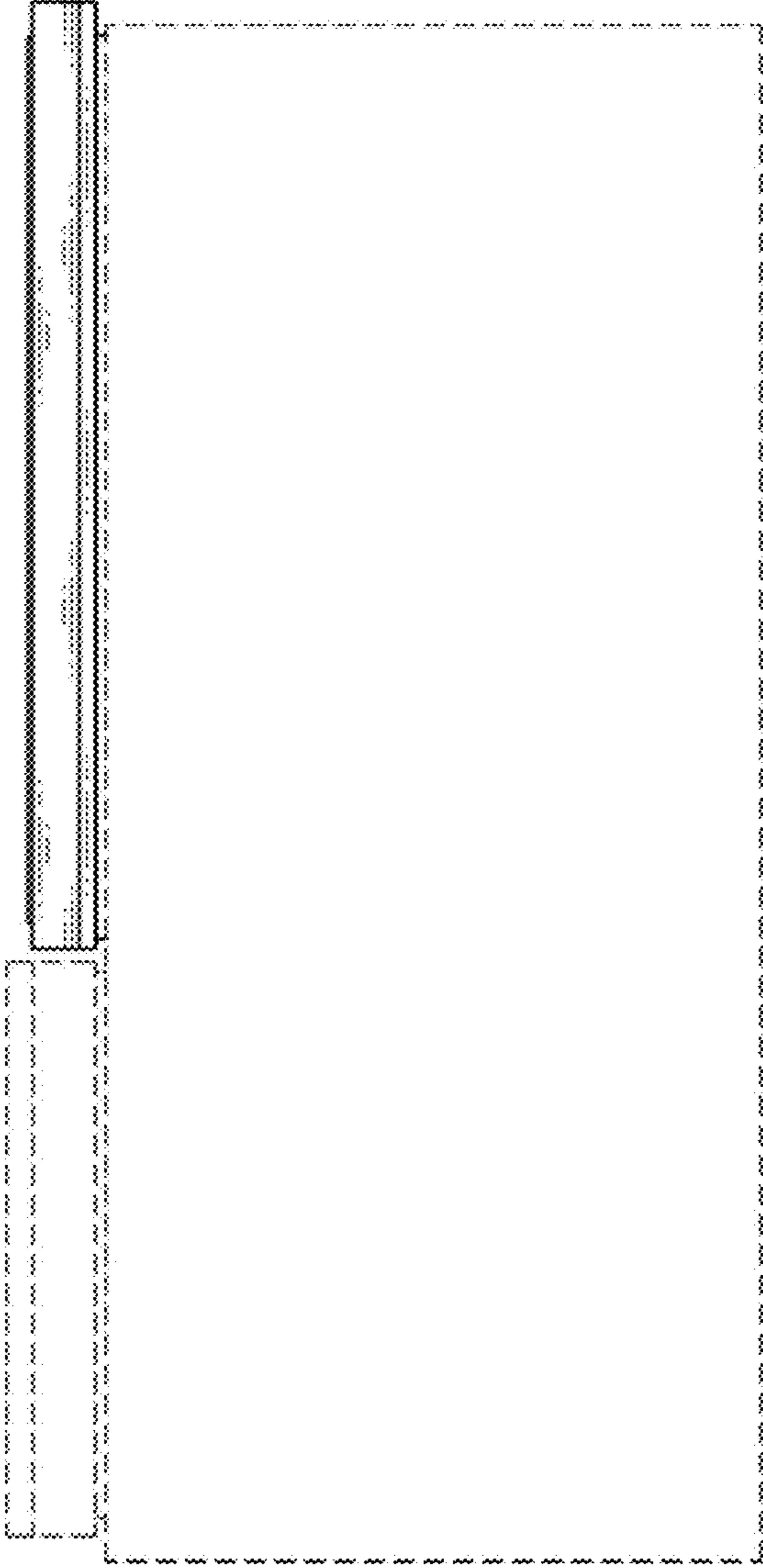
1.8



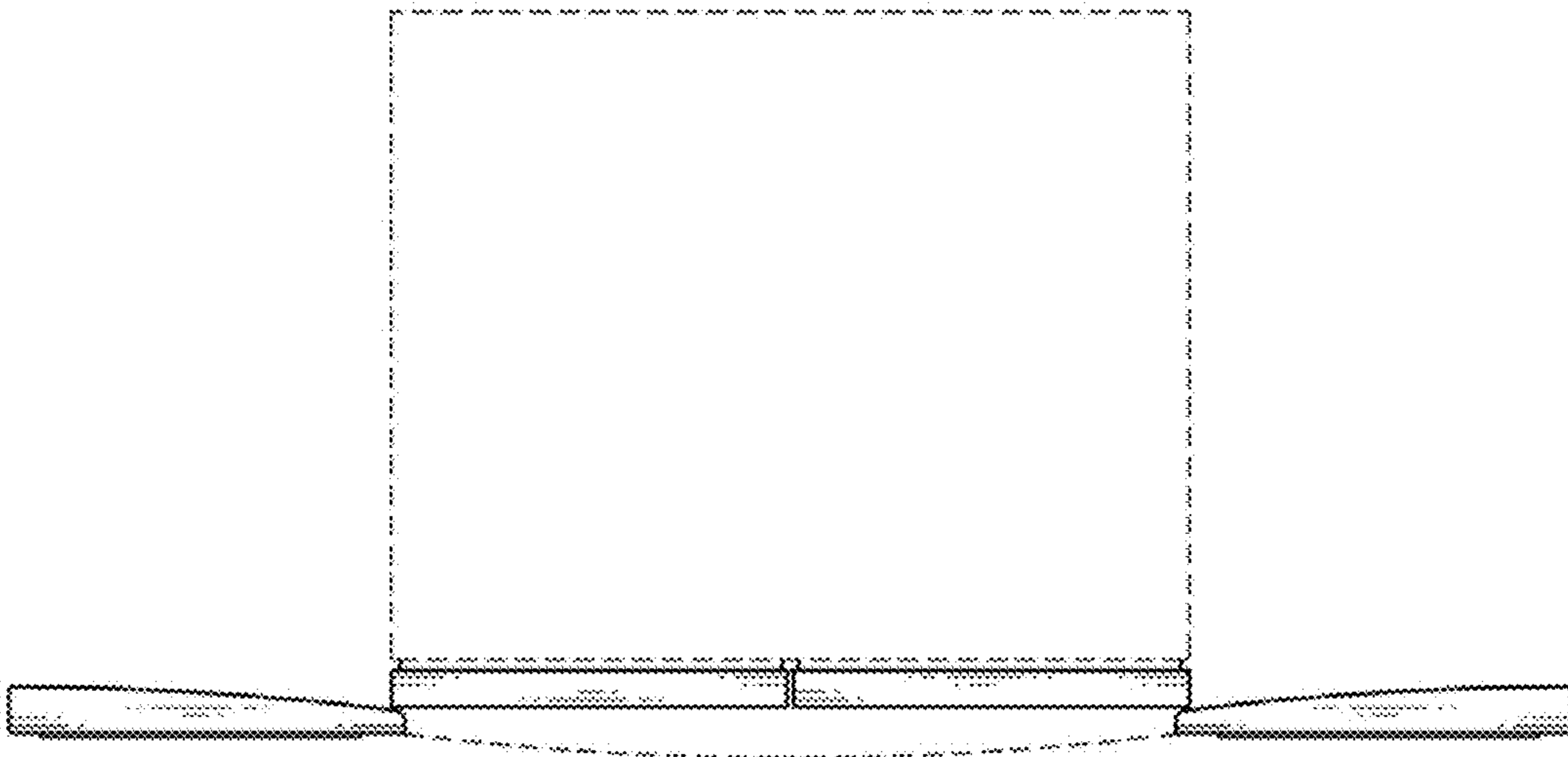
1.9



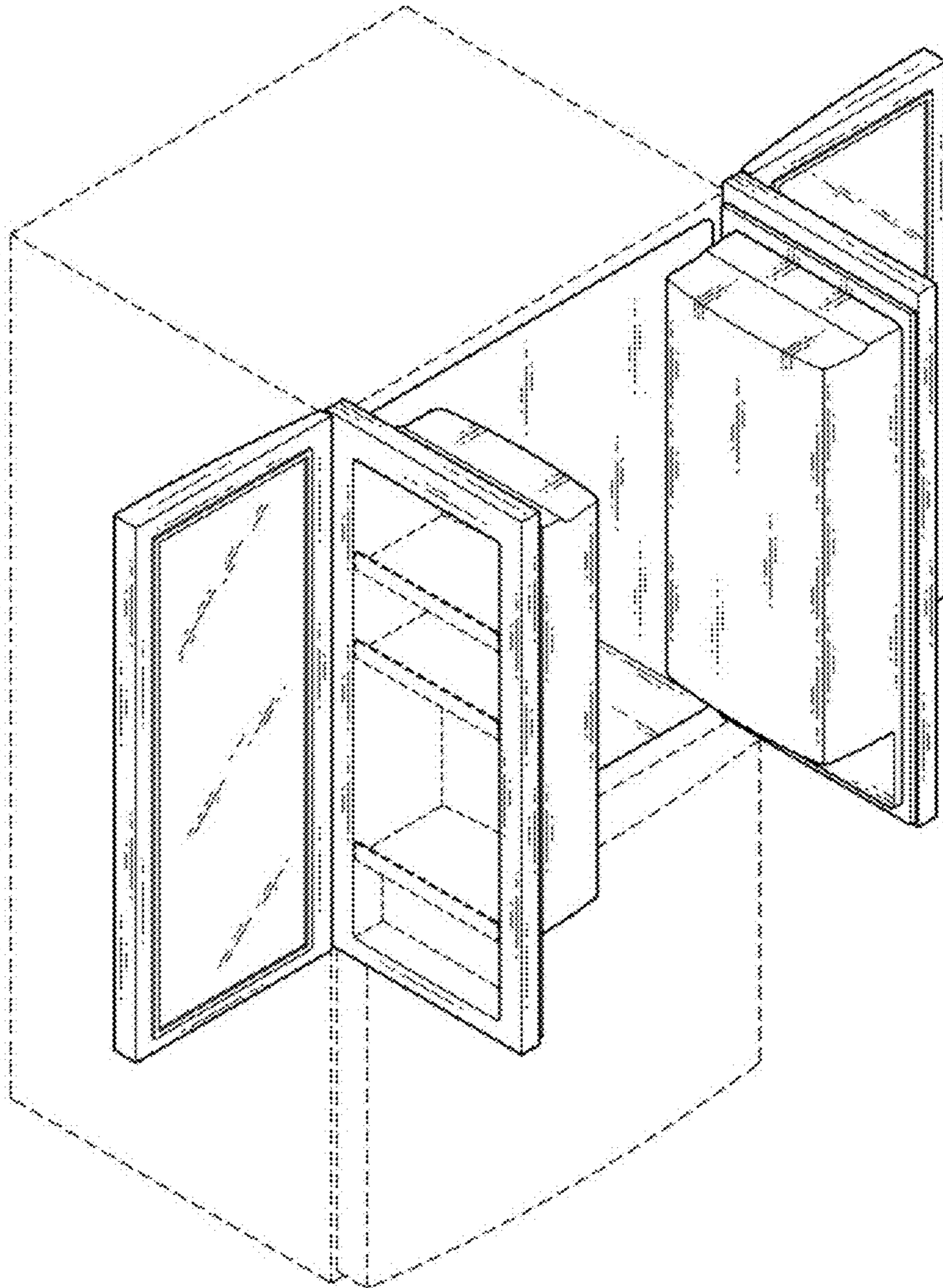
1.10



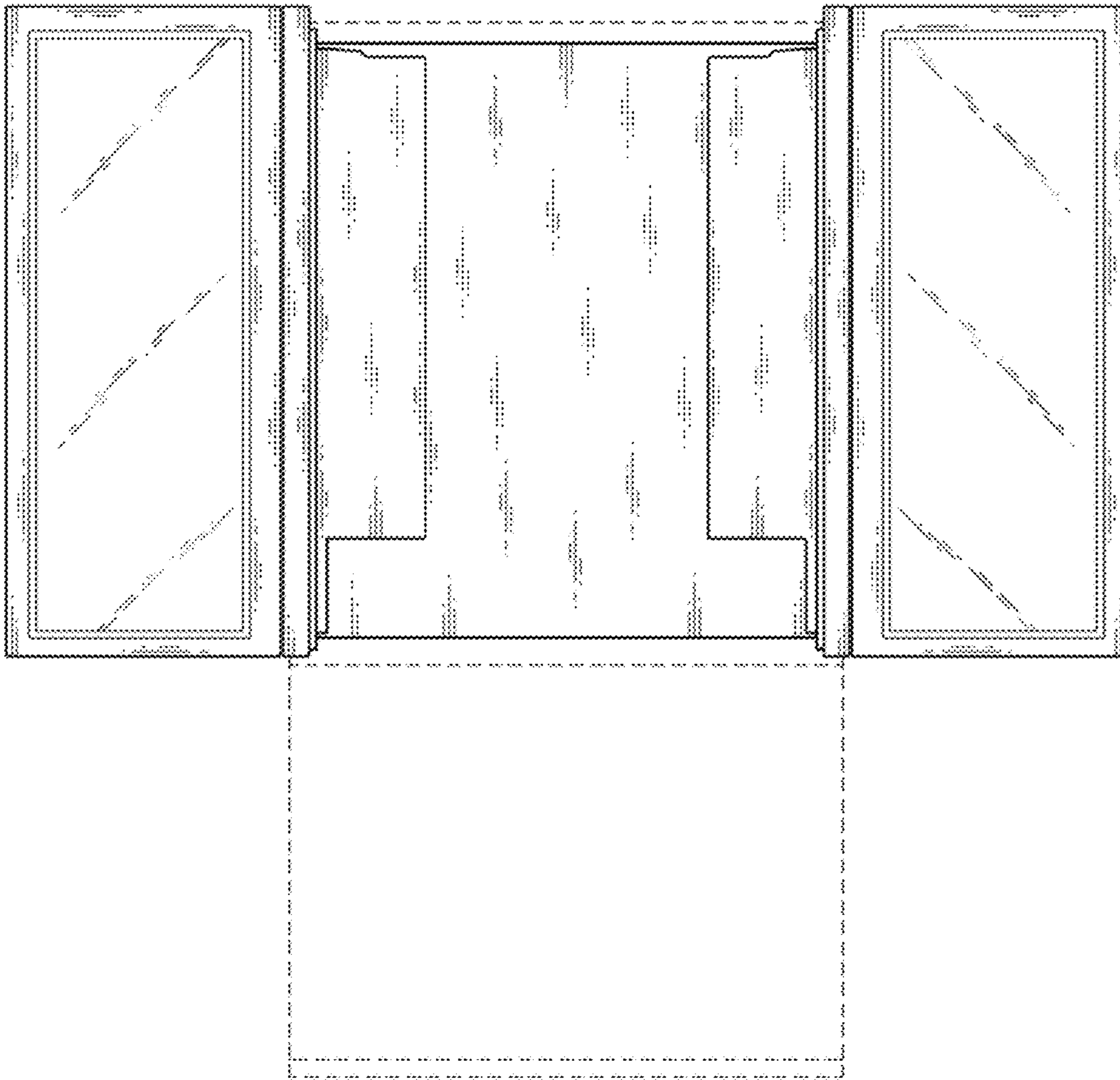
1.11



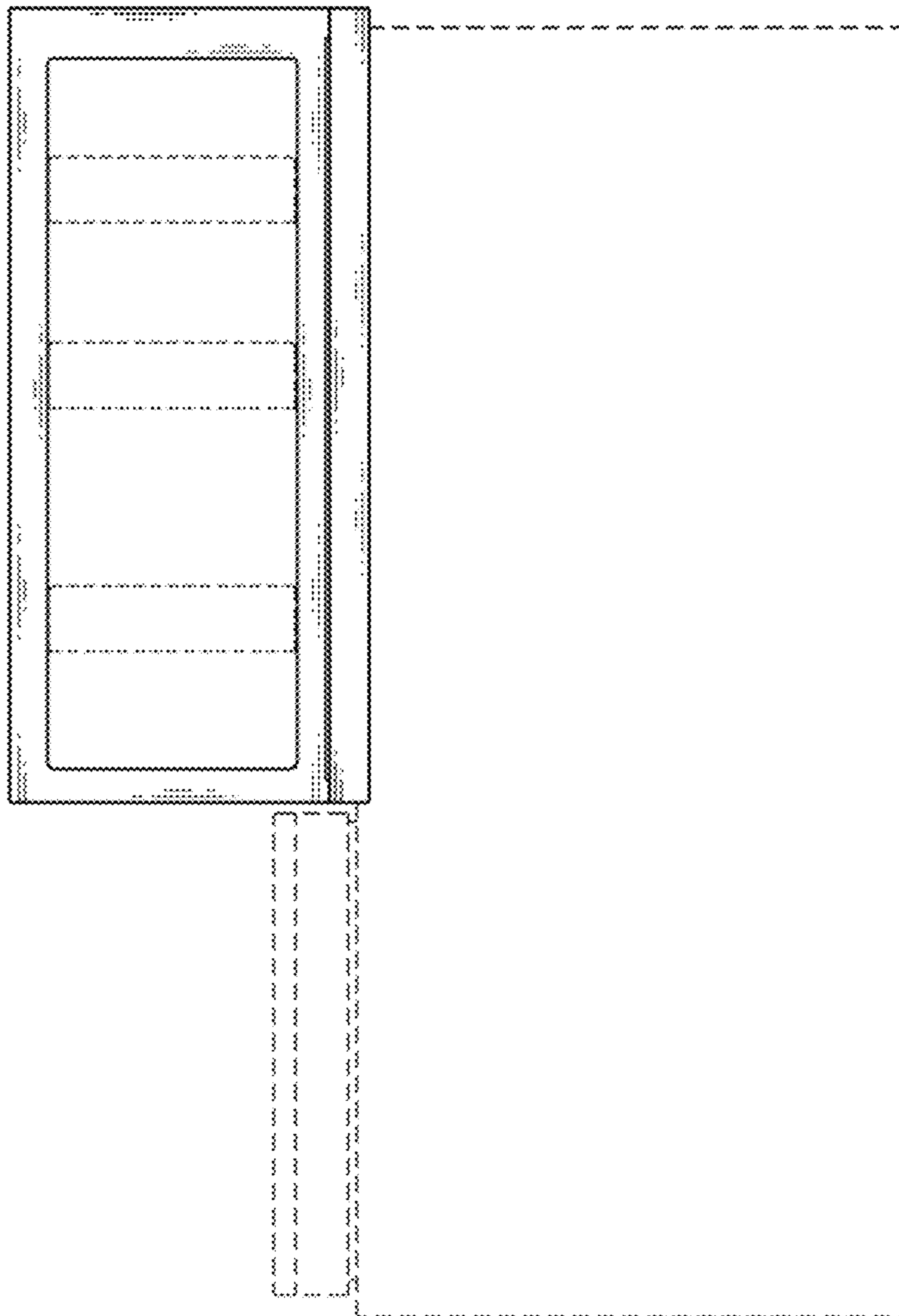
1.12

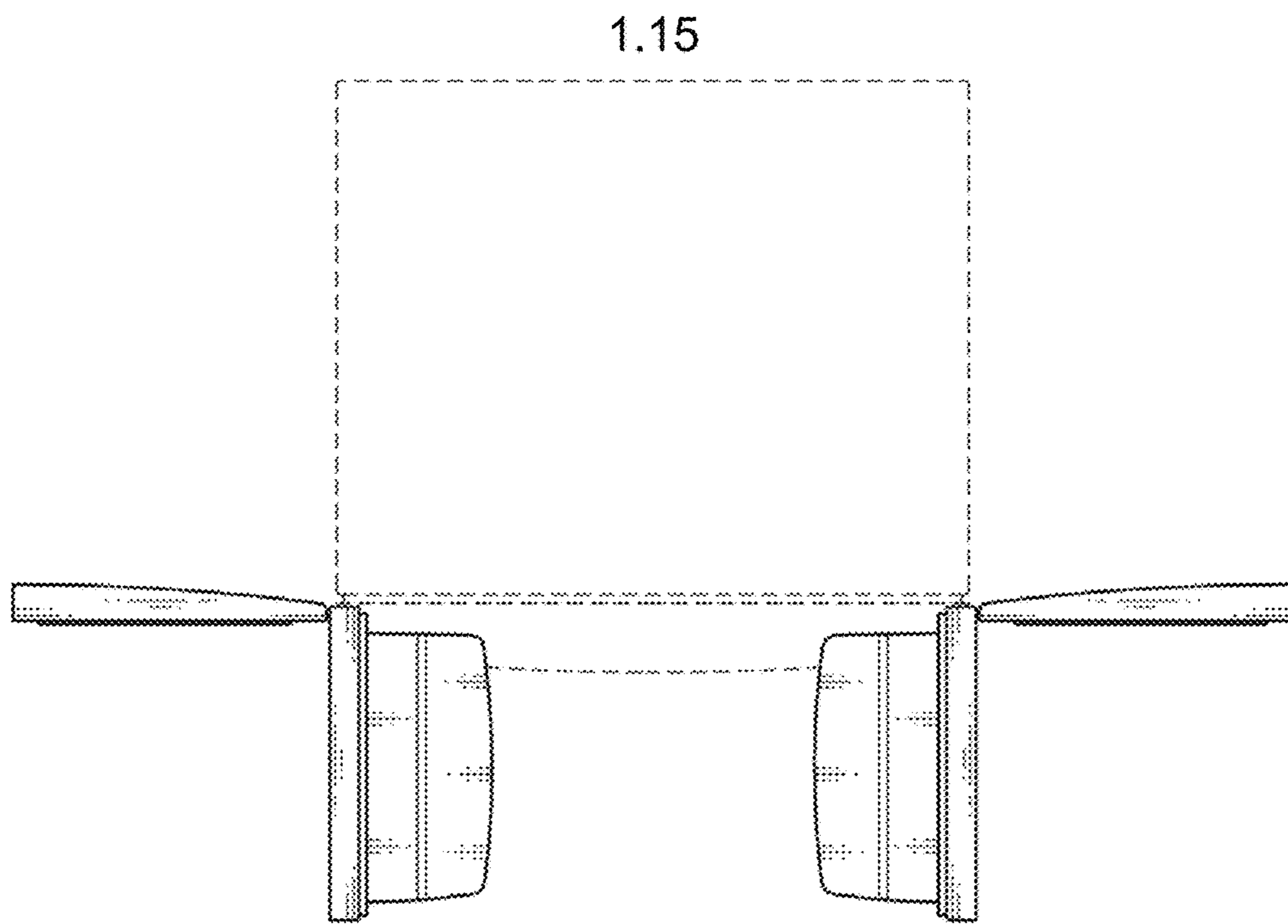


1.13



1.14





1.16

