



US00D817365S

(12) **United States Design Patent** (10) **Patent No.:** **US D817,365 S**
Kil (45) **Date of Patent:** **** May 8, 2018**

(54) **SEWING MACHINE**

(71) Applicant: **BROTHER INDUSTRIES, LTD.**,
Nagoya-shi, Aichi-ken (JP)

(72) Inventor: **Jihoon Kil**, Nagoya (JP)

(73) Assignee: **BROTHER INDUSTRIES, LTD.**,
Nagoya (JP)

(**) Term: **15 Years**

(21) Appl. No.: **29/598,308**

(22) Filed: **Mar. 24, 2017**

(51) **LOC (11) Cl.** **15-06**

(52) **U.S. Cl.**
USPC **D15/69**

(58) **Field of Classification Search**
USPC D15/66-78
CPC D05B 1/00-25/00
See application file for complete search history.

(56) **References Cited**

U.S. PATENT DOCUMENTS

4,966,089	A *	10/1990	Hanyu	D05B 73/00 112/258
4,998,491	A *	3/1991	Hanyu	D05B 47/04 112/243
D347,847	S *	6/1994	Eguchi	D15/69
D430,886	S *	9/2000	Yamamoto	D15/69
D450,720	S *	11/2001	Kuroki	D15/69
D459,369	S *	6/2002	Yamamoto	D15/69
D504,444	S *	4/2005	Kuroki	D15/69

D506,478	S *	6/2005	Kuroki	D15/69
D515,108	S *	2/2006	Kawaguchi	D15/69
D516,589	S *	3/2006	Katsuyama	D15/69
D520,027	S *	5/2006	Kuroki	D15/69
D591,312	S *	4/2009	Mori	D15/69
D664,161	S *	7/2012	Asano	D15/69
D679,297	S *	4/2013	Asano	D15/69
D695,322	S *	12/2013	Ormaechea	D15/69
D724,110	S *	3/2015	Asano	D15/69
D724,111	S *	3/2015	Asano	D15/69
D765,149	S *	8/2016	Yamamoto	D15/69
D765,742	S *	9/2016	Asano	D15/69
D769,337	S *	10/2016	Asano	D15/69
D783,687	S *	4/2017	Asano	D15/69

* cited by examiner

Primary Examiner — Mitchell I. Siegel

(74) *Attorney, Agent, or Firm* — Oliff PLC

(57) **CLAIM**

The ornamental design for a sewing machine, as shown and described.

DESCRIPTION

FIG. 1 is a perspective view of a sewing machine;

FIG. 2 is a front view thereof;

FIG. 3 is a top view thereof;

FIG. 4 is a right-side view thereof;

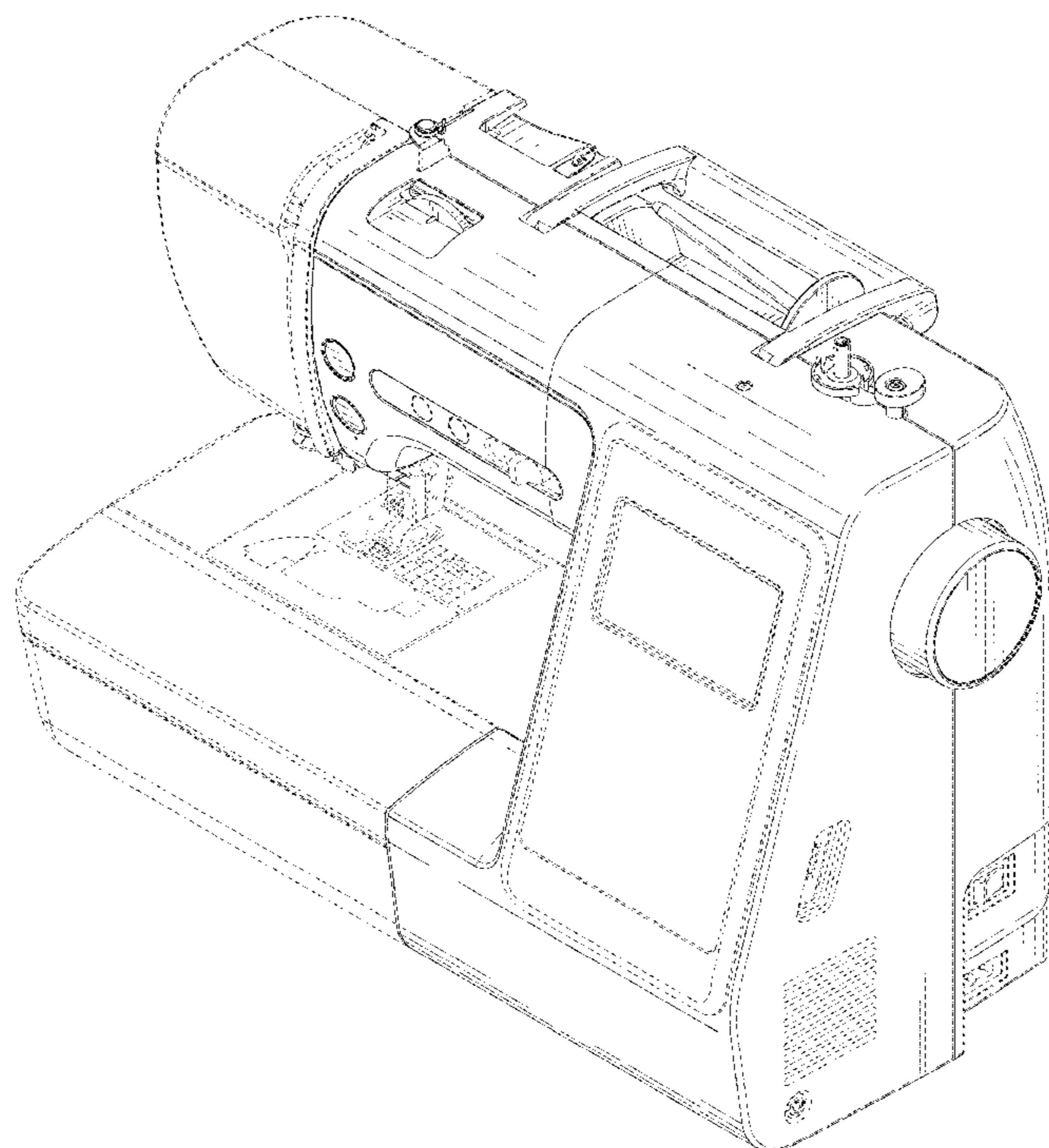
FIG. 5 is a left-side view thereof;

FIG. 6 is a rear view thereof; and,

FIG. 7 is a bottom view thereof.

The broken lines depict environmental subject matter only and form no part of the claimed design.

1 Claim, 6 Drawing Sheets



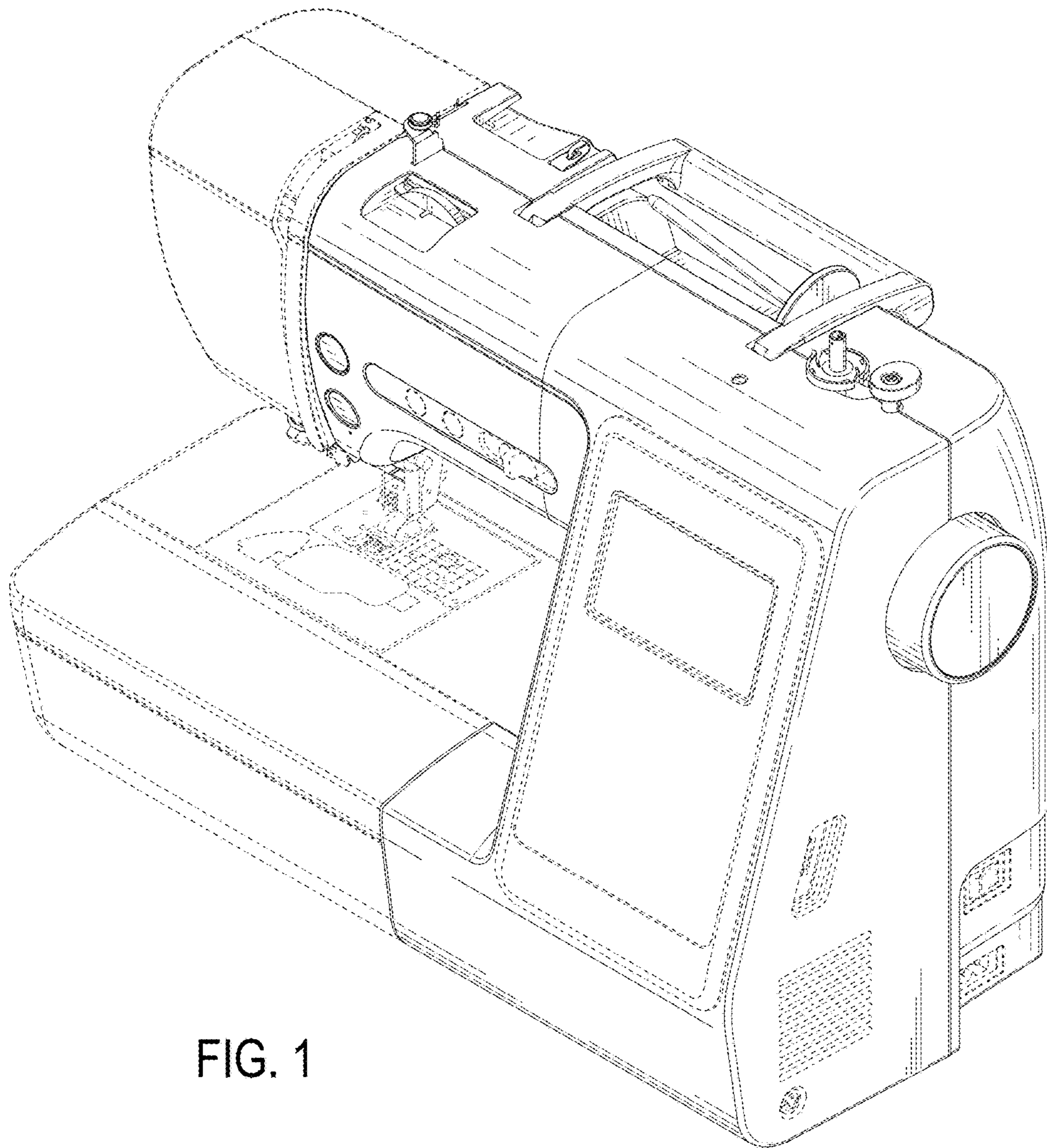


FIG. 1

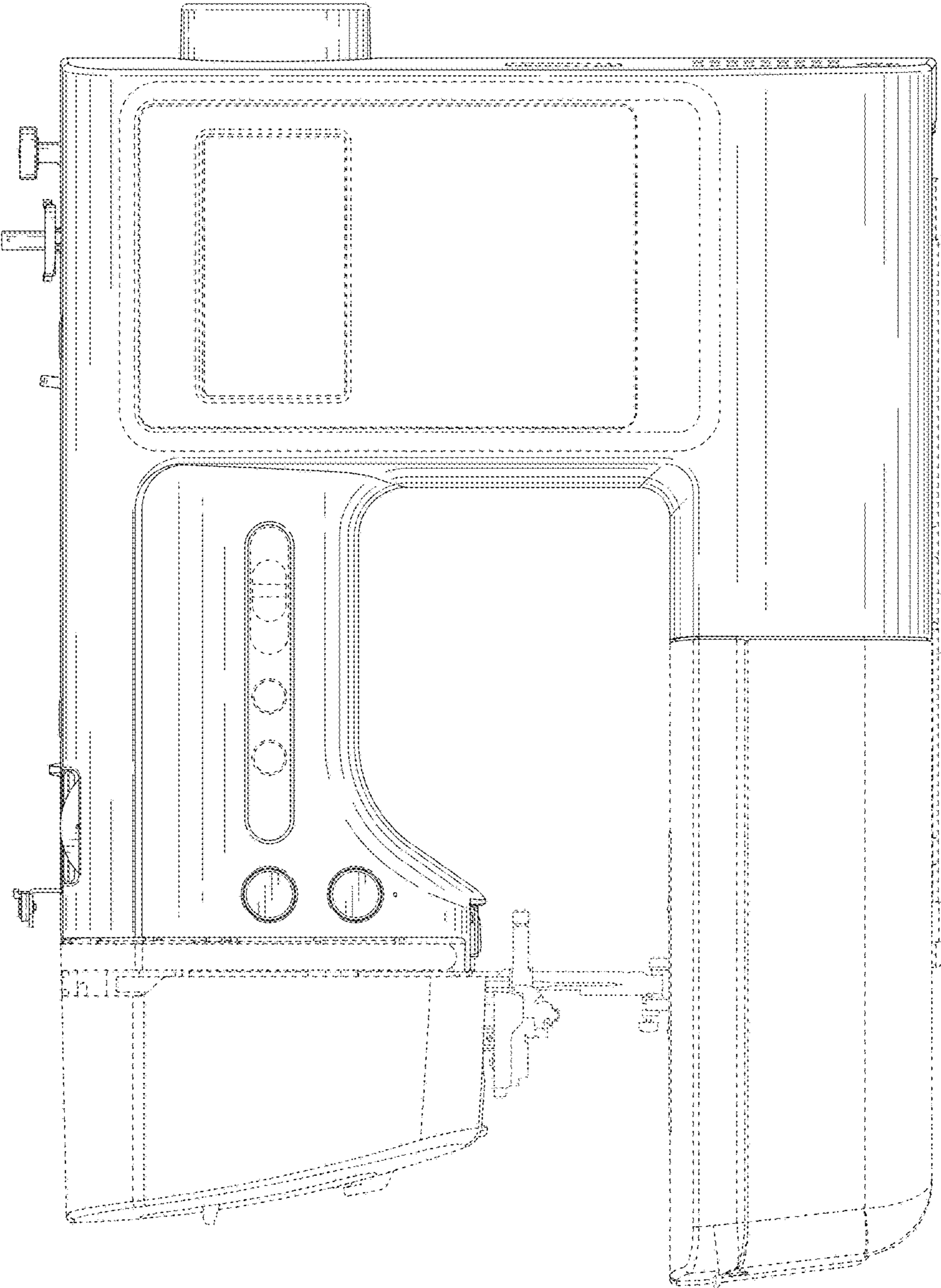


FIG. 2

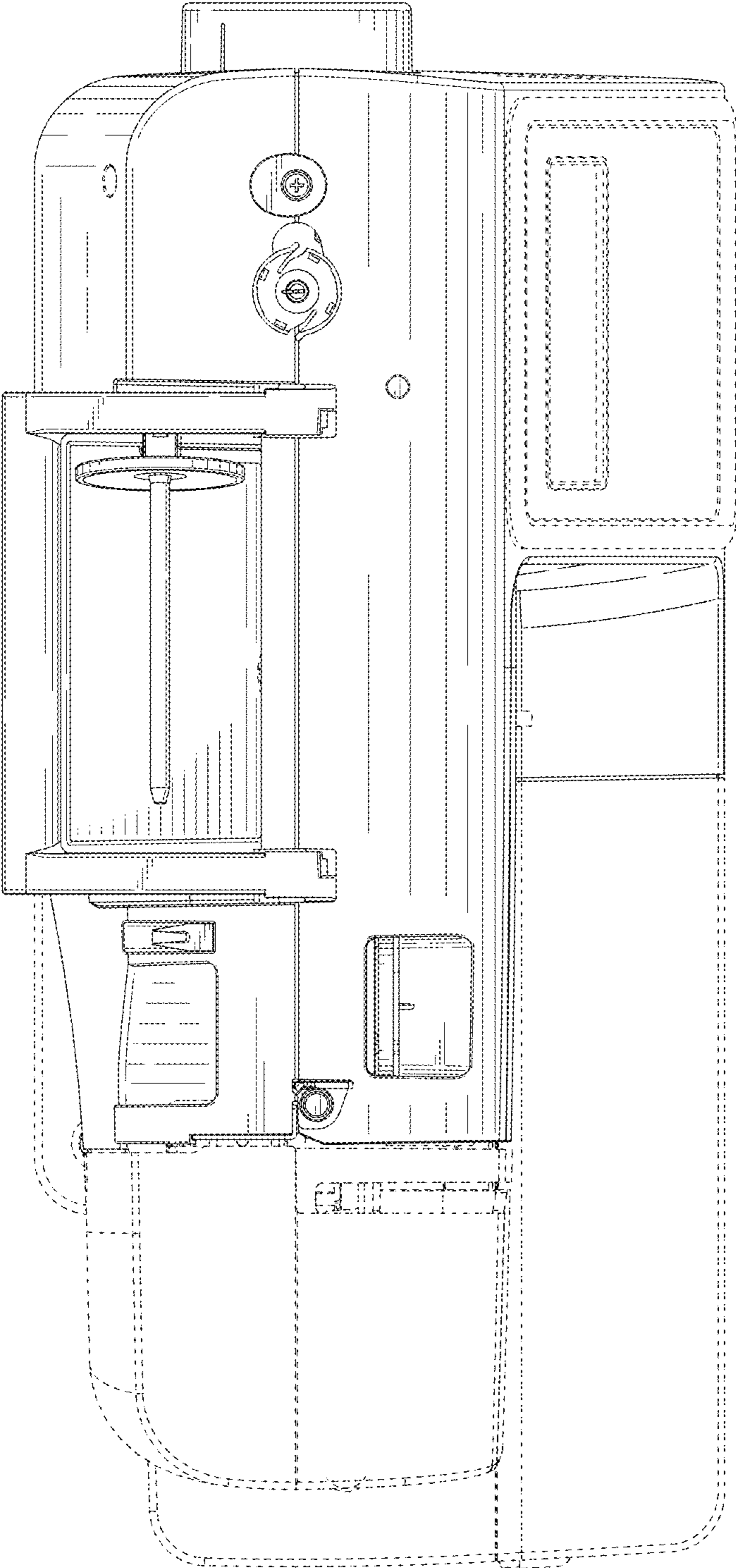


FIG. 3

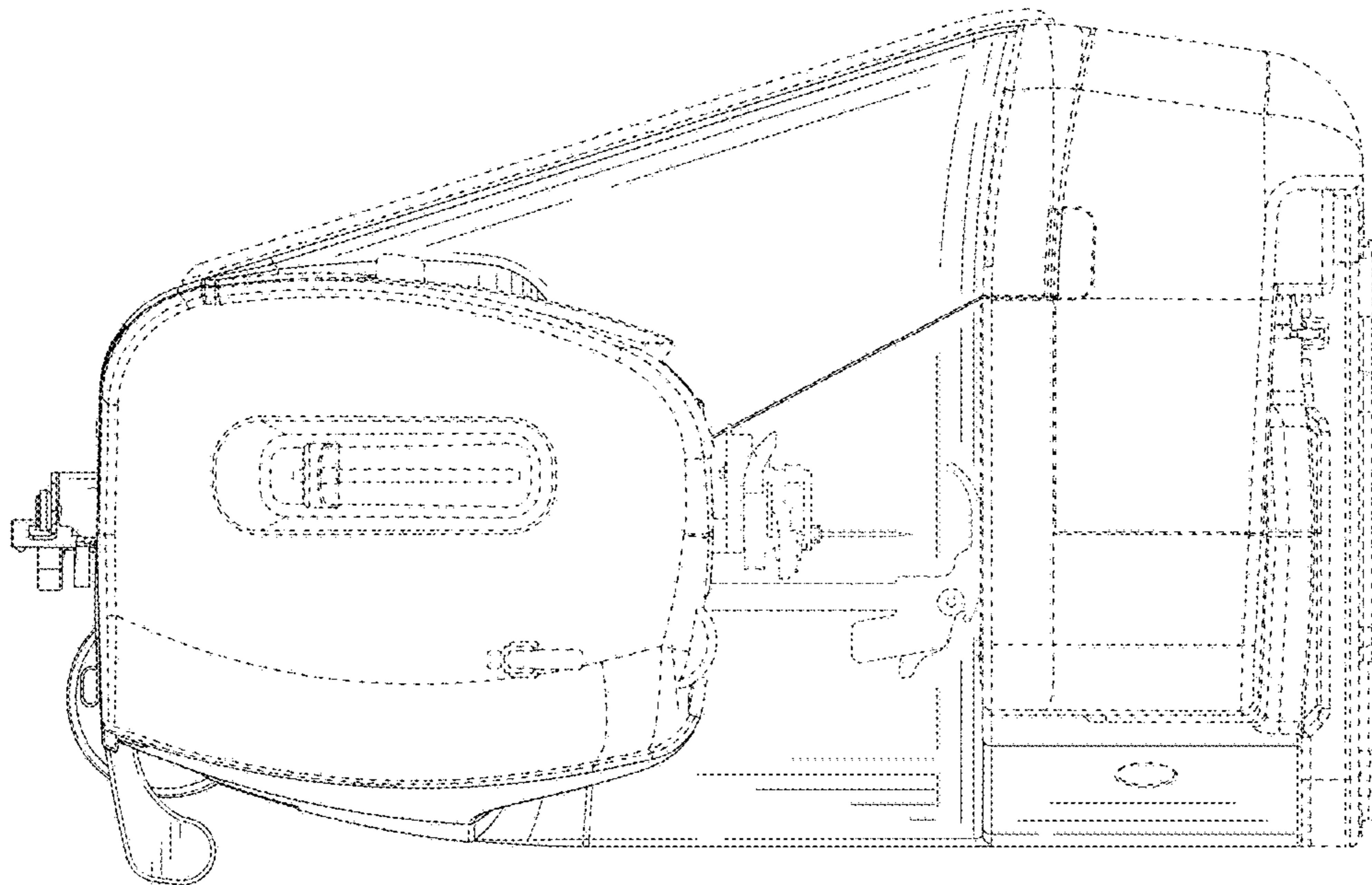


FIG. 5

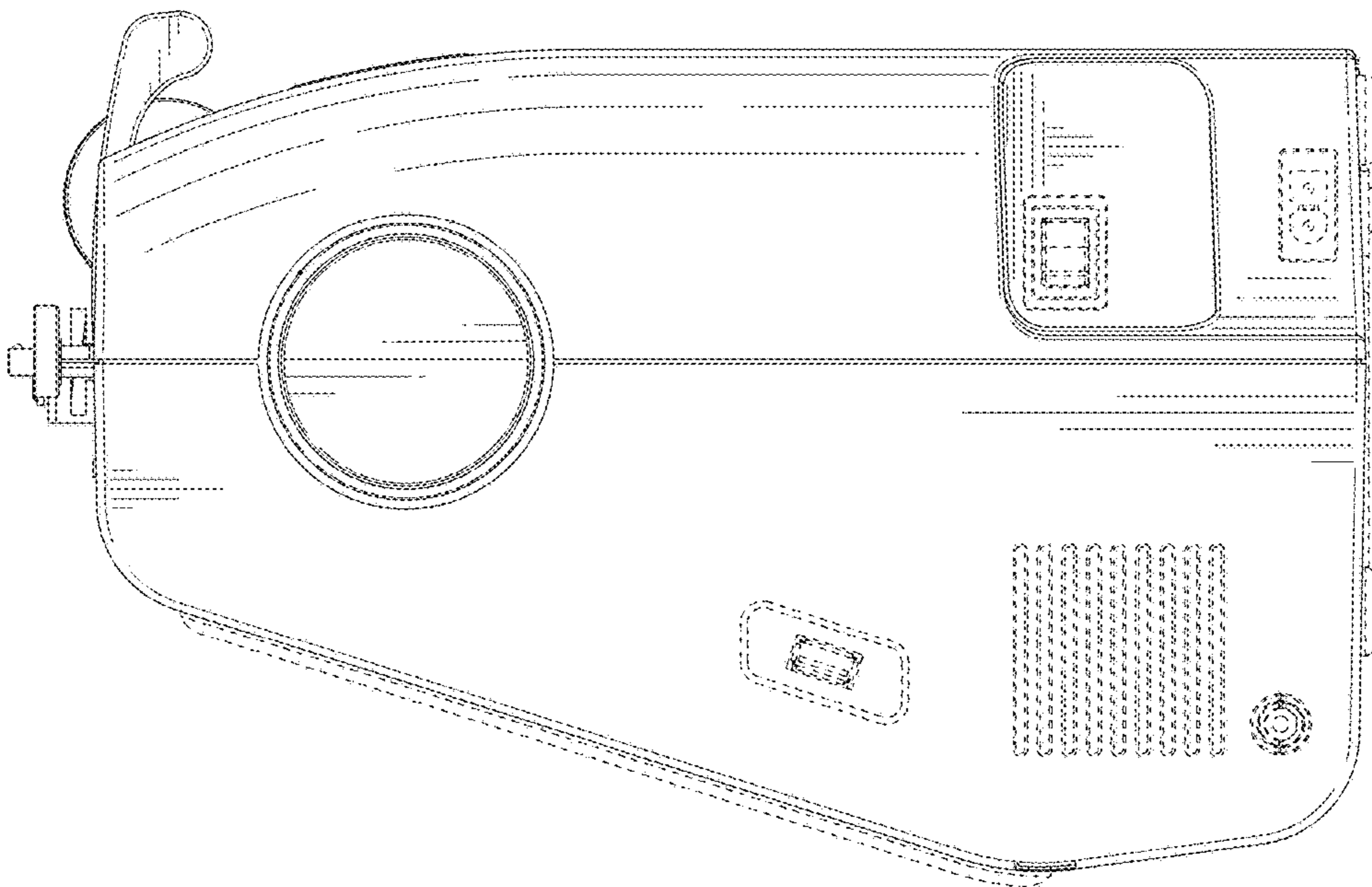


FIG. 4

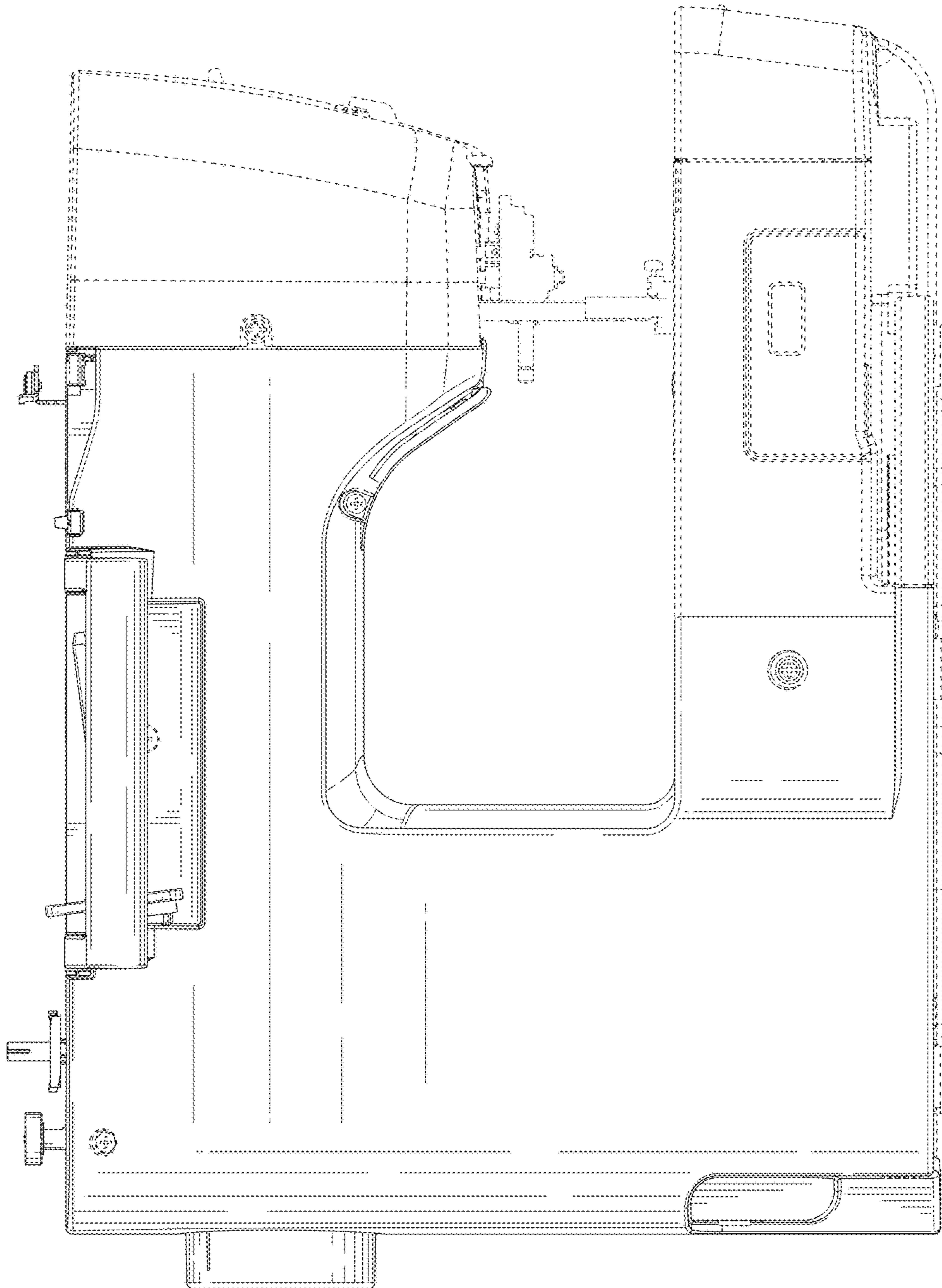


FIG. 6

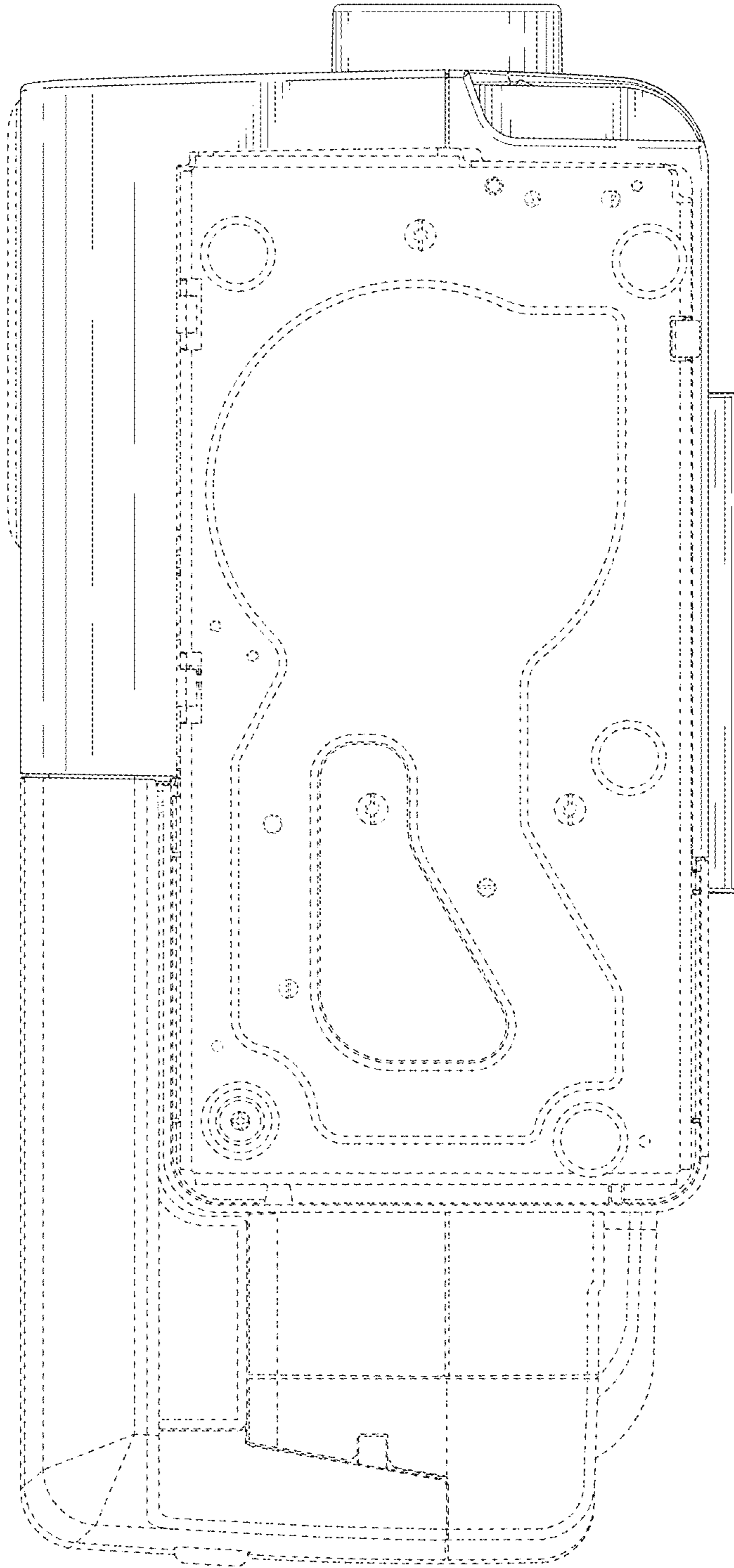


FIG. 7