



US00D817364S

(12) **United States Design Patent** (10) **Patent No.:** **US D817,364 S**
He (45) **Date of Patent:** **** May 8, 2018**

(54) **MOTOR-DRIVEN PUMP**
(71) Applicant: **Wenbo He**, Zhongshan (CN)
(72) Inventor: **Wenbo He**, Zhongshan (CN)
(**) Term: **15 Years**
(21) Appl. No.: **29/604,600**
(22) Filed: **May 18, 2017**

D451,521 S *	12/2001	Poon	D15/7
D464,976 S *	10/2002	Krieger	D15/9
D467,941 S *	12/2002	Duncan	D15/7
D467,942 S *	12/2002	Duncan	D15/7
D470,863 S *	2/2003	Williams	D15/7
D487,899 S *	3/2004	Poon	D15/7
D510,939 S *	10/2005	Nikolayev	D15/9
D559,866 S *	1/2008	Saunders	D15/7
D694,268 S *	11/2013	Ohm	D15/7
D805,109 S *	12/2017	Exley	D15/7

* cited by examiner

(30) **Foreign Application Priority Data**

Mar. 16, 2017 (CN) 2017 3 0076208

(51) **LOC (11) Cl.** **15-02**

(52) **U.S. Cl.**
USPC **D15/7**

(58) **Field of Classification Search**
USPC D15/7-9; D23/231, 232, 225; 417/60,
417/235, 265, 321, 355, 358, 363, 359,
417/410.1, 415-416, 405, 900, 269, 539;
60/408, 412; 184/26-37; 415/140-147;
123/495, 509; 137/565.34
CPC F02M 37/04; F02M 37/14; F04B 53/92;
F04B 1/005
See application file for complete search history.

(56) **References Cited**

U.S. PATENT DOCUMENTS

D421,756 S *	3/2000	Bonzer	D15/7
D423,519 S *	4/2000	Bonzer	D15/9

Primary Examiner — Ralf Seifert

(74) *Attorney, Agent, or Firm* — Wang Law Firm, Inc.

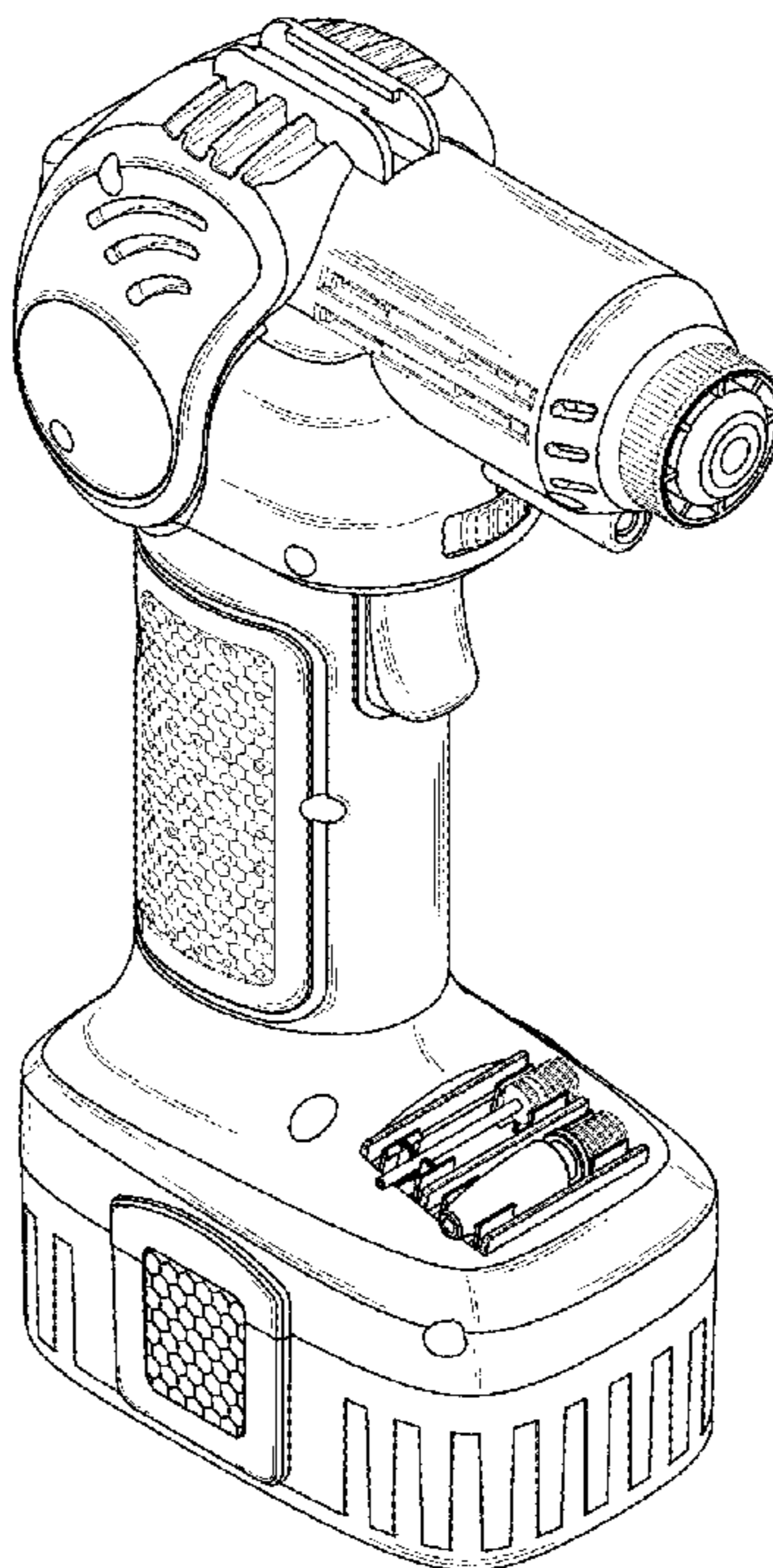
(57) **CLAIM**

The ornamental design for a motor-driven pump, as shown and described.

DESCRIPTION

FIG. 1 is a perspective view of the motor-driven pump showing my new design;
FIG. 2 is a front elevation view thereof;
FIG. 3 is a rear elevation view thereof;
FIG. 4 is a left side elevation view thereof;
FIG. 5 is a right side elevation view thereof;
FIG. 6 is a top plan view thereof; and,
FIG. 7 is a bottom plan view thereof.

1 Claim, 7 Drawing Sheets



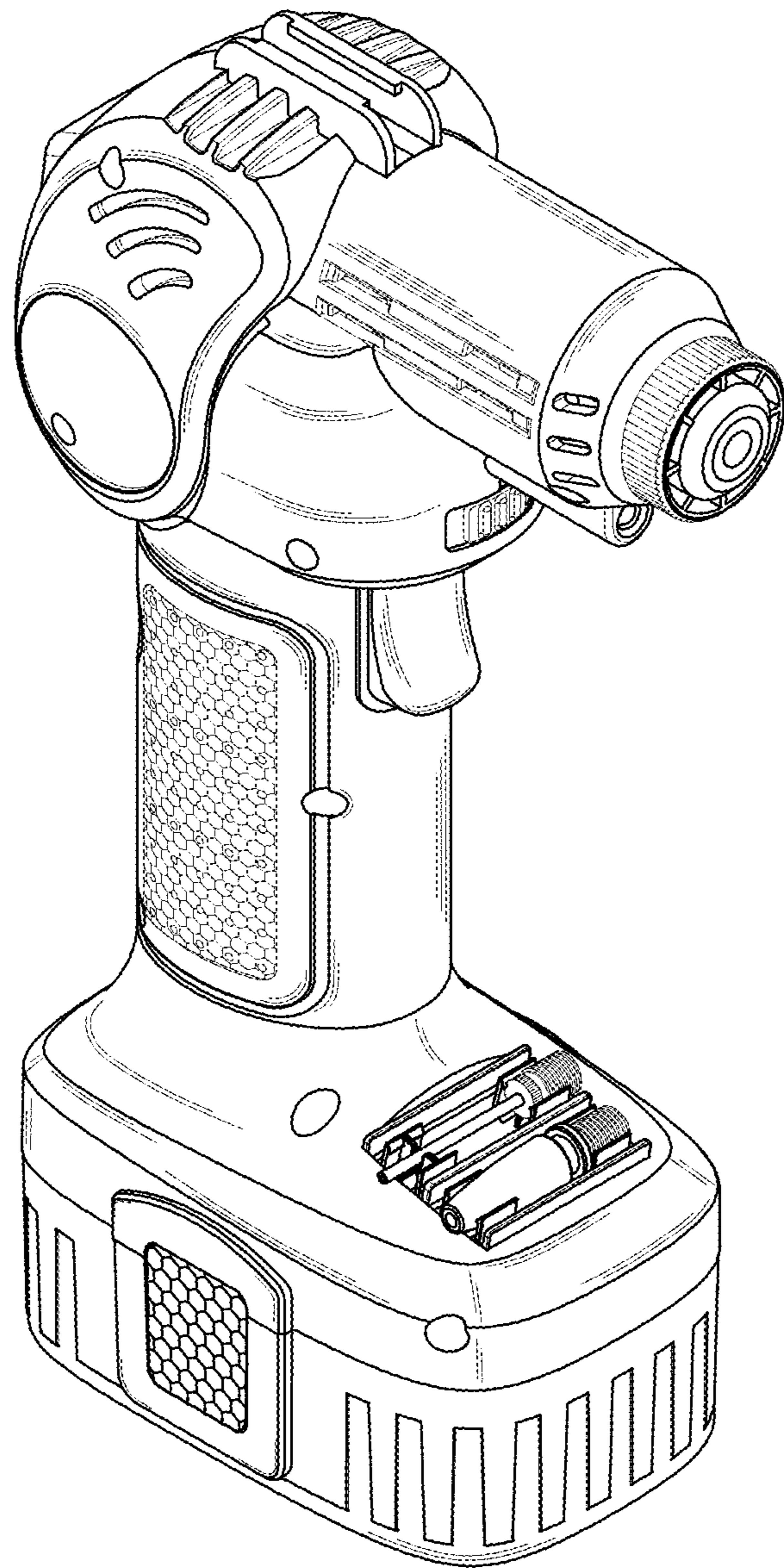


FIG.1

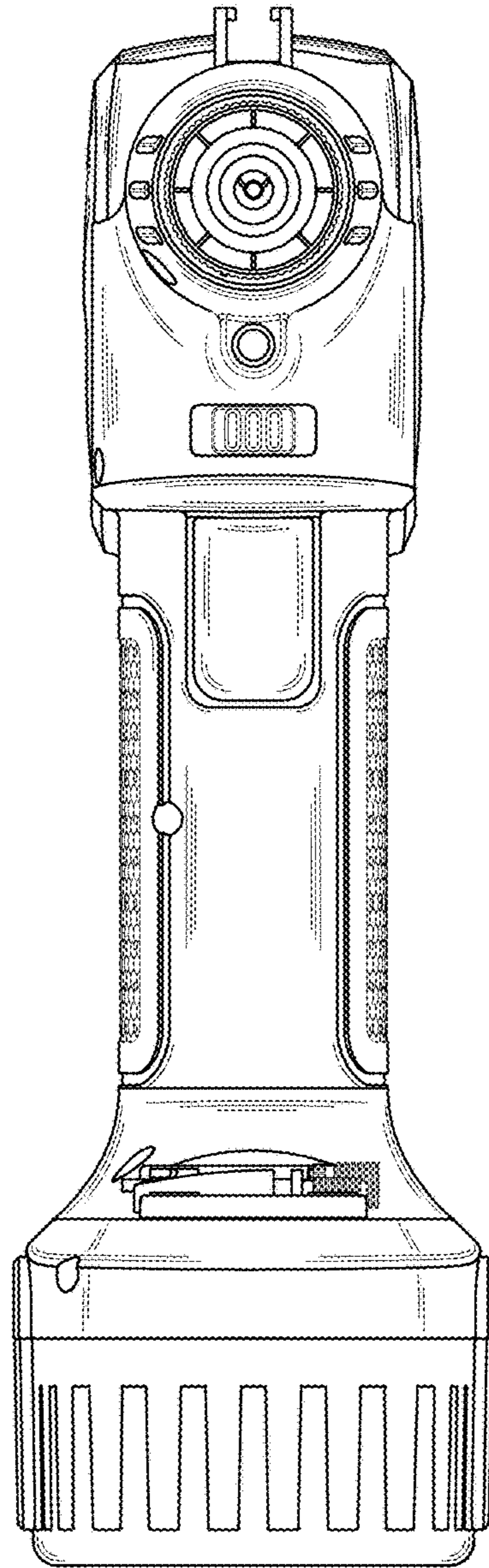


FIG.2

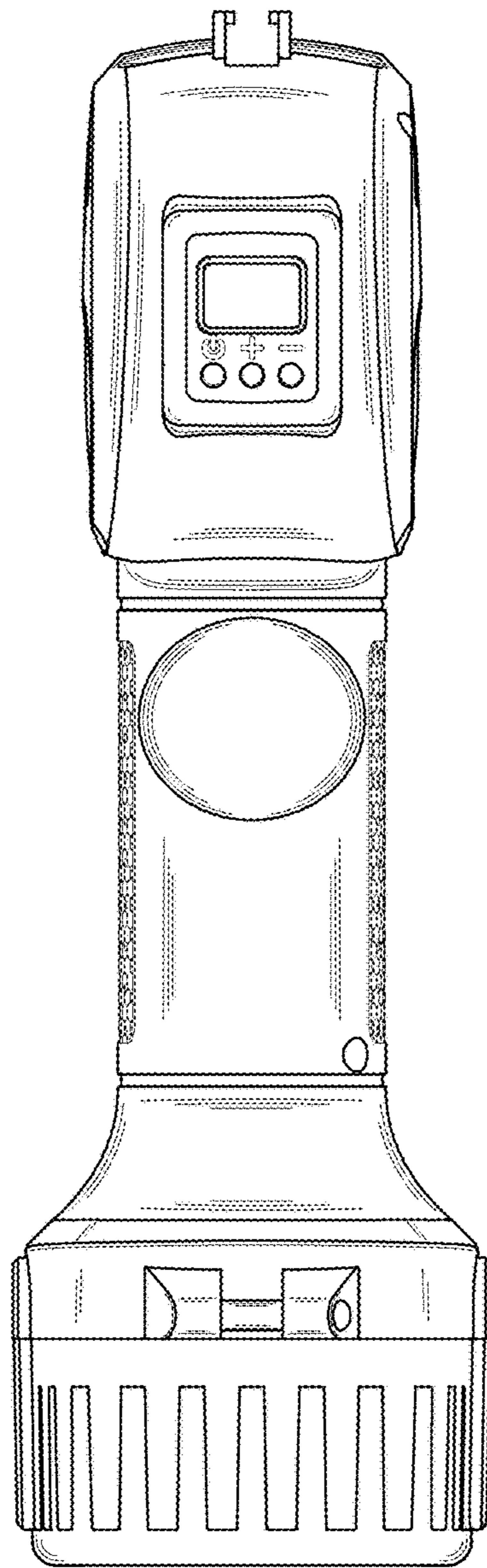


FIG.3

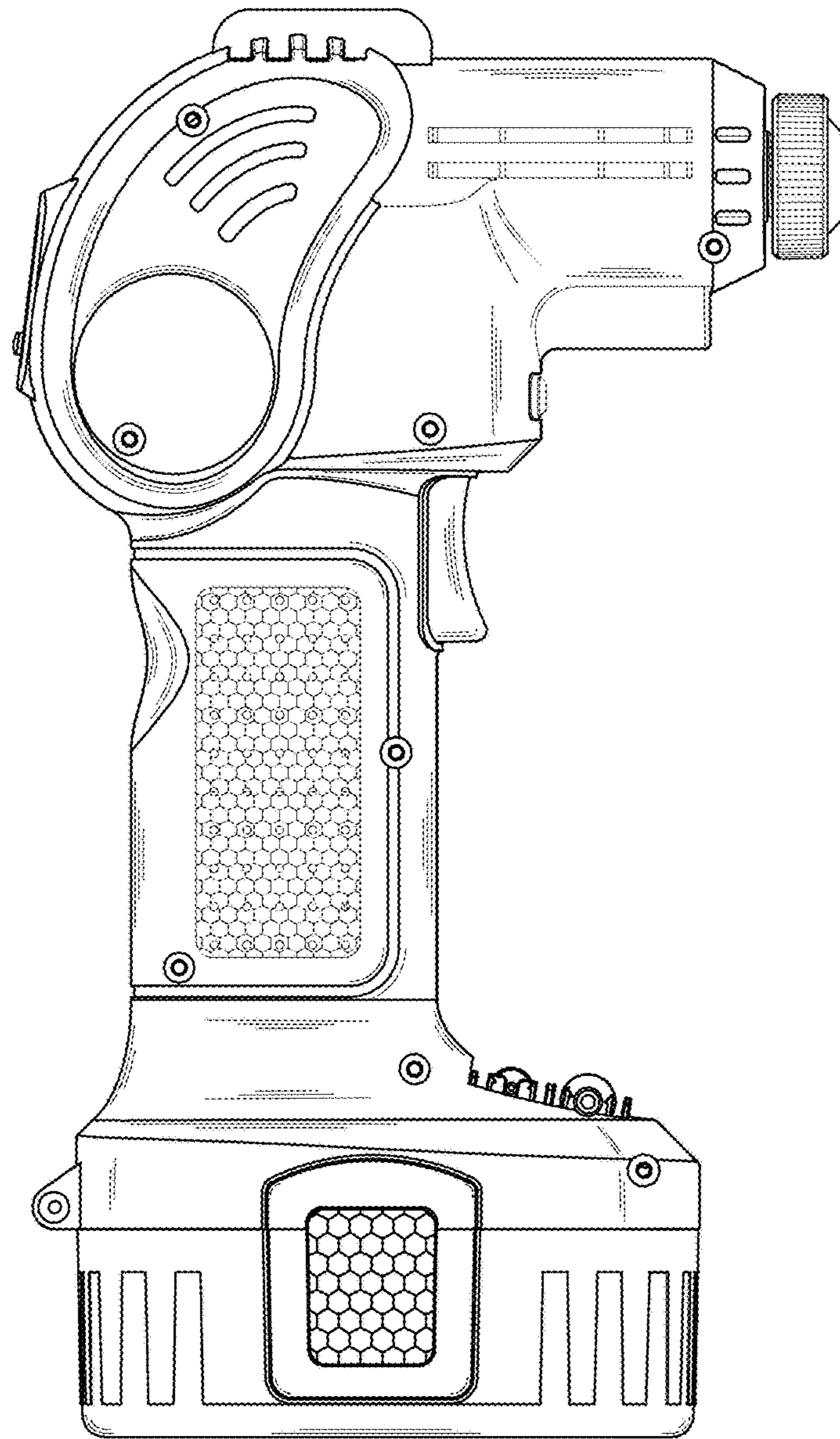


FIG.4

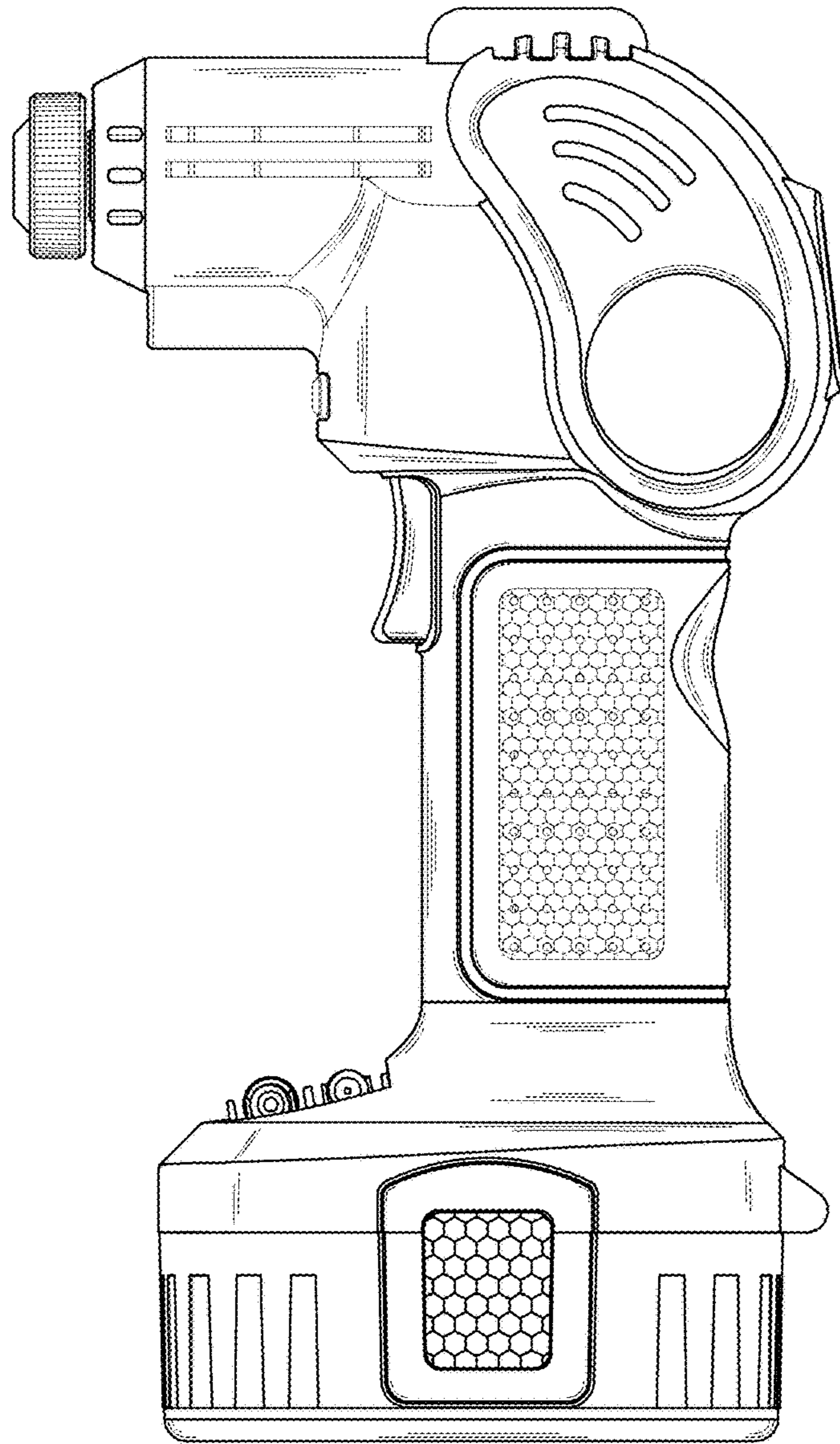


FIG.5

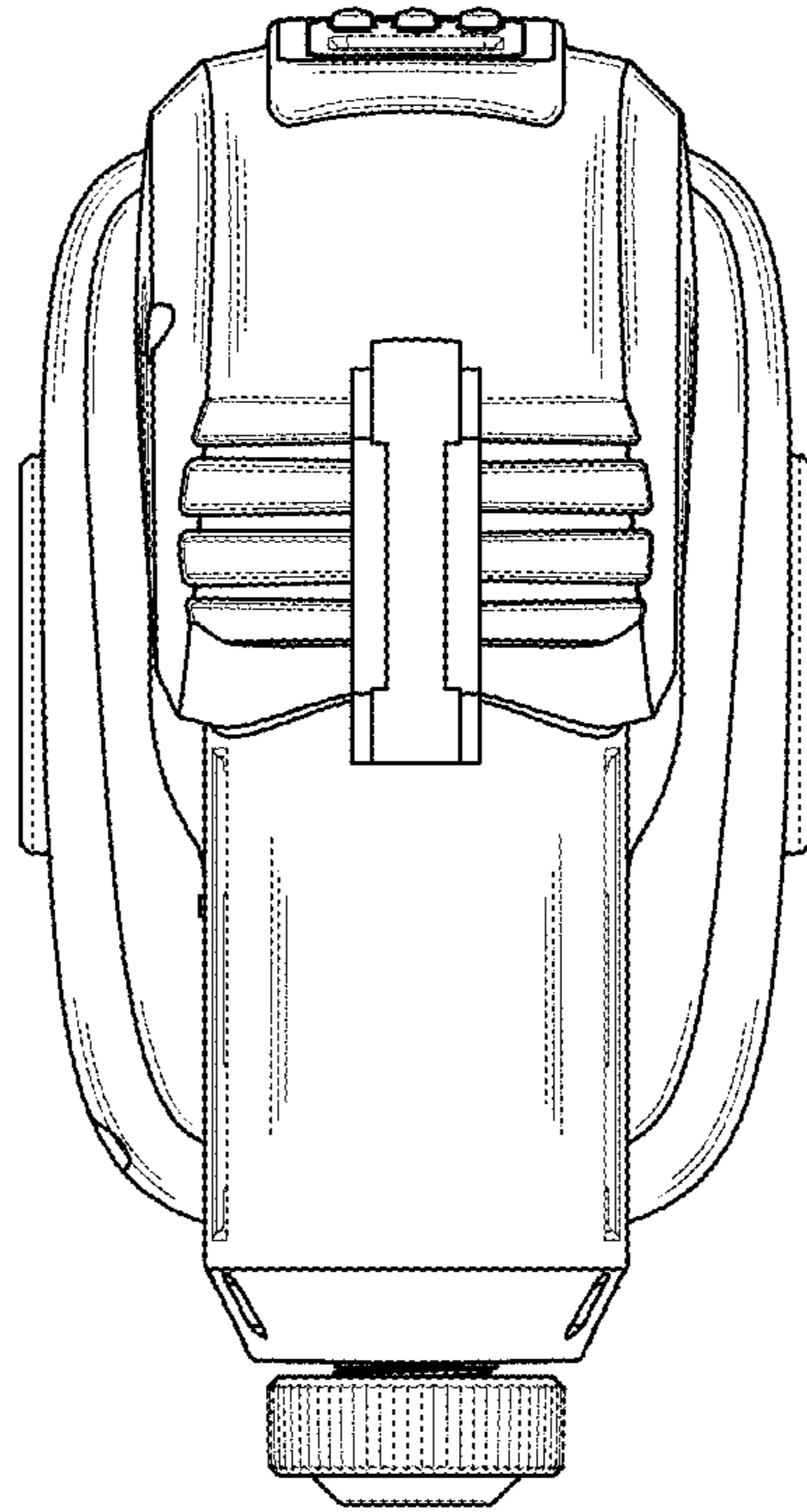


FIG.6

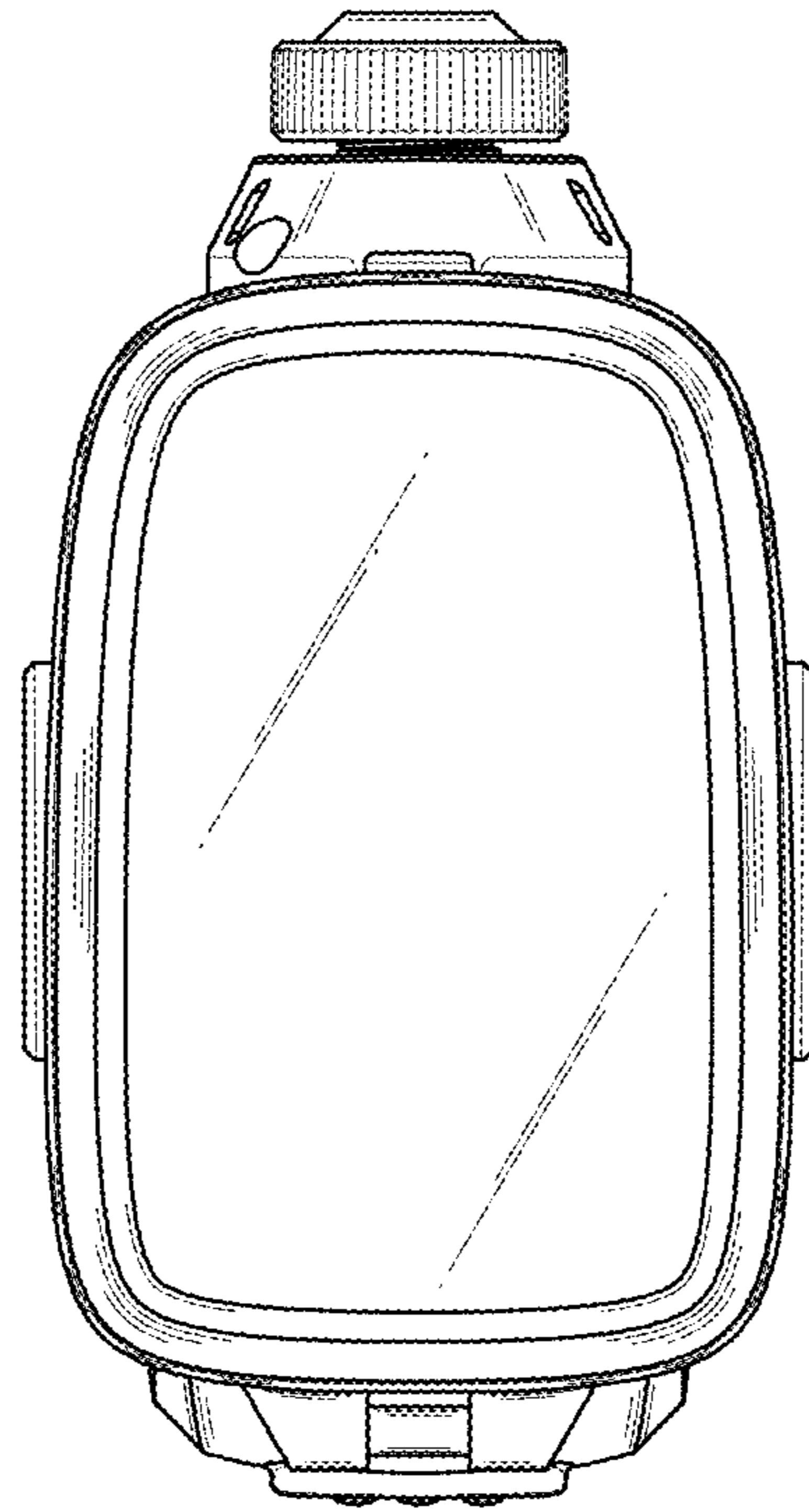


FIG.7