



US00D817362S

(12) **United States Design Patent**  
**Kennedy et al.**

(10) **Patent No.:** **US D817,362 S**

(45) **Date of Patent:** **\*\* May 8, 2018**

(54) **AIR PUMP**

(71) Applicant: **Sage Products, LLC**, Cary, IL (US)

(72) Inventors: **Jeffrey A. Kennedy**, Algonquin, IL (US); **Brian J. Ecklund**, Lakemoor, IL (US)

(73) Assignee: **SAGE PRODUCTS, LLC**, Cary, IL (US)

(\*\*) Term: **15 Years**

(21) Appl. No.: **29/592,979**

(22) Filed: **Feb. 3, 2017**

(51) **LOC (11) Cl.** ..... **15-02**

(52) **U.S. Cl.**  
USPC ..... **D15/7**

(58) **Field of Classification Search**  
USPC ..... D15/7-9; D23/231, 232, 225; 417/60, 417/235, 265, 321, 355, 358, 363, 359, 417/410.1, 415-416, 405, 900, 269, 539; 60/408, 412; 184/26-37; 415/140-147; 123/495, 509; 137/565.34  
CPC ..... F02M 37/04; F02M 37/14; F04B 53/92; F04B 1/005; F04B 27/0414; F04D 13/06; F04D 29/22; F04D 29/046; F04D 29/2266

See application file for complete search history.

(56) **References Cited**

**U.S. PATENT DOCUMENTS**

D466,908 S 12/2002 Poon  
D484,147 S 12/2003 Tai  
D485,281 S \* 1/2004 Hsiao ..... D15/9  
D490,821 S 6/2004 Leventhal et al.

D501,486 S 2/2005 Leone et al.  
D531,645 S \* 11/2006 Wise ..... D15/9  
D548,751 S \* 8/2007 Snider ..... D15/7  
D557,708 S 12/2007 Carpenter et al.  
D588,165 S \* 3/2009 Steinfels ..... D15/9  
D641,765 S \* 7/2011 Vieira ..... D15/9  
D664,156 S \* 7/2012 Meza ..... D15/7  
D669,501 S \* 10/2012 Meza ..... D15/7  
D698,369 S \* 1/2014 Meza ..... D15/7  
D713,860 S 9/2014 Pedrollo  
D726,771 S \* 4/2015 Pansegrouw ..... D15/7  
D739,441 S 9/2015 Harkness et al.  
D744,006 S \* 11/2015 Nommensen ..... D15/9

\* cited by examiner

*Primary Examiner* — Ralf Seifert

(74) *Attorney, Agent, or Firm* — Foley & Lardner LLP

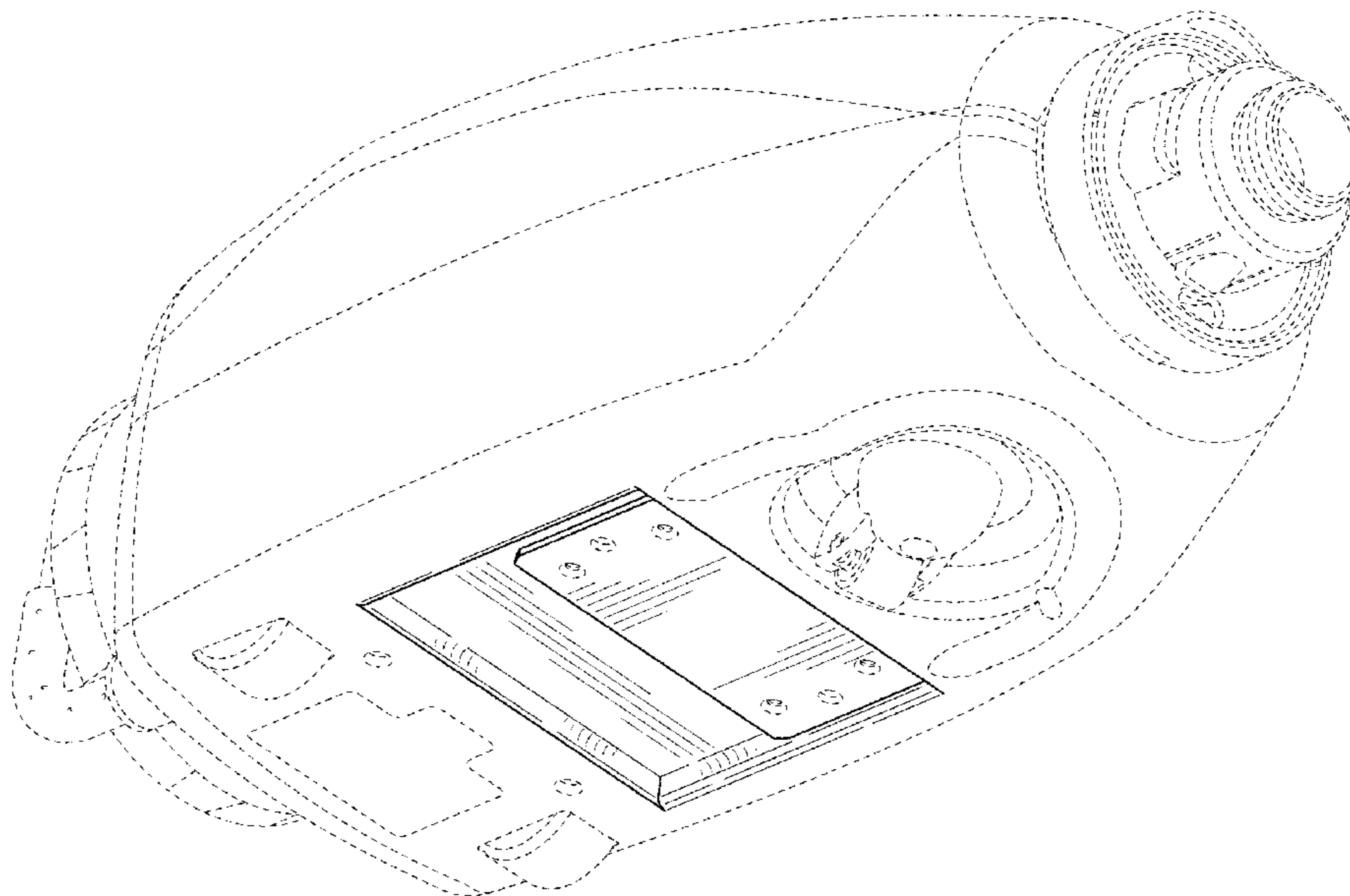
(57) **CLAIM**

The ornamental design for an air pump, as shown and described.

**DESCRIPTION**

FIG. 1 is a top, front, right perspective view of an air pump showing our new design;  
FIG. 2 is a front view thereof;  
FIG. 3 is a rear view thereof;  
FIG. 4 is a right side view thereof;  
FIG. 5 is a left side view thereof;  
FIG. 6 is a top view thereof;  
FIG. 7 is a bottom view thereof; and,  
FIG. 8 is a bottom, rear, left perspective view thereof.  
The broken lines immediately adjacent to the shaded area represent unclaimed boundaries of the design. The broken lines showing the remainder of the air pump represent unclaimed subject matter and form no part of the claimed design.

**1 Claim, 7 Drawing Sheets**



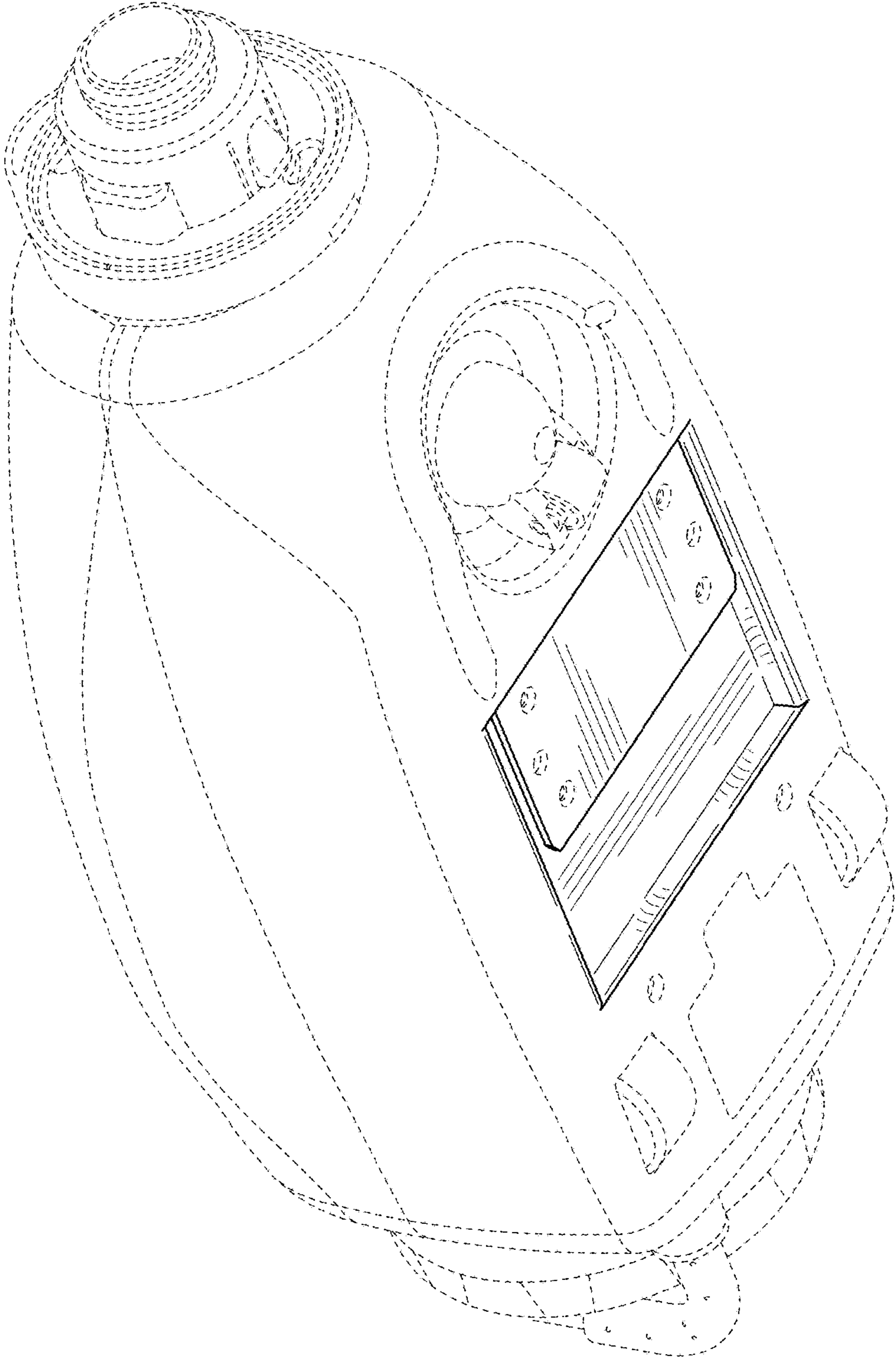


FIG. 1

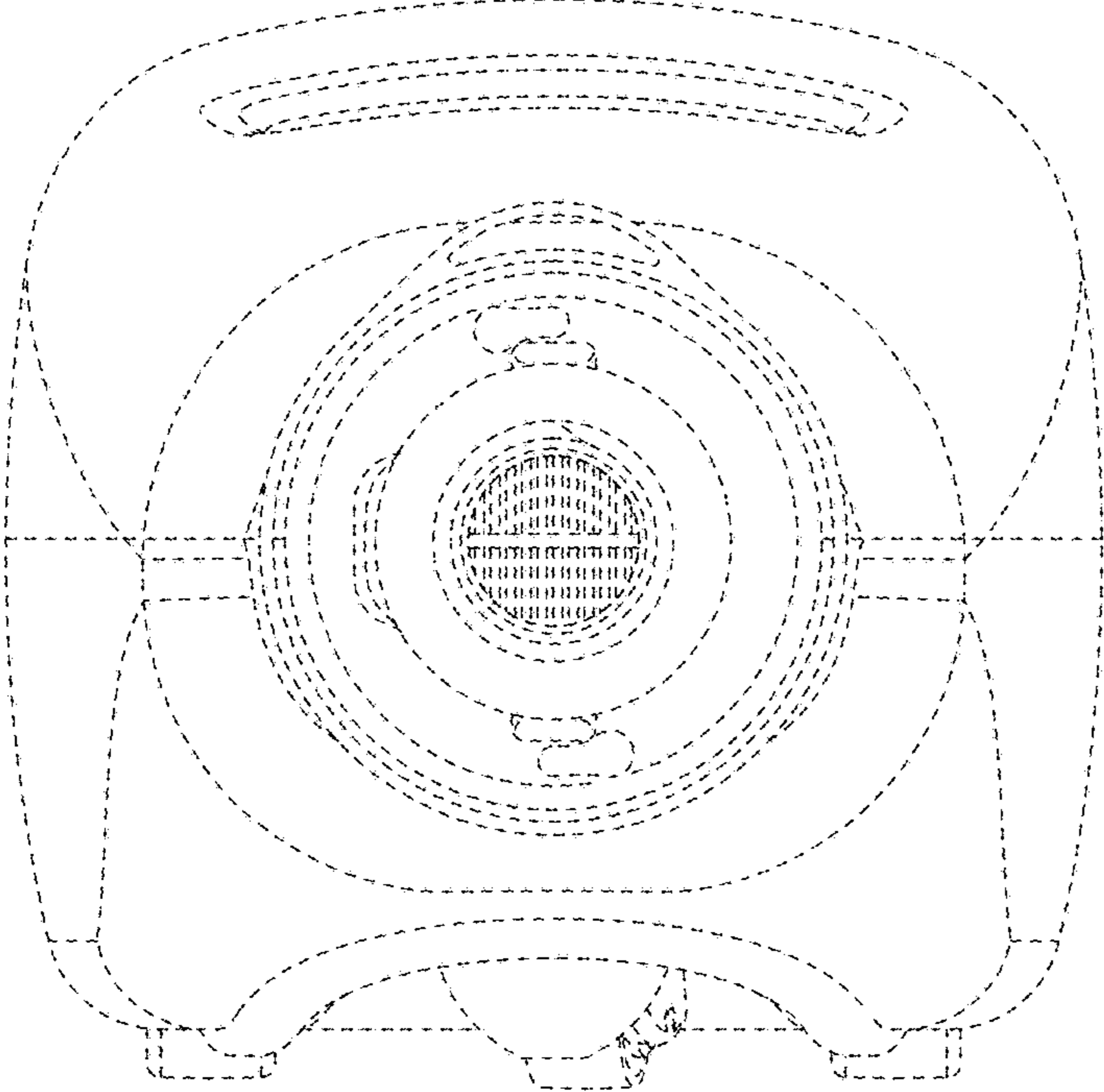


FIG. 2

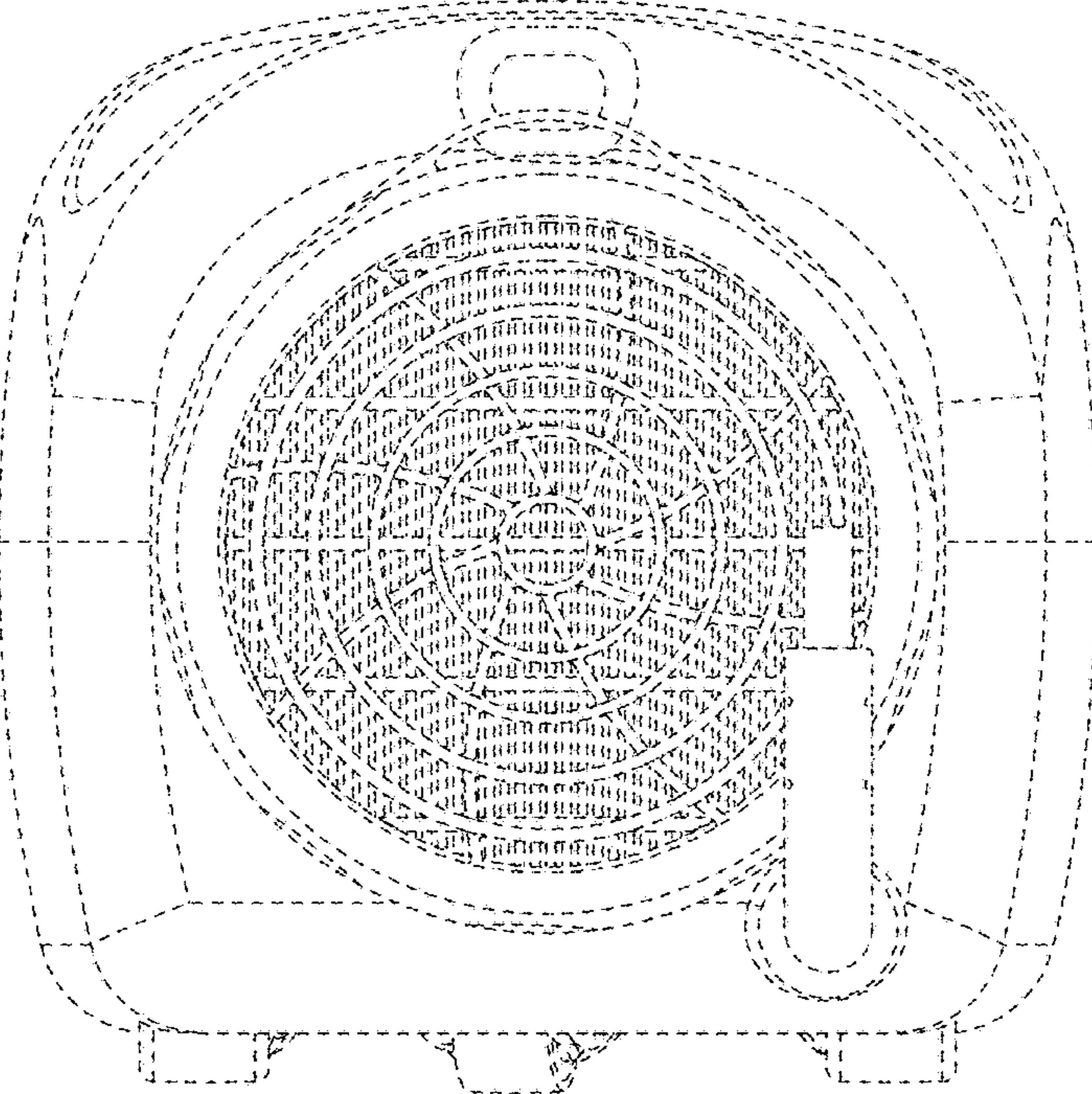


FIG. 3

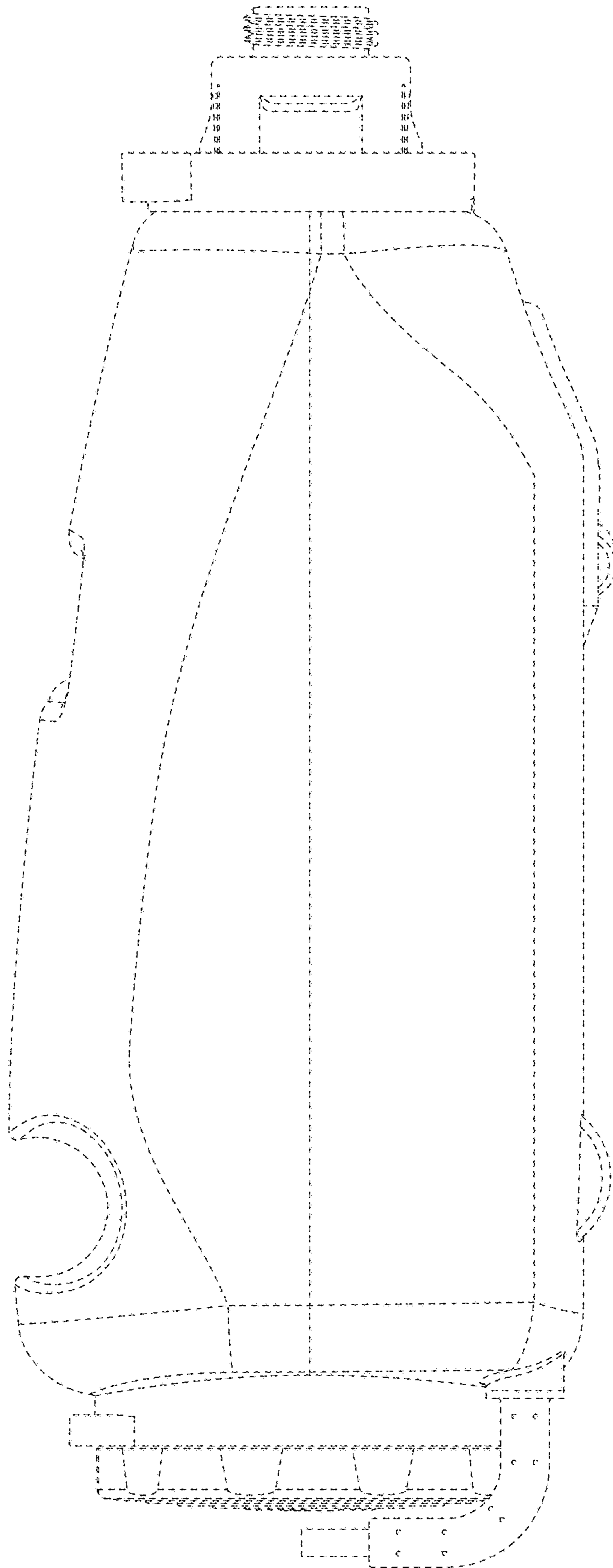


FIG. 4

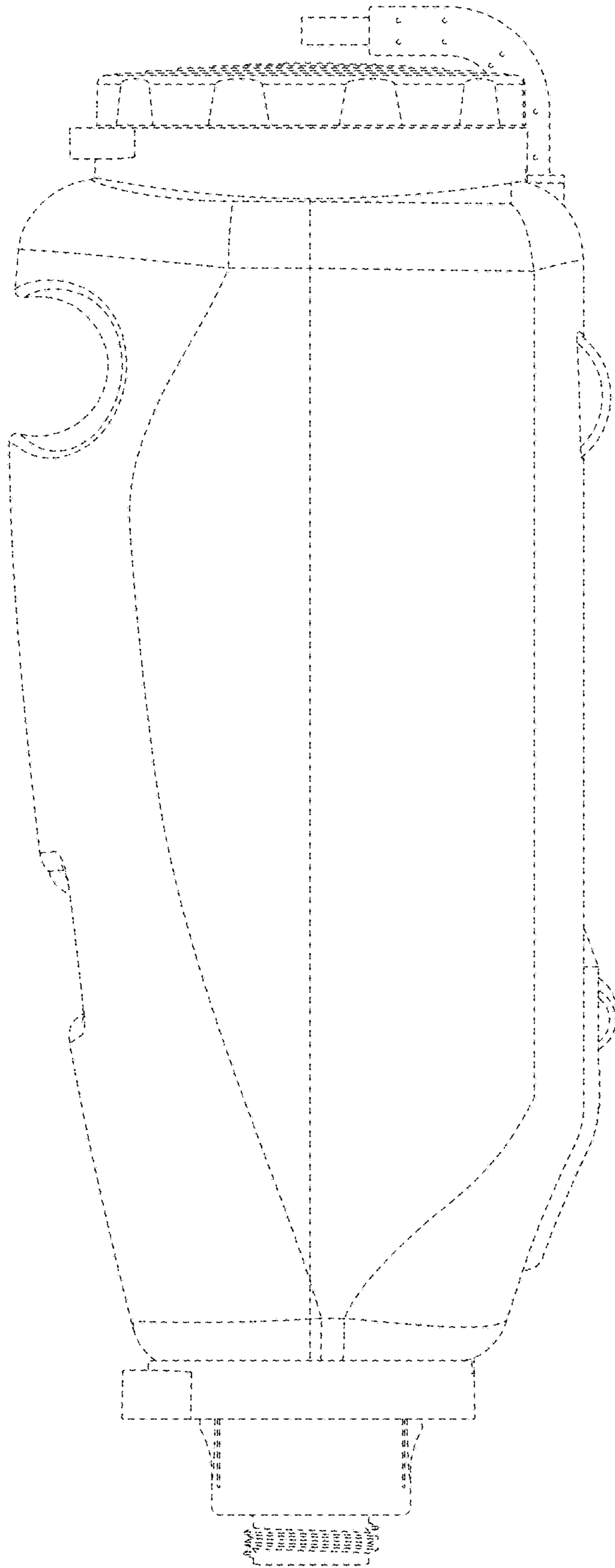


FIG. 5

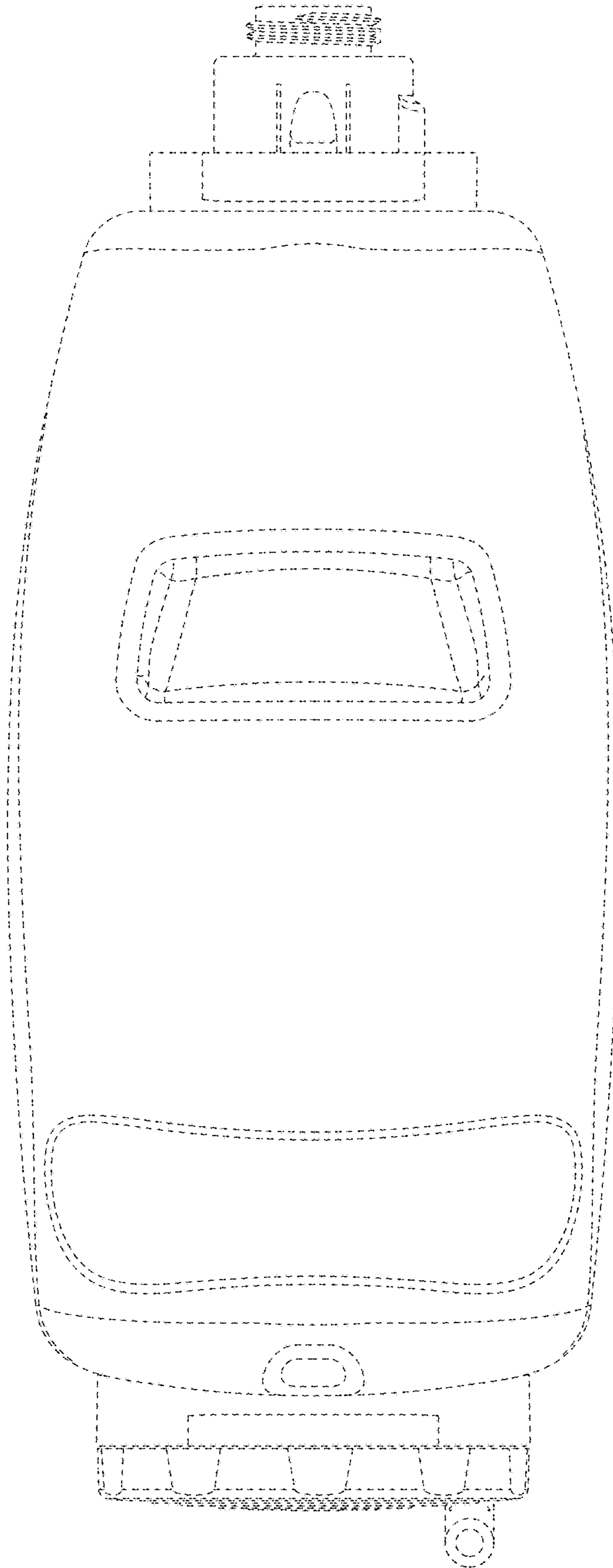


FIG. 6

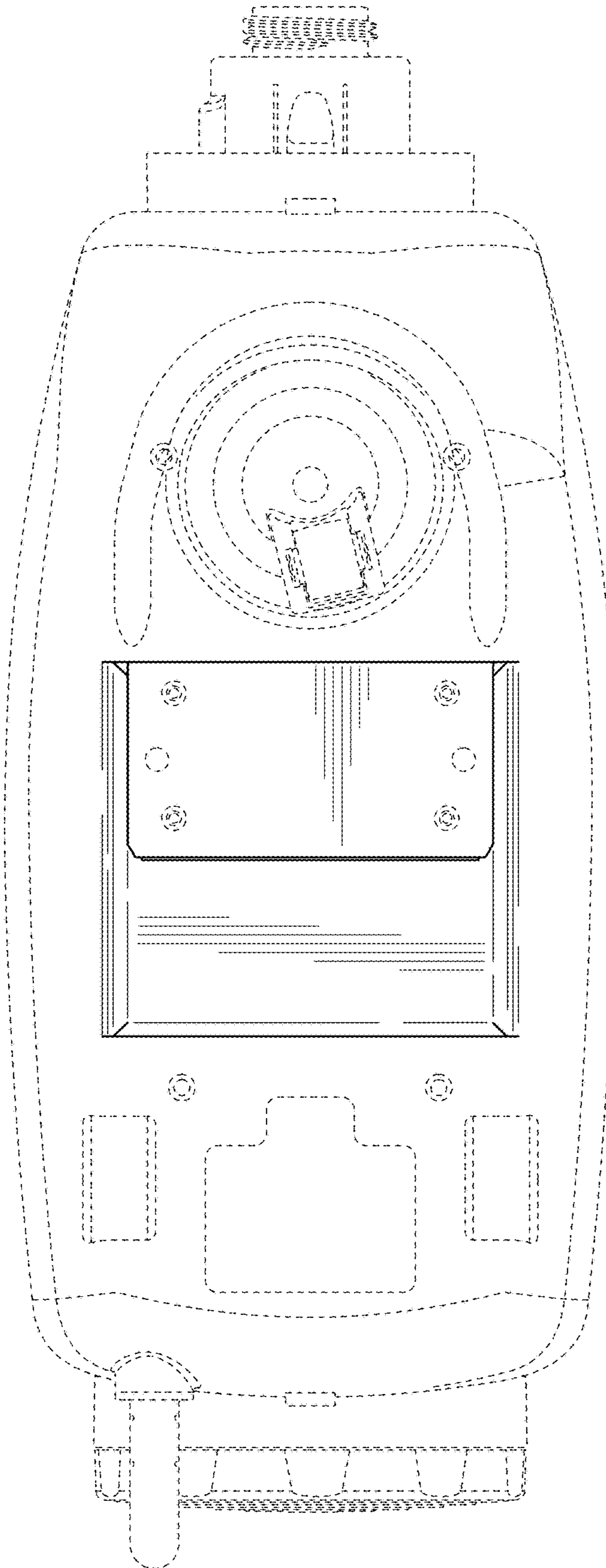


FIG. 7

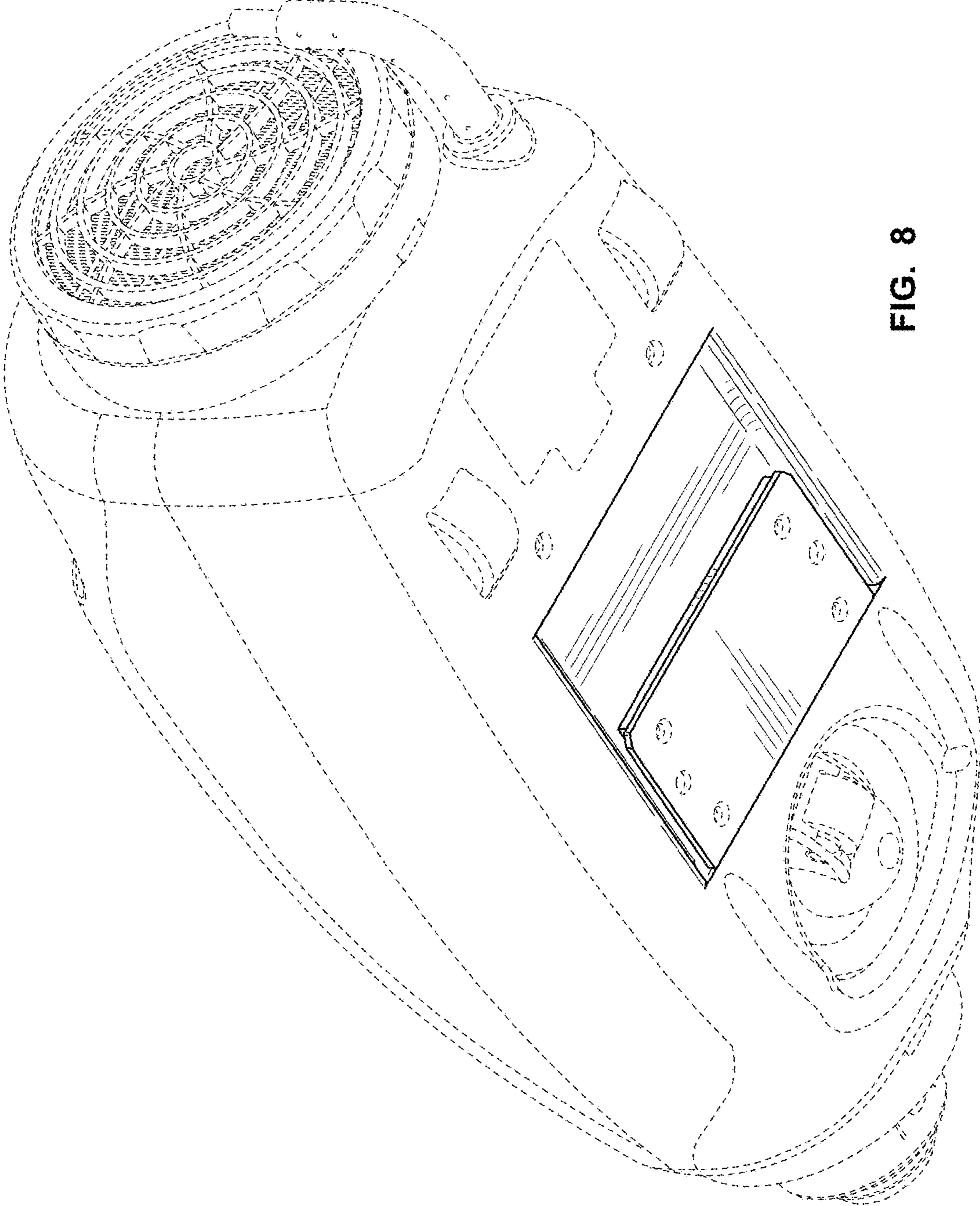


FIG. 8