



US00D817360S

(12) **United States Design Patent** (10) **Patent No.:** **US D817,360 S**  
**Dietzsch** (45) **Date of Patent:** **\*\* May 8, 2018**

(54) **DOUBLE DIAPHRAGM PUMP**

(74) *Attorney, Agent, or Firm* — Karish & Bjorgum, PC

(71) Applicant: **WILDEN PUMP AND ENGINEERING LLC**, Grand Terrace, CA (US)

(57) **CLAIM**

The ornamental design for a double diaphragm pump, as shown and described.

(72) Inventor: **Curtis Dietzsch**, Riverside, CA (US)

**DESCRIPTION**

(73) Assignee: **WILDEN PUMP AND ENGINEERING LLC**, Grand Terrace, CA (US)

(\*\*) Term: **15 Years**

(21) Appl. No.: **29/591,723**

(22) Filed: **Jan. 23, 2017**

(51) **LOC (11) Cl.** ..... **02-07**

(52) **U.S. Cl.**  
USPC ..... **D15/7**

(58) **Field of Classification Search**  
USPC ..... D15/7-9; D23/231, 232, 225; 417/60, 417/235, 265, 321, 355, 358, 363, 359, 417/410.1, 415-416, 405, 900, 269, 539; 60/408, 412; 184/26-37; 415/140-147; 123/495, 509; 137/565.34

(Continued)

(56) **References Cited**

U.S. PATENT DOCUMENTS

D239,210 S \* 3/1976 Marlow ..... D15/7  
D275,858 S 10/1984 Wilden

(Continued)

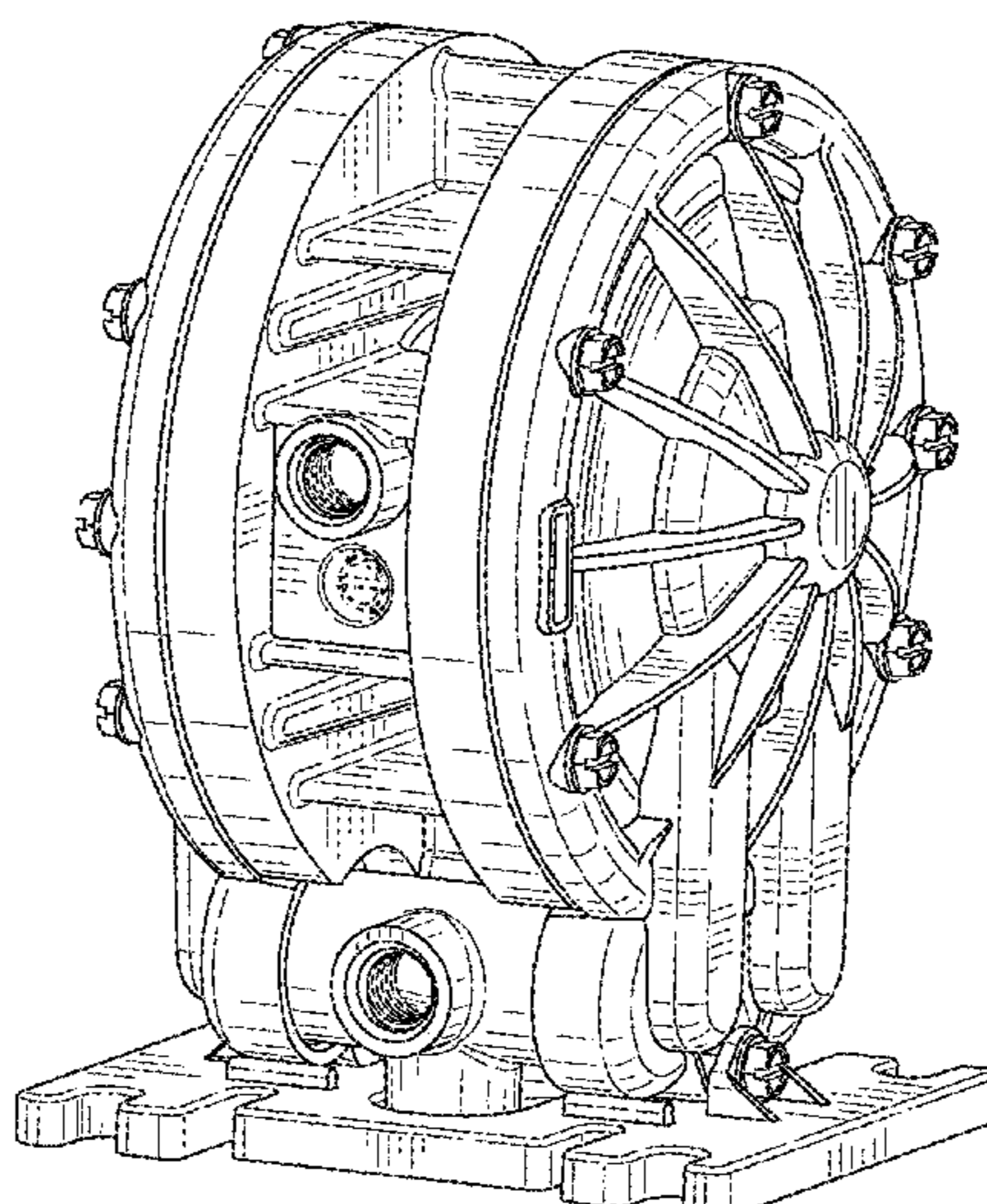
OTHER PUBLICATIONS

Wilden catalog image compilation (images predate above identified invention).

(Continued)

*Primary Examiner* — Ralf Seifert

**1 Claim, 13 Drawing Sheets**



(58) **Field of Classification Search**

CPC ..... F02M 37/04; F02M 37/14; F04B 53/92;  
F04B 1/005; F04D 13/06; F04D 29/22;  
F04D 29/046; F04D 29/2266

See application file for complete search history.

(56) **References Cited**

U.S. PATENT DOCUMENTS

D294,946 S	3/1988	Wilden	
D331,412 S	12/1992	Wilden	
D382,277 S *	8/1997	Feitel	..... D15/7
D448,778 S *	10/2001	Iwata	..... D15/7
D498,766 S *	11/2004	Iwata	..... D15/7
D499,116 S *	11/2004	Iwata	..... D15/7
D512,441 S *	12/2005	Iwata	..... D15/7
D707,259 S *	6/2014	Timmer	..... D15/7

OTHER PUBLICATIONS

Wilden manual image compilation (images predate above identified invention).

\* cited by examiner

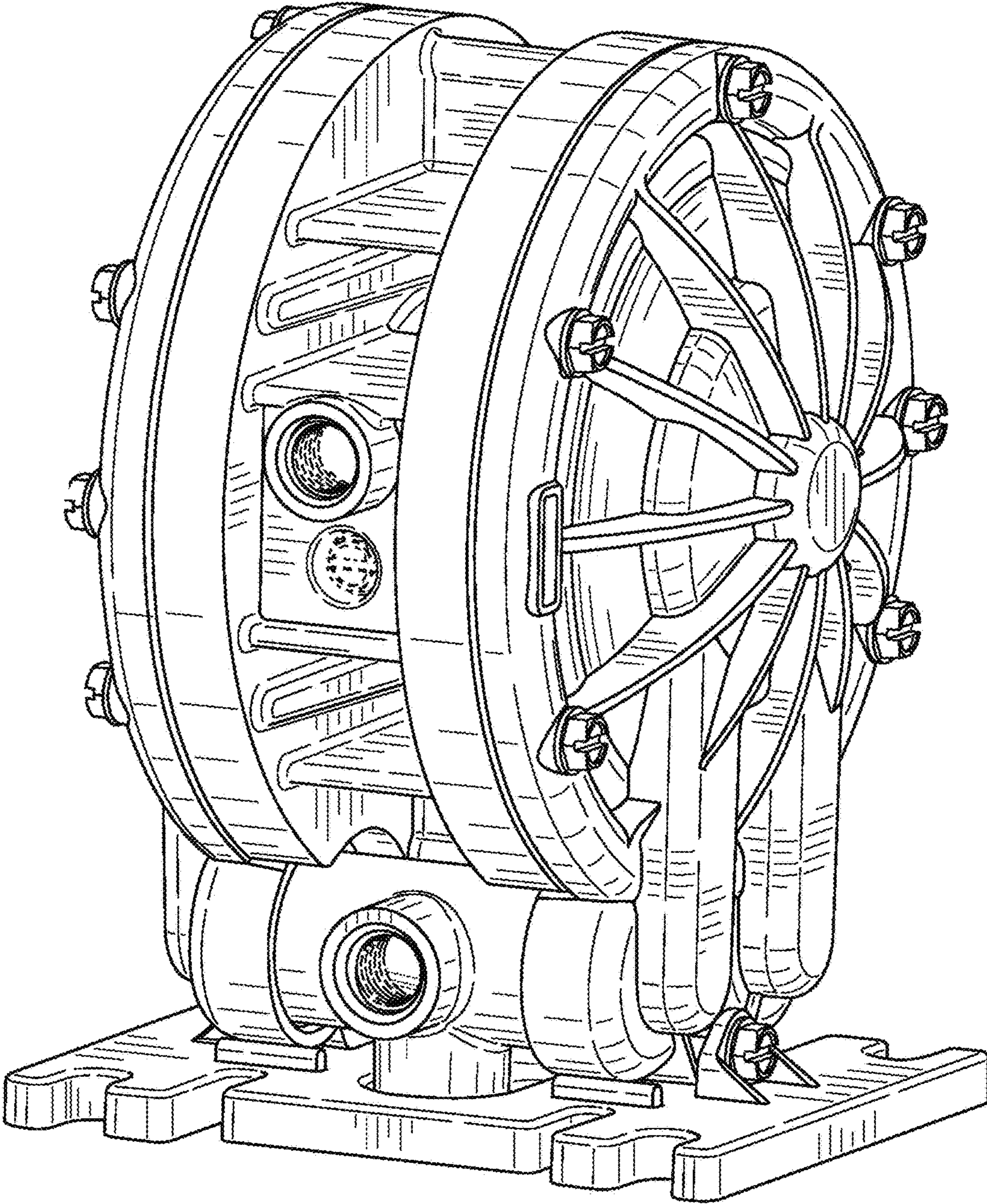


FIG. 1

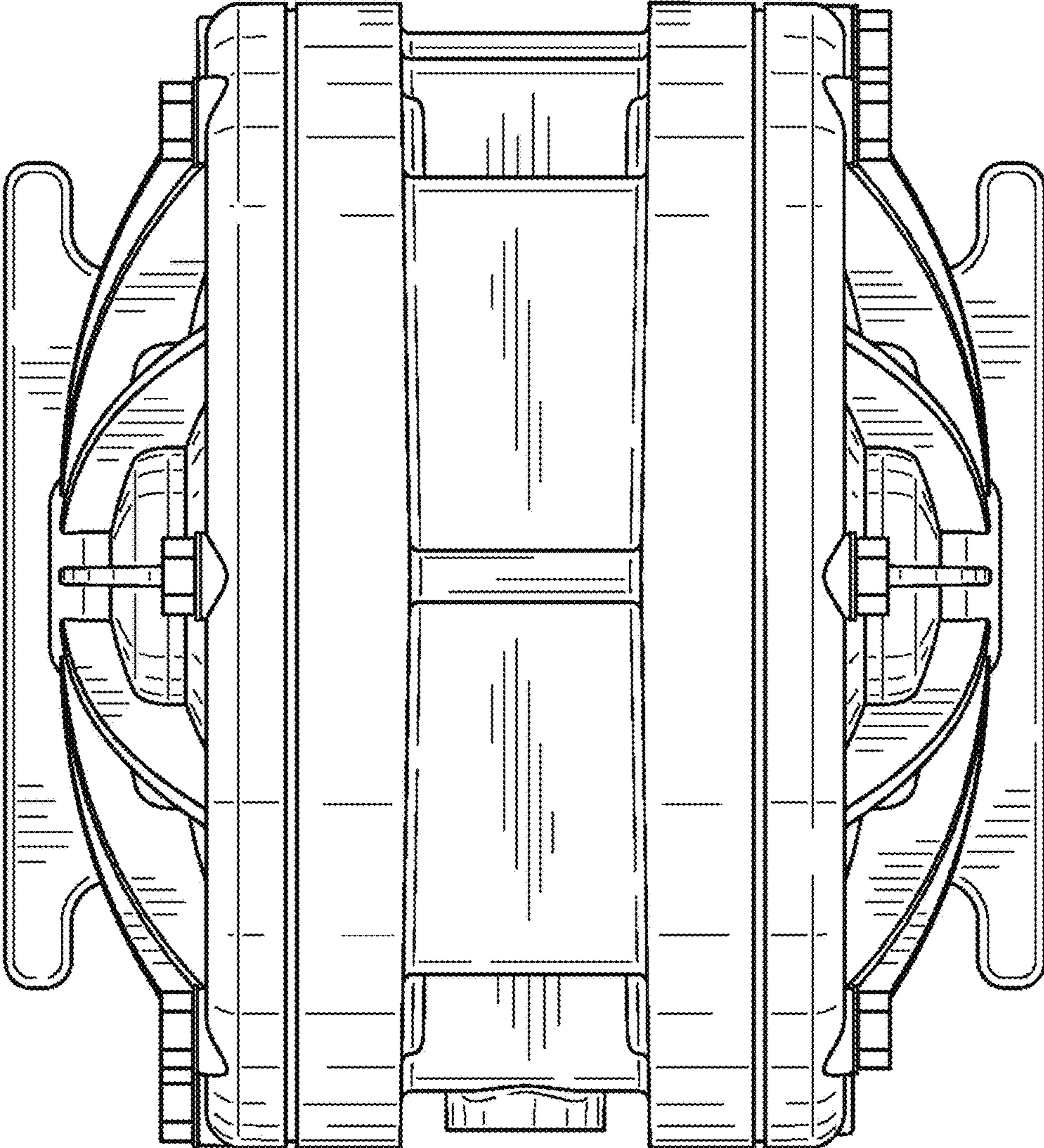


FIG. 2

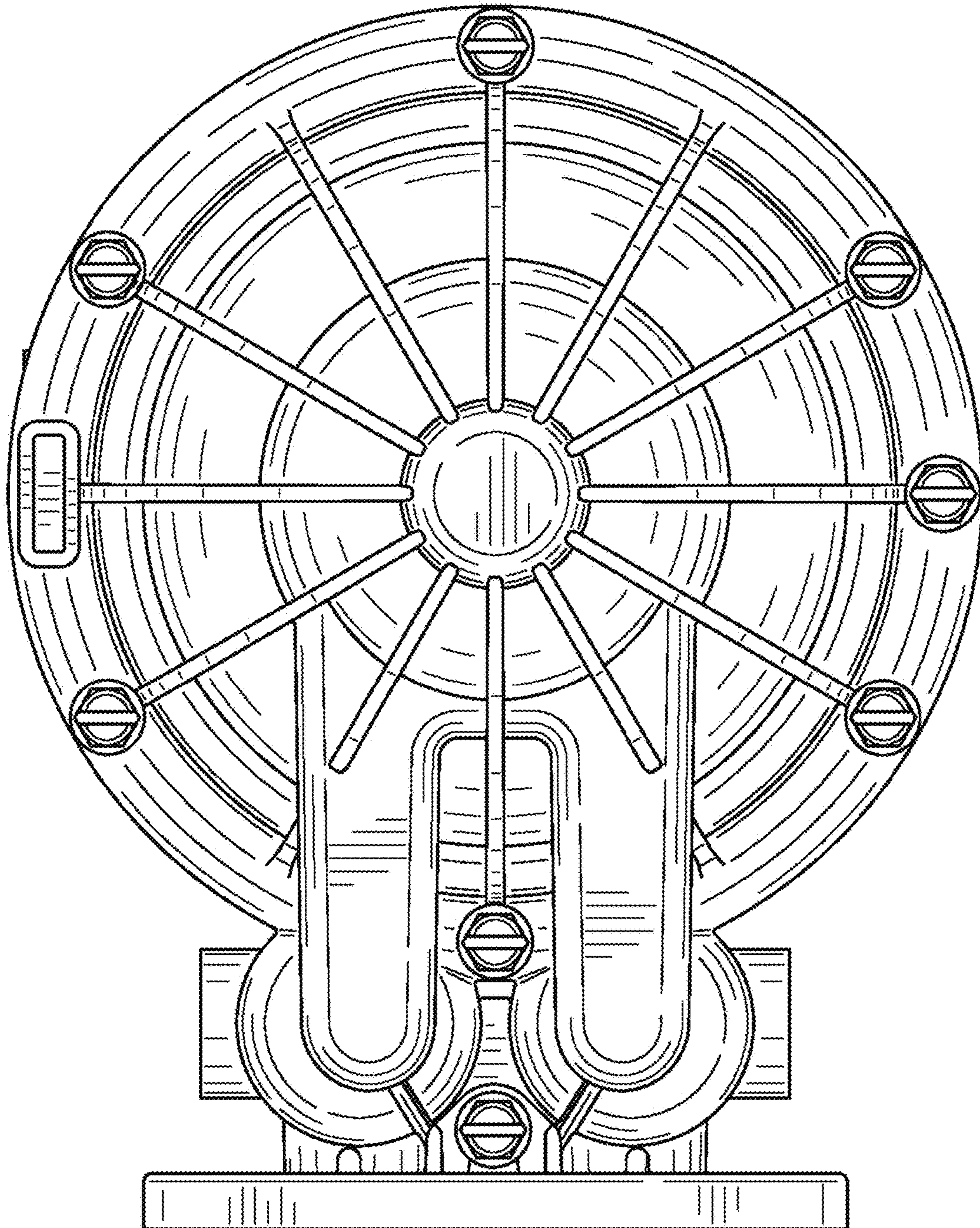


FIG. 3

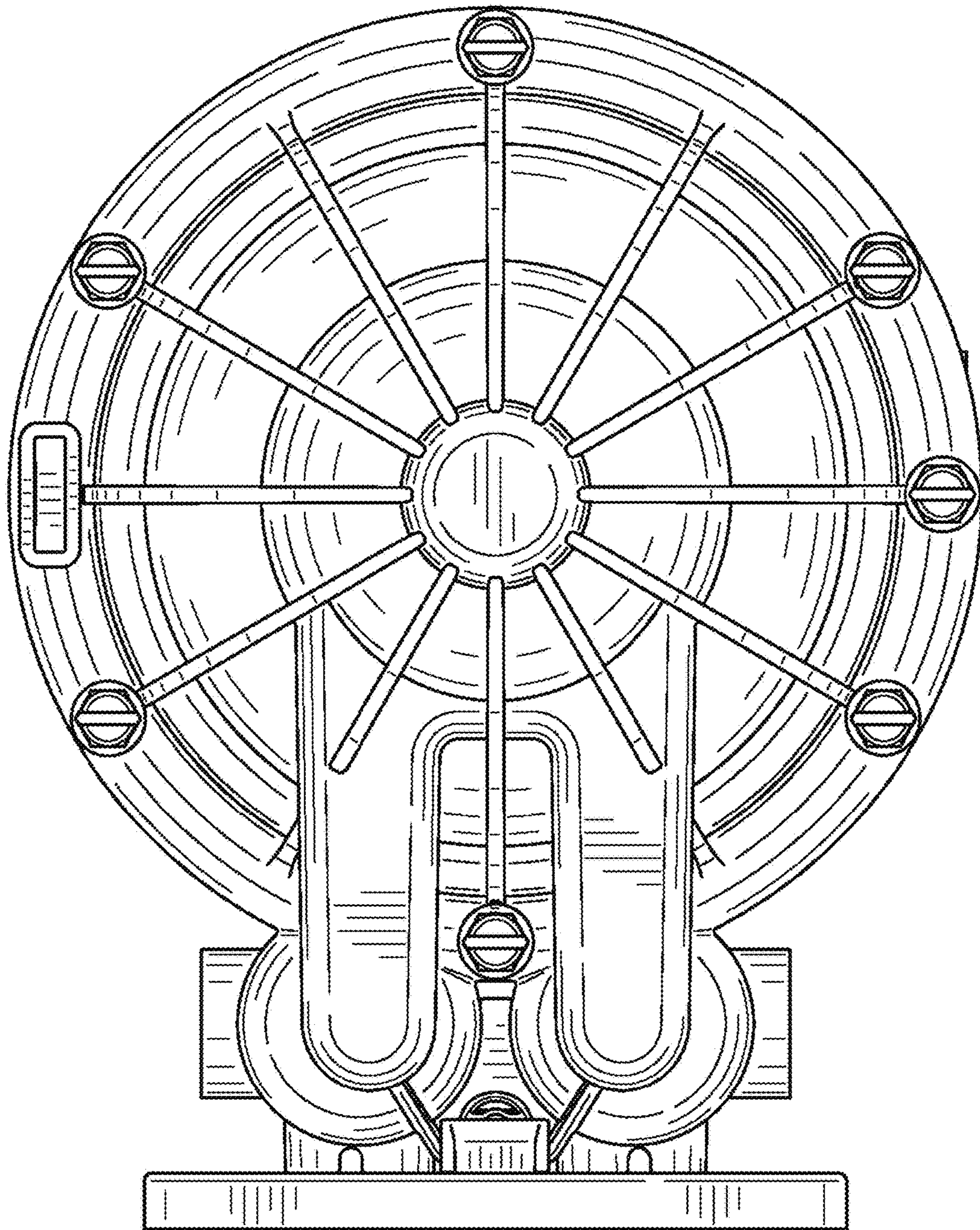


FIG. 4

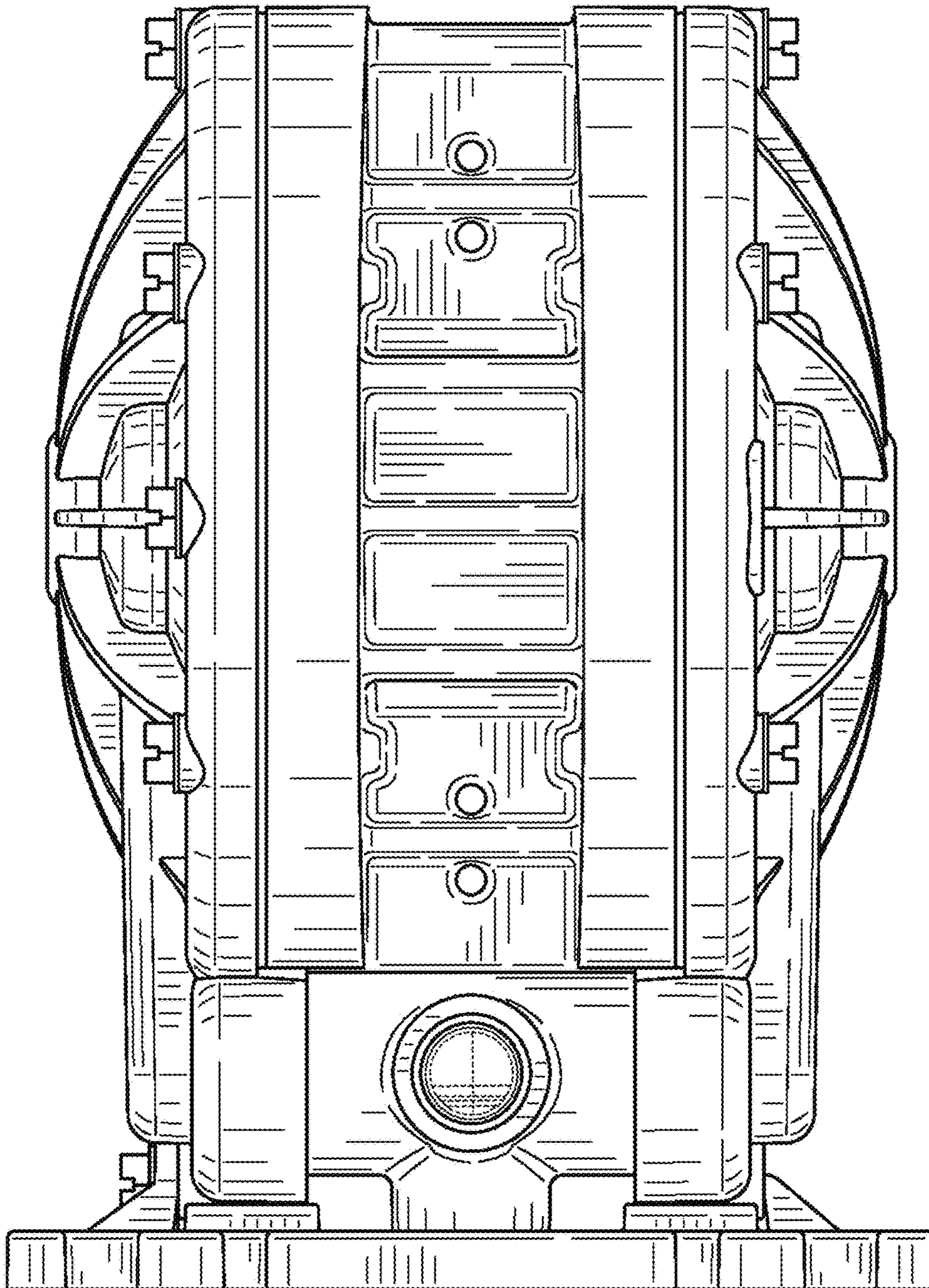


FIG. 5

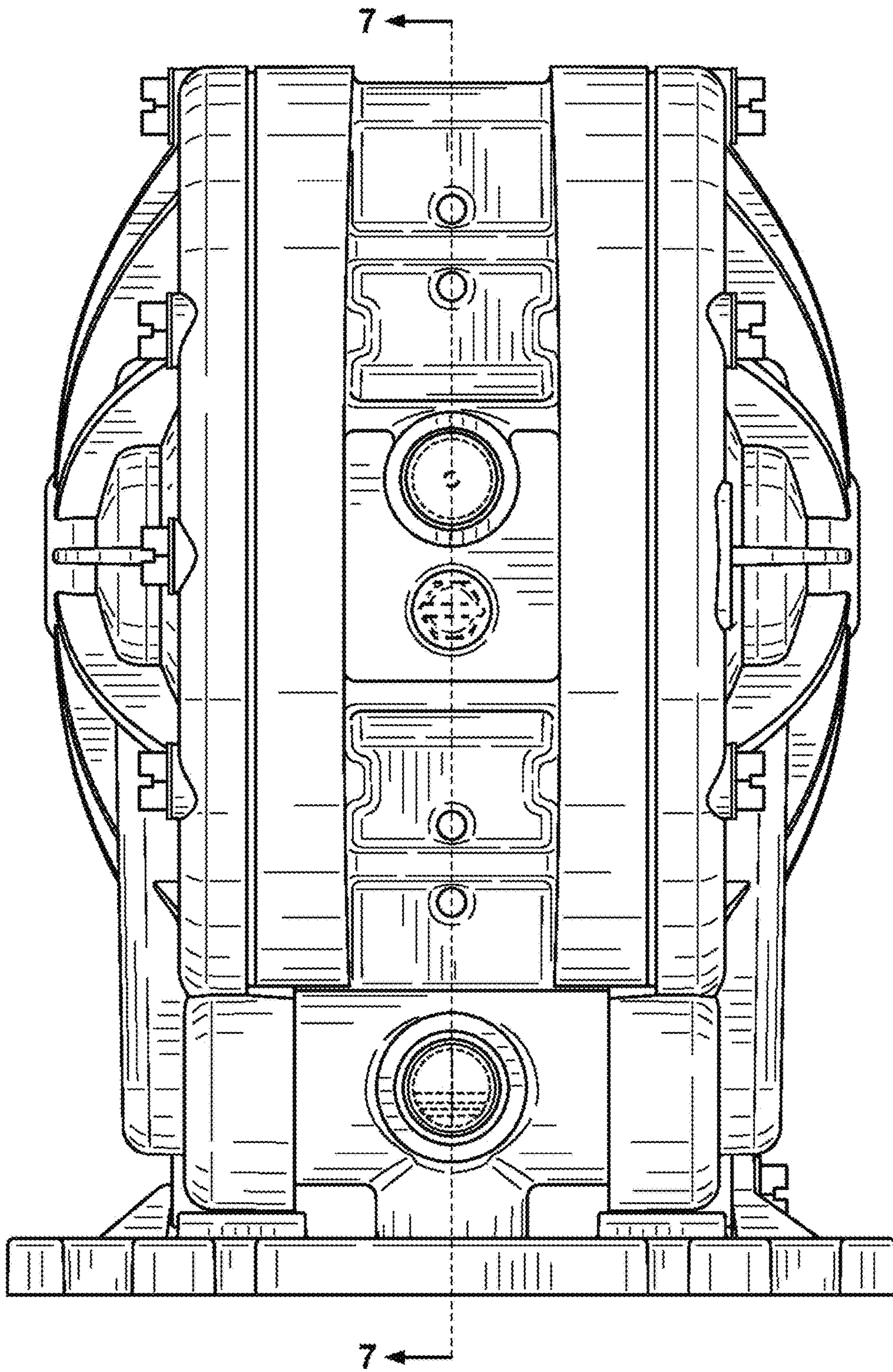


FIG. 6



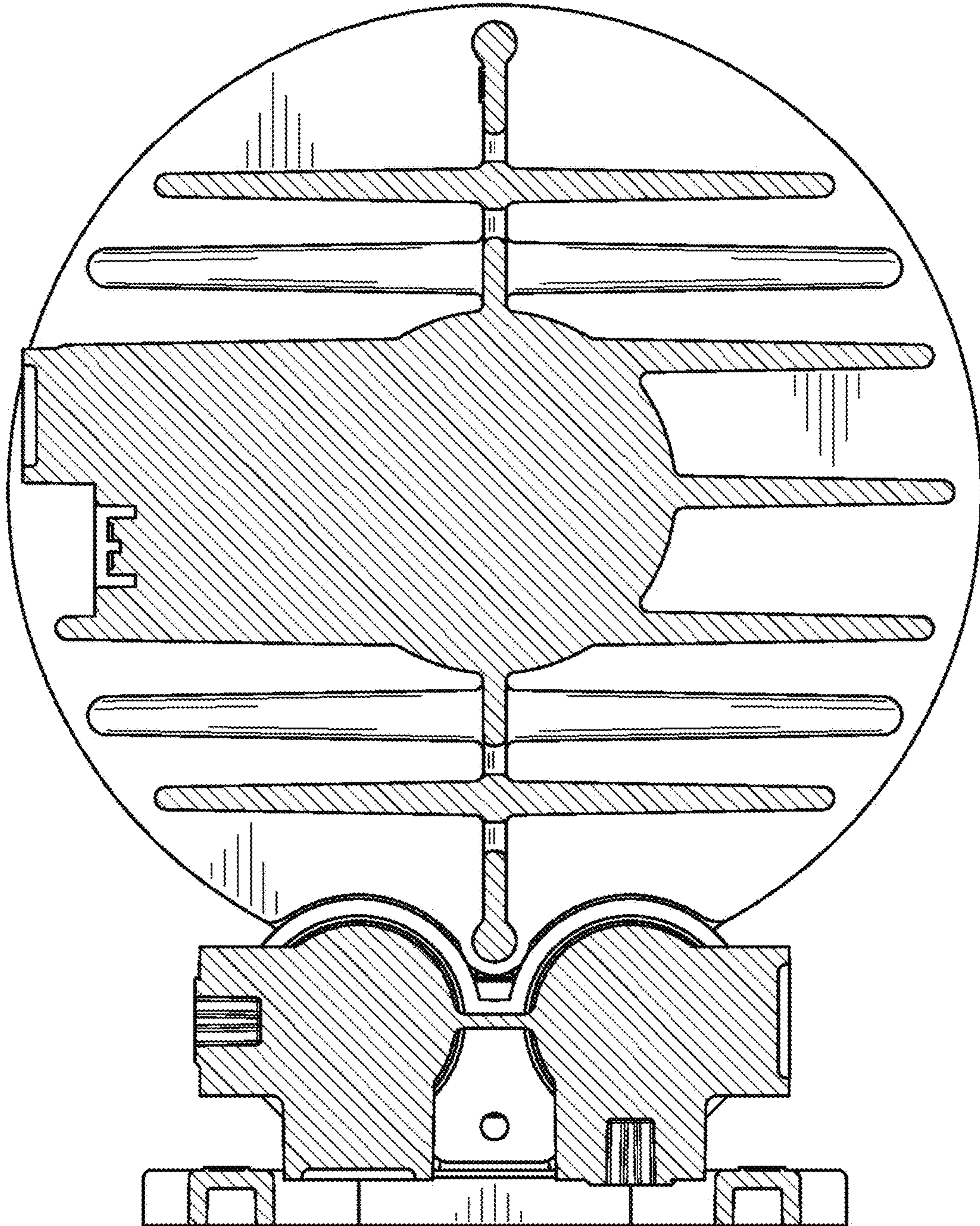


FIG. 7

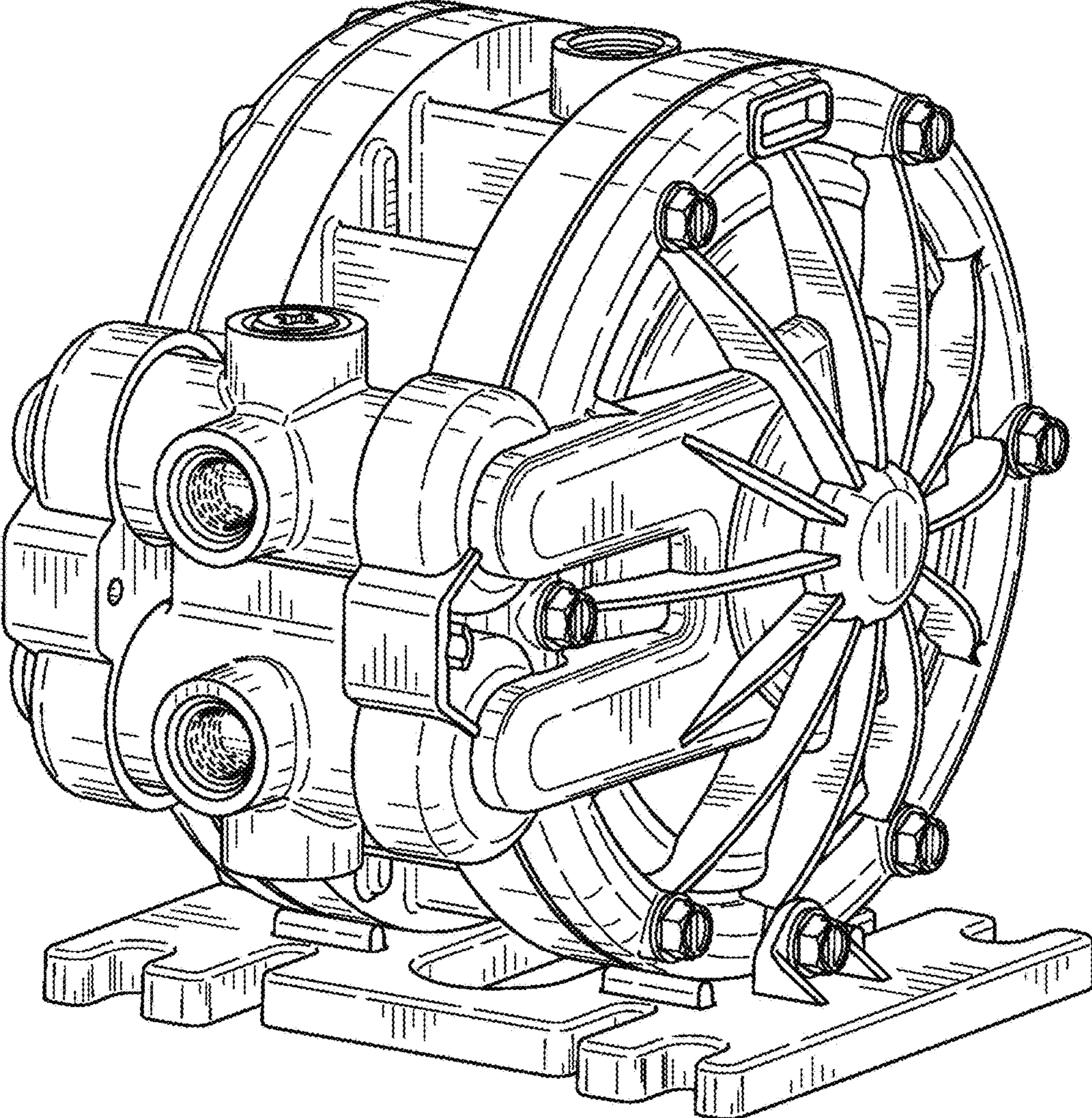


FIG. 8

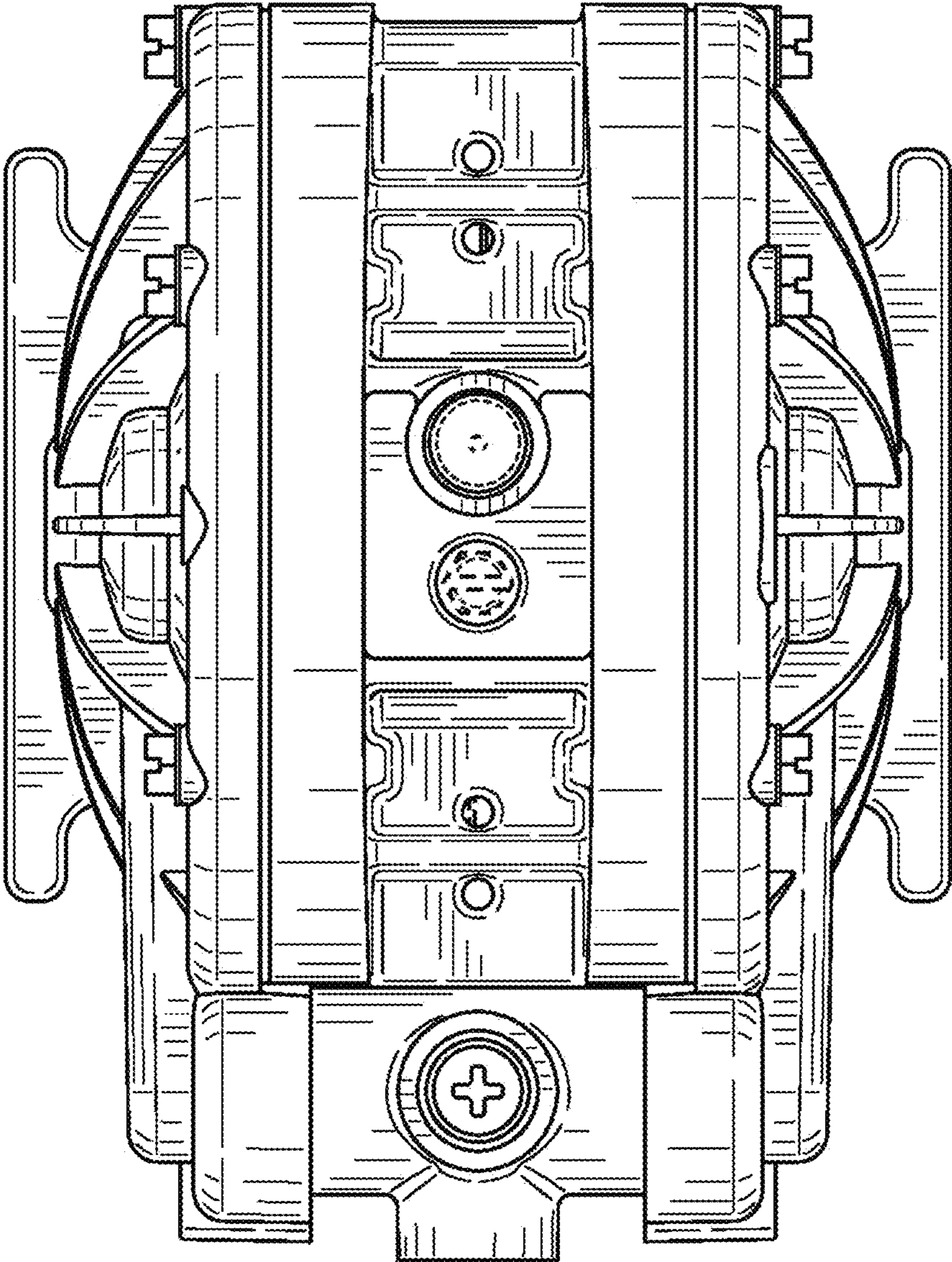


FIG. 9

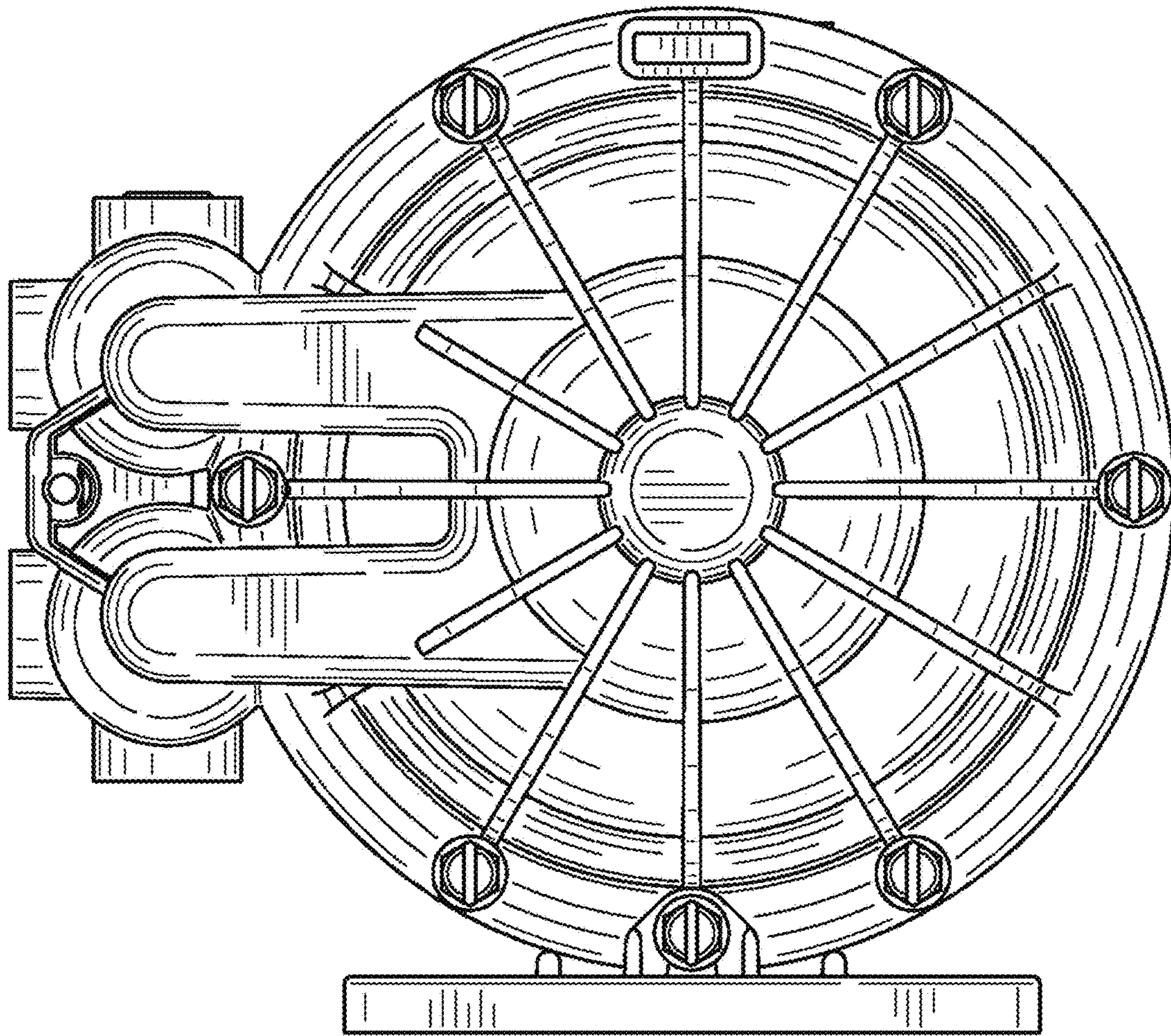


FIG. 10

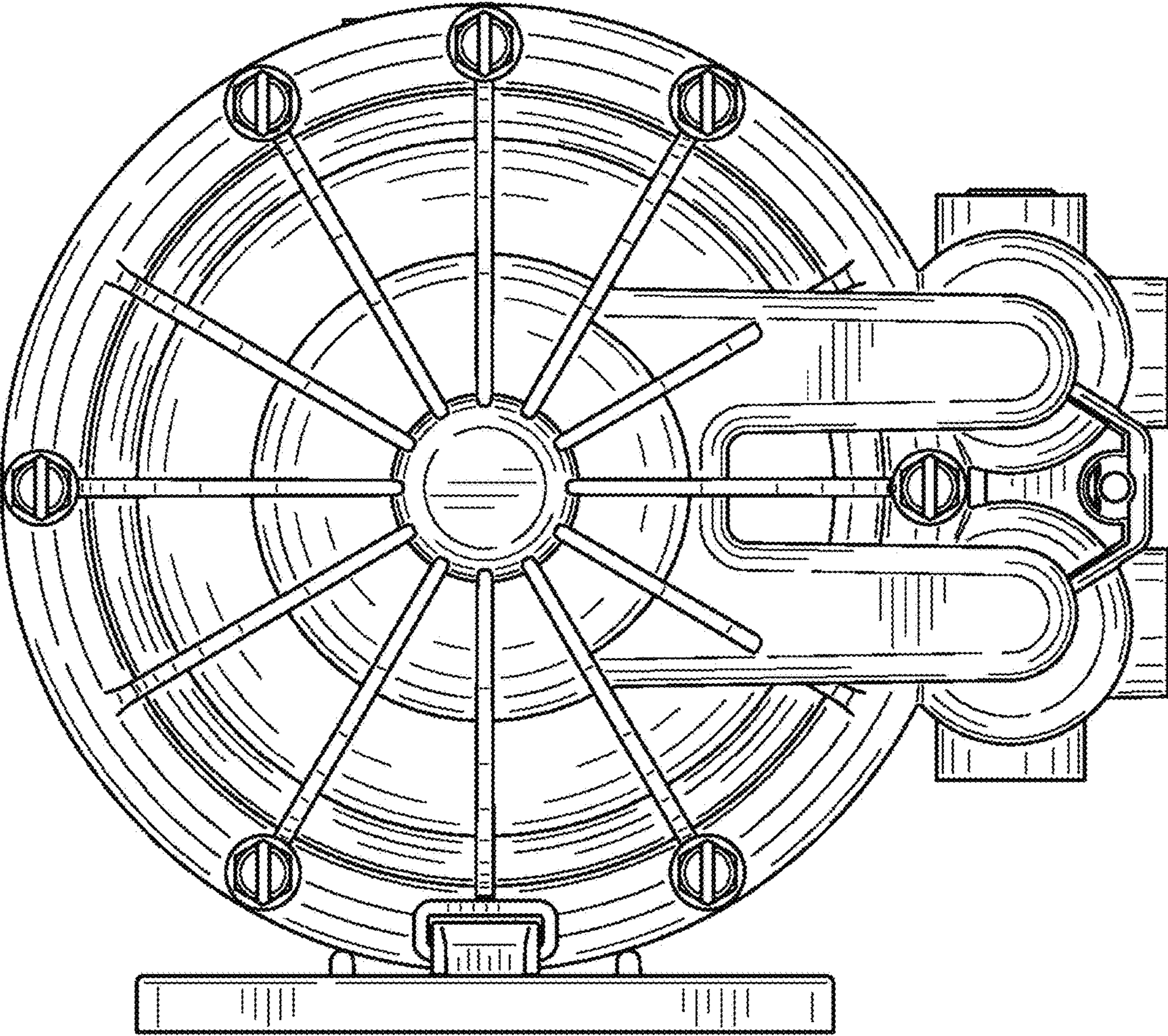


FIG. 11

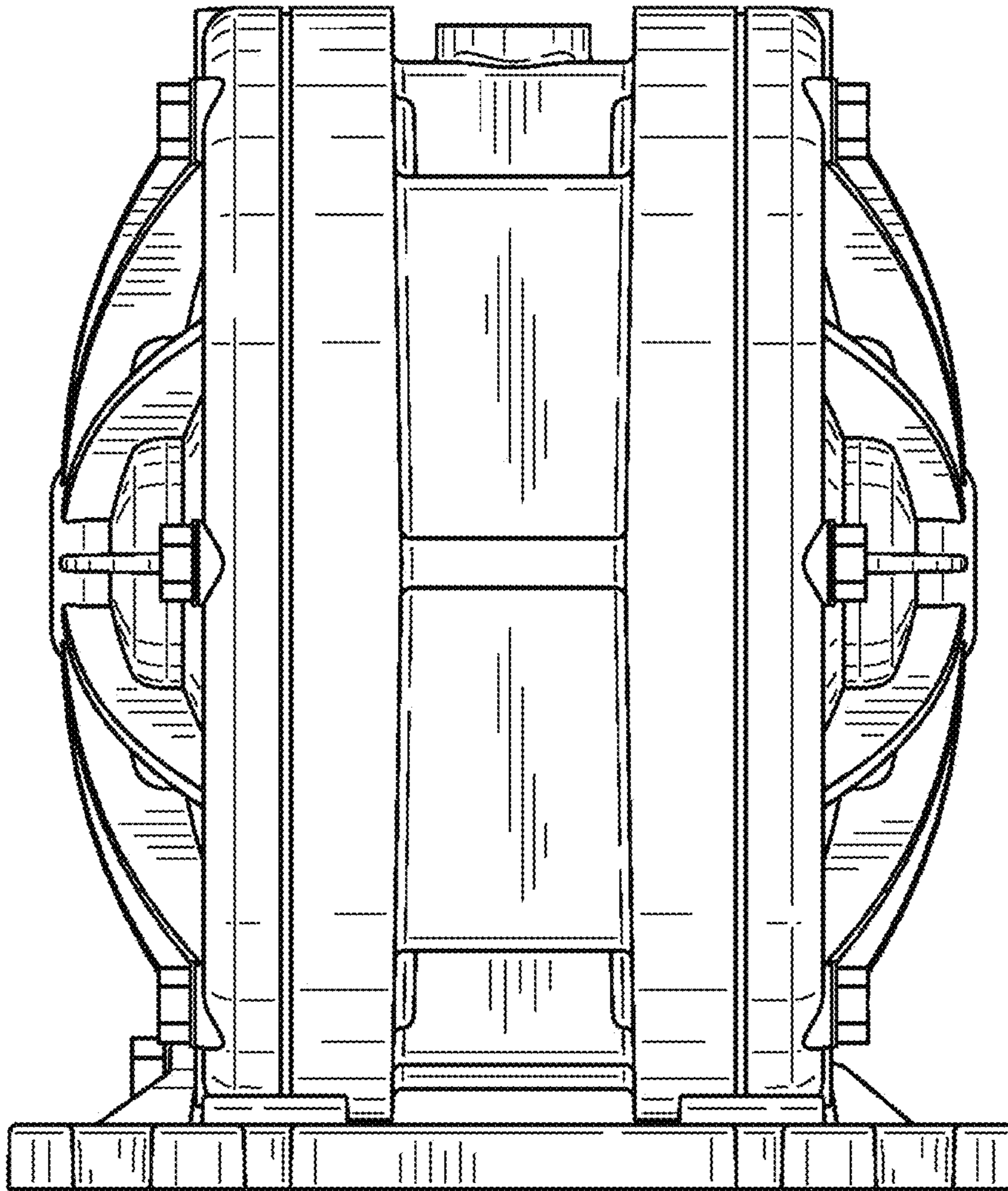


FIG. 12

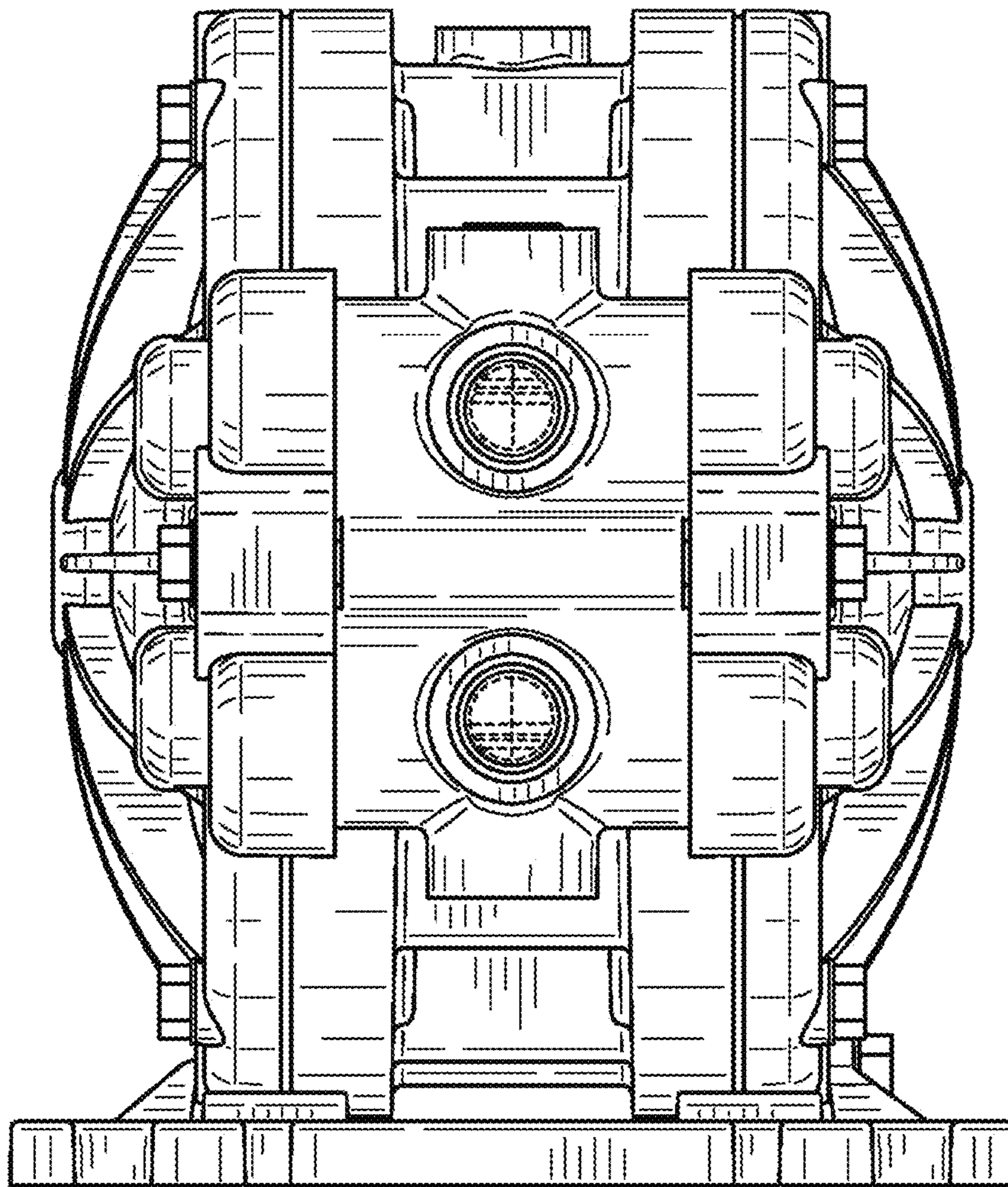


FIG. 13