

US00D817359S

(12) **United States Design Patent**
Mihara

(10) **Patent No.:** **US D817,359 S**
(45) **Date of Patent:** **** May 8, 2018**

(54) **MULTIMEDIA PLAYER FOR AUTOMOBILE**

(71) Applicant: **JVC KENWOOD Corporation**,
Yokohama-shi, Kanagawa (JP)

(72) Inventor: **Masaya Mihara**, Yokohama (JP)

(73) Assignee: **JVC KENWOOD Corporation**,
Yokohama-shi (JP)

(**) Term: **15 Years**

(21) Appl. No.: **29/595,385**

(22) Filed: **Feb. 28, 2017**

(30) **Foreign Application Priority Data**

Sep. 20, 2016 (JP) 2016-020221

(51) **LOC (11) Cl.** **14-03**

(52) **U.S. Cl.**
USPC **D14/496; D14/203.1; D14/203.7**

(58) **Field of Classification Search**
USPC D14/496, 401, 435, 474, 483, 217, 137,
D14/138, 160, 168, 356, 203.1–203.8,
D14/507; 345/156, 169, 173–179, 905;
715/727–729, 864; 710/1, 5, 8; 713/1,
713/600; 455/1.1, 1.7, 73, 344–347, 93,
455/95, 3.01–3.06, 550.1, 573.1;
370/342–344; 369/1, 2, 6–12;
463/43–47; 273/148 B
CPC .. G06F 19/00; G09G 5/00; B60R 7/04; B60R
11/02; B60R 11/0217
See application file for complete search history.

(56) **References Cited**

U.S. PATENT DOCUMENTS

5,689,077 A * 11/1997 Jasinski G09B 15/002
84/477 R
8,408,466 B2 * 4/2013 Gratton G06Q 30/0207
235/462.1

8,553,146 B2 * 10/2013 Kennedy G06T 1/0085
235/462.05
8,571,245 B2 * 10/2013 Takagi A61B 5/121
381/321
8,786,410 B2 * 7/2014 Beals H04N 21/42225
340/12.1
D724,048 S * 3/2015 Tomono D14/131
D737,859 S * 9/2015 Morikawa D14/203.1
D741,834 S * 10/2015 Kimura D14/203.7
D745,857 S * 12/2015 Funayama D14/203.7
D762,189 S * 7/2016 Kitamura D14/203.7
D775,604 S * 1/2017 Kimura D14/203.7
D783,608 S * 4/2017 Park D14/203.4

* cited by examiner

Primary Examiner — Prabhakar Deshmukh

(74) *Attorney, Agent, or Firm* — Amin, Turocy & Watson
LLP

(57) **CLAIM**

The ornamental design for a multimedia player for automobile, as shown and described.

DESCRIPTION

FIG. 1 is a front and left side perspective view of a multimedia player for automobile showing my new design; FIG. 2 is a front elevational view thereof; FIG. 3 is a rear elevational view thereof; FIG. 4 is a top plan view thereof; FIG. 5 is a bottom plan view thereof; FIG. 6 is a right side elevational view thereof; and, FIG. 7 is a left side elevational view thereof. The broken lines depict portions of the multimedia player for automobile in which the design is embodied that form no part of the claimed design.

1 Claim, 5 Drawing Sheets

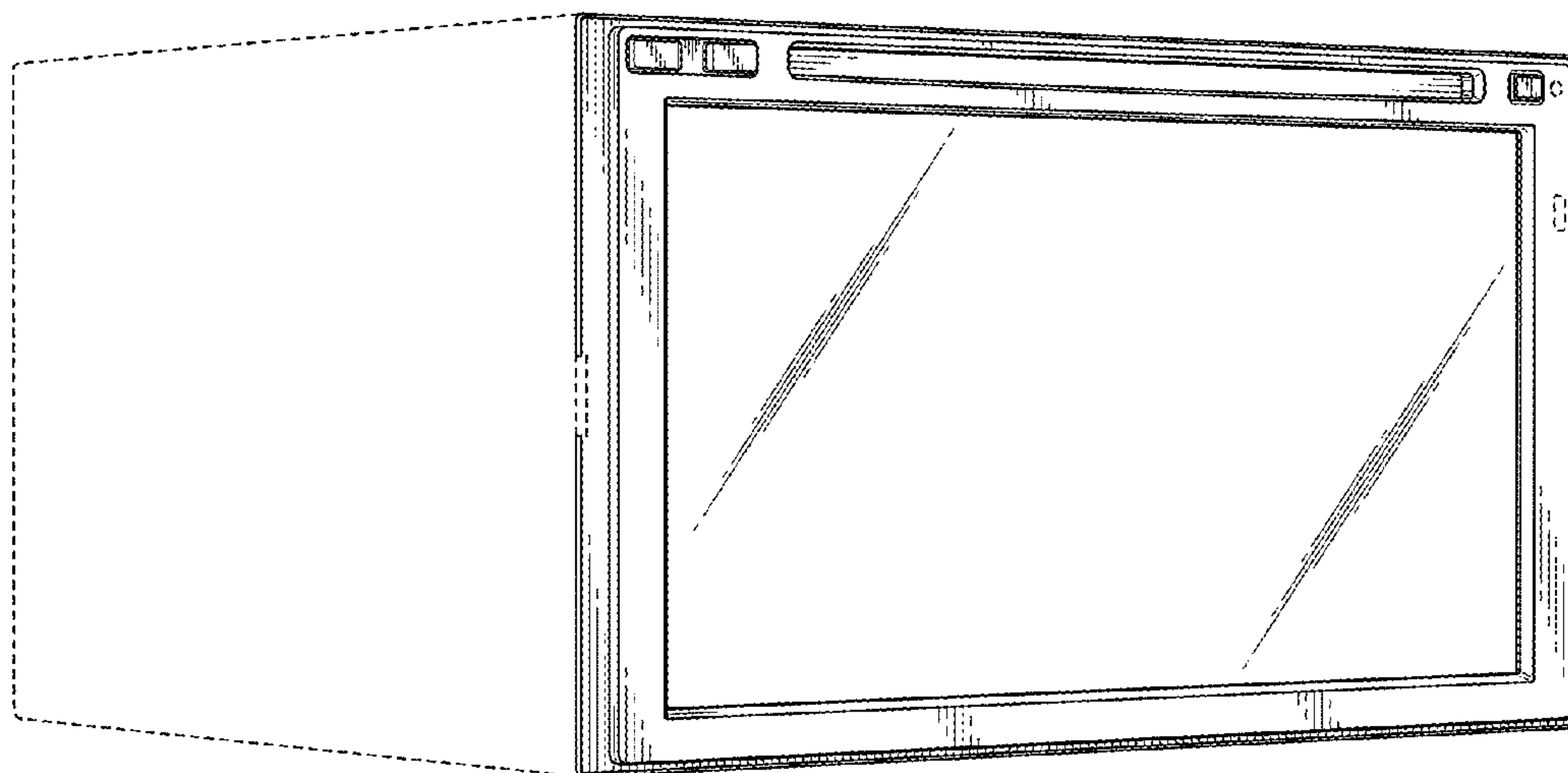


FIG. 1

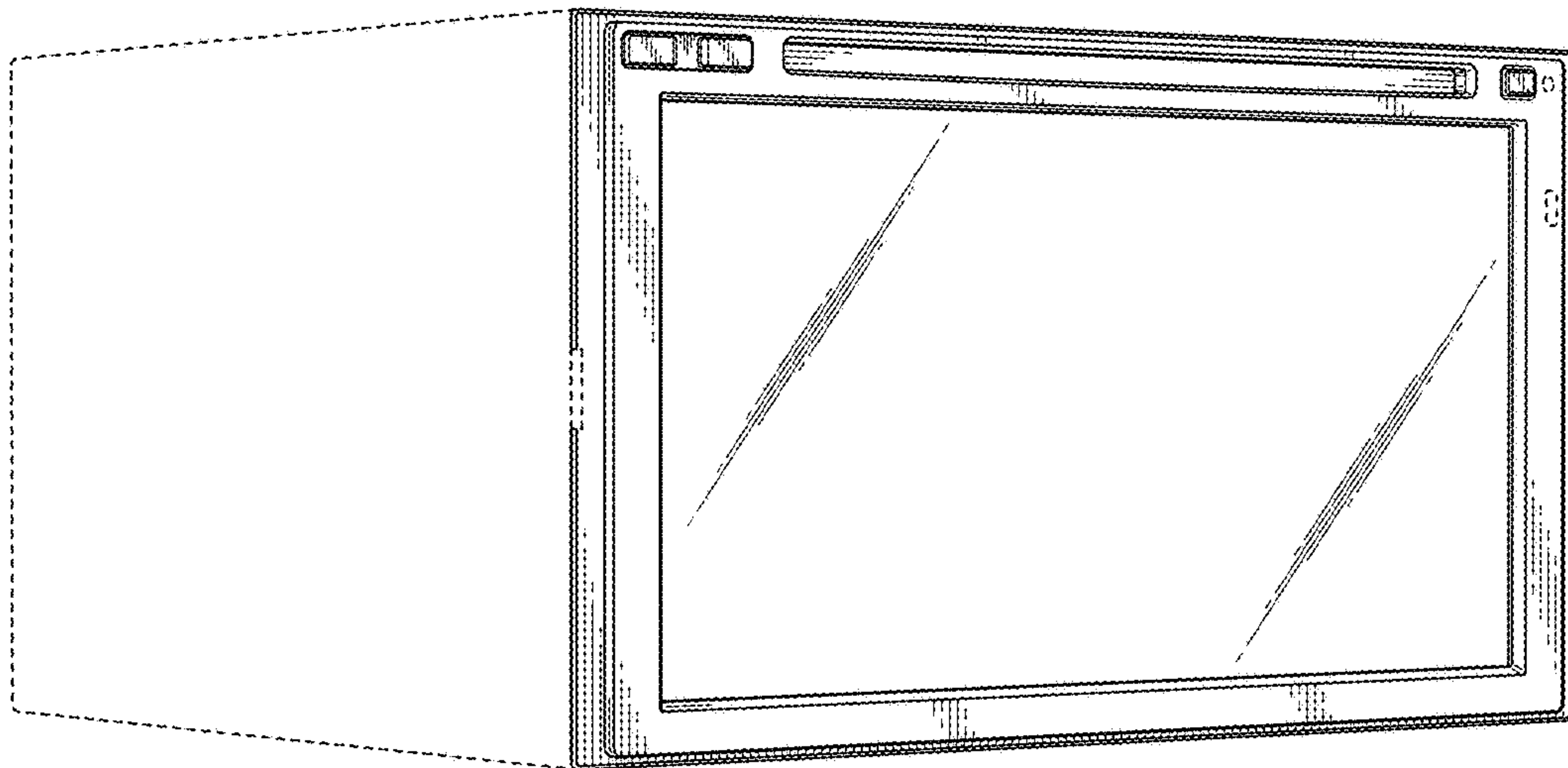


FIG. 2

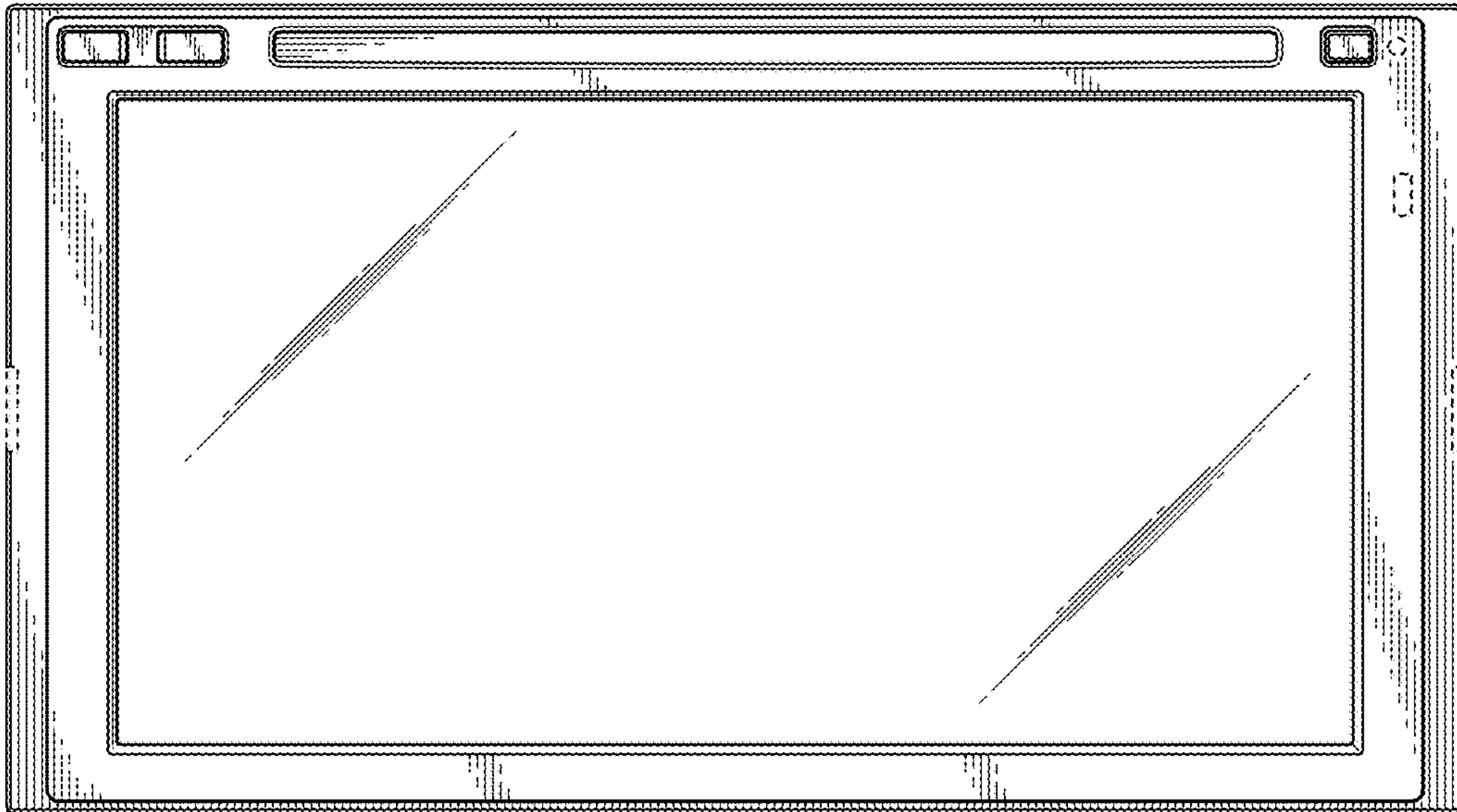


FIG. 3



FIG. 4

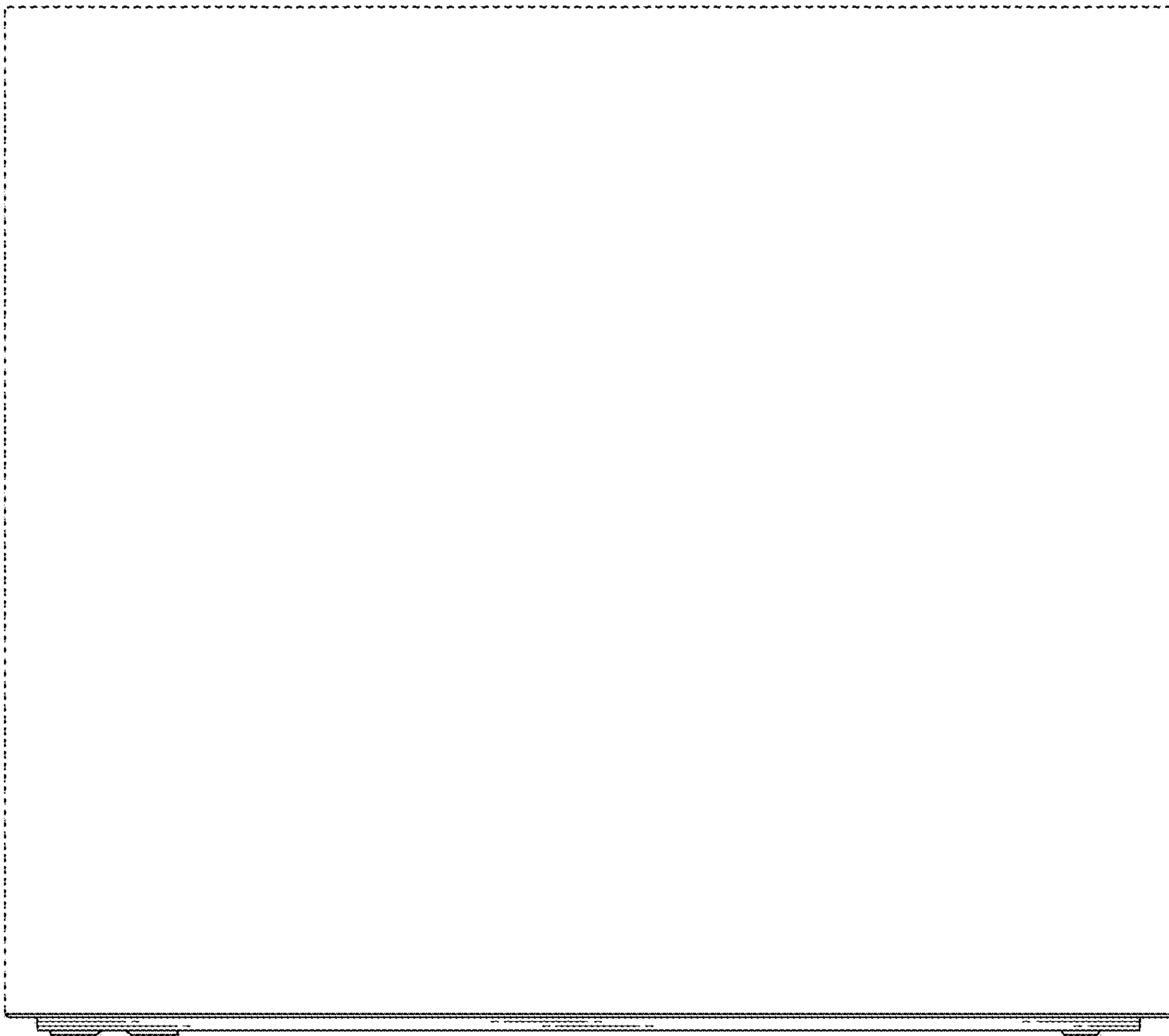


FIG. 5

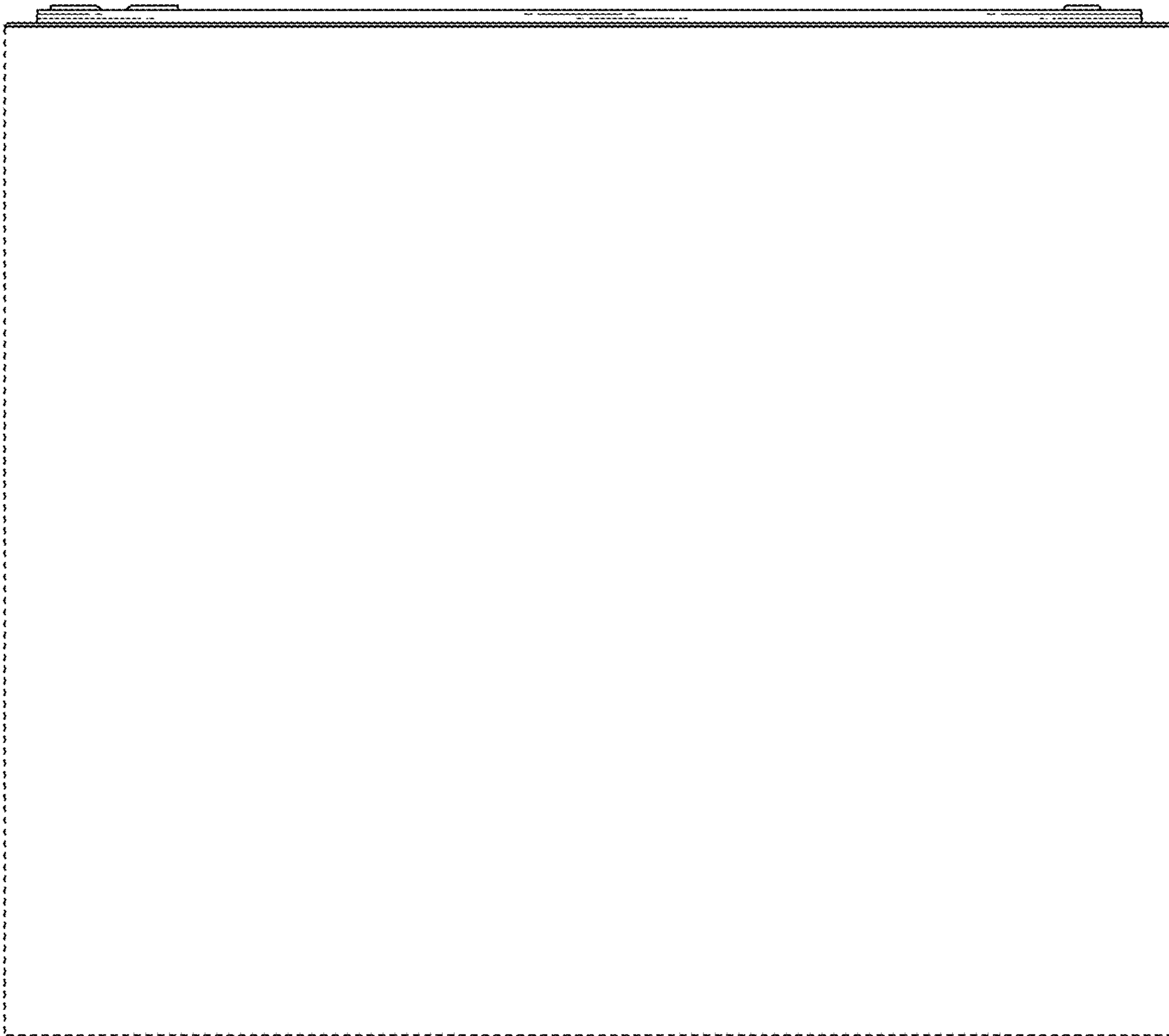


FIG. 6



FIG. 7

