



US00D817358S

(12) **United States Design Patent**
Choe

(10) **Patent No.:** **US D817,358 S**
(45) **Date of Patent:** **** May 8, 2018**

(54) **EVENT DATA RECORDER**
(71) Applicant: **JVC KENWOOD Corporation**,
Yokohama-shi, Kanagawa (JP)
(72) Inventor: **Jeong-ju Choe**, Yokohama (JP)
(73) Assignee: **JVC KENWOOD Corporation**,
Yokohama-shi (JP)
(**) Term: **15 Years**

D535,664 S * 1/2007 Katayama D14/167
D568,316 S * 5/2008 Yano D14/358
D576,621 S * 9/2008 Tanaka D14/358
8,316,691 B2 * 11/2012 Jestic-Stojanovski . A42B 3/046
73/12.04
D700,210 S * 2/2014 Takano D14/496
8,882,663 B1 * 11/2014 Tucker G06F 19/3406
600/300
D727,765 S * 4/2015 Hoshal D10/78
D733,138 S * 6/2015 Moammer D14/203.7
9,738,156 B2 * 8/2017 Plante B60K 35/00
D798,903 S * 10/2017 Isozaki D14/496

* cited by examiner

(21) Appl. No.: **29/595,381**
(22) Filed: **Feb. 28, 2017**

Primary Examiner — Prabhakar Deshmukh
(74) *Attorney, Agent, or Firm* — Amin, Turocy & Watson
LLP

(30) **Foreign Application Priority Data**

Sep. 6, 2016 (JP) 2016-019185

(51) **LOC (11) Cl.** **14-03**
(52) **U.S. Cl.**
USPC **D14/496; D14/203.3**

(57) **CLAIM**

The ornamental design for an event data recorder, as shown and described.

(58) **Field of Classification Search**
USPC D14/496, 401, 435, 474, 483, 217, 137,
D14/138, 160, 168, 356, 203.1–203.8,
D14/507; 345/156, 169, 173–179, 905;
715/727–729, 864; 710/1, 5, 8; 713/1,
713/600; 455/1.1, 1.7, 73, 344–347, 93,
455/95, 3.01–3.06, 550.1, 573.1;
370/342–344; 369/1, 2, 6–12;
463/43–47; 273/148 B
CPC ... H04N 2201/0081; H04N 2201/0082; G07C
5/00; G07C 5/08
See application file for complete search history.

DESCRIPTION

FIG. 1 is a front and right side perspective view of an event data recorder showing my new design;
FIG. 2 is a front and left side perspective view thereof;
FIG. 3 is a front elevational view thereof;
FIG. 4 is a rear elevational view thereof;
FIG. 5 is a top plan view thereof;
FIG. 6 is a bottom plan view thereof;
FIG. 7 is a right side elevational view thereof; and,
FIG. 8 is a left side elevational view thereof.
The broken lines depict portions of the event data recorder in which the design is embodied that form no part of the claimed design. The dot-dash chain broken lines define the boundary of the claimed design and form no part of the claimed design.

(56) **References Cited**

U.S. PATENT DOCUMENTS

6,908,387 B2 * 6/2005 Hedrick G07F 17/0014
463/31
D520,001 S * 5/2006 Katayama D14/358

1 Claim, 5 Drawing Sheets

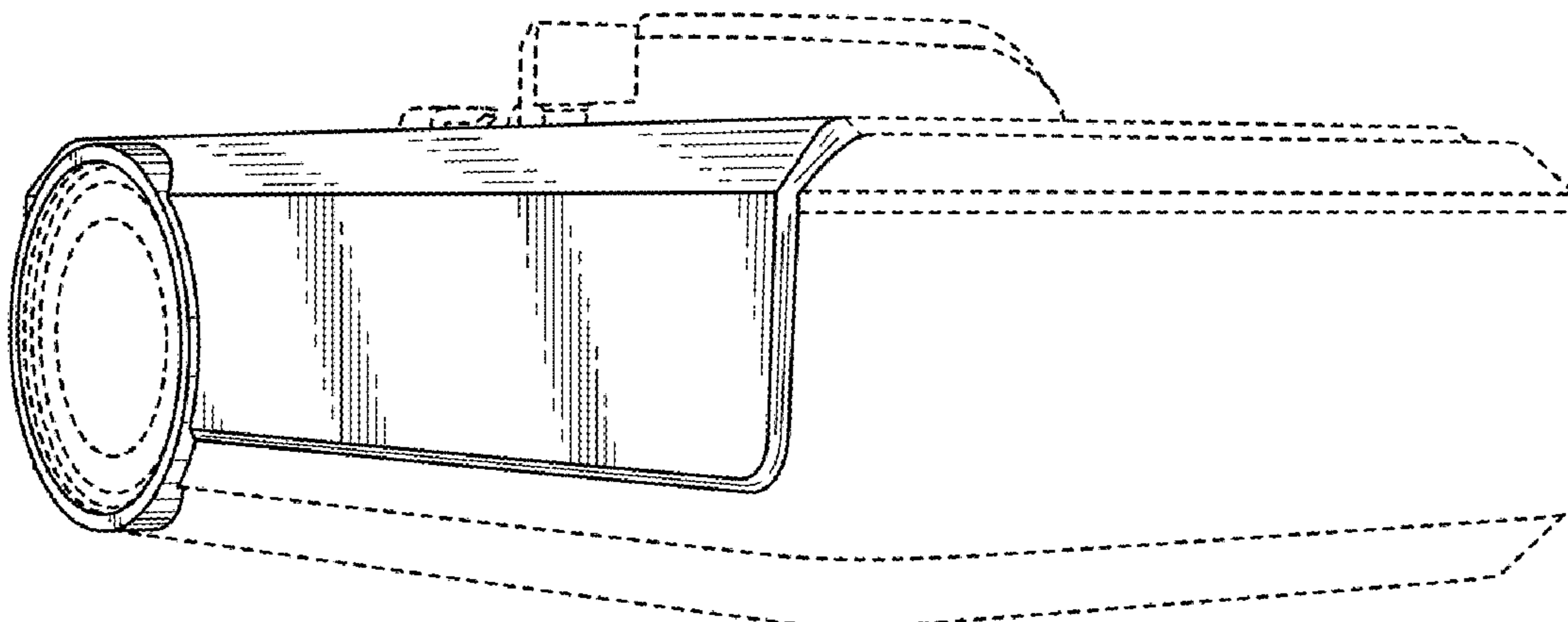


FIG. 1

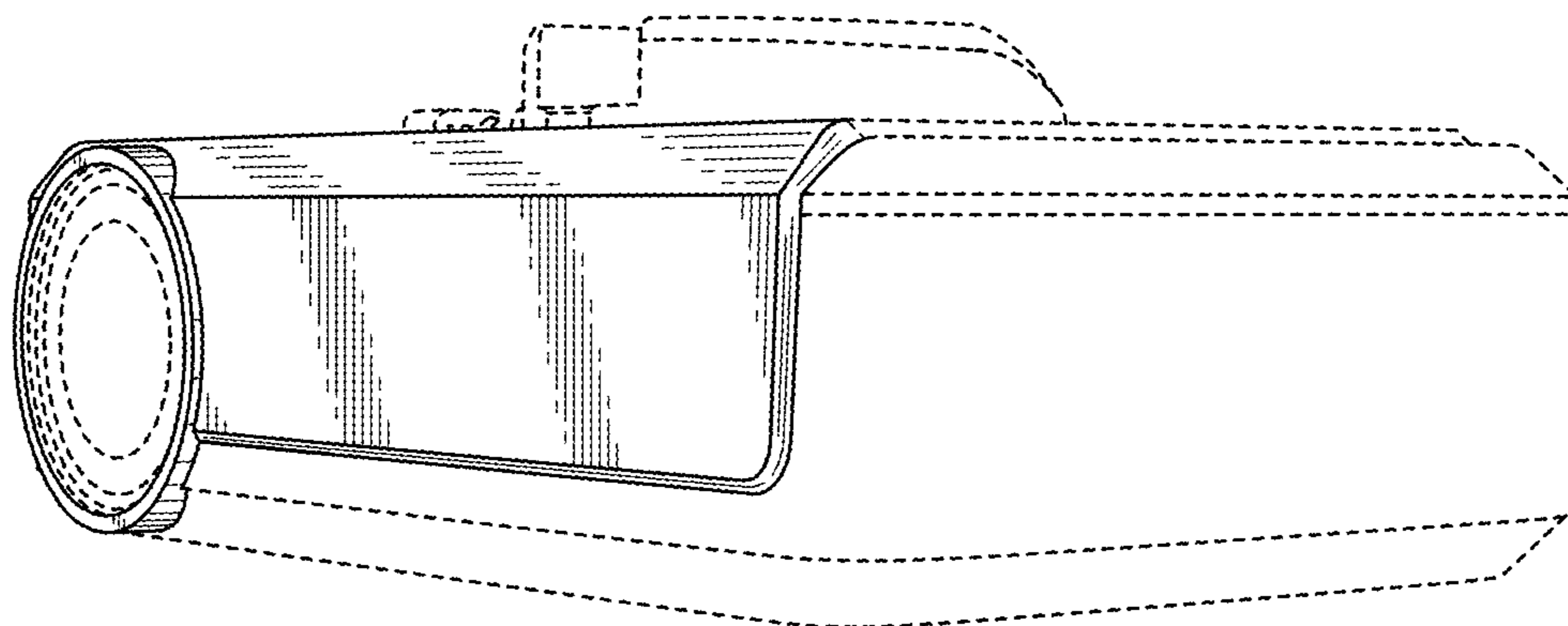


FIG. 2

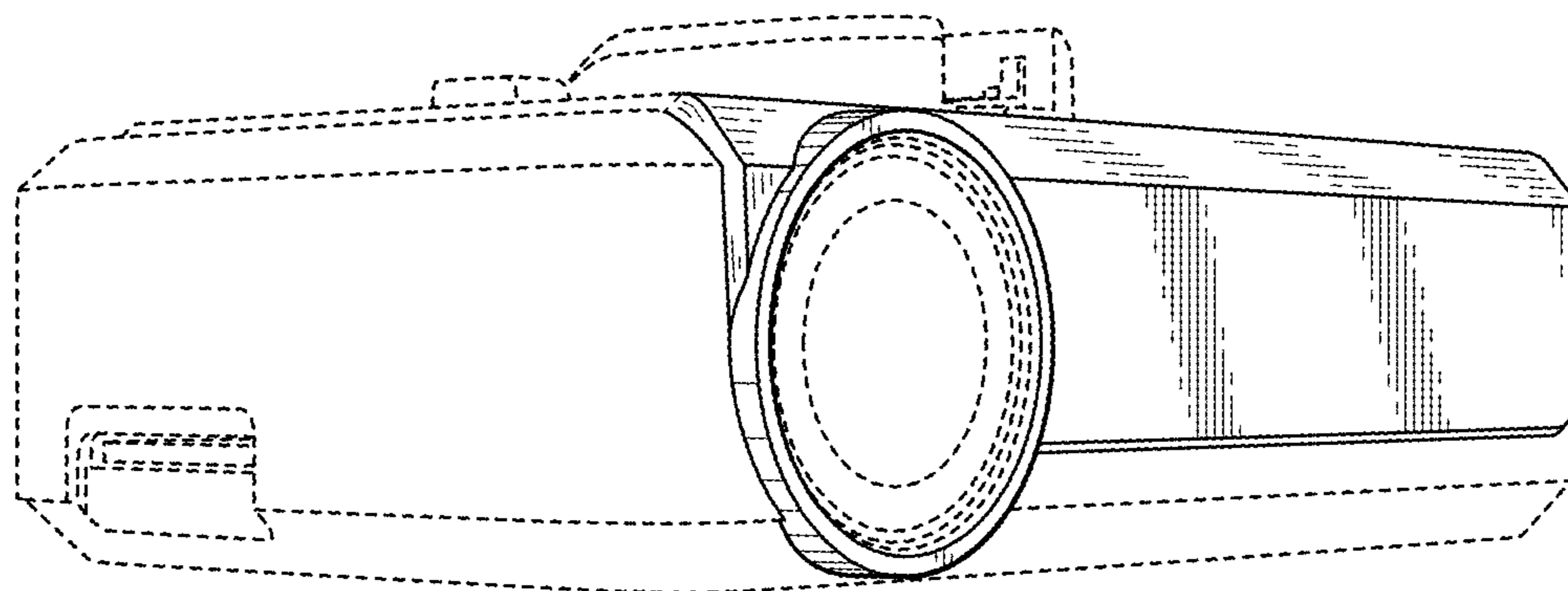


FIG. 3

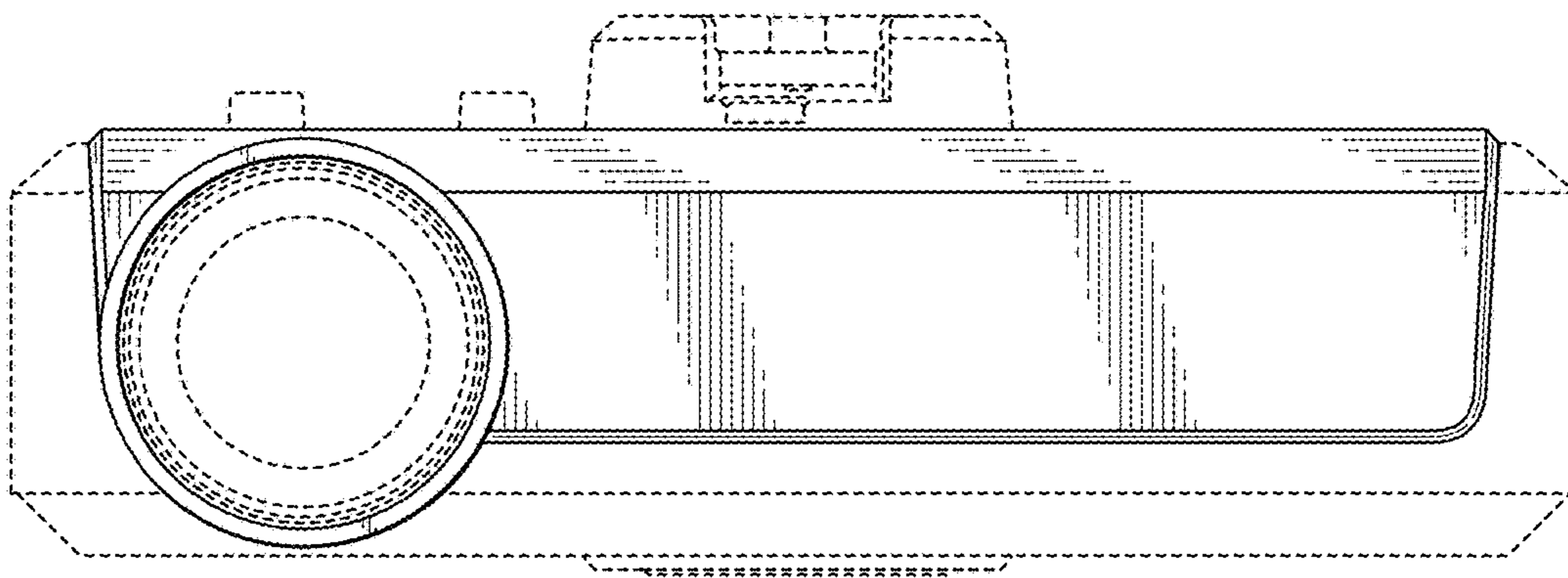


FIG. 4

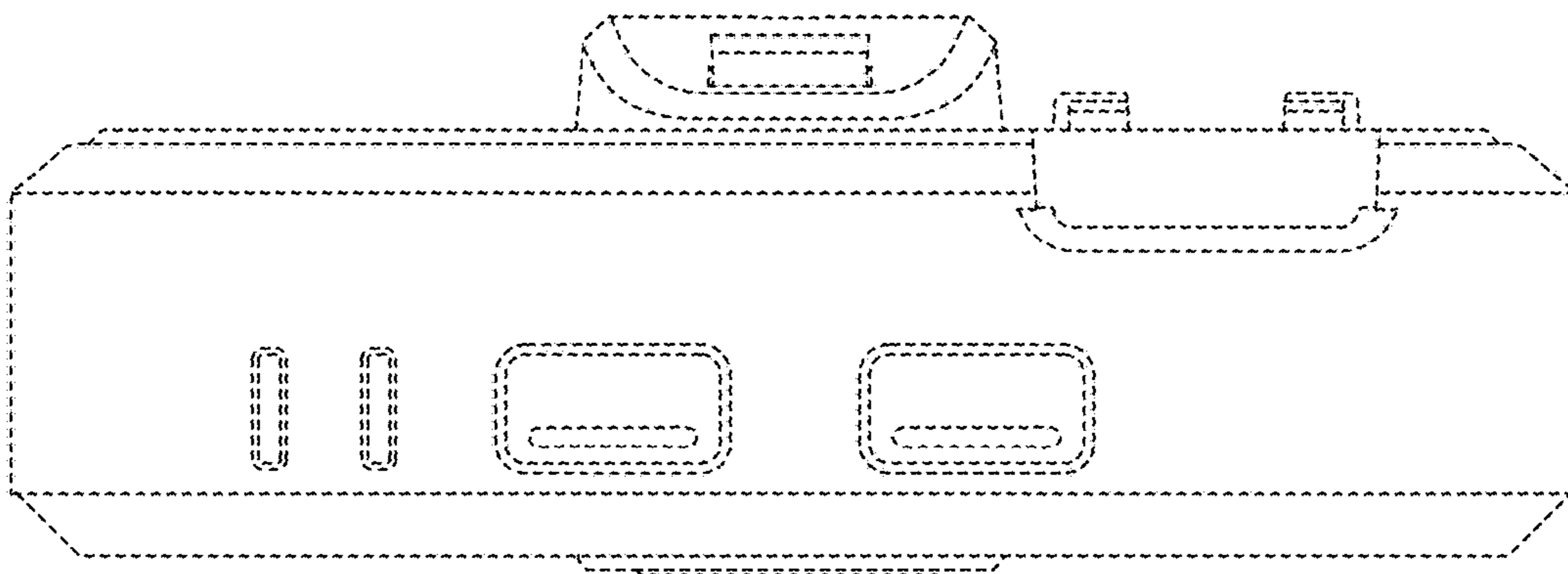


FIG. 5

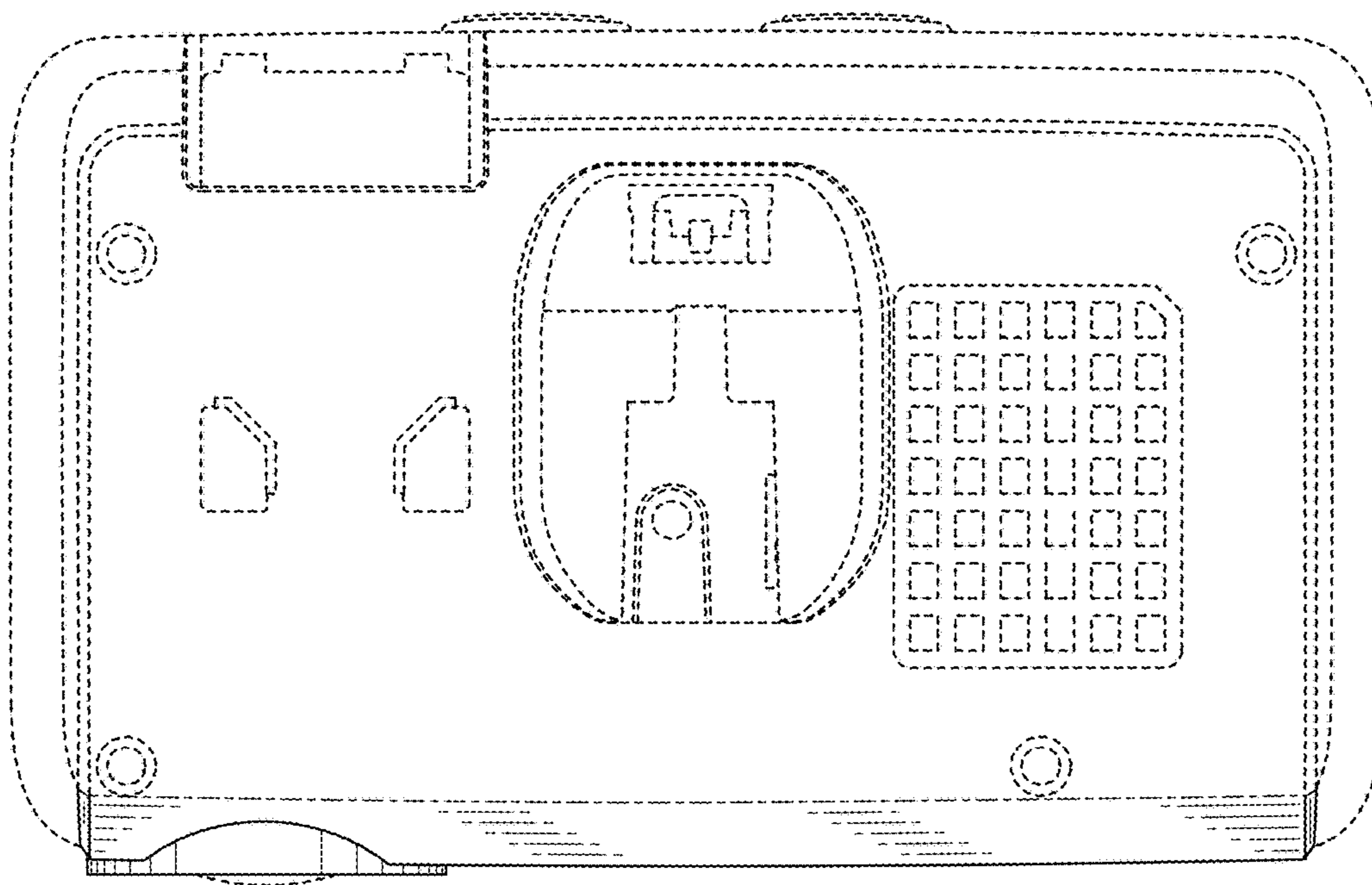


FIG. 6

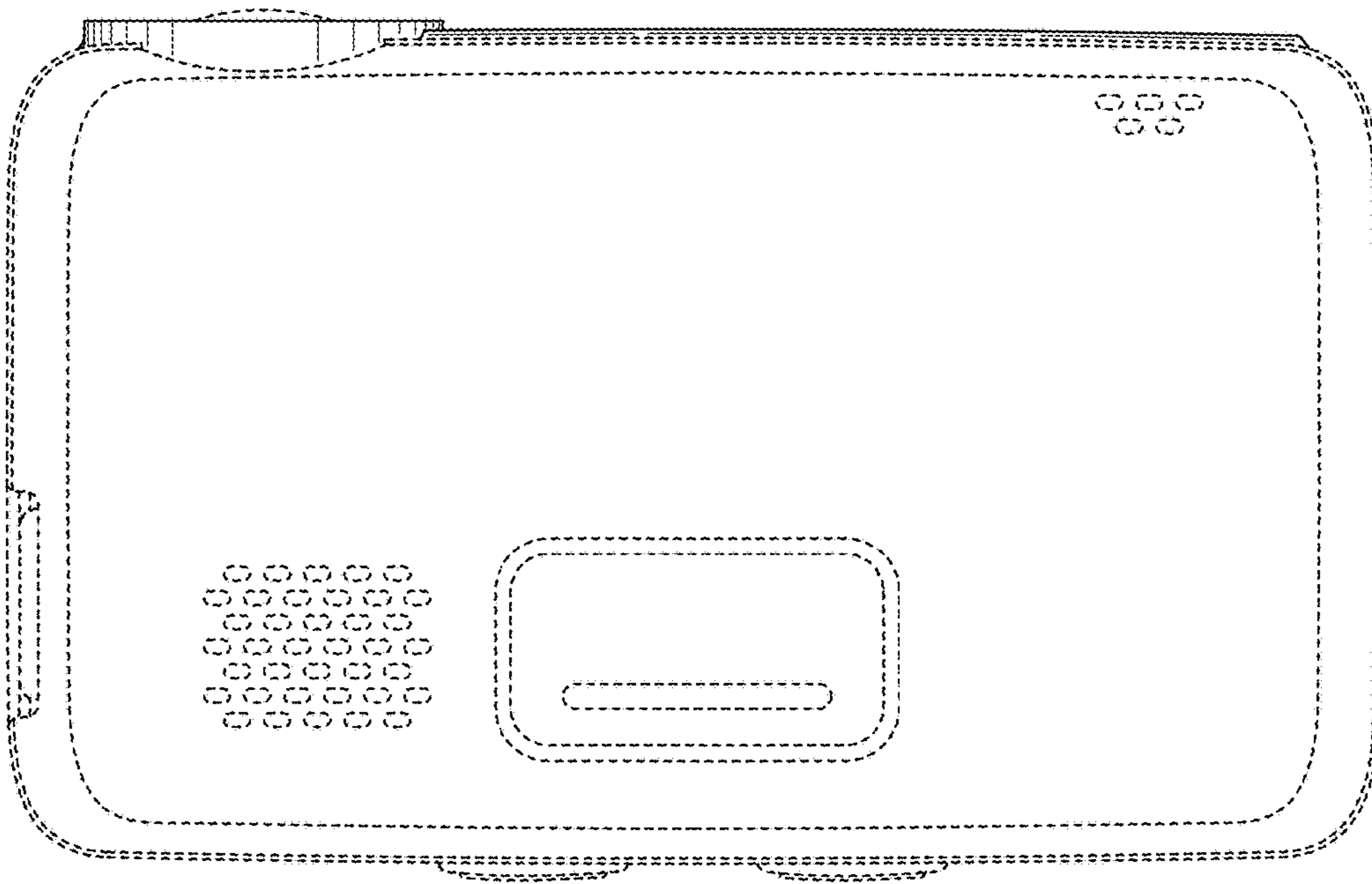


FIG. 7

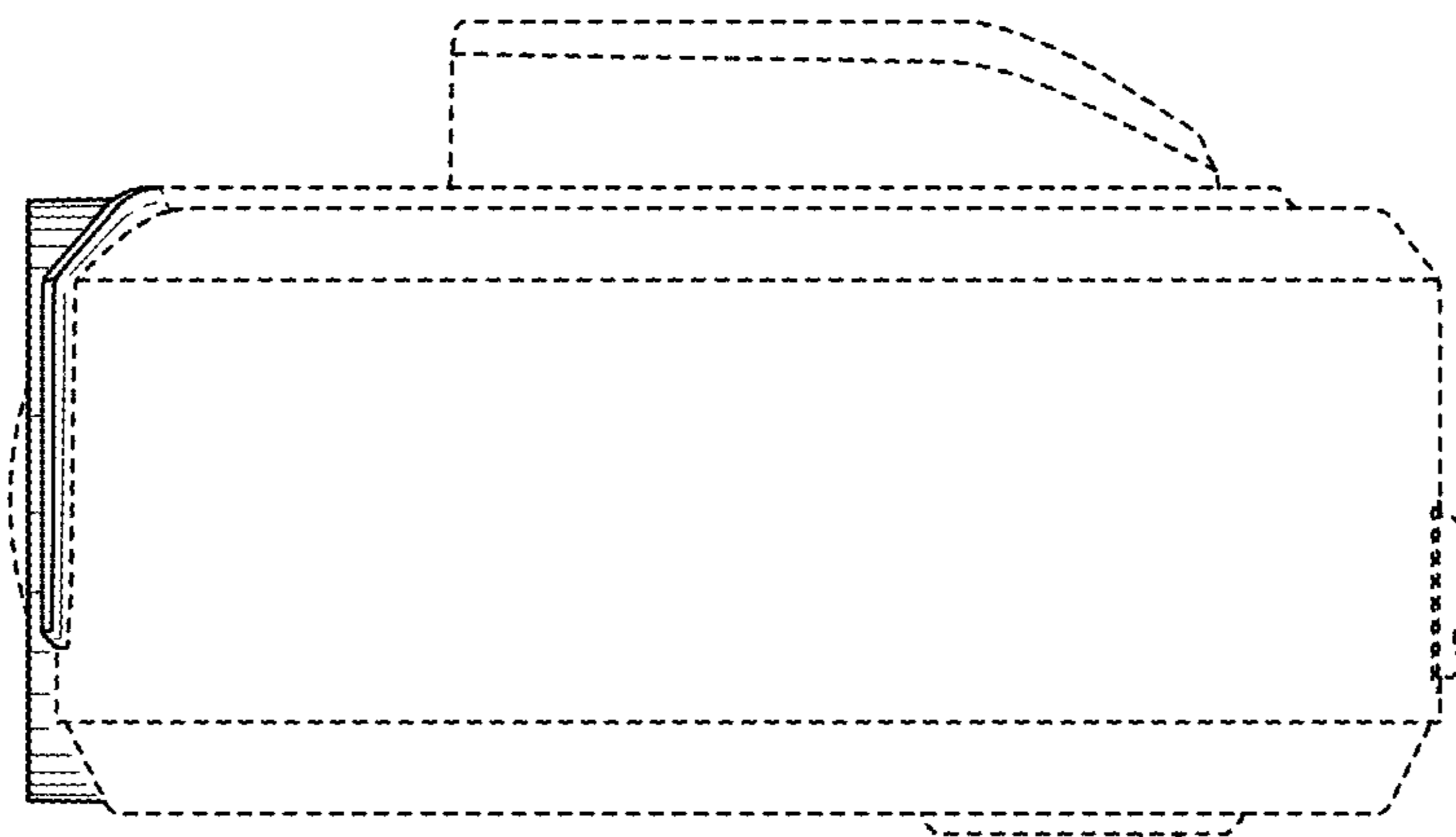


FIG. 8

