



US00D817335S

(12) **United States Design Patent** (10) **Patent No.:** **US D817,335 S**
Kim et al. (45) **Date of Patent:** **** May 8, 2018**

(54) **TV RECEIVER**
(71) Applicant: **LG ELECTRONICS INC.**, Seoul (KR)
(72) Inventors: **Huisik Kim**, Seoul (KR); **Hodong Hwang**, Seoul (KR)
(73) Assignee: **LG ELECTRONICS INC.**, Seoul (KR)

D694,208 S * 11/2013 Duys D14/126
D725,616 S * 3/2015 Oh D14/126
D728,498 S * 5/2015 Park D14/126
D744,444 S * 12/2015 Kim D14/126
D746,799 S * 1/2016 Kim D14/239
D758,374 S * 6/2016 Kim D14/451
D758,983 S * 6/2016 Kim D14/126
D763,236 S * 8/2016 Lam D14/239
D783,554 S * 4/2017 Kim D14/126

(Continued)

(**) Term: **15 Years**
(21) Appl. No.: **35/502,744**
(22) Filed: **Oct. 6, 2016**
(80) **Hague Agreement Data**
Int. Filing Date: **Oct. 6, 2016**
Int. Reg. No.: **DM/092975**
Int. Reg. Date: **Oct. 6, 2016**
Int. Reg. Pub. Date: **Apr. 7, 2017**

OTHER PUBLICATIONS

Hot Tips for Buying a Cool TV, Part 3-A: Wall Mount or Stand, posted at Samsung Global Newsroom, posting date Dec. 11, 2015. [online] [site visited Feb. 28, 2018]. Available from Internet. <URL <https://news.samsung.com/global/hot-tips-for-choosing-a-cool-tv-part-3-a-wall-mount-or-stand>> (Year: 2015).*

(Continued)

Primary Examiner — George D. Kirschbaum
Assistant Examiner — Kathleen L Jones
(74) *Attorney, Agent, or Firm* — Birch, Stewart, Kolasch & Birch, LLP

(30) **Foreign Application Priority Data**
Apr. 14, 2016 (KR) 30-2016-0017666
(51) **LOC (11) Cl.** **14-02**
(52) **U.S. Cl.**
USPC **D14/451**; D14/239
(58) **Field of Classification Search**
USPC D14/125–134, 239, 336, 371, 373–377, D14/447, 448, 450, 451, 452; D21/329, D21/332, 515; D10/26
CPC G06F 1/1692; G06F 1/165; G06F 1/1601; G06F 1/1637; H04N 5/64; H05K 5/0017; H05K 5/0204
See application file for complete search history.

(57) **CLAIM**

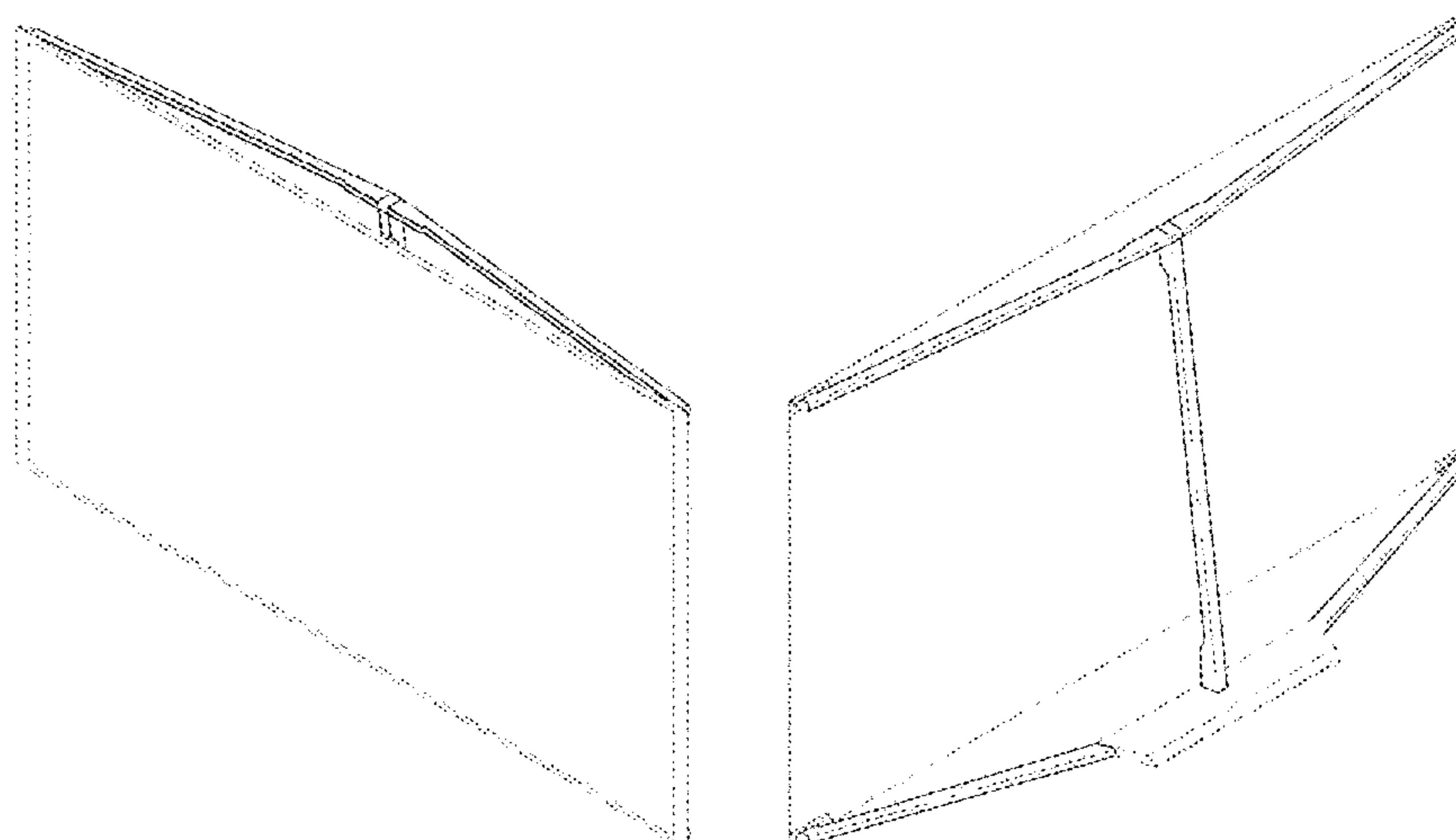
The ornamental design for a TV receiver, as shown and described.

DESCRIPTION

1. TV receiver
1.1 is a front perspective view.
1.2 is a rear perspective view.
1.3 is a front view.
1.4 is a back view.
1.5 is a left side view.
1.6 is a right side view.
1.7 is a top view.
1.8 is a bottom view.
The broken lines depict portions of the TV receiver that form no part of the claimed design.

(56) **References Cited**
U.S. PATENT DOCUMENTS
D557,035 S * 12/2007 Huang D6/701
D626,923 S * 11/2010 Yoshimura D14/126

1 Claim, 8 Drawing Sheets



(56)

References Cited

U.S. PATENT DOCUMENTS

D783,612 S * 4/2017 Kim D14/374
D800,082 S * 10/2017 Ahn D14/126
D801,337 S * 10/2017 Lee D14/374
D807,844 S * 1/2018 Kim D14/126
2006/0250347 A1 * 11/2006 Bertoncini G06F 1/1601
345/103

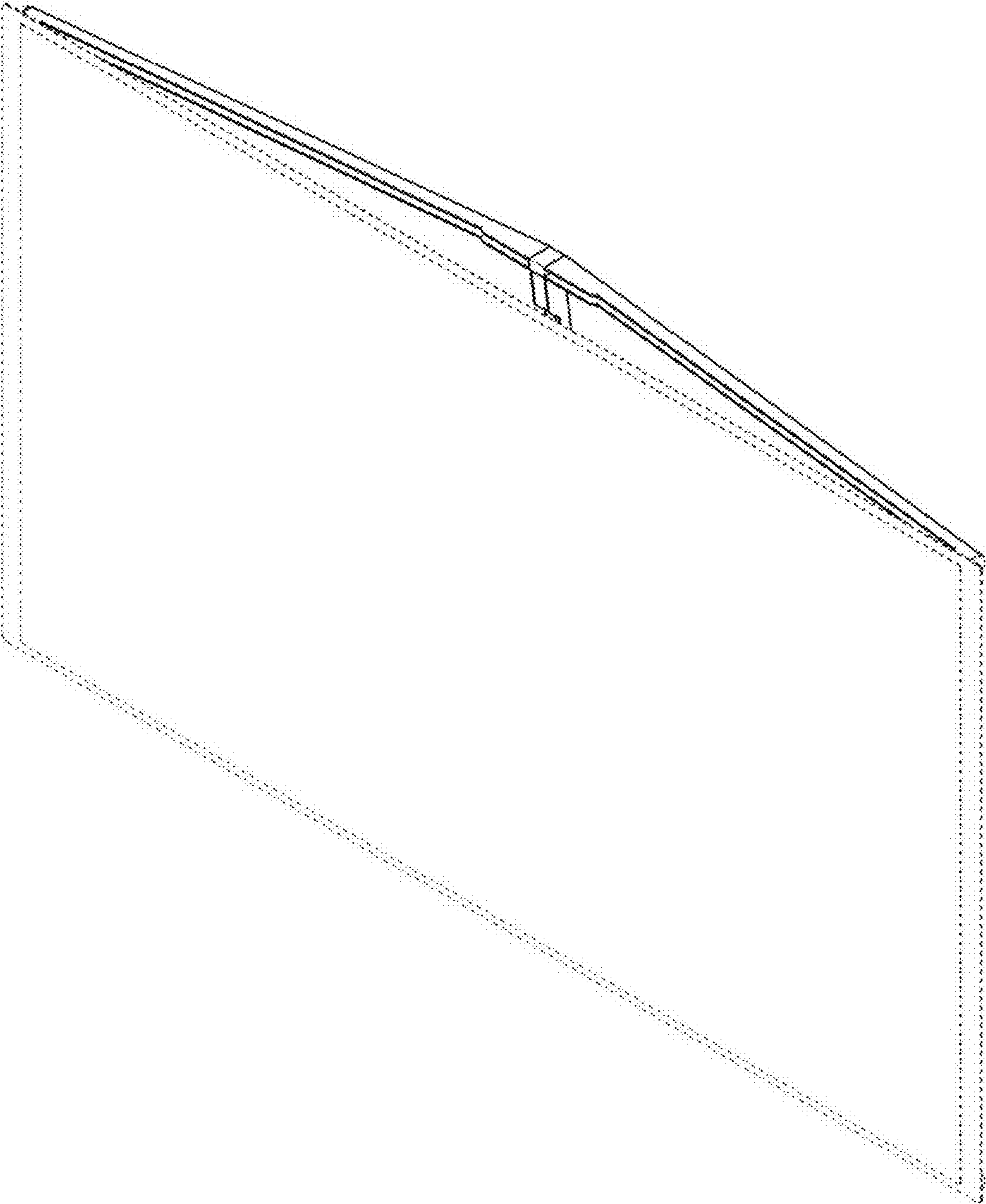
OTHER PUBLICATIONS

Wong, Abel, Samsung SUHD TB setup tutorial, posted at TechNave, posting date Jun. 20, 2016. [online] [site visited Feb. 28, 2018]. Available from Internet. <URL: <https://technave.com/gadget/Samsung-SUHD-TV-setup-tutorial-7488.html>> (Year: 2016).*

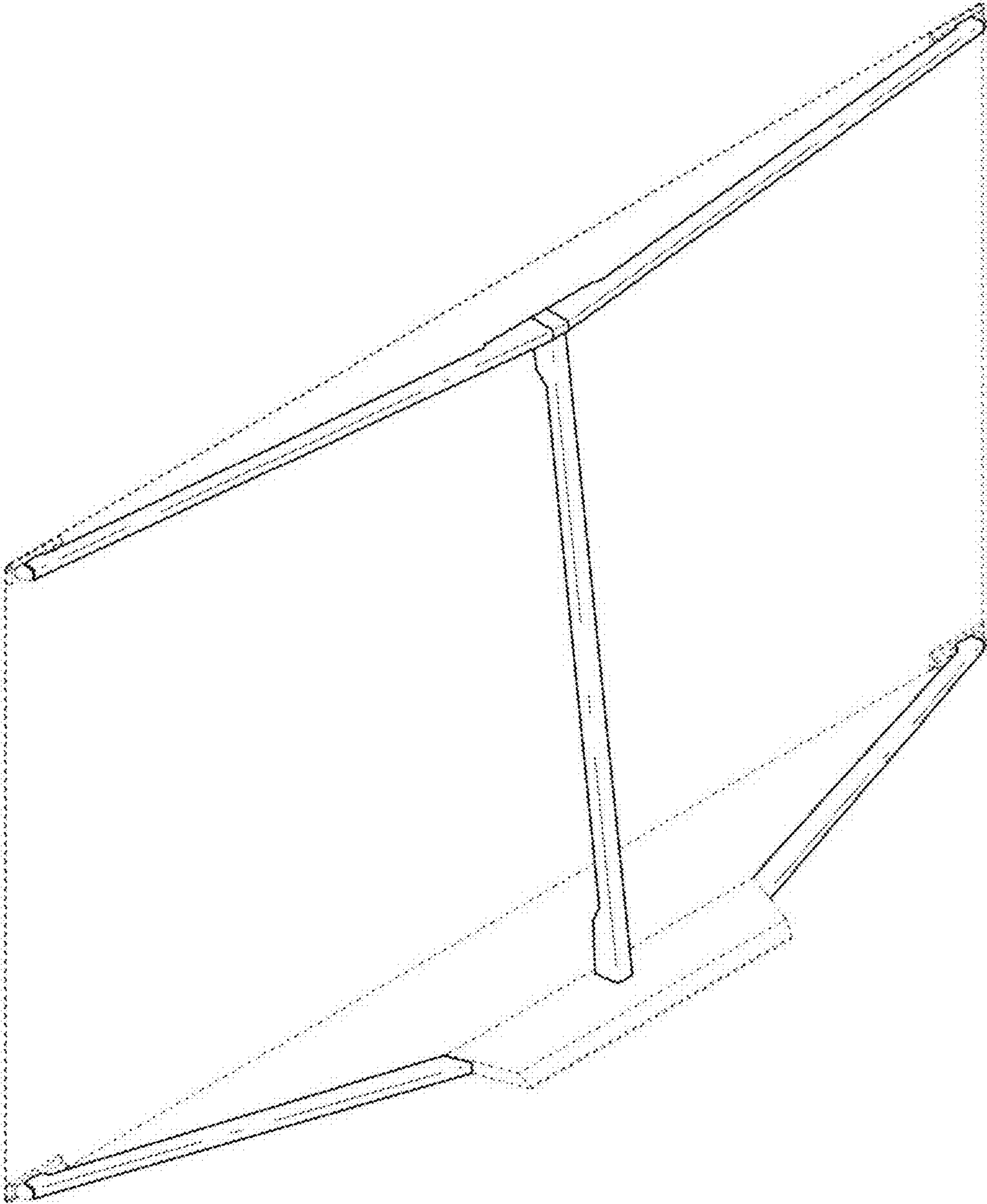
Protege Music Stand by Portastand, posted at jazzbooks, posting date not available. [online] [site visited Feb. 28, 2018]. Available from Internet. <URL: http://www.jazzbooks.com/mm5/merchant.mvc?Screen=PROD&Store_Code=JAJAZZ&Product_Code=PAS-PRO>.*

* cited by examiner

1.1



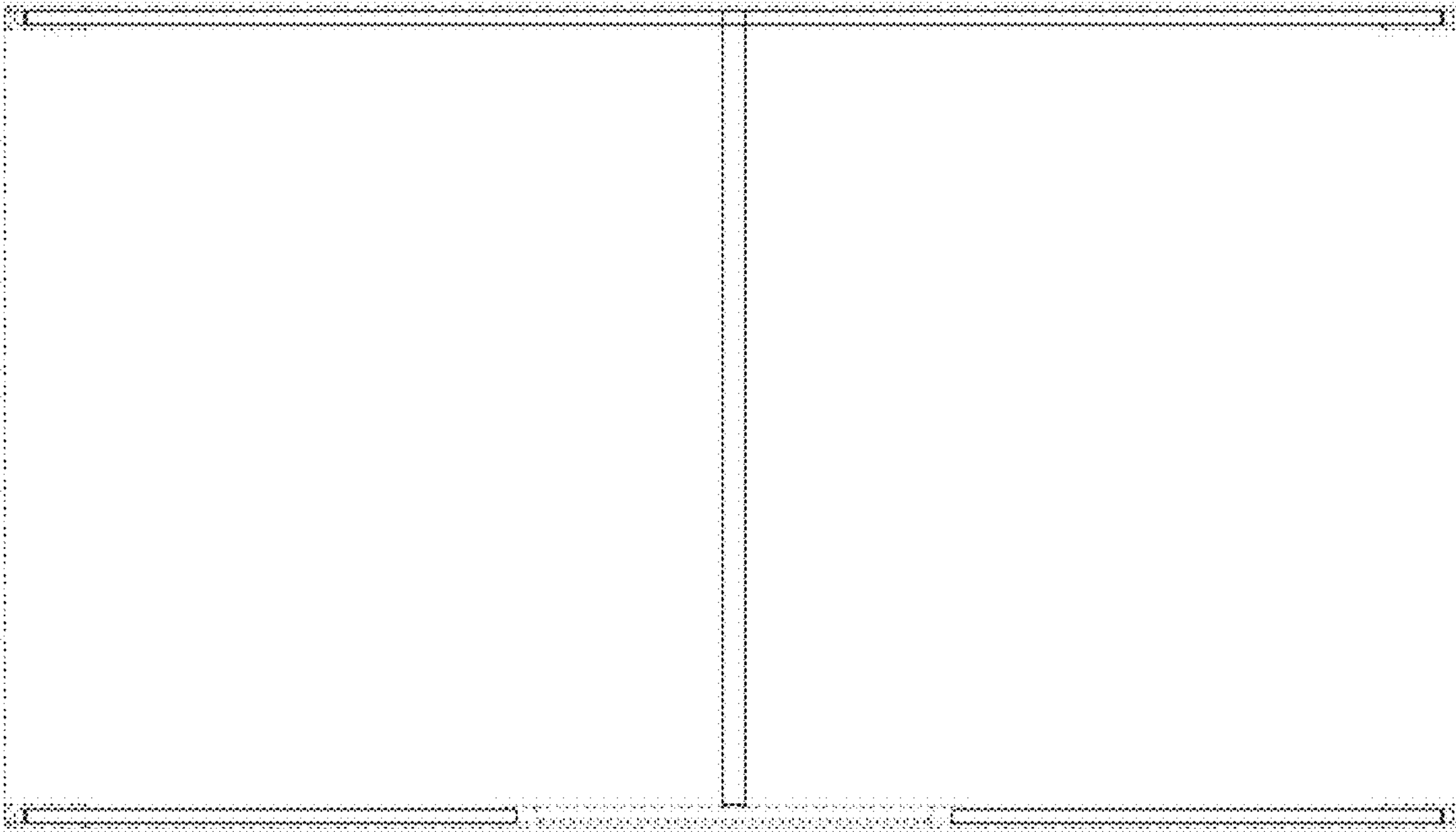
1.2



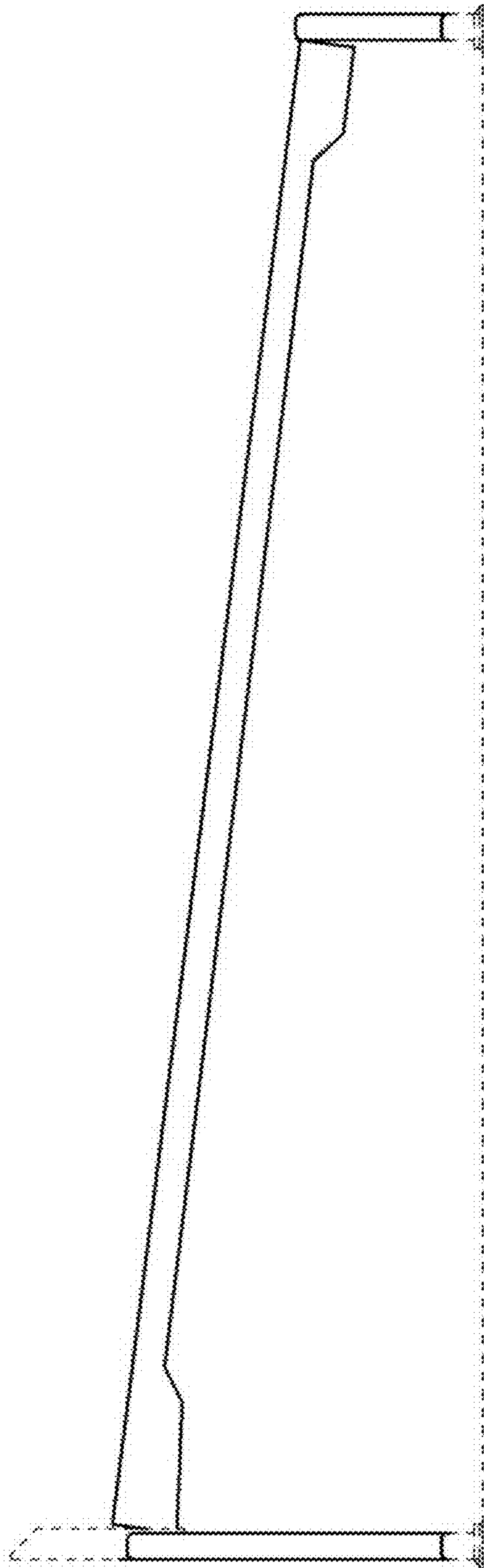
1.3



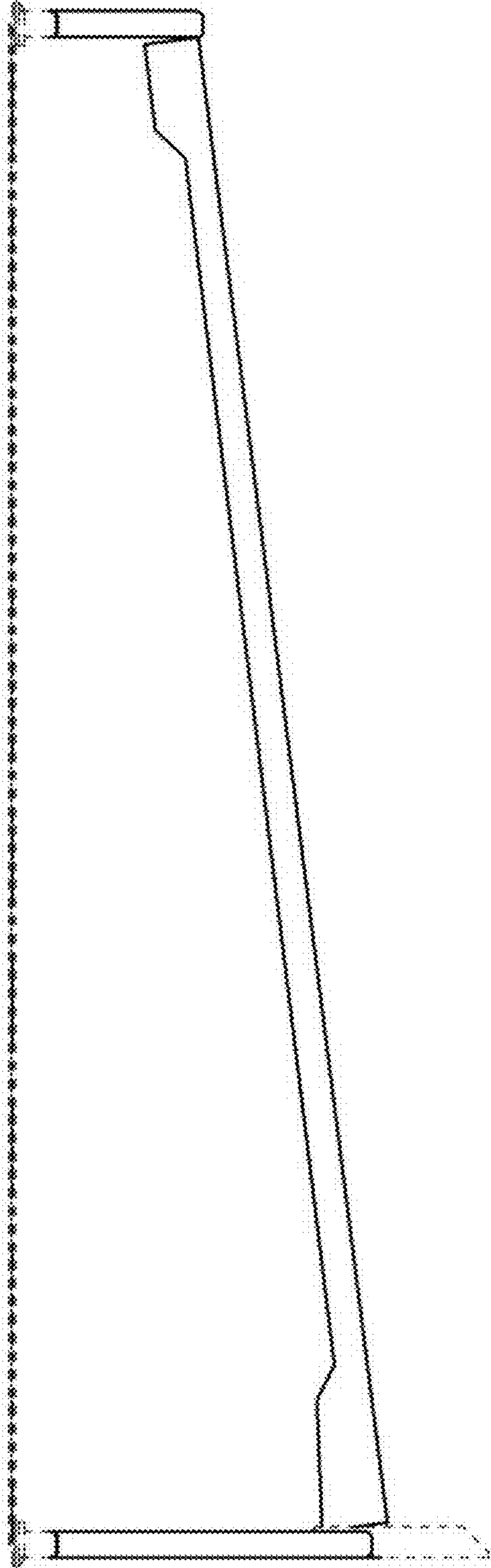
1.4



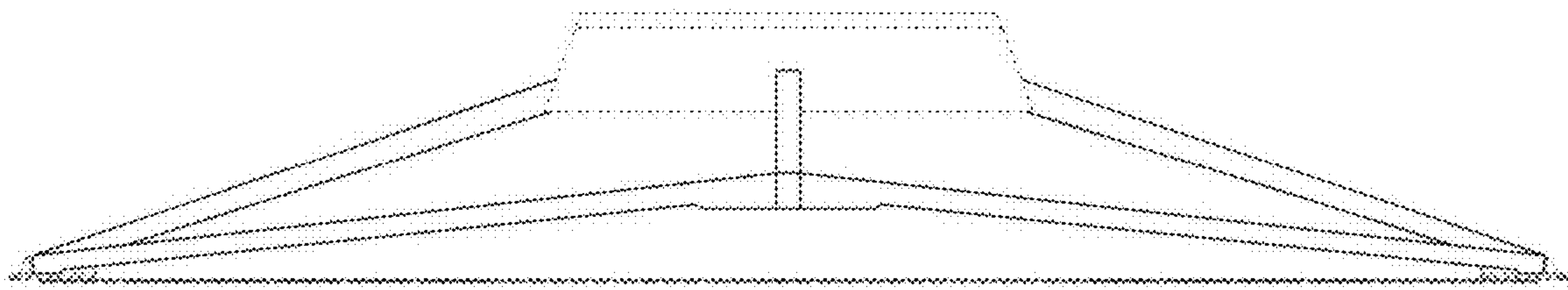
1.5



1.6



1.7



1.8

