



US00D817333S

(12) **United States Design Patent** (10) **Patent No.:** **US D817,333 S**
Boshernitzan et al. (45) **Date of Patent:** **** May 8, 2018**

(54) **MOUNT FOR A SENSOR HOUSING**
(71) Applicant: **Swan Solutions Inc.**, Houston, TX (US)
(72) Inventors: **Yaniv Boshernitzan**, Houston, TX (US); **Ohad Nezer**, Houston, TX (US)
(73) Assignee: **Swan Solutions, Inc.**, Austin, TX (US)
(**) Term: **15 Years**

6,241,247 B1 * 6/2001 Sternberg A63F 13/06
273/148 B
D558,209 S * 12/2007 Ikeda D14/434
D582,549 S * 12/2008 Morgan, Sr. D24/125
D582,919 S * 12/2008 Liu D14/434
D605,233 S * 12/2009 Ashida D14/434
D631,467 S * 1/2011 Shimizu D14/217
D687,017 S * 7/2013 Ashcraft
D708,619 S * 7/2014 Sogabe D14/209.1
D732,036 S * 6/2015 Lee D14/434
D744,541 S * 12/2015 Langhammer et al.
D762,649 S * 8/2016 Akana D14/434

* cited by examiner

(21) Appl. No.: **29/597,372**
(22) Filed: **Mar. 16, 2017**
(51) **LOC (11) Cl.** **14-02**
(52) **U.S. Cl.**
USPC **D14/434**; D14/496; D14/238.1
(58) **Field of Classification Search**
USPC ... D14/217, 209.1, 432, 434, 188, 356, 439,
D14/447, 454, 251; D8/373; D13/107,
D13/108, 146; 248/176.1; 320/109,
320/112-115; 361/679.4, 679.31-679.33,
361/679.41, 679.55; 455/557, 34-351;
710/15, 303; D21/332, 333, 324
CPC F16M 11/02; F16M 11/04; A47F 5/00;
A47F 5/10; G06F 1/16; G06F 1/1613
See application file for complete search history.

Primary Examiner — Prabhakar G Deshmukh
(74) *Attorney, Agent, or Firm* — Andrew W. Chu; Craft
Chu PLLC

(57) **CLAIM**

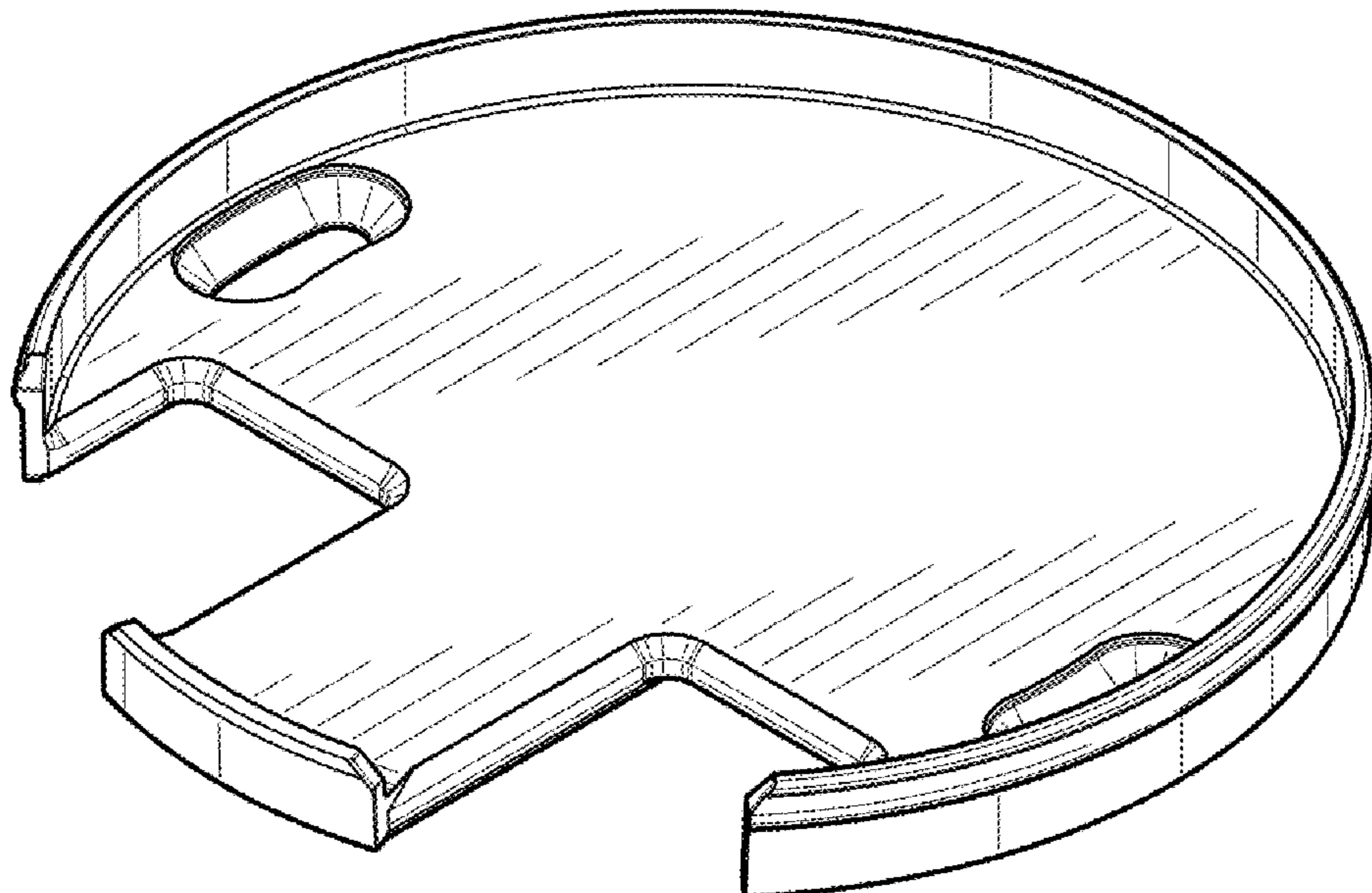
The ornamental design for a mount for a sensor housing, as shown and described.

DESCRIPTION

FIG. 1 is an upper perspective view of the mount for a sensor housing showing my design.
FIG. 2 is a top plan view thereof;
FIG. 3 is a bottom plan view thereof;
FIG. 4 is a front elevation view thereof;
FIG. 5 is a back elevation view thereof;
FIG. 6 is a side elevation view thereof; and,
FIG. 7 is an opposite side elevation view thereof.

(56) **References Cited**
U.S. PATENT DOCUMENTS
5,933,812 A * 8/1999 Meyer G06Q 20/20
235/380
D416,549 S * 11/1999 Coster D14/126

1 Claim, 2 Drawing Sheets



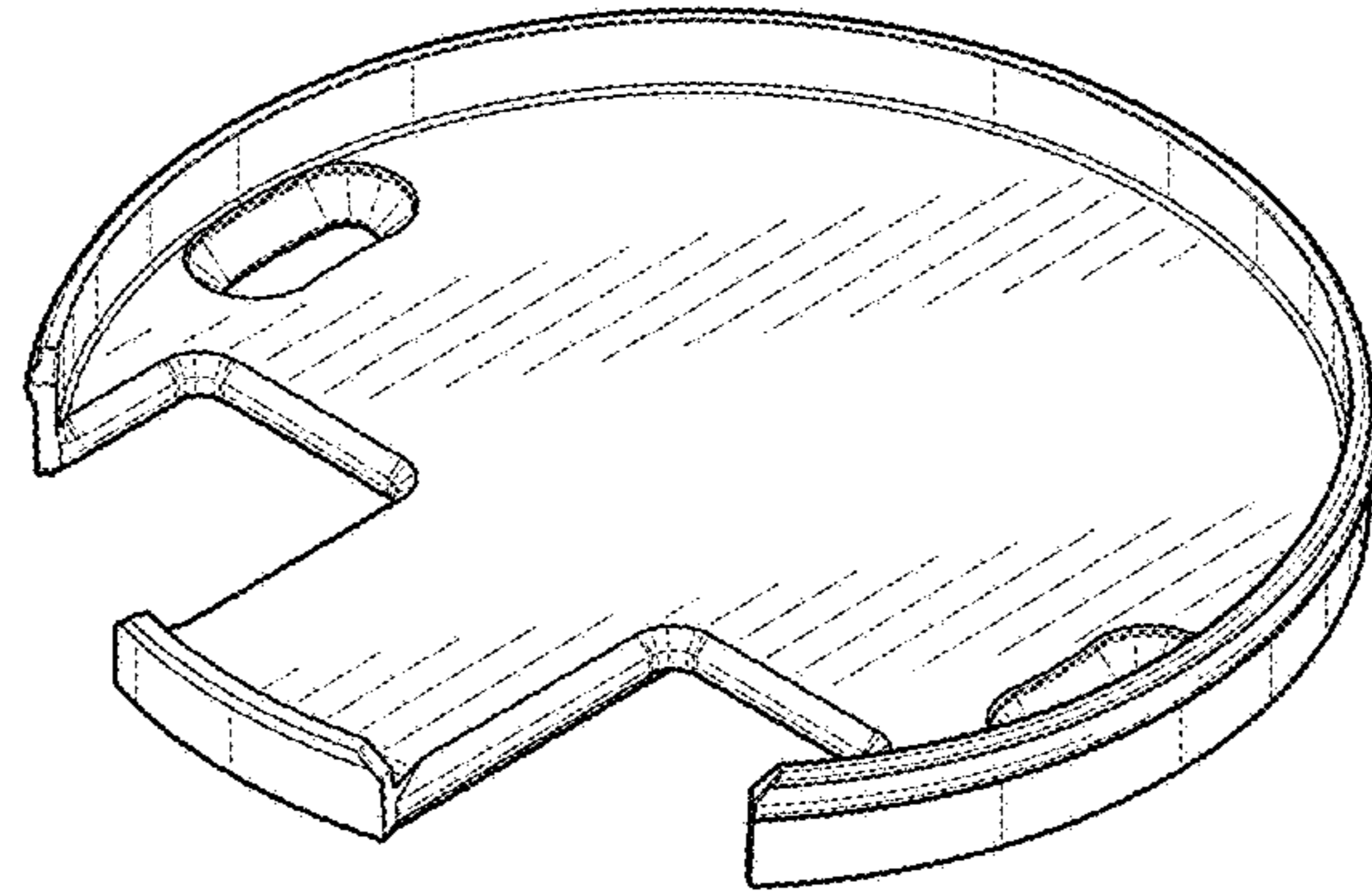


FIG. 1

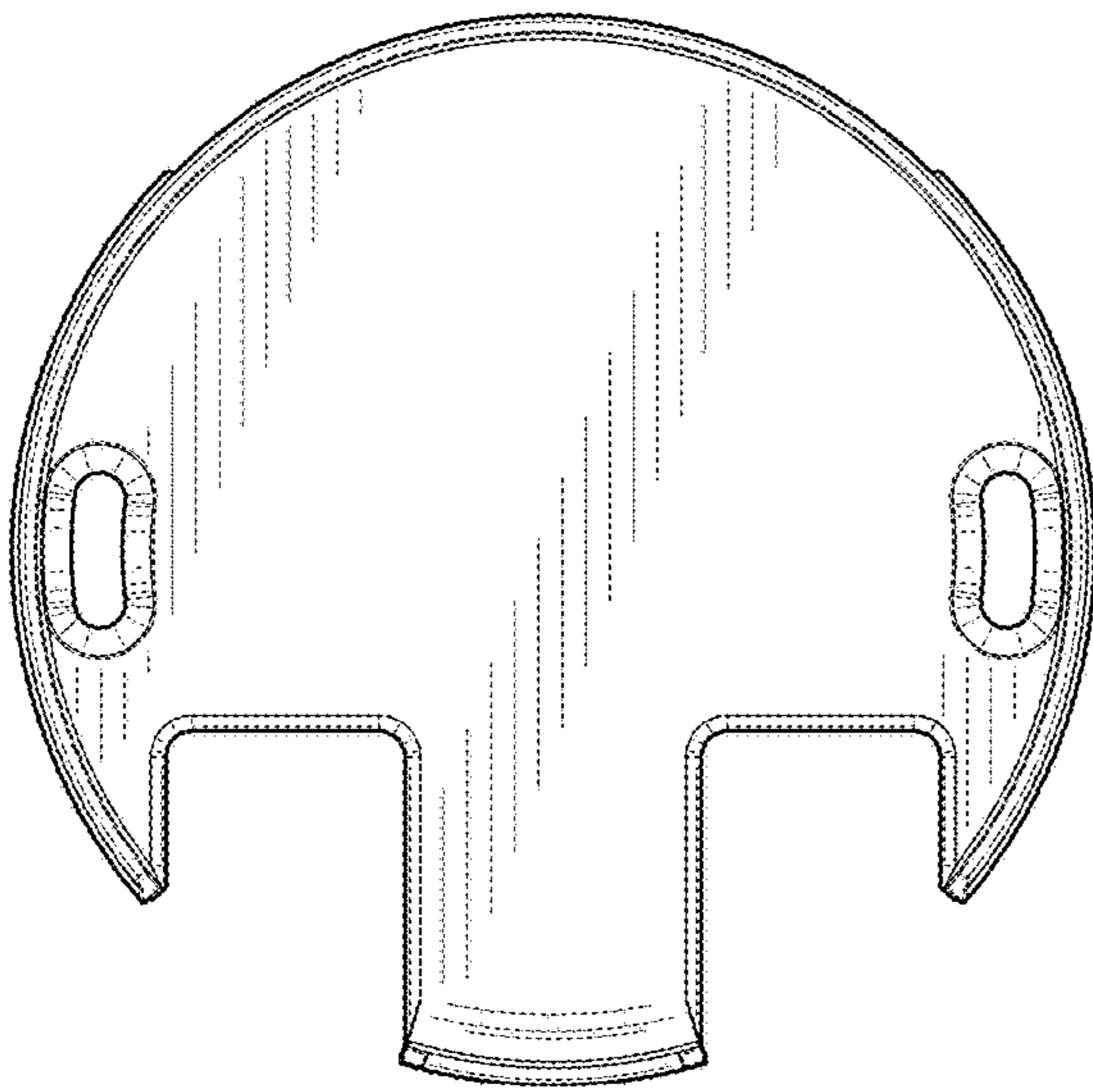


FIG. 2

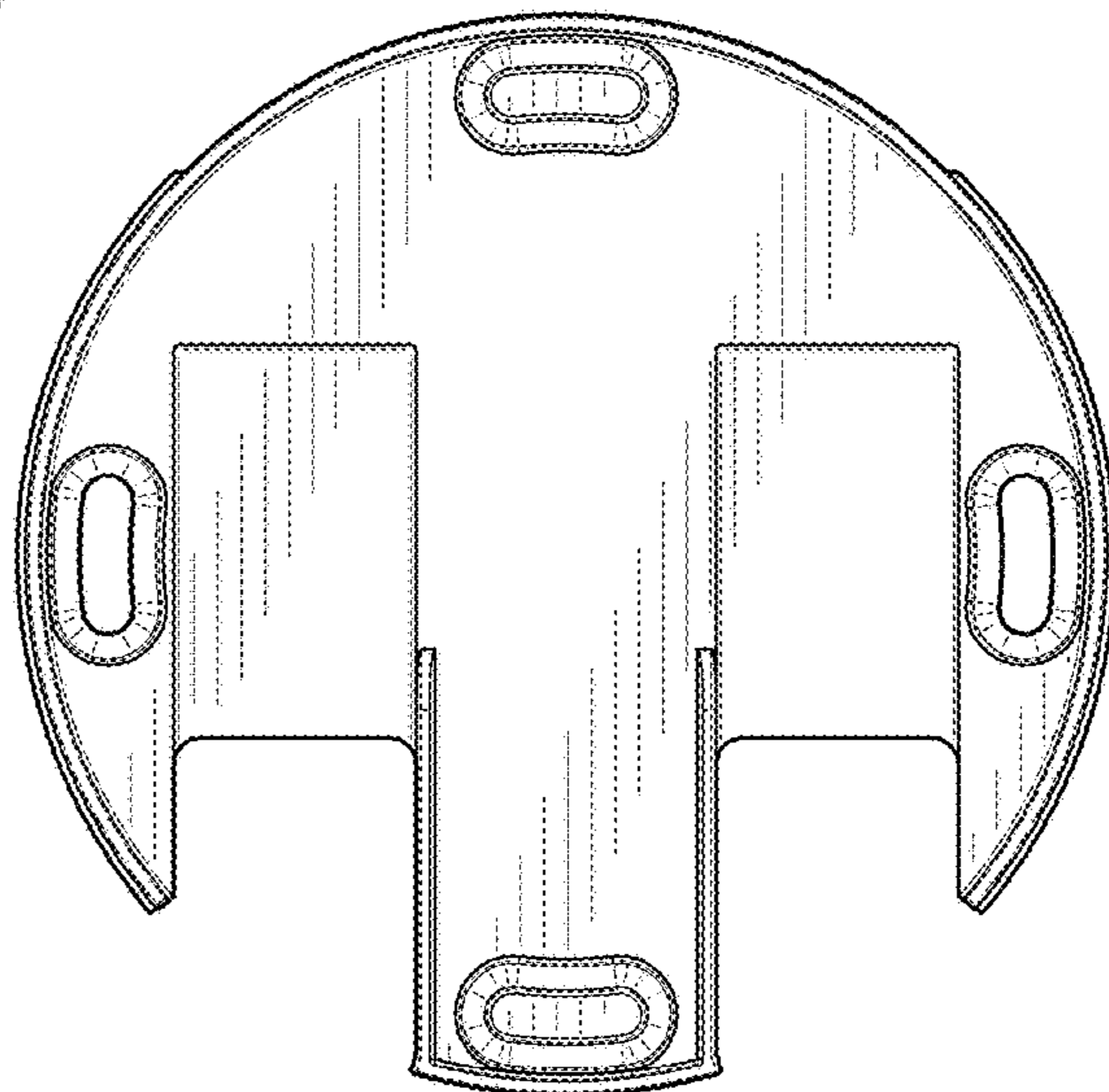


FIG. 3



FIG. 4

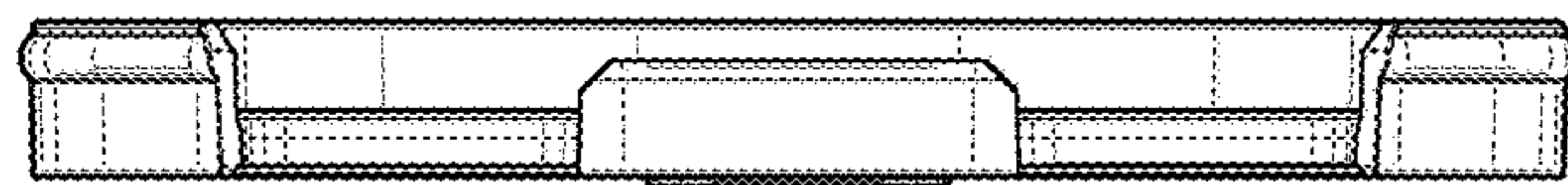


FIG. 5

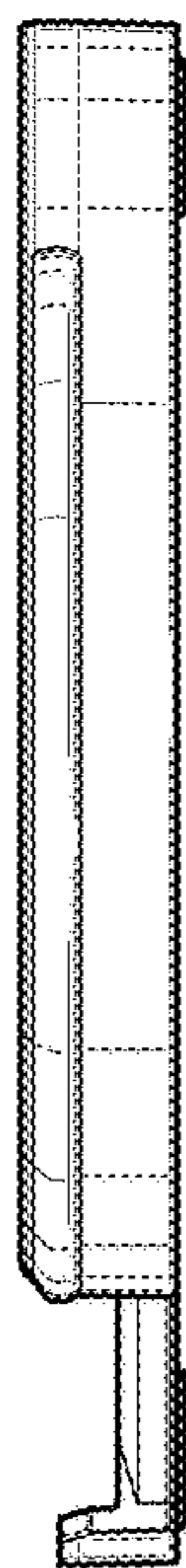


FIG. 6



FIG. 7