

US00D817332S

(12) **United States Design Patent**
Yaprak et al.

(10) **Patent No.:** **US D817,332 S**

(45) **Date of Patent:** **** May 8, 2018**

(54) **HOUSING FOR AN ELECTRONIC DEVICE**

7,559,877 B2 * 7/2009 Parks A63B 69/0028
482/3

(71) Applicant: **VORBECK MATERIALS CORP.**,
Jessup, MD (US)

D659,037 S * 5/2012 Madsen D10/65
D674,715 S * 1/2013 Dalton B25C 7/00
D10/70

(72) Inventors: **Can Gun Yaprak**, Halethorpe, MD
(US); **Spencer Perkins**, Washington,
DC (US)

D682,126 S * 5/2013 Tello B42D 25/22
D10/70

(**) Term: **15 Years**

D693,709 S * 11/2013 Lee D10/65
D717,680 S * 11/2014 Park D10/70

(21) Appl. No.: **29/575,186**

D730,225 S * 5/2015 Behar D10/103
D737,708 S * 9/2015 Jung D10/70
D751,558 S * 3/2016 Lee D10/103

(22) Filed: **Aug. 23, 2016**

D760,098 S * 6/2016 Benoit D10/70
D795,844 S * 8/2017 Harper D14/223

(51) **LOC (11) Cl.** **14-02**

* cited by examiner

(52) **U.S. Cl.**
USPC **D14/432**

Primary Examiner — Rosemary K Tarcza

Assistant Examiner — Alison M Ofstun

(58) **Field of Classification Search**

(74) *Attorney, Agent, or Firm* — Trentice V. Bolar, Esq.

USPC D13/102–106, 110, 118, 119, 184;
D14/341, 346, 498, 507, 509, 299, 432;
D25/186, 127; D10/70
CPC Y02E 60/12; Y02E 60/122; Y02E 60/124;
Y02E 60/50; H01M 2/02; H01M 2/022;
H01M 2/0202; H01M 2/0207; H01M
2/0212; H01M 2/1061; H01M 2/1022;
H01M 2/1055; H01M 2/1066; H01M
2/105; H01M 2/204; H01M 10/4257;
H01M 10/0426; H01M 10/48

See application file for complete search history.

(57) **CLAIM**

The ornamental design for a housing for an electronic device, as shown.

DESCRIPTION

FIG. 1 is a perspective view of a housing for an electronic device, showing our new design.

FIG. 2 is a front view thereof;

FIG. 3 is a side view thereof; and,

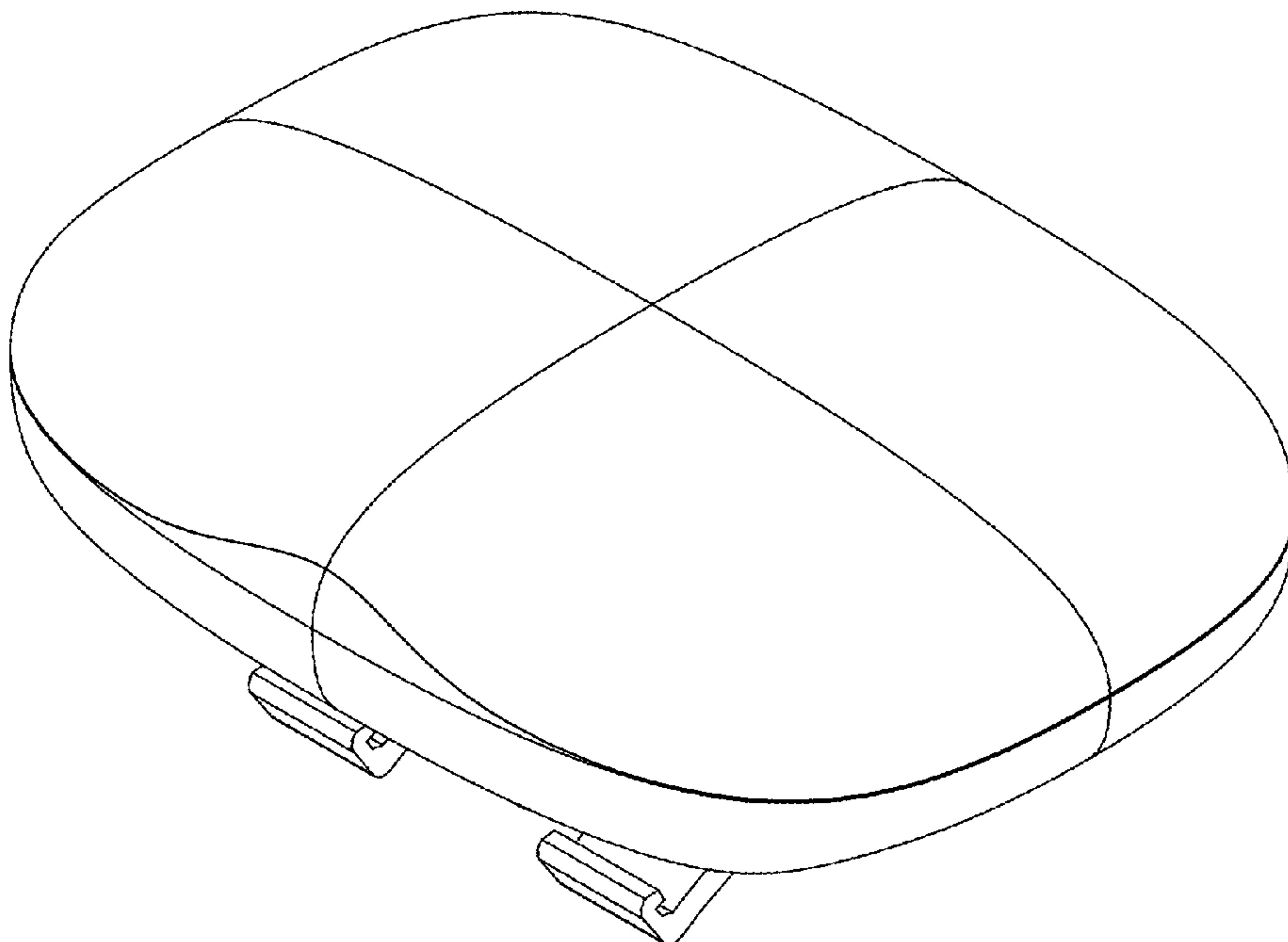
FIG. 4 is a back view thereof.

(56) **References Cited**

U.S. PATENT DOCUMENTS

D375,695 S * 11/1996 Narai D10/70
D555,019 S * 11/2007 Au Yeung D10/70

1 Claim, 4 Drawing Sheets



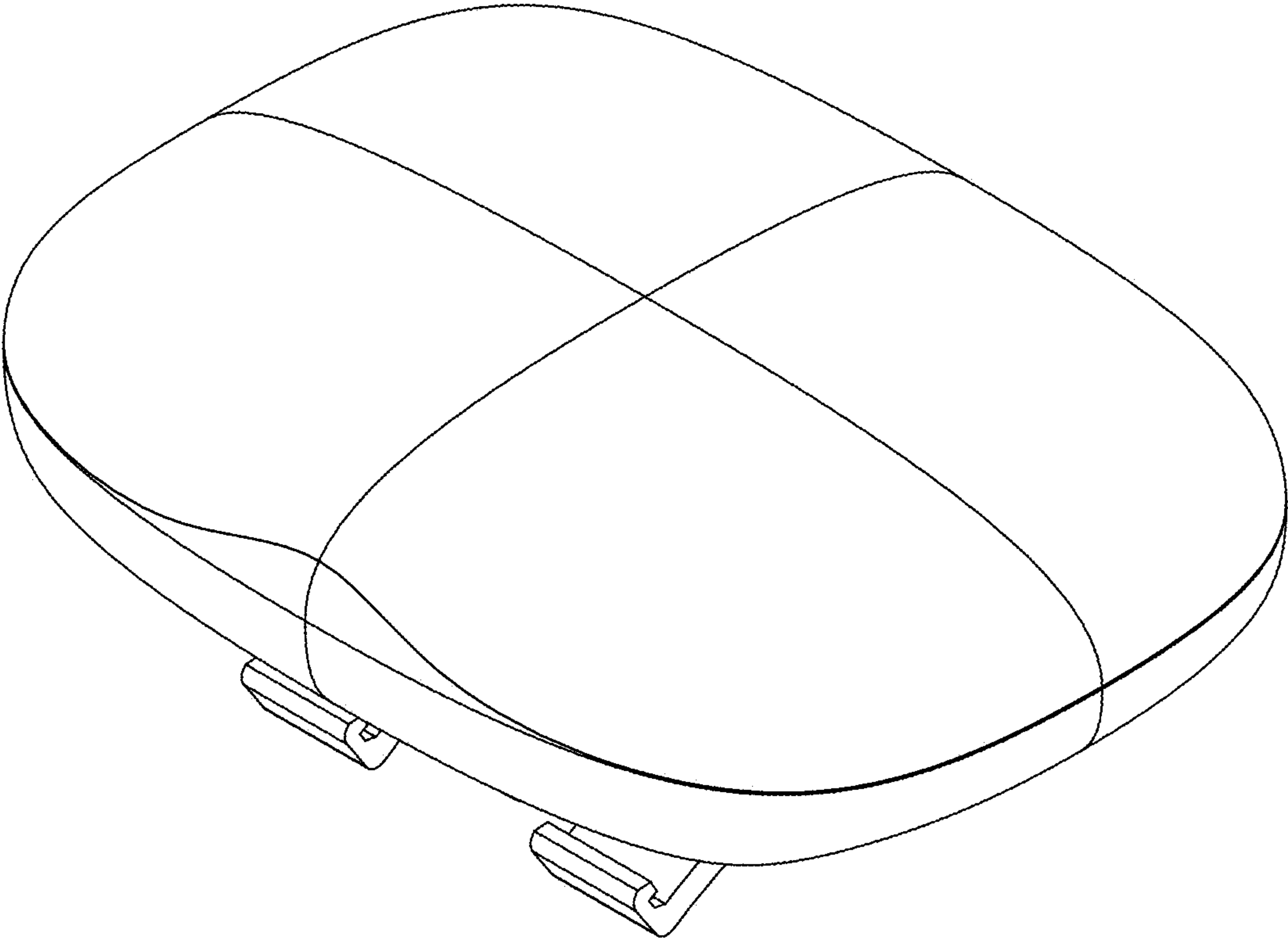


FIG. 1

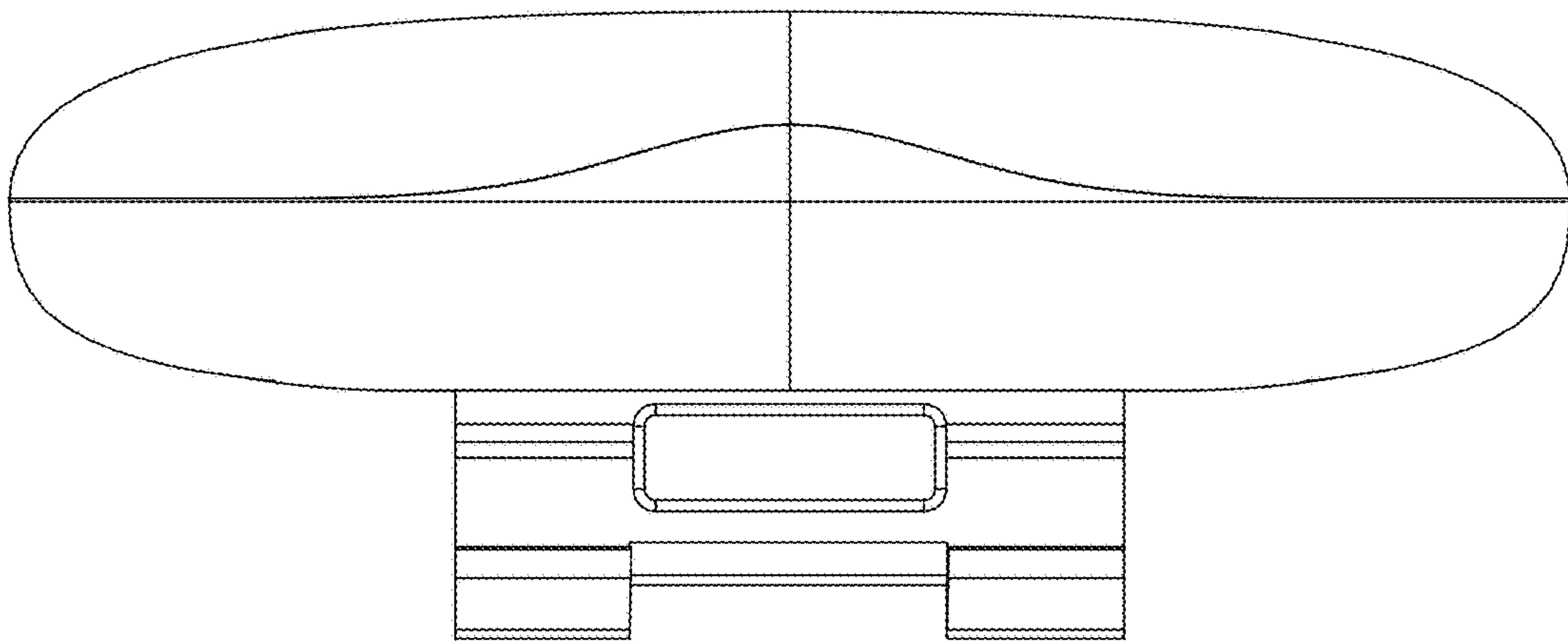


FIG. 2

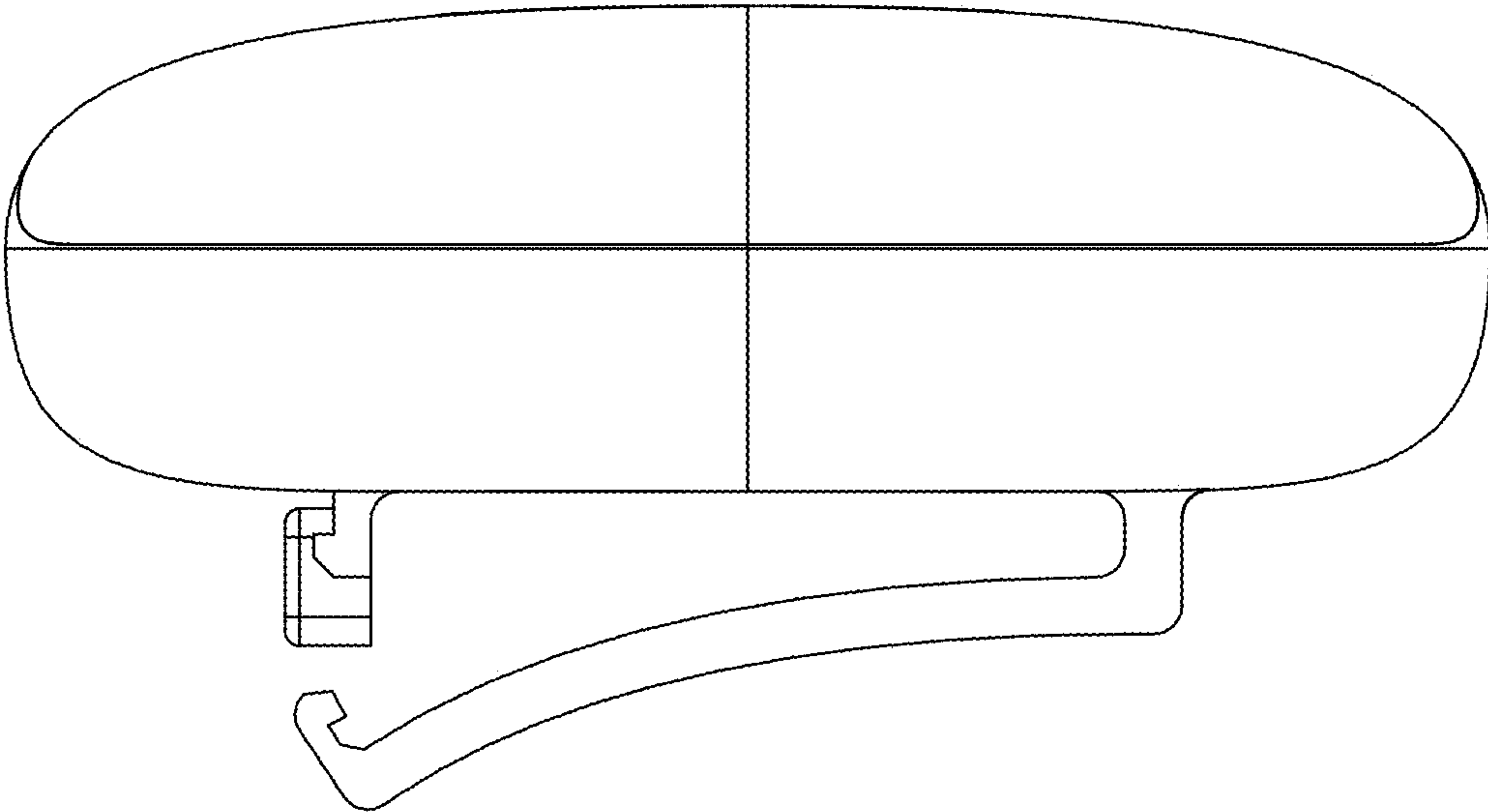


FIG. 3

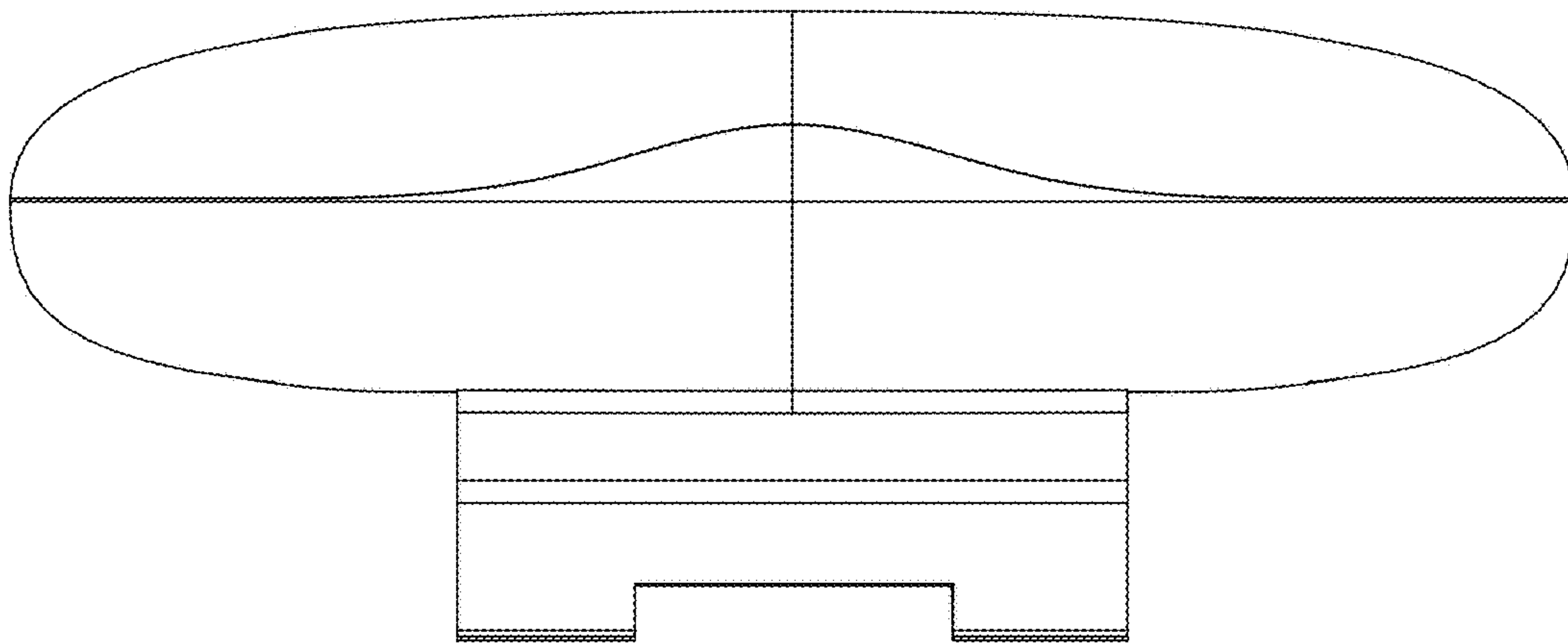


FIG. 4