



US00D817330S

(12) **United States Design Patent**
Ho et al.

(10) **Patent No.:** **US D817,330 S**
(45) **Date of Patent:** **** May 8, 2018**

(54) **DISPLAY**

(71) Applicant: **Top Victory Investments Ltd.,**
Kowloon (HK)

(72) Inventors: **Ming-Kuei Ho, New Taipei (TW);**
Yao-Hsing Tsai, New Taipei (TW)

(73) Assignee: **Top Victory Investments Ltd.,**
Kowloon (HK)

(**) Term: **15 Years**

(21) Appl. No.: **29/607,847**

(22) Filed: **Jun. 16, 2017**

(51) **LOC (11) Cl.** **14-02**

(52) **U.S. Cl.**
USPC **D14/374**

(58) **Field of Classification Search**
USPC D14/371-375, 125-129, 336, 337;
D6/300, 308; D19/113, 114; D20/10
CPC G09F 15/0025; G09F 15/0062; G09F
15/0068; G06F 1/16; G06F 1/1613; G06F
1/133308; G06F 1/1601; G06F 3/037;
G06F 1/162; F16M 11/02; F16M 11/10;
F16M 11/00; F16M 11/06; F16M 11/18;
F16M 11/045; F16M 11/105; F16M
11/041; F16M 11/126; F16M 11/04;
F16M 11/24; F16M 13/02; A47F 5/00

See application file for complete search history.

(56) **References Cited**

U.S. PATENT DOCUMENTS

D758,983 S * 6/2016 Kim D14/126
D769,874 S * 10/2016 Kung D14/374
9,535,458 B2 * 1/2017 Oakley G06F 1/1633
D783,554 S * 4/2017 Kim D14/126

* cited by examiner

Primary Examiner — Freda S Nunn

(74) *Attorney, Agent, or Firm* — Alan D. Kamrath;
Kamrath IP Lawfirm, P.A.

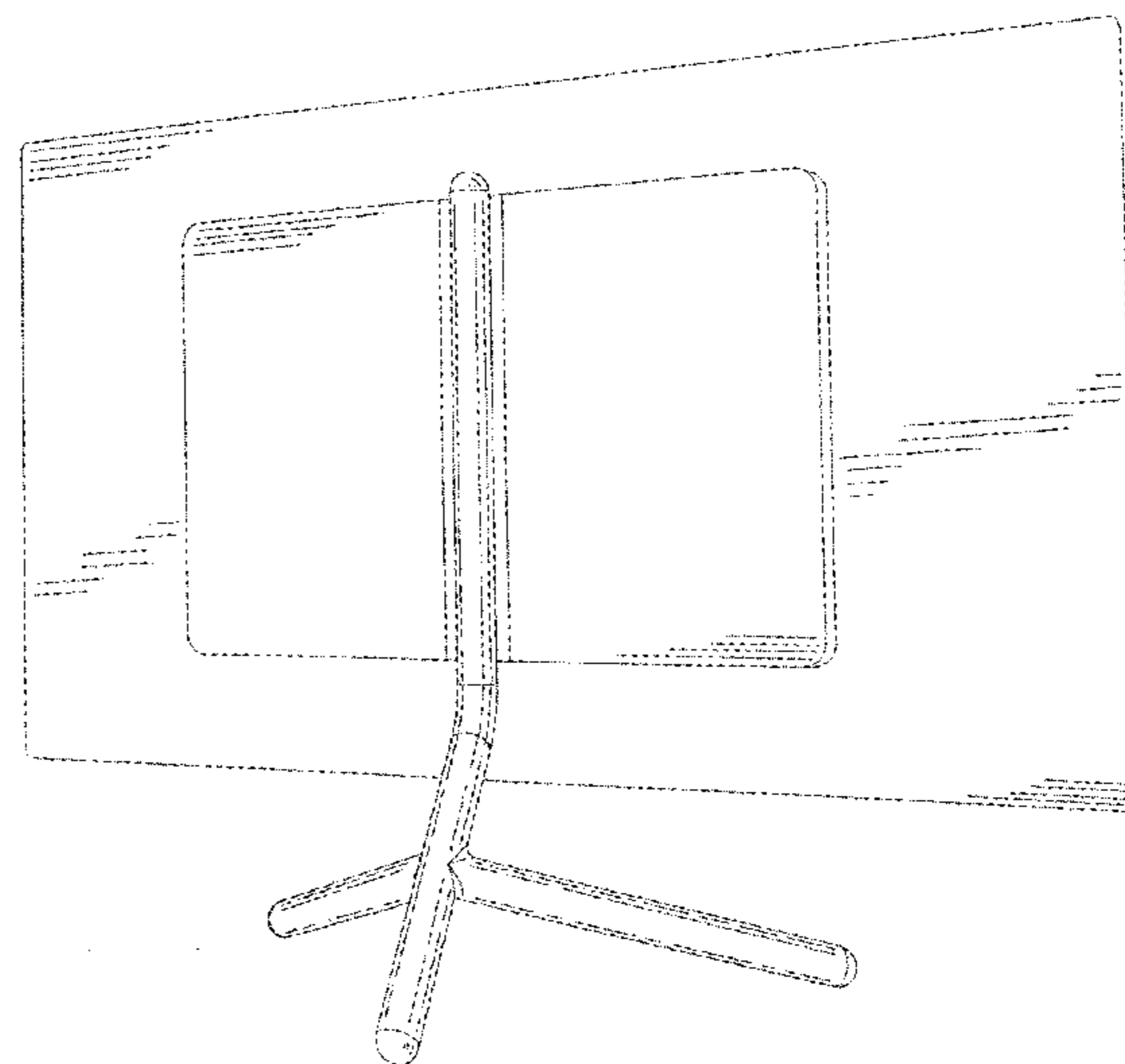
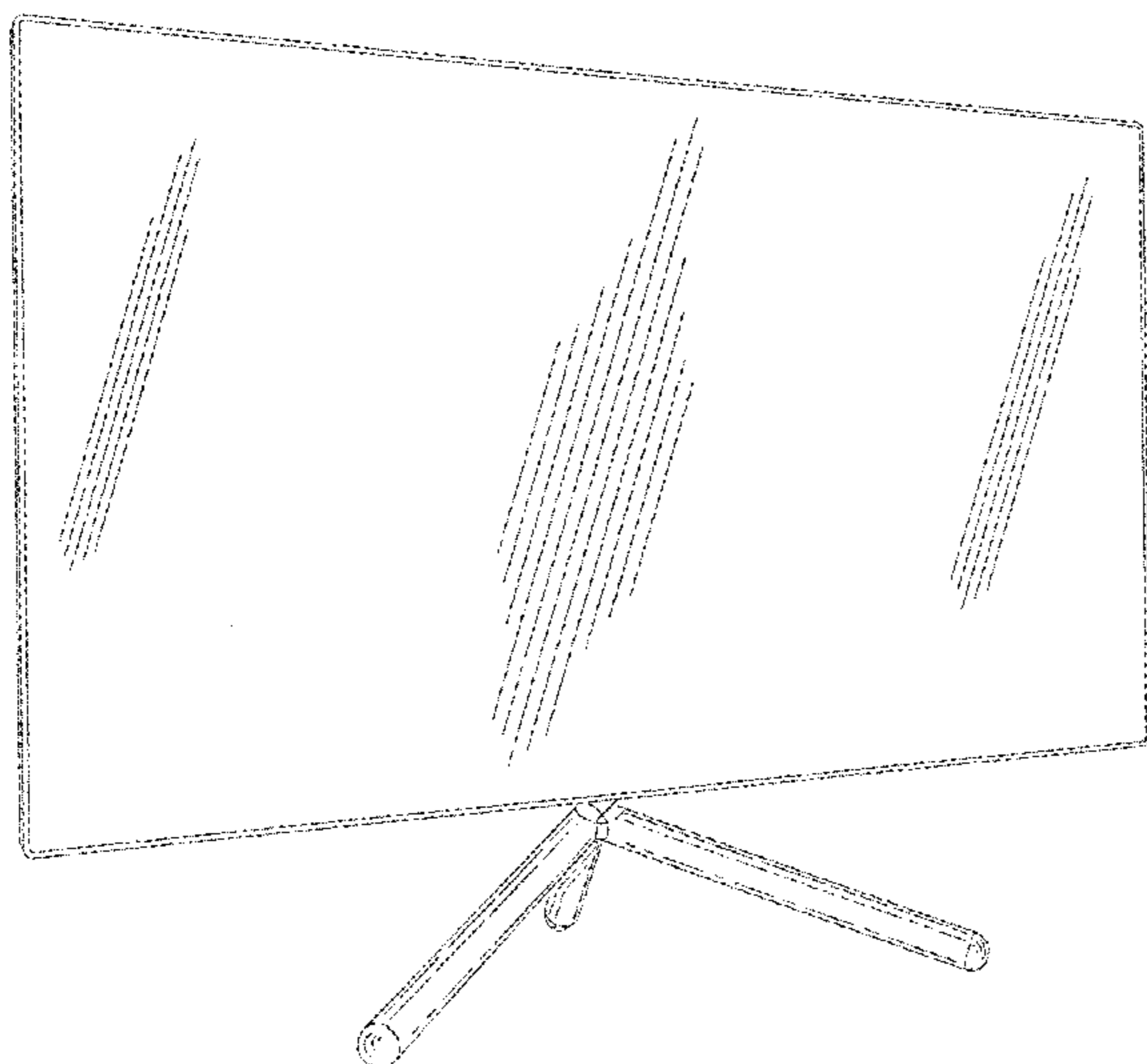
(57) **CLAIM**

The ornamental design for a display, as shown and described.

DESCRIPTION

FIG. 1 is a front perspective view of a display showing our new design;
FIG. 2 is a rear perspective view thereof;
FIG. 3 is a front elevational view thereof;
FIG. 4 is a rear elevational view thereof;
FIG. 5 is a left side elevational view thereof, the right side elevational view being identical;
FIG. 6 is a top plan view thereof;
FIG. 7 is a bottom plan view thereof;
FIG. 8 is an exploded perspective view thereof; and,
FIG. 9 is another exploded perspective view thereof.

1 Claim, 9 Drawing Sheets



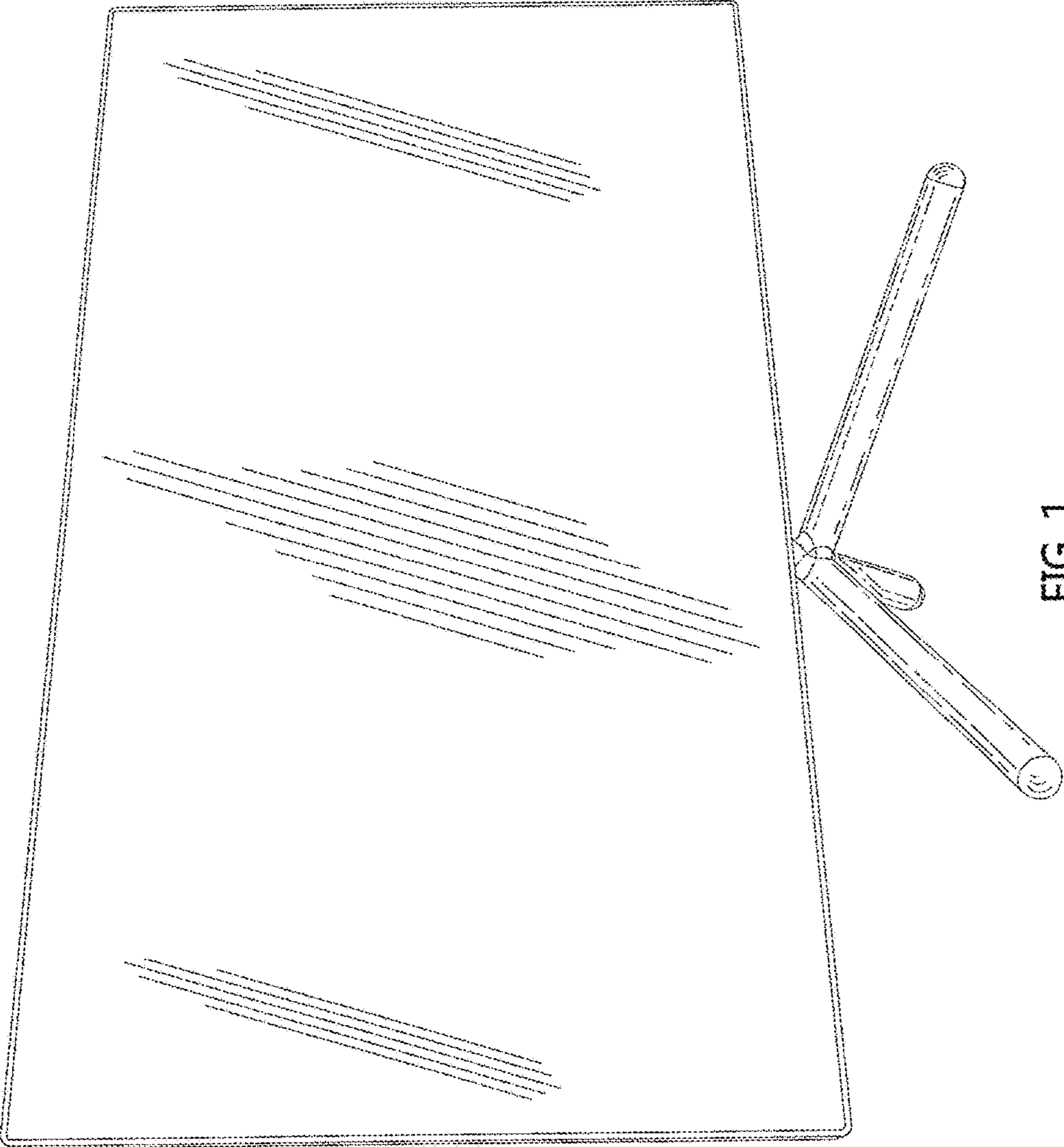


FIG. 1

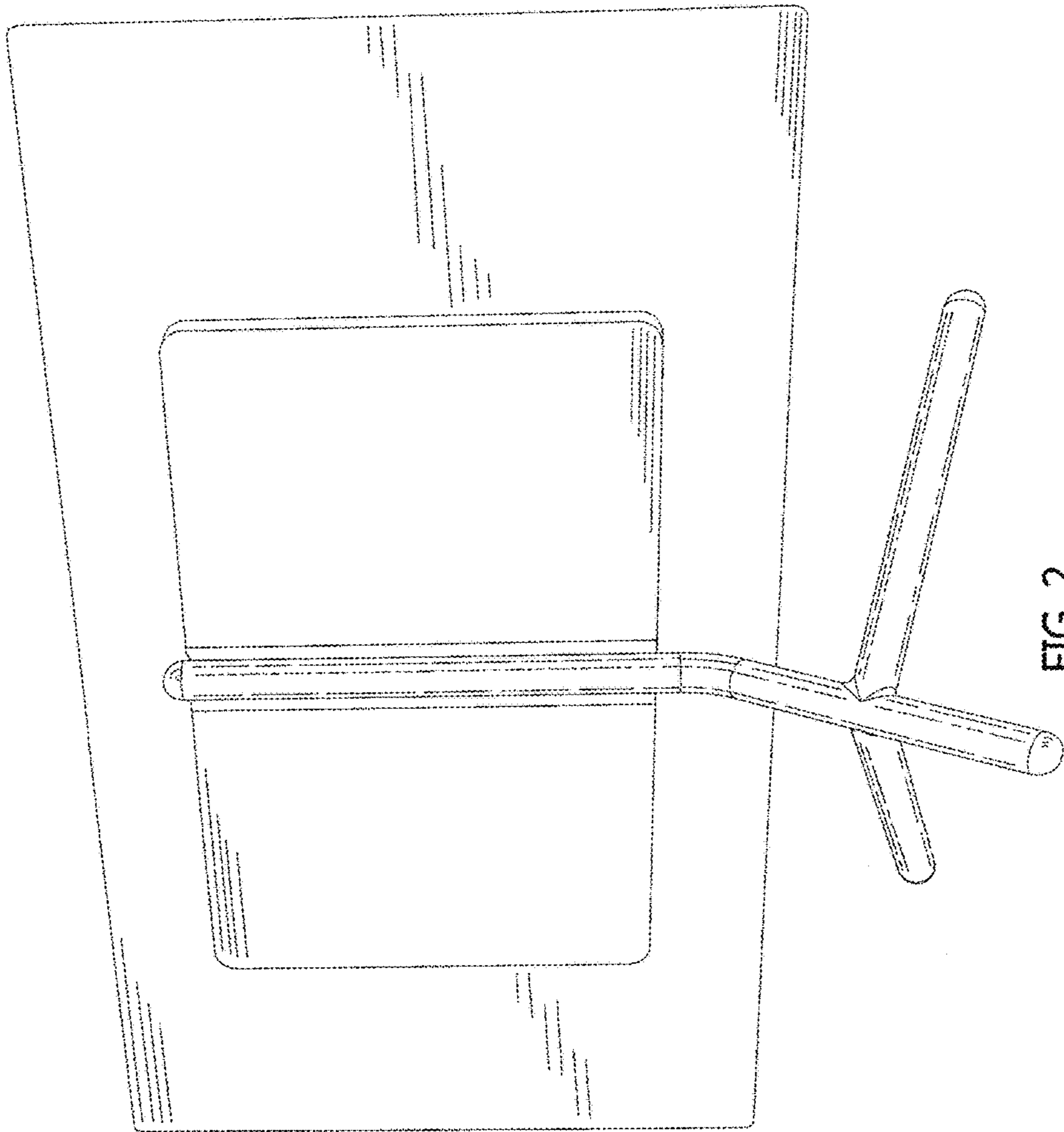


FIG. 2

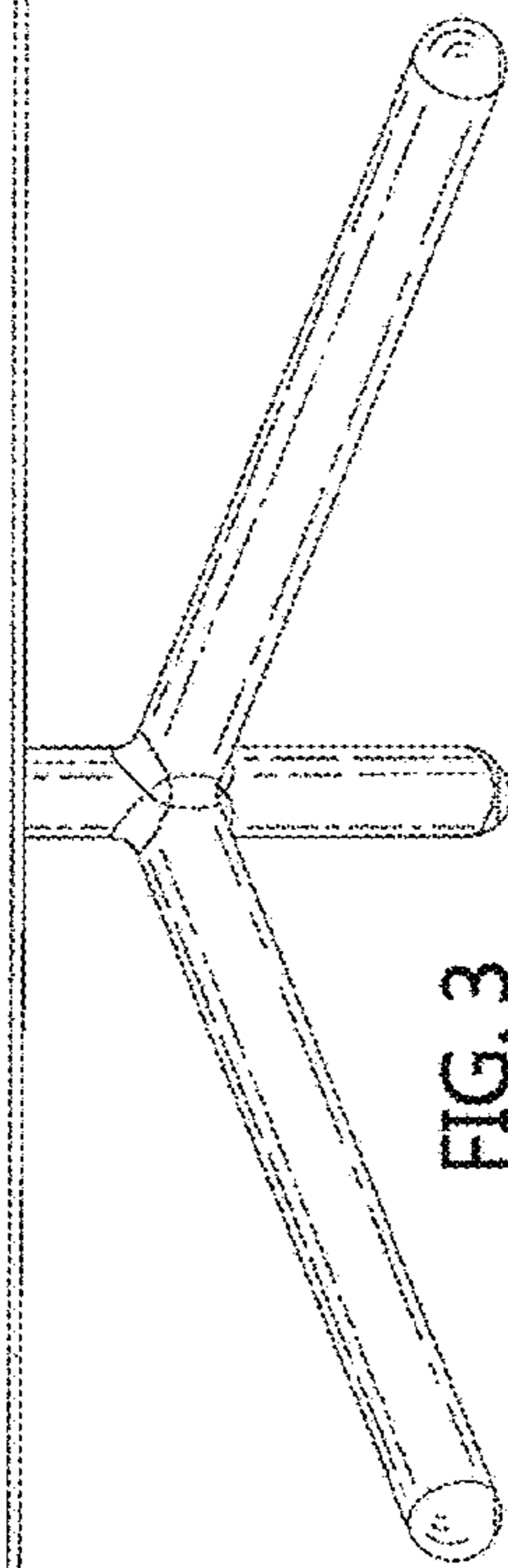
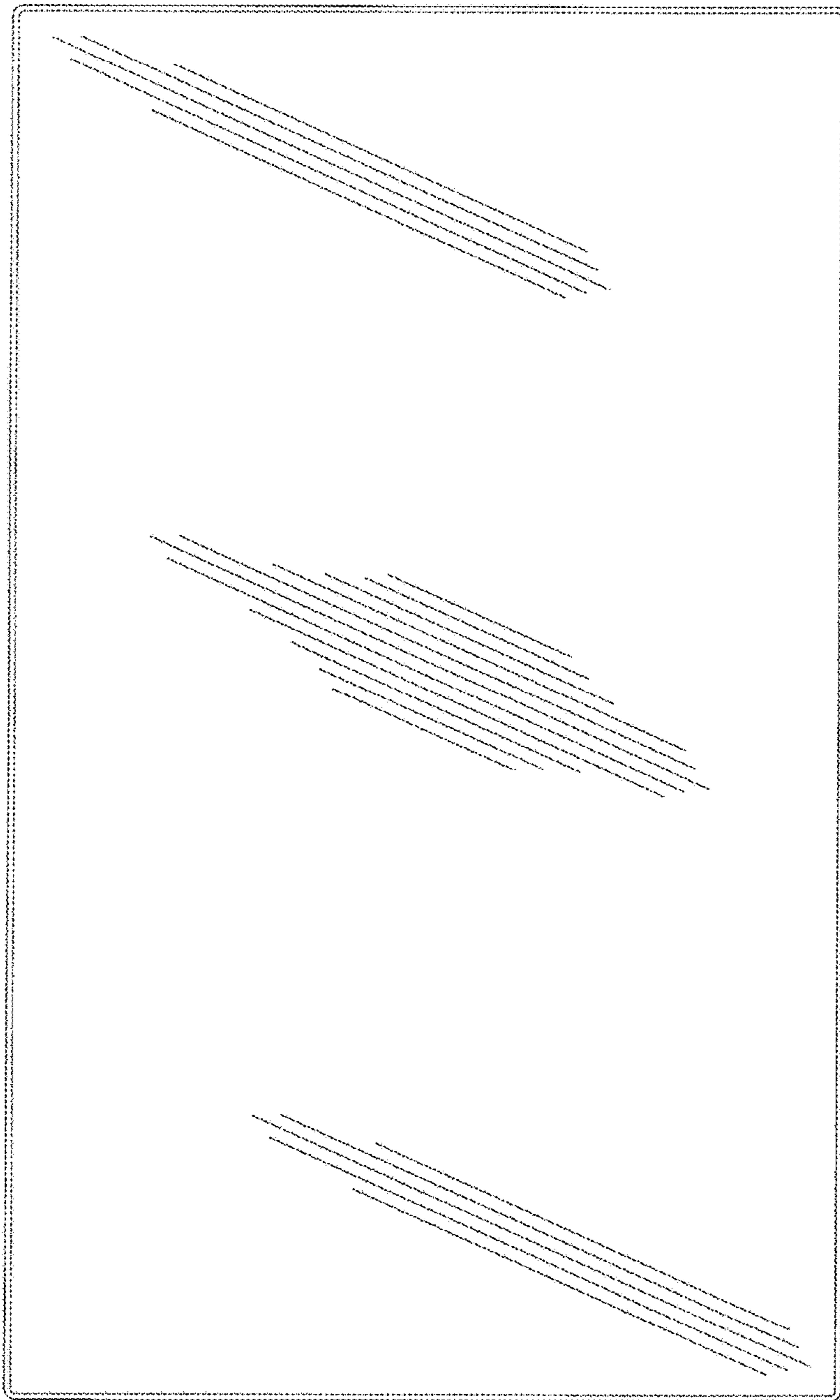


FIG. 3

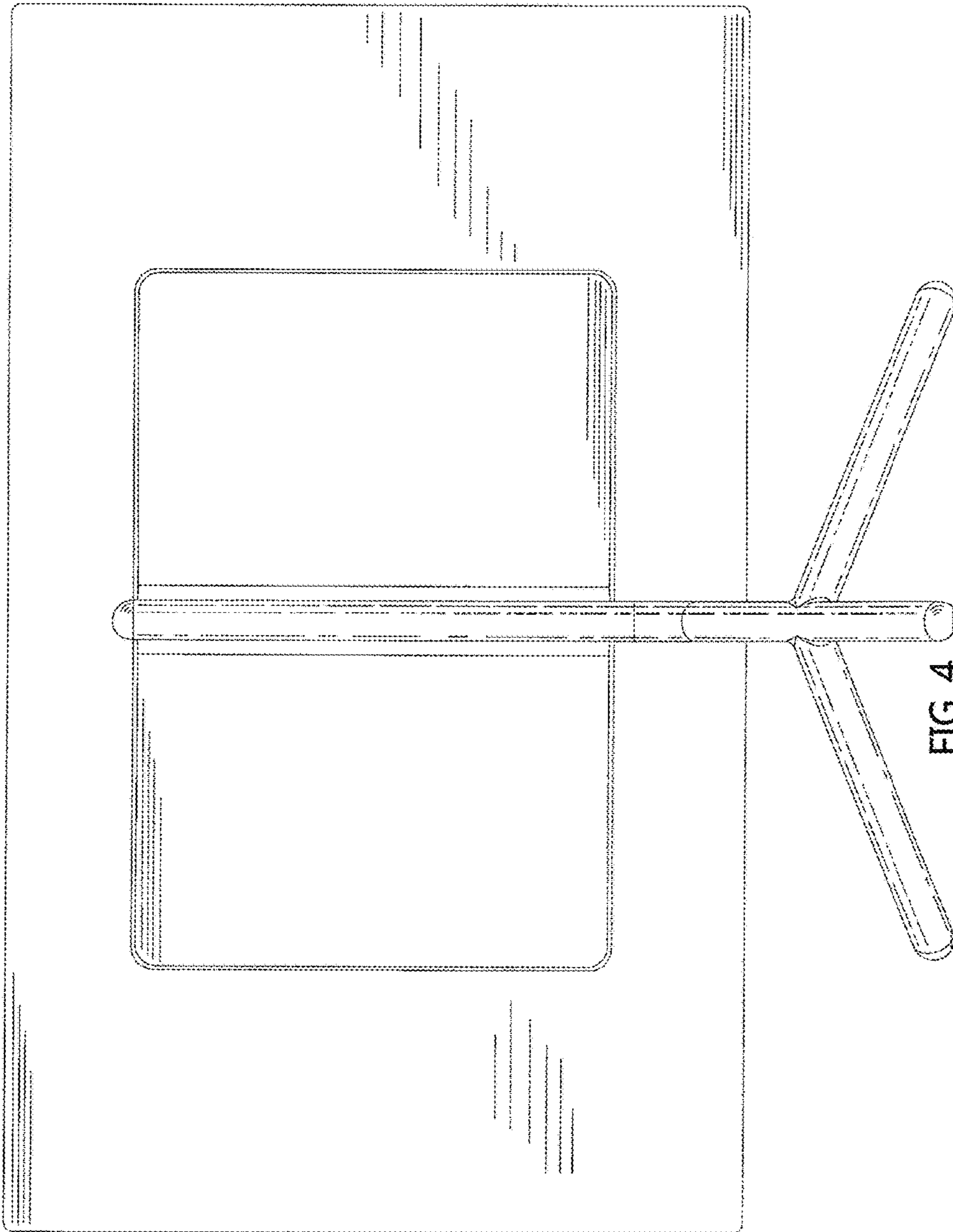


FIG. 4

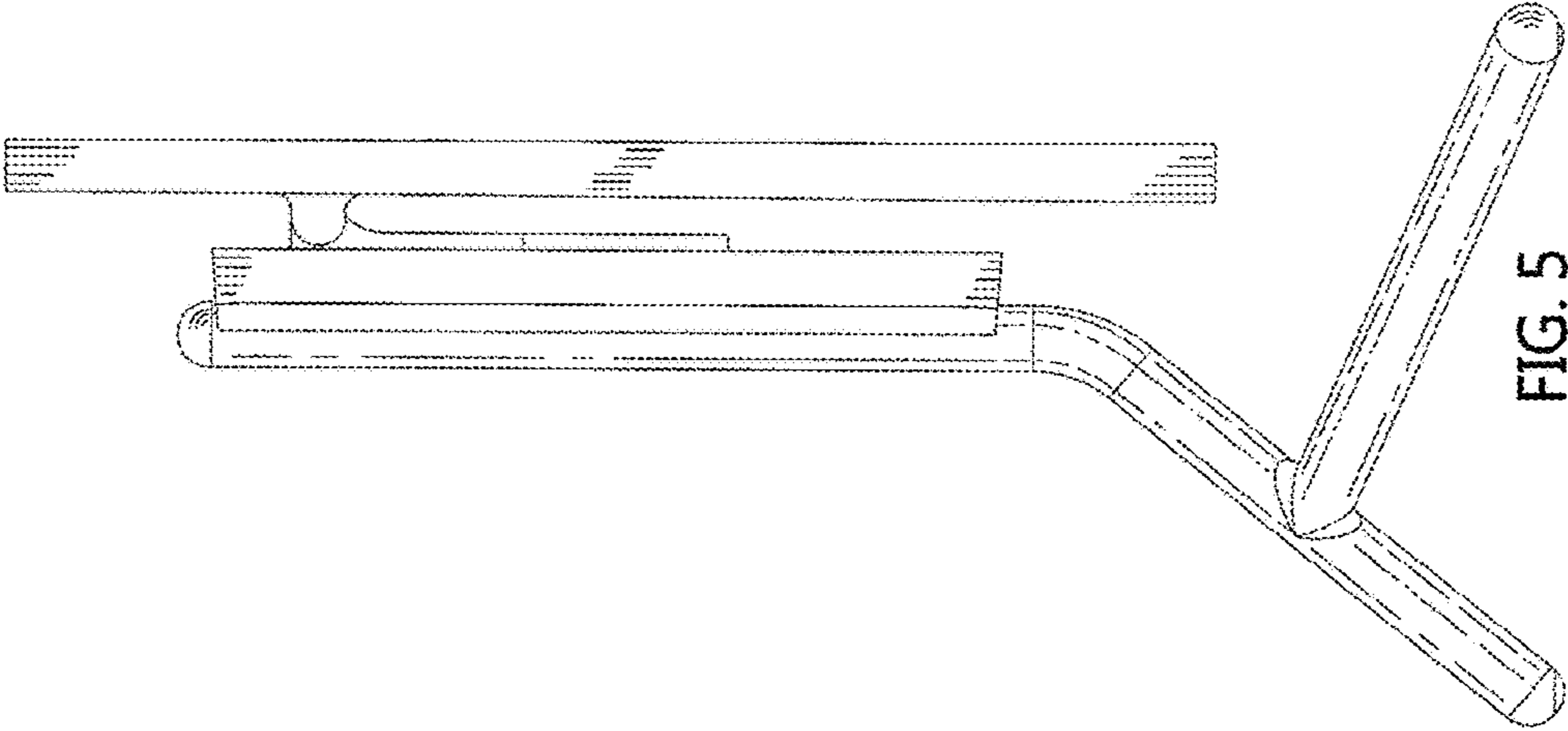


FIG. 5

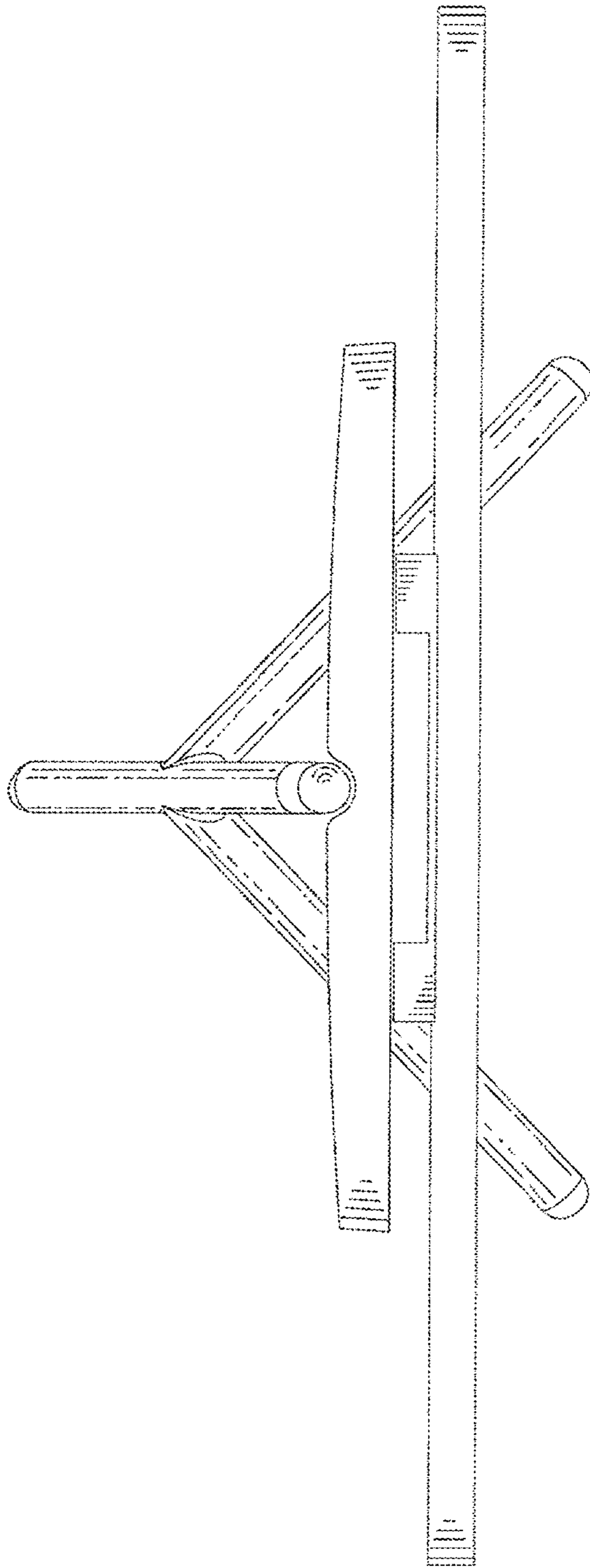


FIG. 6

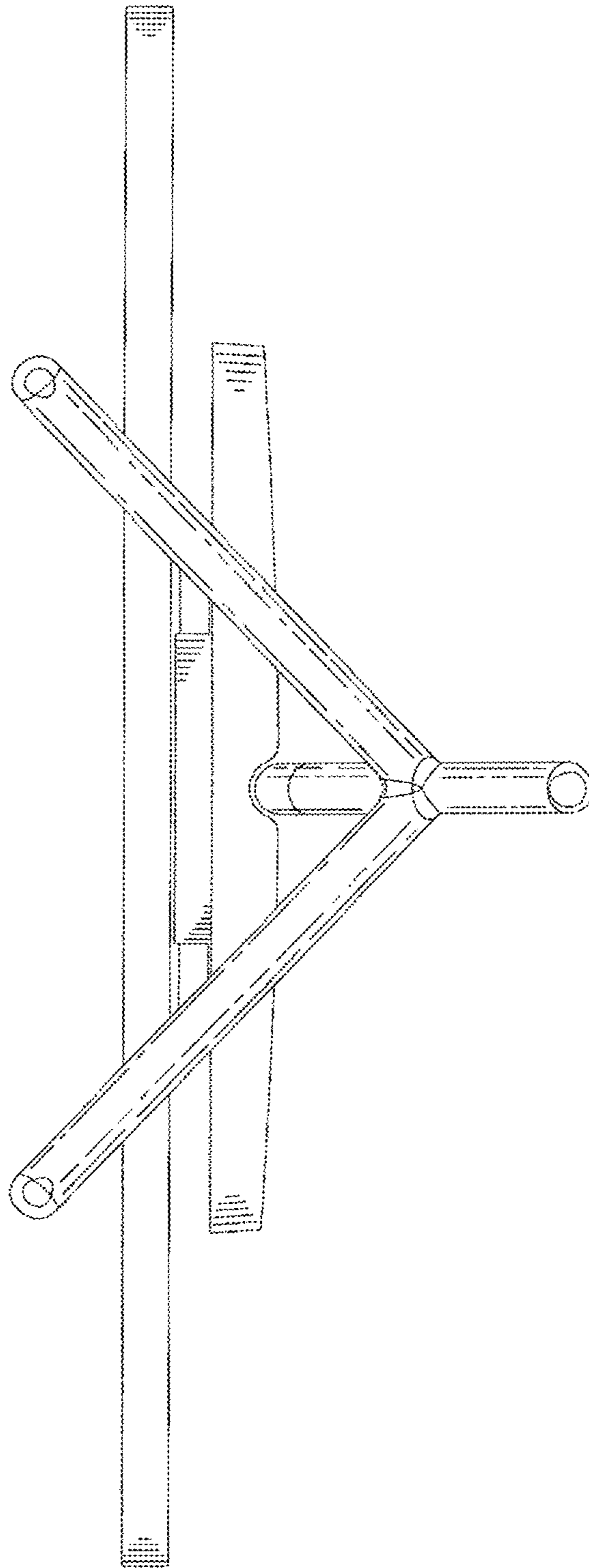


FIG. 7

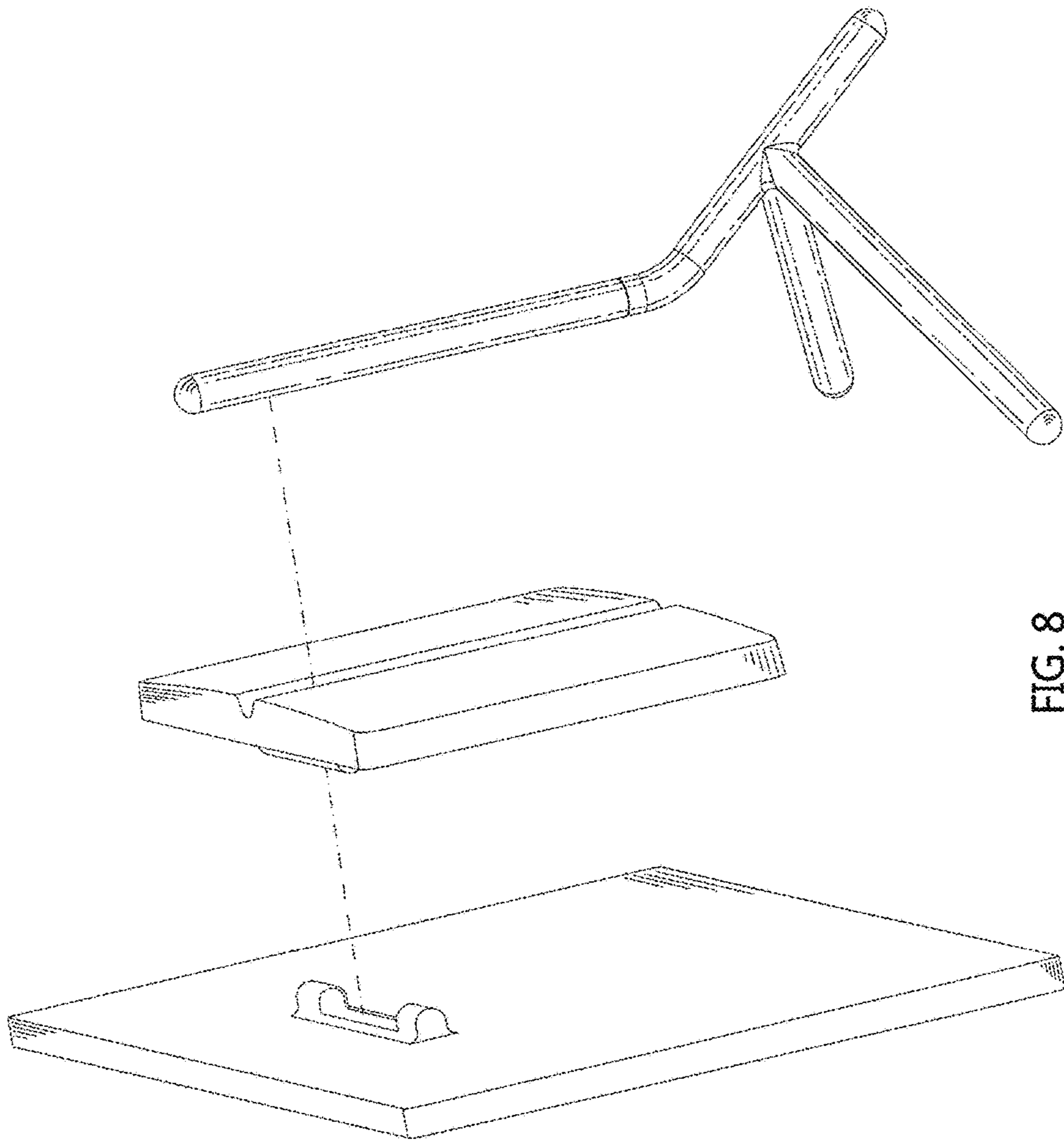


FIG. 8

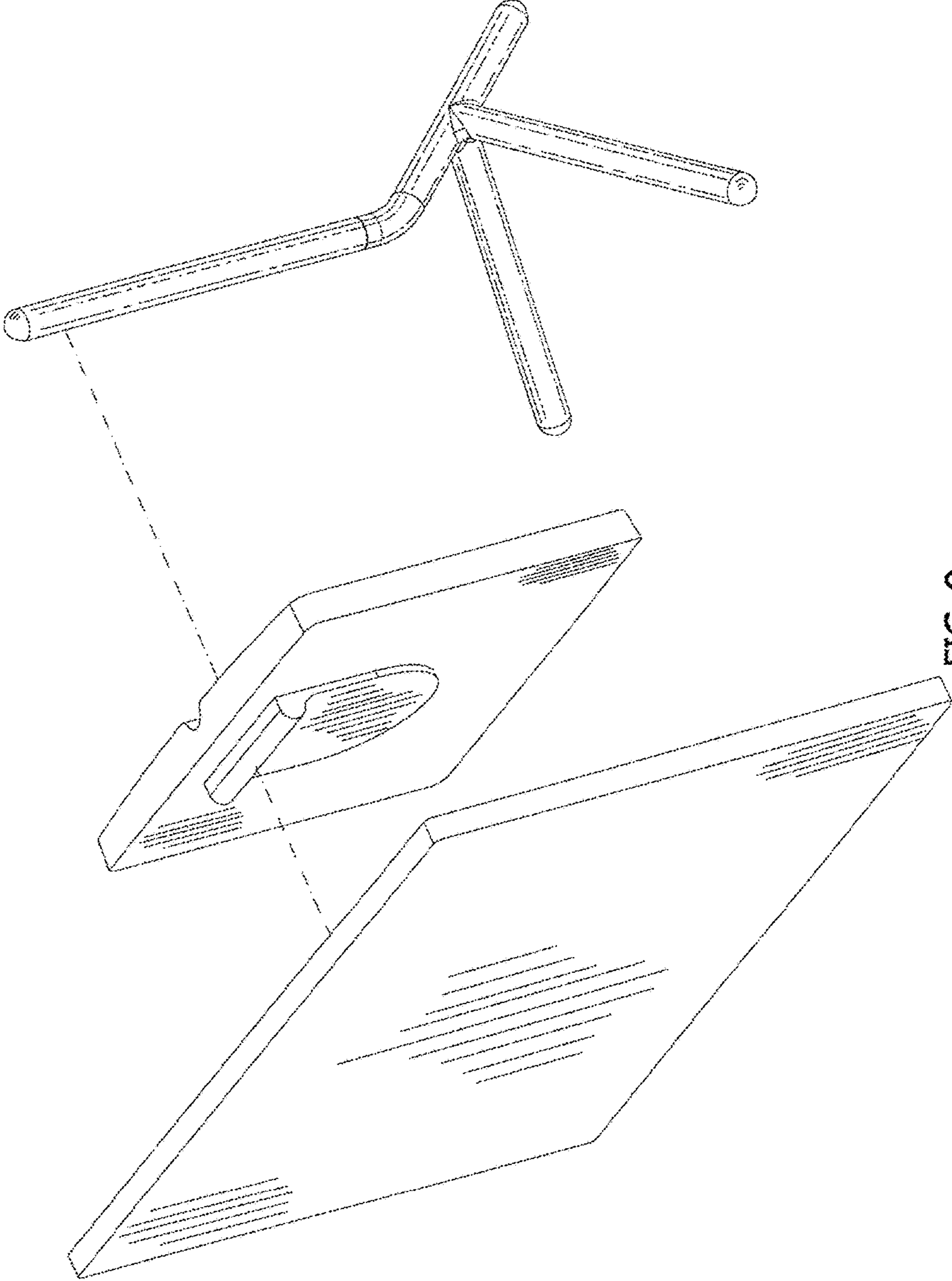


FIG. 9