



US00D817329S

(12) **United States Design Patent**  
**Chu et al.**

(10) **Patent No.:** **US D817,329 S**

(45) **Date of Patent:** **\*\* May 8, 2018**

(54) **MONITOR**

(71) Applicant: **Hewlett-Packard Development Company, L.P.**, Houston, TX (US)

(72) Inventors: **Henry Chu**, Palo Alto, CA (US); **Jack Godfrey Wood**, London (GB); **Harc Lee**, London (GB); **Marcus Hoggarth**, London (GB)

(73) Assignee: **Hewlett-Packard Development Company, L.P.**, Houston, TX (US)

(\*\*) Term: **15 Years**

(21) Appl. No.: **29/599,481**

(22) Filed: **Apr. 4, 2017**

(51) **LOC (11) Cl.** ..... **14-02**

(52) **U.S. Cl.**  
USPC ..... **D14/374**; D14/336

(58) **Field of Classification Search**  
USPC ..... D14/371-375, 125-129, 336, 337; D6/300, 308; D19/113, 114; D20/10; D18/4.4-4.6  
CPC ..... G09F 15/0025; G09F 15/0062; G09F 15/0068; G06F 1/16; G06F 1/1613; G06F 1/133308; G06F 1/1601; G06F 3/037; G06F 1/162; F16M 11/02; F16M 11/10; F16M 11/00; F16M 11/06; F16M 11/18; F16M 11/045; F16M 11/105; F16M 11/041; F16M 11/126; F16M 11/04; F16M 11/24; F16M 13/02; A47F 5/00  
See application file for complete search history.

(56) **References Cited**

**U.S. PATENT DOCUMENTS**

D620,907 S \* 8/2010 Shimizu ..... D14/126  
D635,107 S \* 3/2011 Chu ..... D14/126

D648,336 S \* 11/2011 Yagi ..... D14/374  
D694,750 S \* 12/2013 Shin ..... D14/337  
D729,799 S \* 5/2015 Jung ..... D14/374  
2006/0237599 A1 \* 10/2006 Ternus ..... F16M 11/10  
248/176.1

\* cited by examiner

*Primary Examiner* — Freda S Nunn

(74) *Attorney, Agent, or Firm* — Morgan, Lewis & Bockius LLP

(57) **CLAIM**

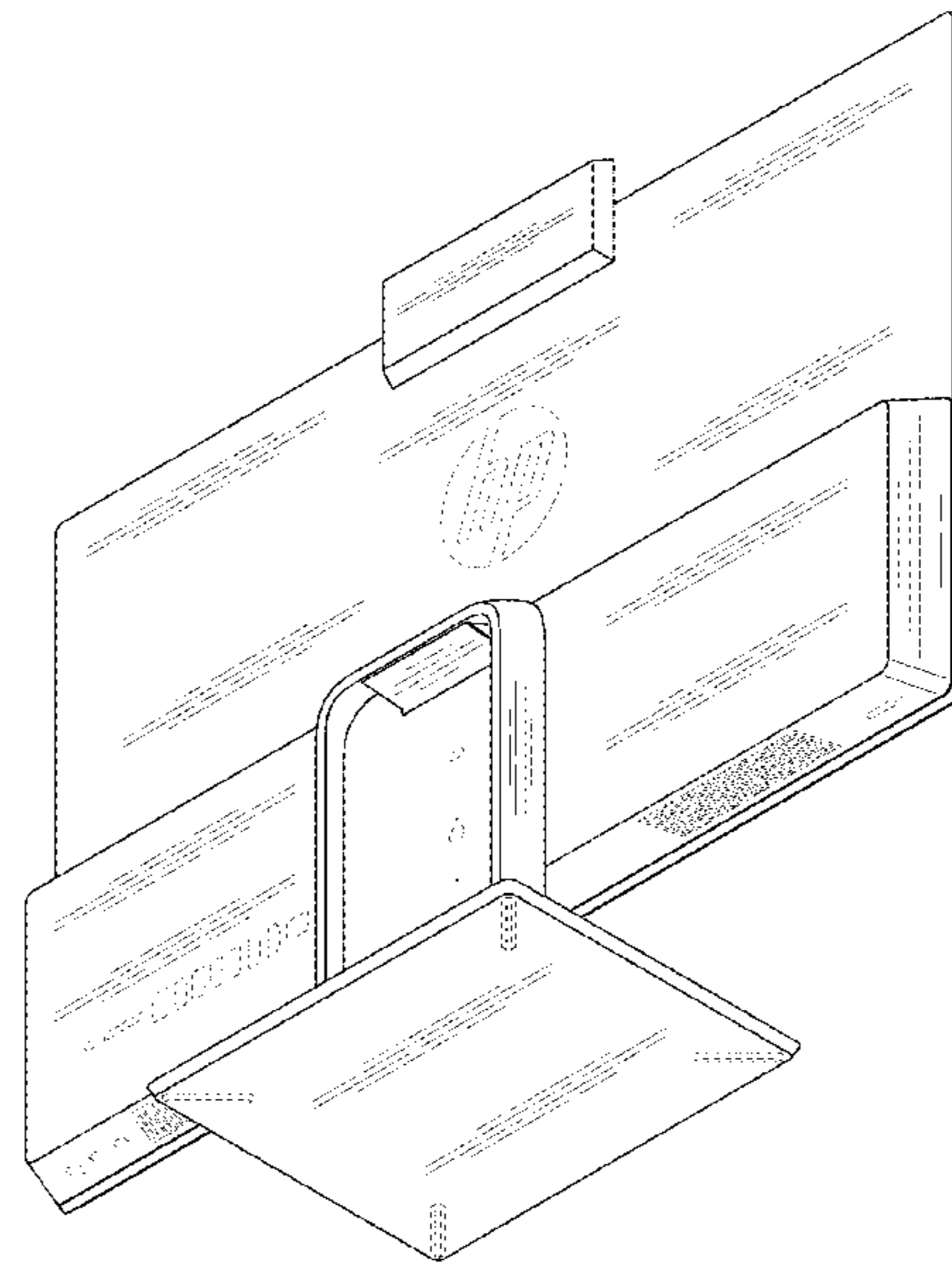
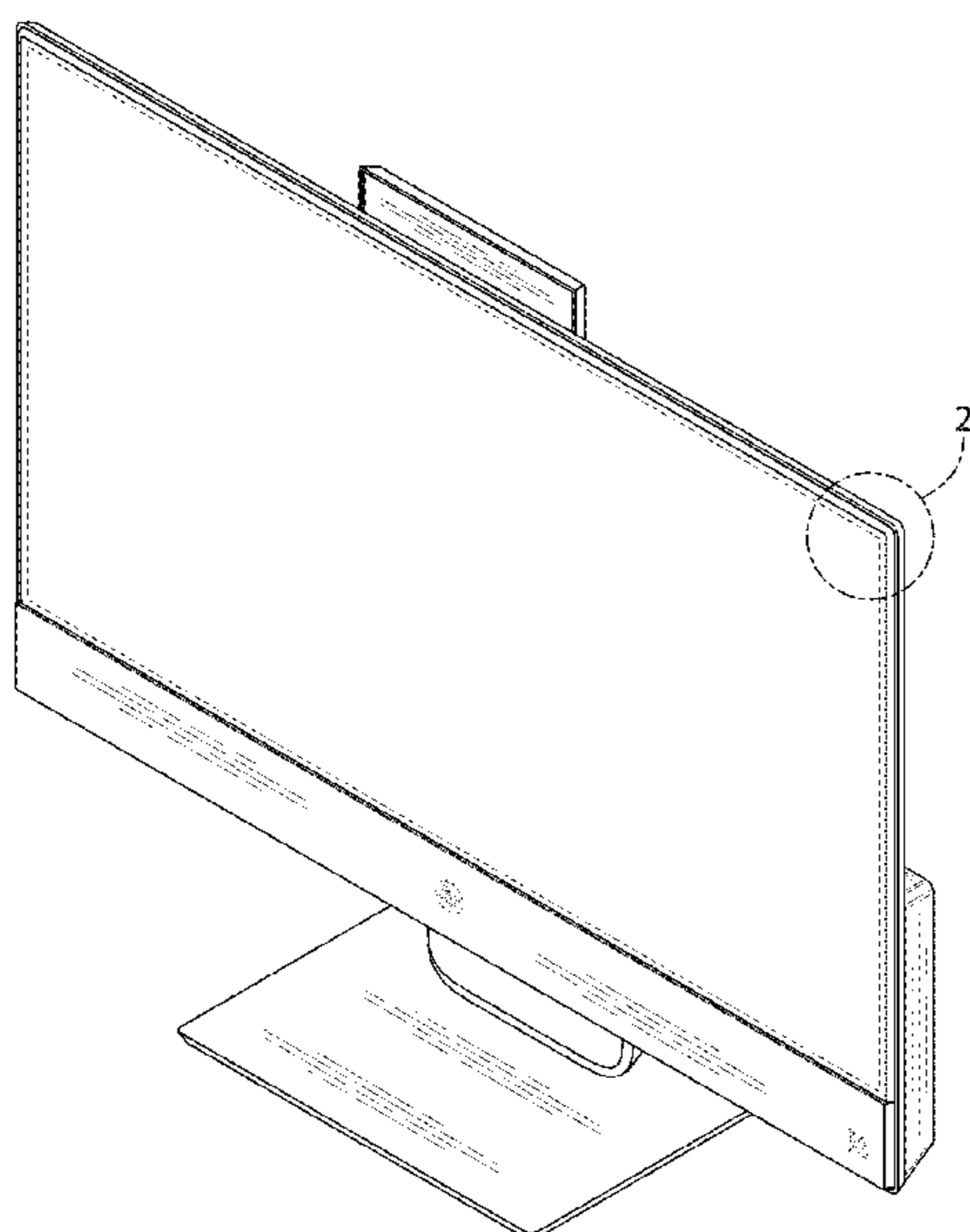
The ornamental design for a monitor, as shown and described.

**DESCRIPTION**

FIG. 1 is a top, front, left-side, perspective view of a monitor showing our new design;  
FIG. 2 is a top, front, left-side perspective view of the portion of the monitor shown within circle 2 of FIG. 1;  
FIG. 3 is a bottom, rear, right-side, perspective view of the monitor shown in FIG. 1;  
FIG. 4 is a front elevational view of the monitor shown in FIG. 1;  
FIG. 5 is a rear elevational view of the monitor shown in FIG. 1;  
FIG. 6 is a left-side elevational view of the monitor shown in FIG. 1;  
FIG. 7 is a right-side elevational view of the monitor shown in FIG. 1;  
FIG. 8 is a top plan view of the monitor shown in FIG. 1; and,  
FIG. 9 is a bottom plan view of the monitor shown in FIG. 1.

The broken lines shown in the drawings represent portions of the monitor that form no part of the claimed design.

**1 Claim, 8 Drawing Sheets**



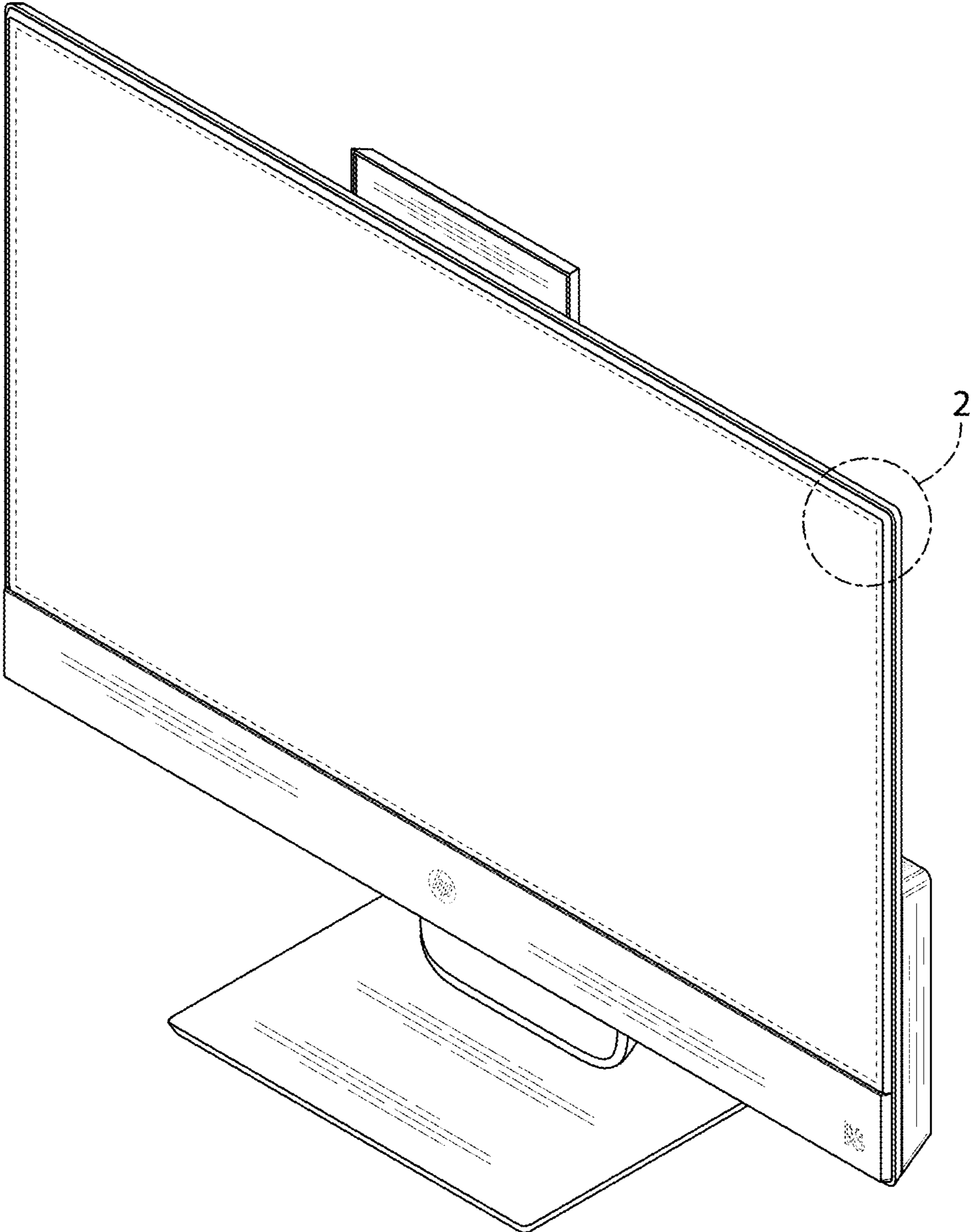


FIG. 1

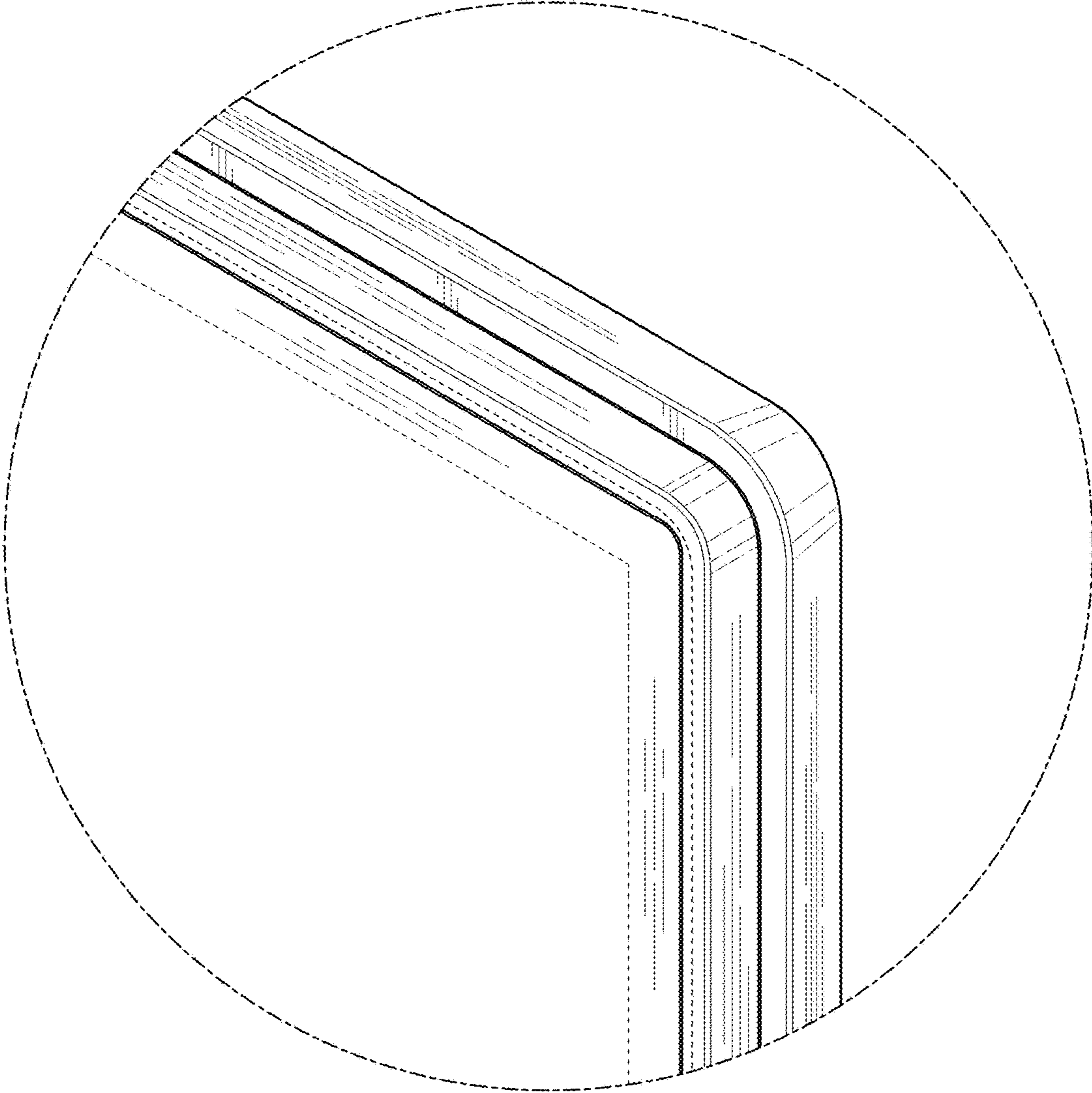


FIG. 2

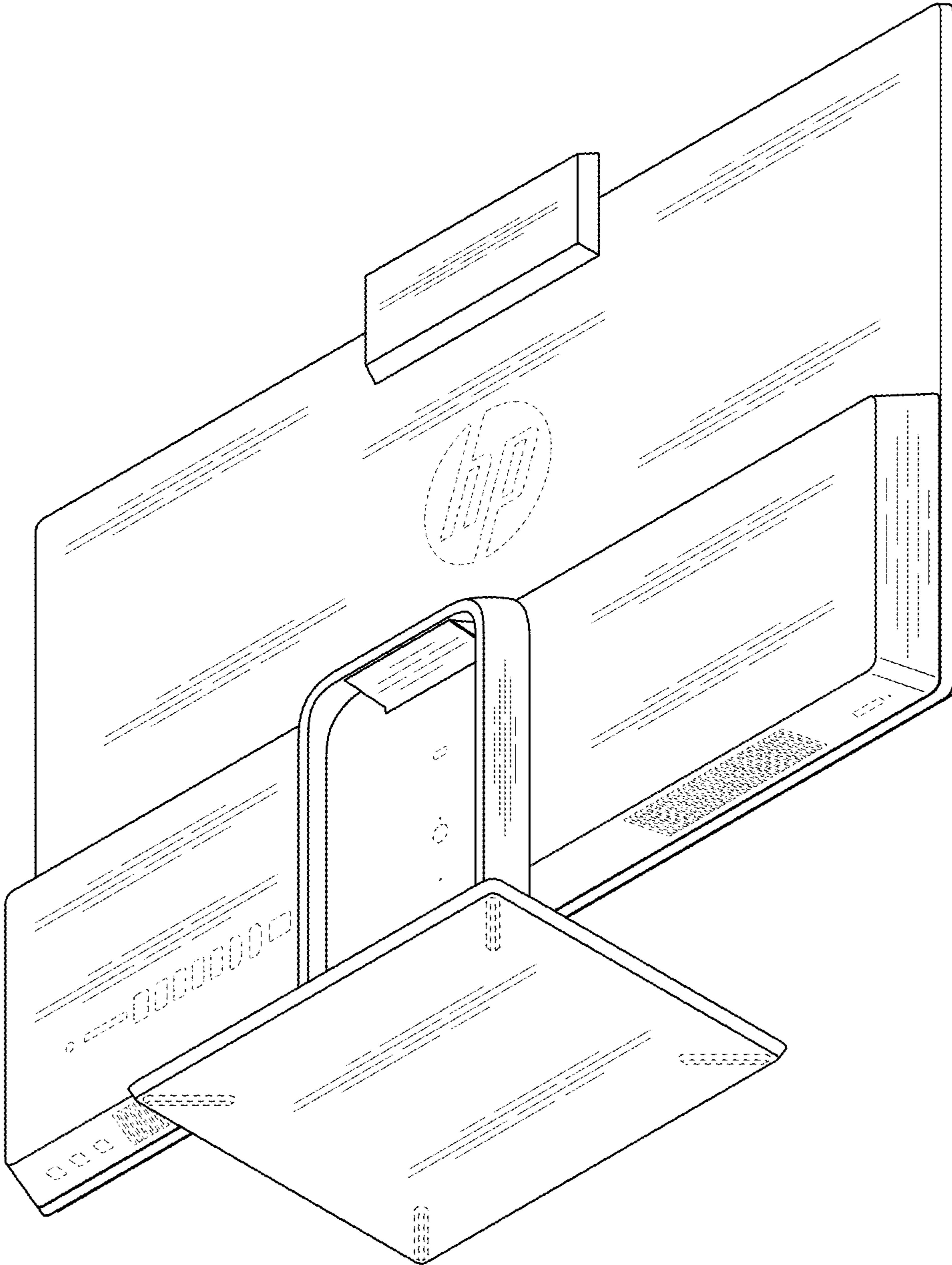


FIG. 3

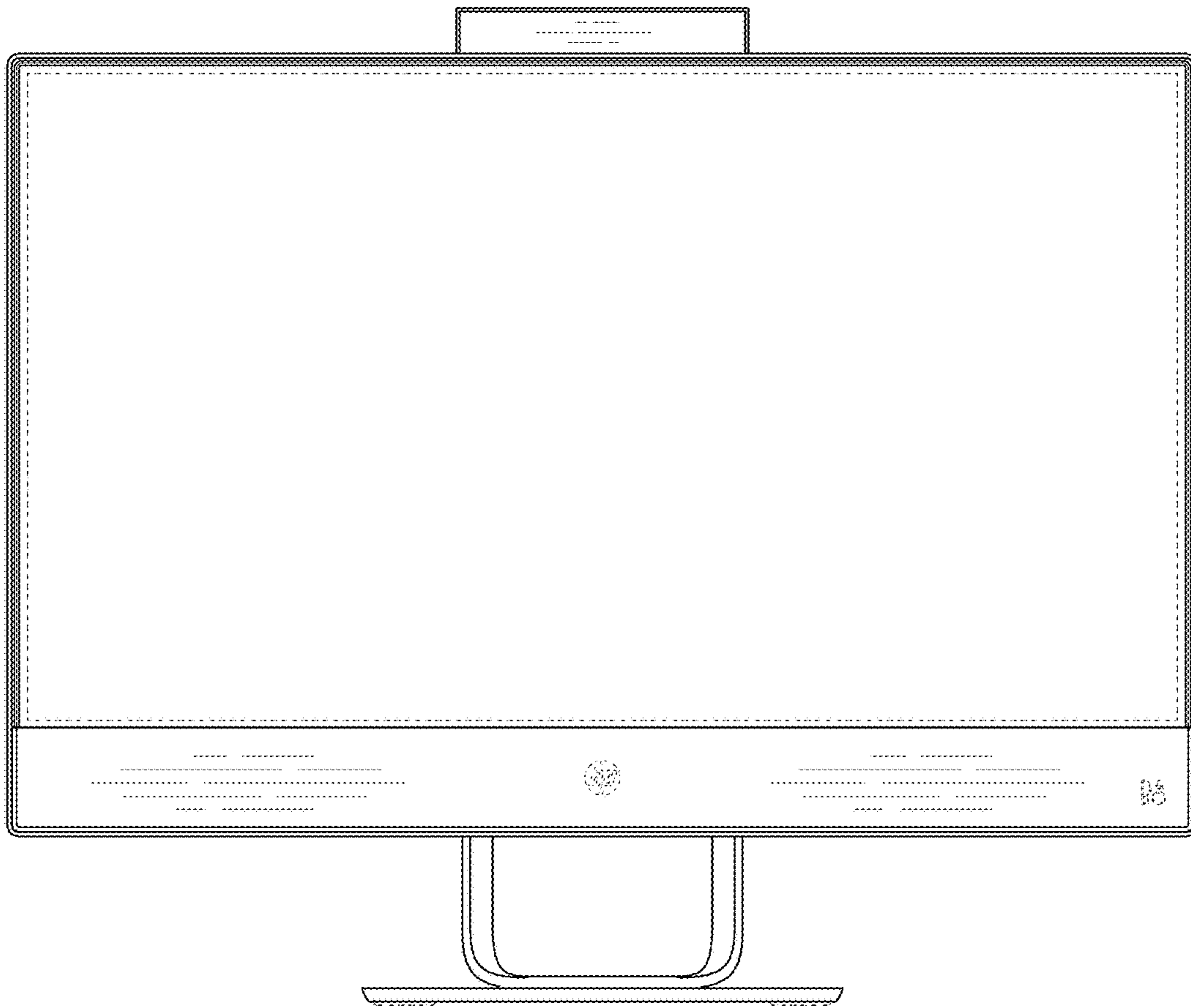


FIG. 4

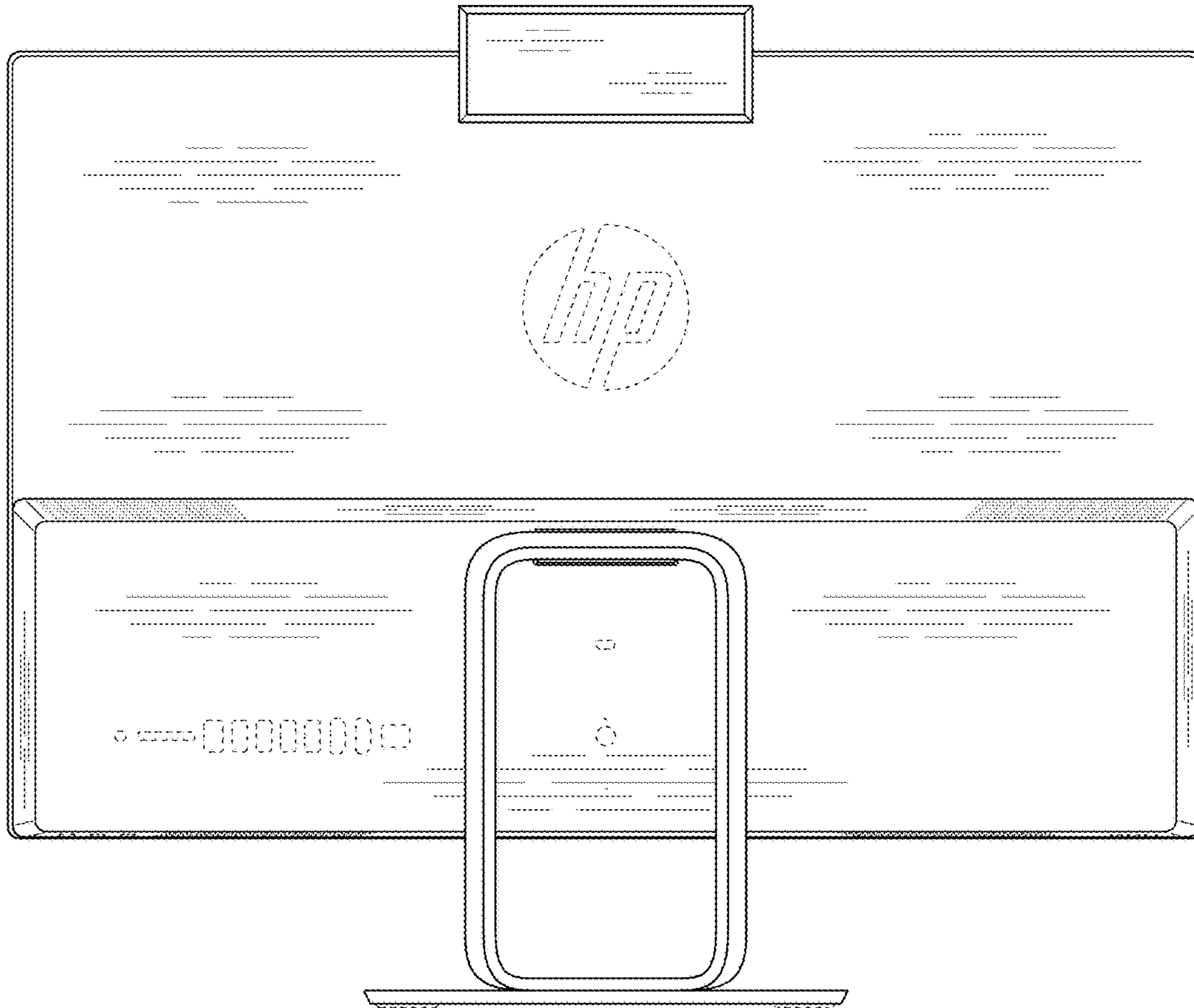


FIG. 5

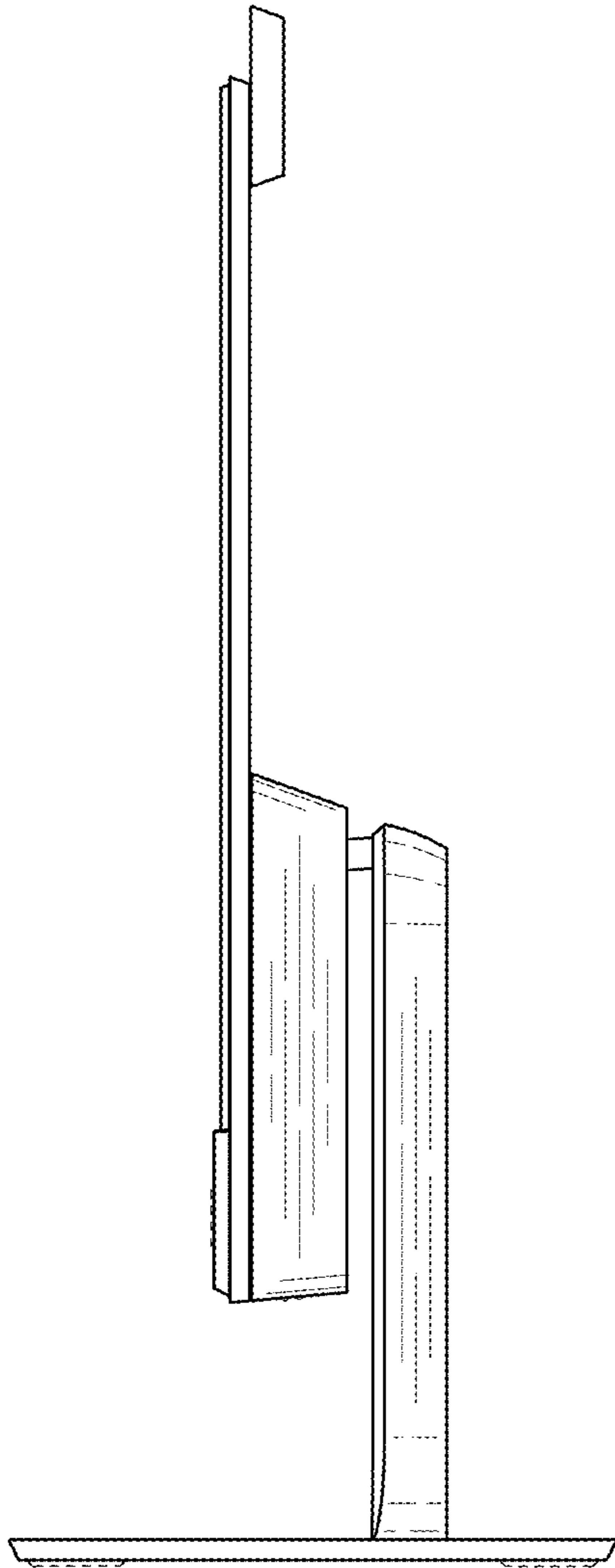


FIG. 6

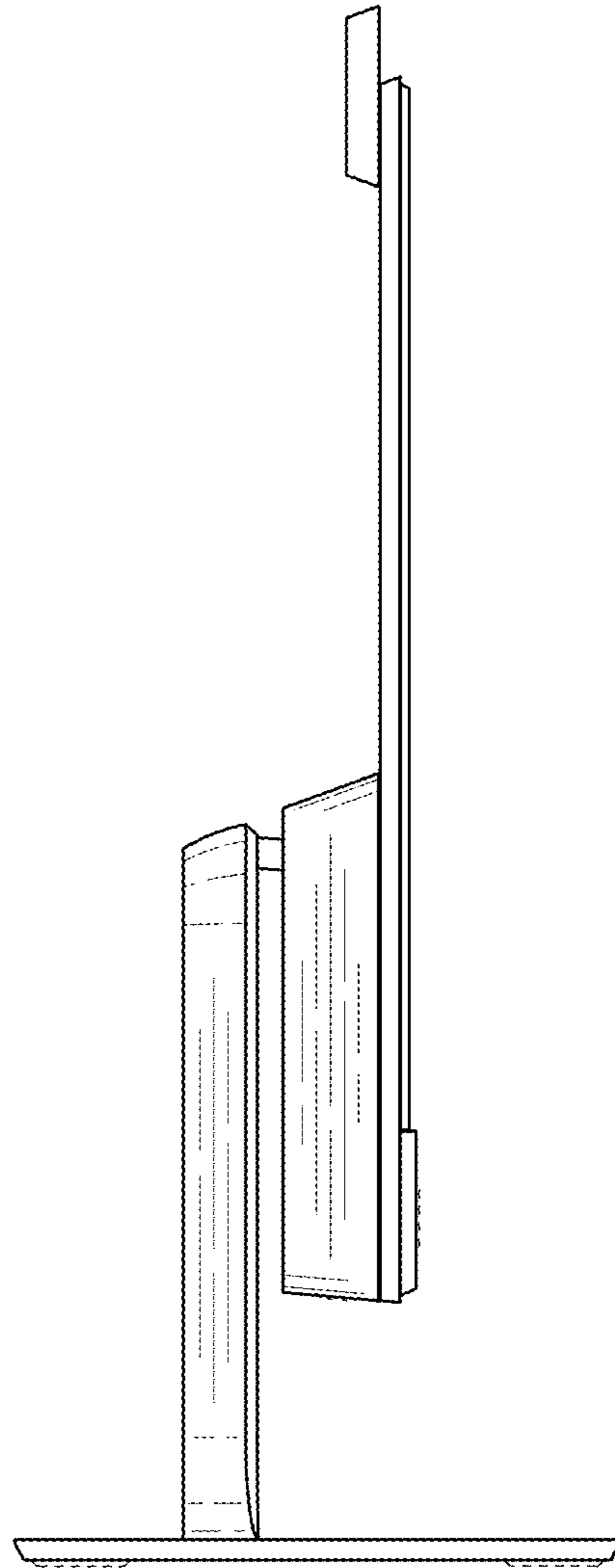


FIG. 7

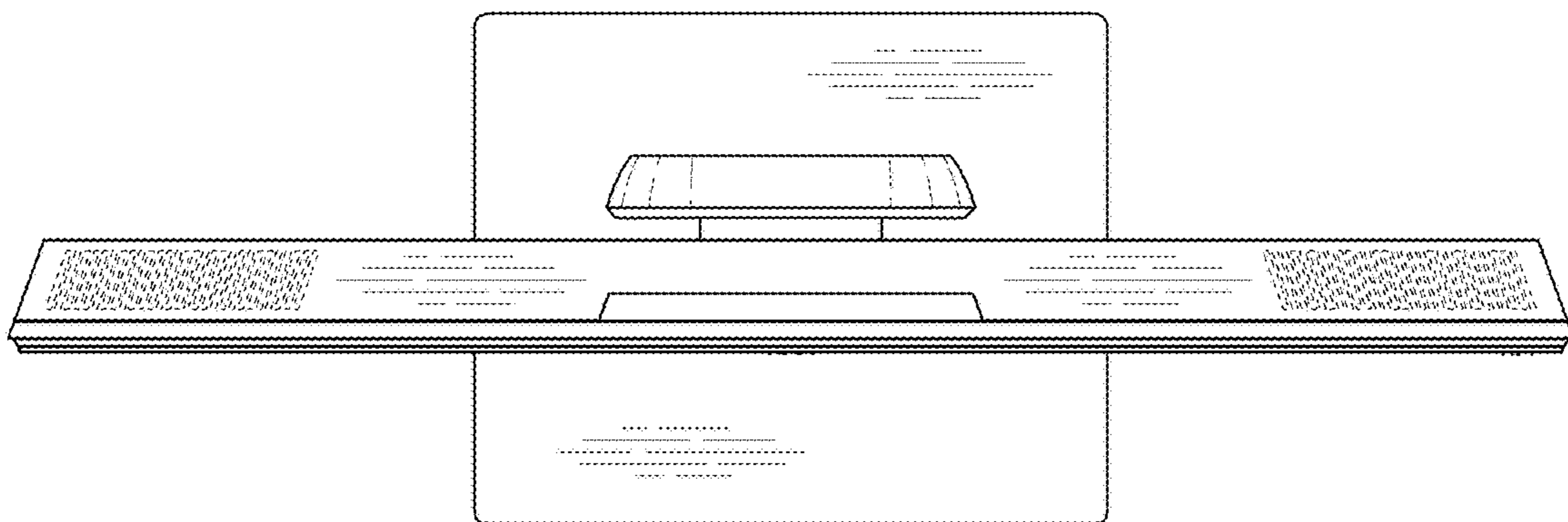


FIG. 8



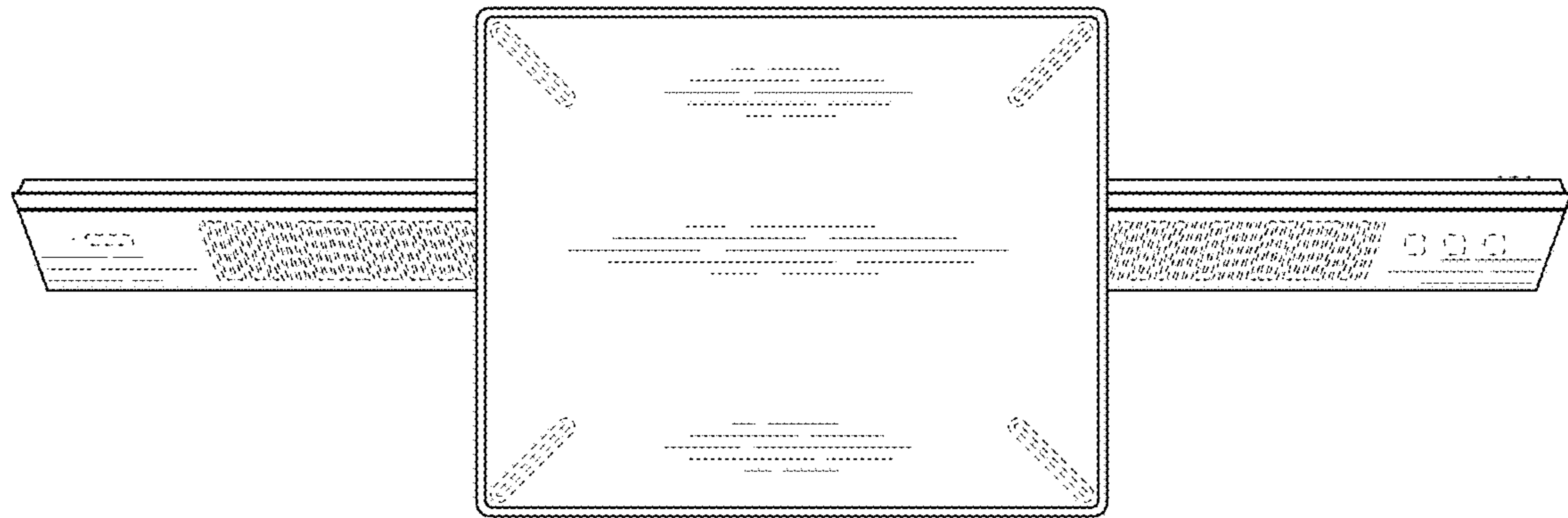


FIG. 9