



US00D817323S

(12) **United States Design Patent** (10) **Patent No.:** **US D817,323 S**  
**Eun** (45) **Date of Patent:** **\*\* May 8, 2018**

(54) **TERMINAL FOR MANAGING SELLING INFORMATION**  
(71) Applicant: **POSBANK CO., LTD.**, Seoul (KR)  
(72) Inventor: **Dong Uk Eun**, Gyeonggi-do (KR)  
(73) Assignee: **POSBANK CO., LTD.**, Seoul (KR)  
(\*\*) Term: **15 Years**  
(21) Appl. No.: **29/598,227**  
(22) Filed: **Mar. 23, 2017**  
(51) **LOC (11) Cl.** ..... **14-02**  
(52) **U.S. Cl.**  
USPC ..... **D14/336**  
(58) **Field of Classification Search**  
USPC ..... D14/371-375, 125-129, 336, 337;  
D6/300, 308; D19/113, 114; D20/10;  
D18/4.4-4.6  
CPC ..... G09F 15/0025; G09F 15/0062; G09F  
15/0068; G06F 1/16; G06F 1/1613; G06F  
1/133308; G06F 1/1601; G06F 3/037;  
G06F 1/162; F16M 11/02; F16M 11/10;  
F16M 11/00; F16M 11/06; F16M 11/18;  
F16M 11/045; F16M 11/105; F16M  
11/041; F16M 11/126; F16M 11/04;  
F16M 11/24; F16M 13/02; A47F 5/00  
See application file for complete search history.

D744,479 S \* 12/2015 Haller ..... D14/336  
D746,902 S \* 1/2016 Lyons ..... D18/4.5  
2014/0144988 A1 \* 5/2014 Chiang ..... G06F 1/1607  
235/449  
2015/0199668 A1 \* 7/2015 Fernando ..... G06Q 20/203  
705/14.65

\* cited by examiner

*Primary Examiner* — Freda S Nunn

(74) *Attorney, Agent, or Firm* — Marshall, Gerstein & Borun LLP

(57) **CLAIM**

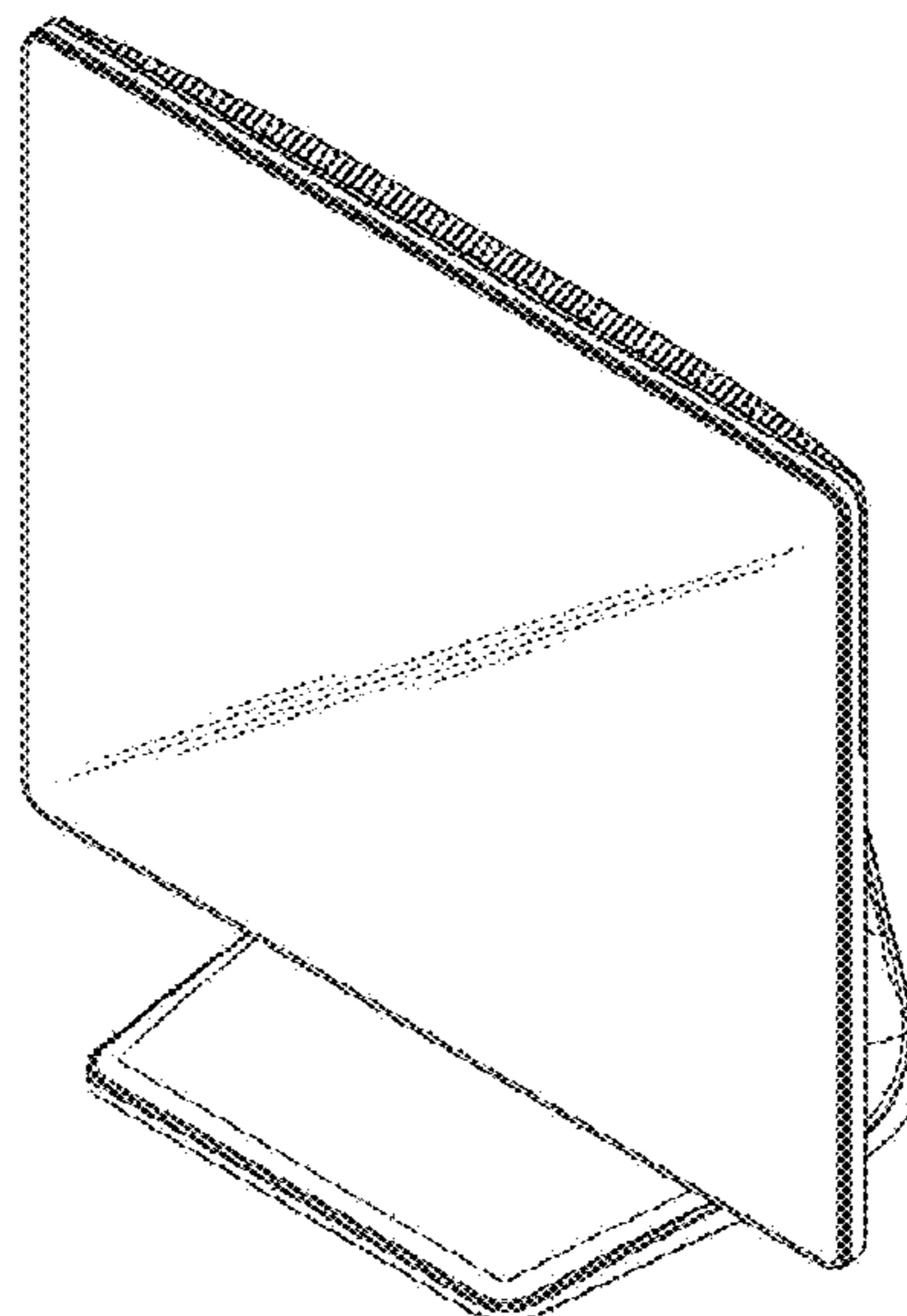
The ornamental design for a terminal for managing selling information, as shown and described.

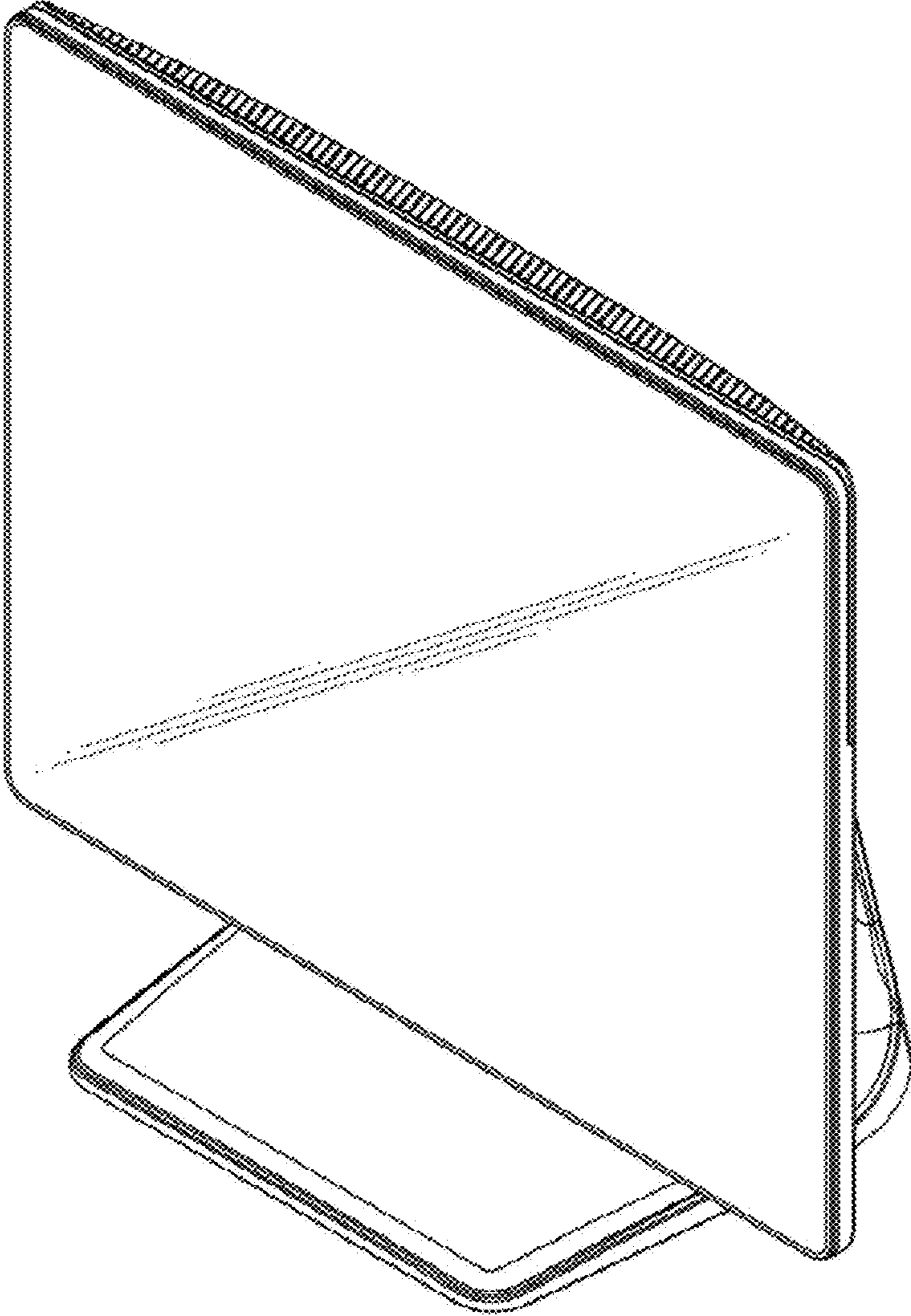
**DESCRIPTION**

FIG. 1 is a perspective view of a terminal for managing selling information showing my new design;  
FIG. 2 is a front elevational view thereof;  
FIG. 3 is a rear elevational view thereof;  
FIG. 4 is a left side elevational view thereof,  
FIG. 5 is a right side elevational view thereof;  
FIG. 6 is a top plan view thereof; and,  
FIG. 7 is a bottom plan view thereof.

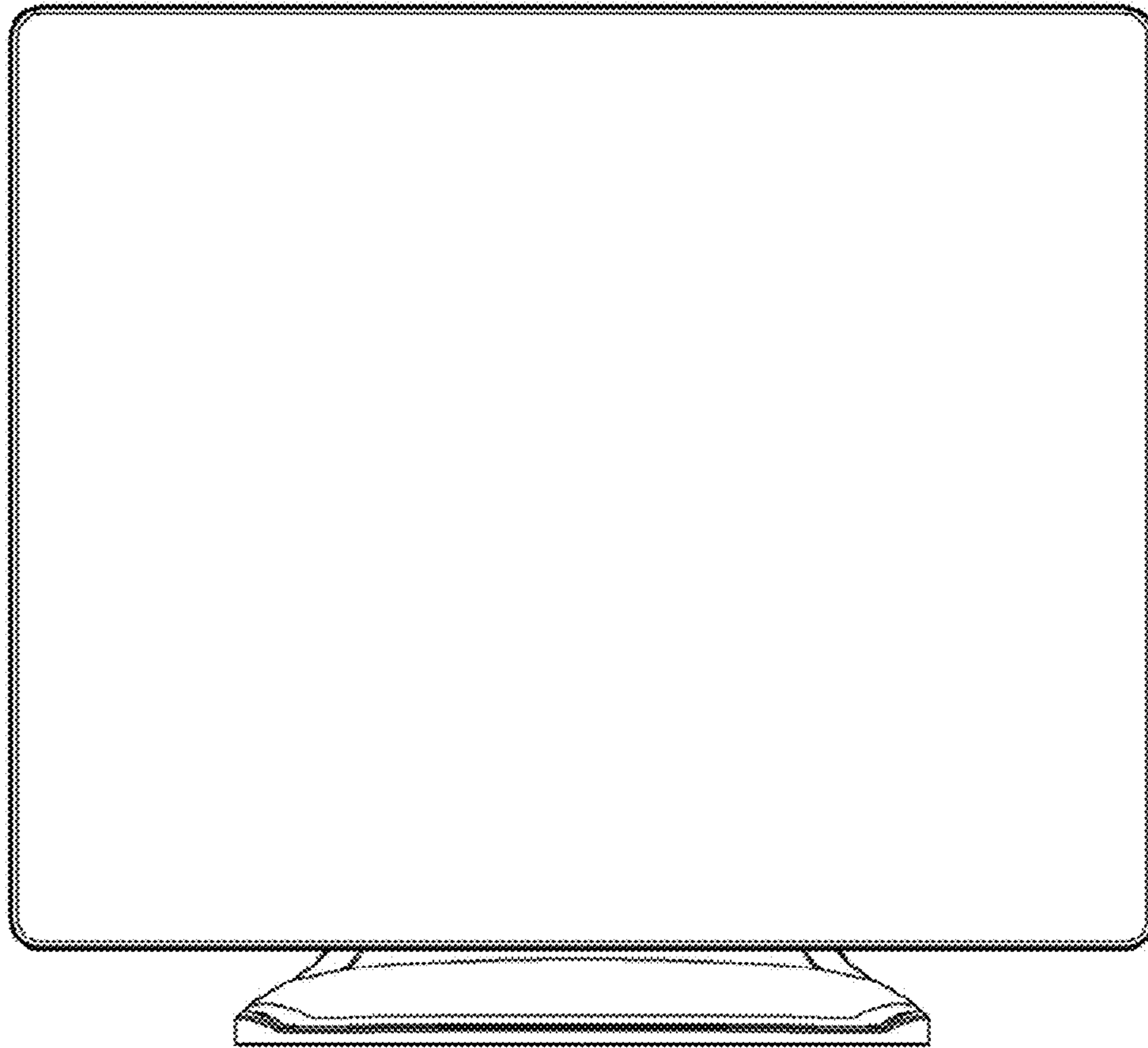
**1 Claim, 7 Drawing Sheets**

(56) **References Cited**  
U.S. PATENT DOCUMENTS  
7,016,181 B2 \* 3/2006 Ito ..... G06F 1/1626  
248/122.1  
D647,898 S \* 11/2011 Haller ..... D14/336  
D713,447 S \* 9/2014 Balar ..... D18/4.6  
D714,289 S \* 9/2014 Shoda ..... D14/371

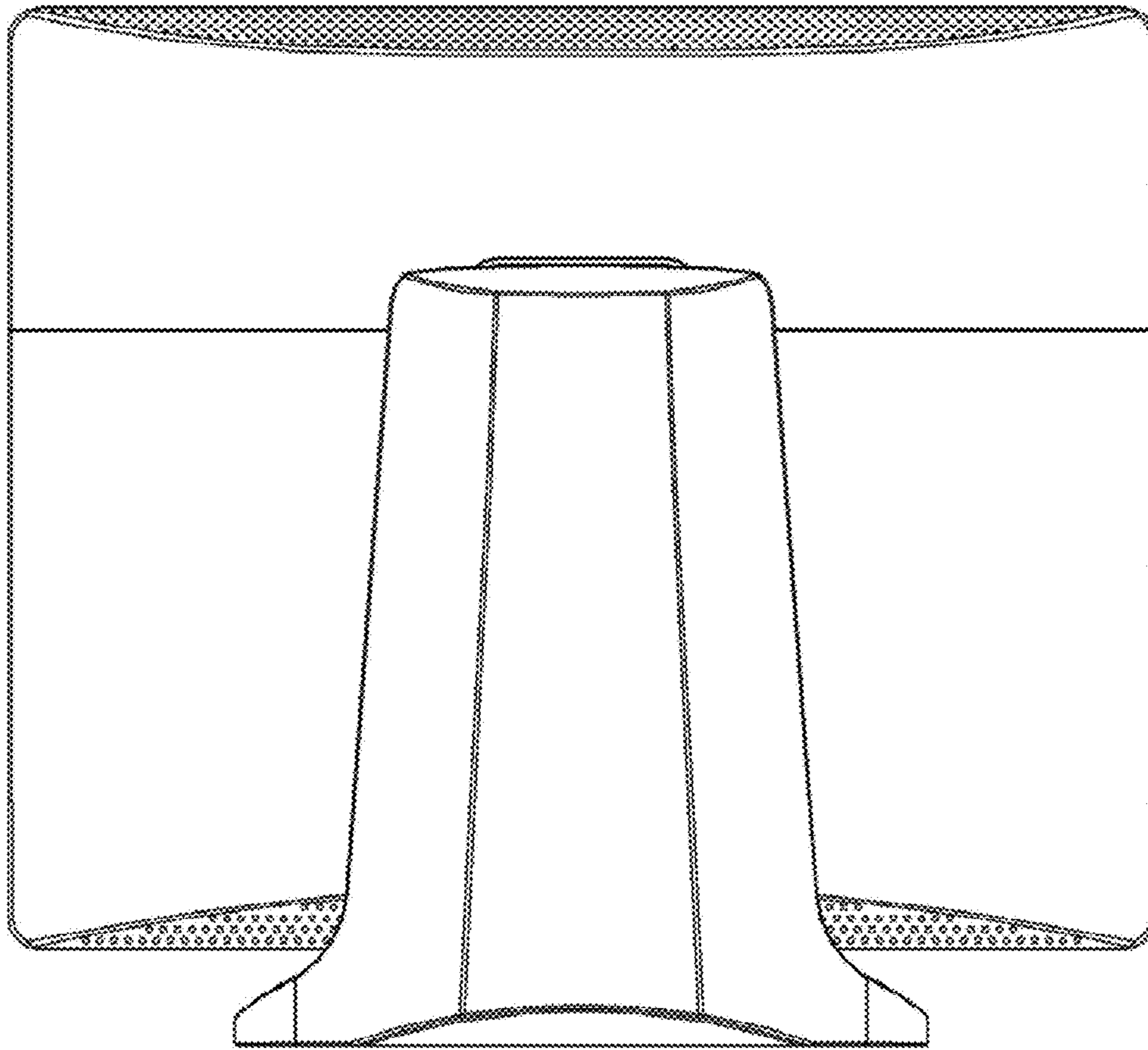




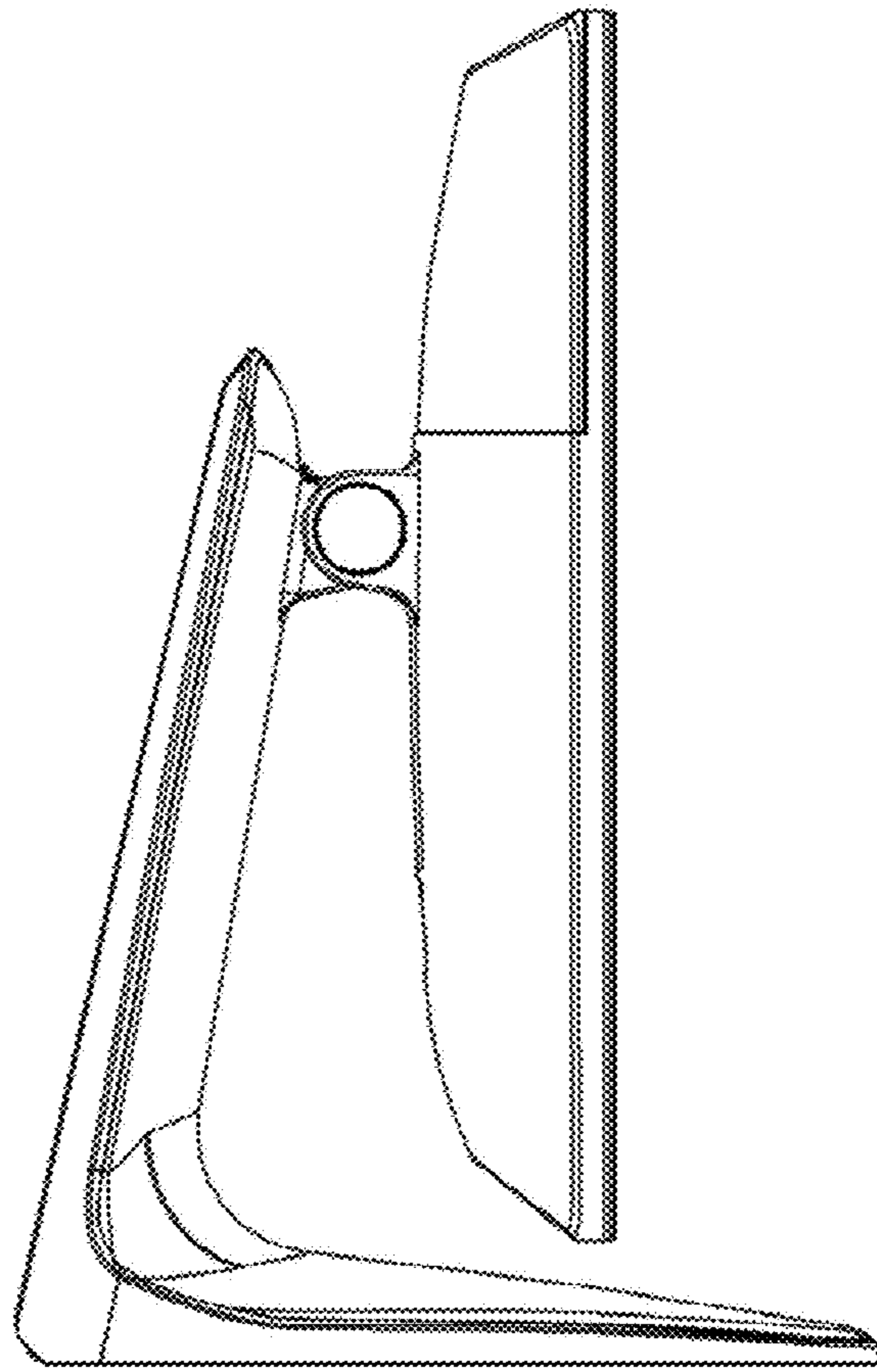
**FIG. 1**



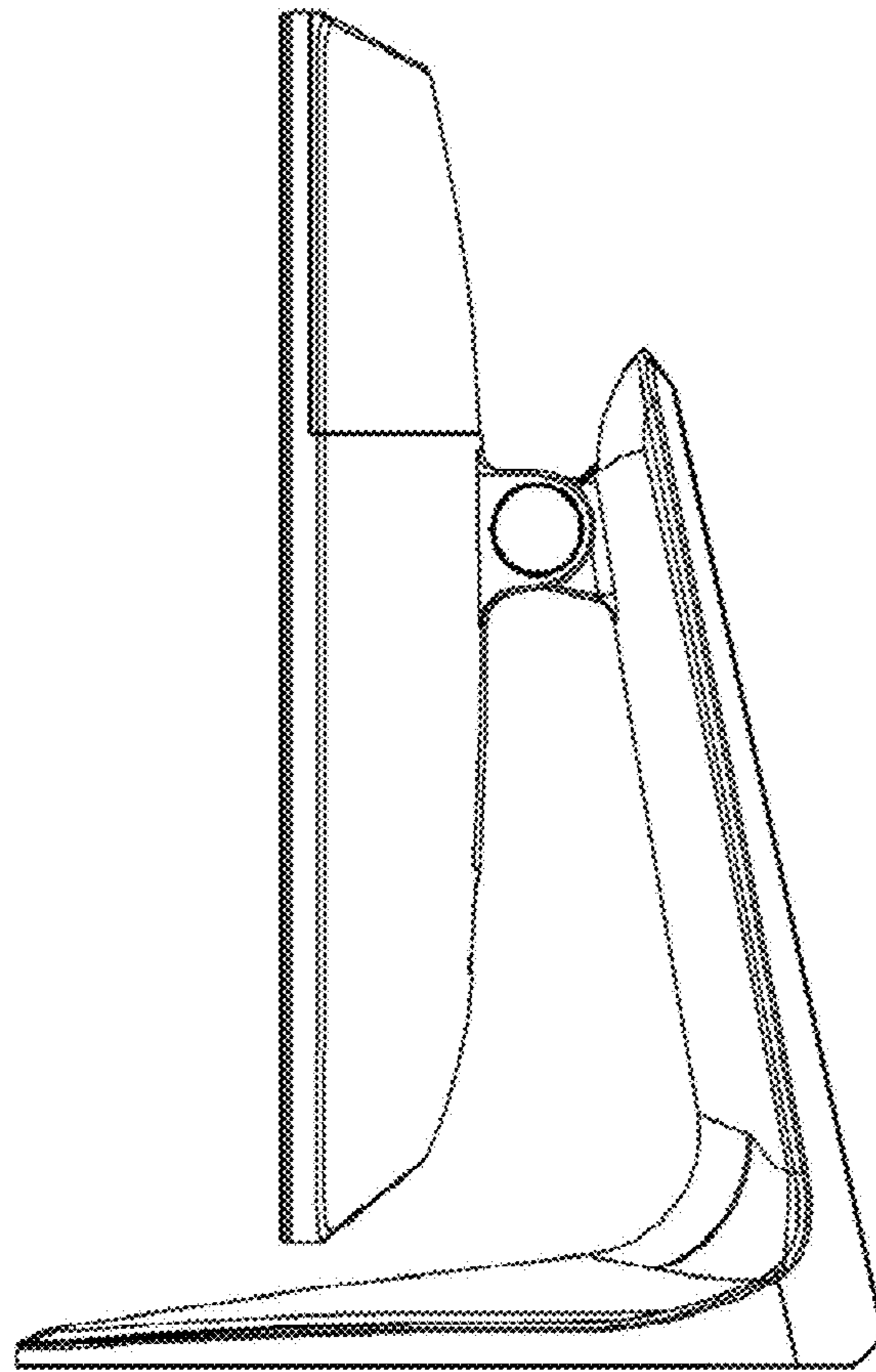
**FIG. 2**



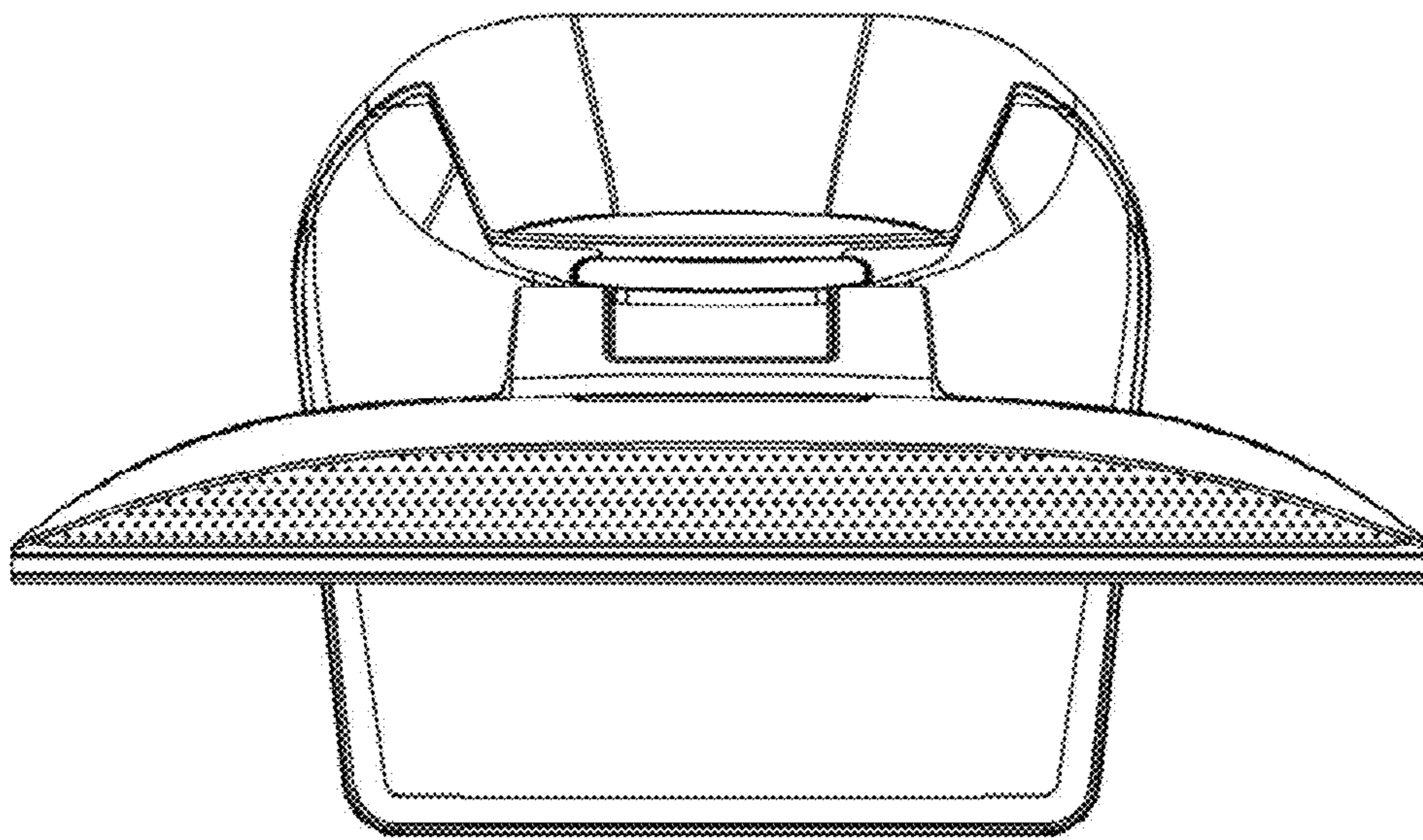
**FIG. 3**



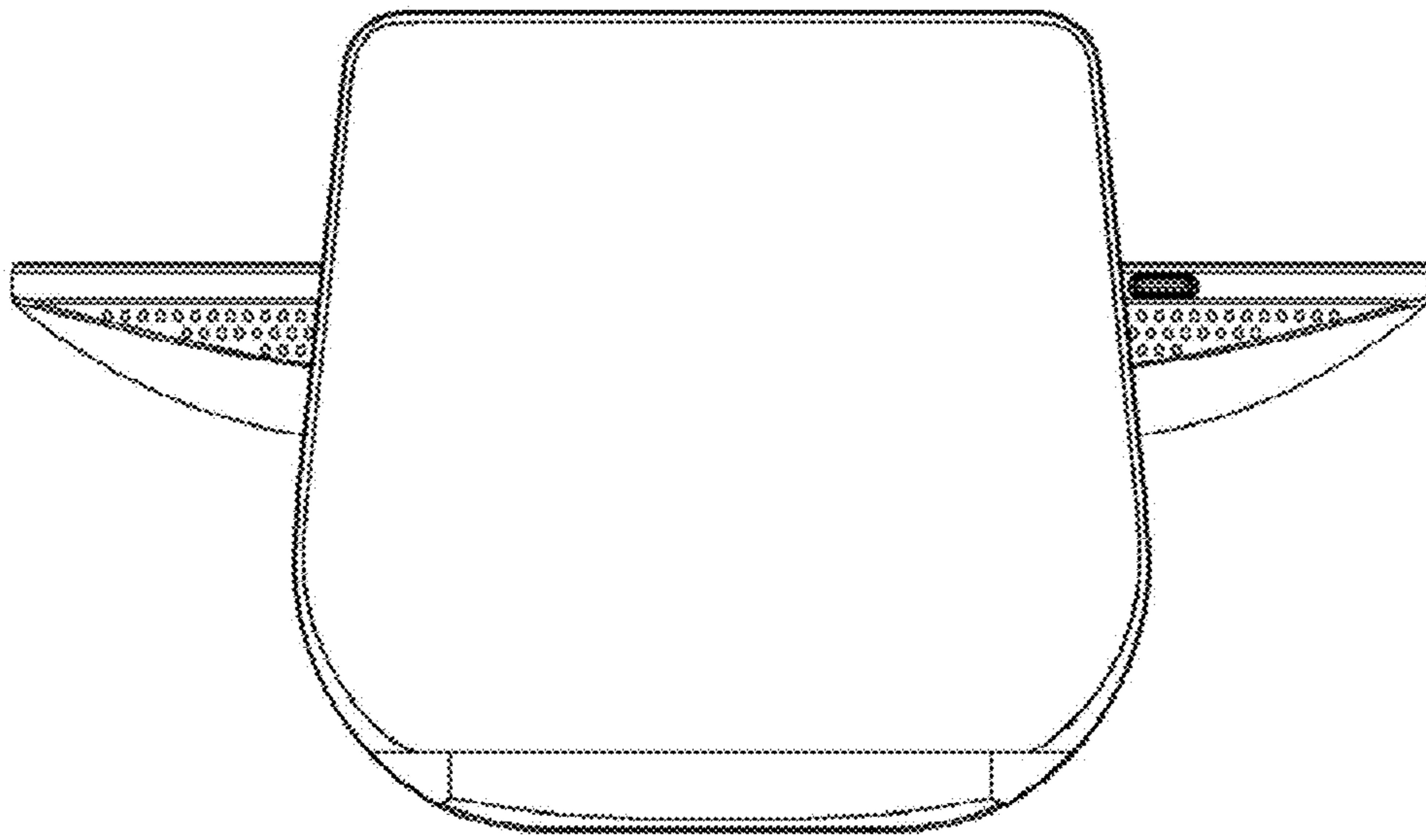
**FIG. 4**



**FIG. 5**



**FIG. 6**



**FIG. 7**