



US00D817321S

(12) **United States Design Patent** (10) **Patent No.:** **US D817,321 S**  
**Sakata et al.** (45) **Date of Patent:** **\*\* May 8, 2018**

(54) **DIGITAL VIDEO DISK PLAYER FOR AUTOMOBILE**

(71) Applicant: **JVC KENWOOD Corporation**,  
Yokohama-shi, Kanagawa (JP)

(72) Inventors: **Yu Sakata**, Yokohama (JP); **Yasuhiro Suzuki**, Yokohama (JP)

(73) Assignee: **JVC KENWOOD CORPORATION**,  
Yokohama-Shi, Kanagawa (JP)

(\*\*) Term: **15 Years**

(21) Appl. No.: **29/597,728**

(22) Filed: **Mar. 20, 2017**

(30) **Foreign Application Priority Data**

Dec. 27, 2016 (JP) ..... 2016-028241

(51) **LOC (11) Cl.** ..... **14-03**

(52) **U.S. Cl.**  
USPC ..... **D14/258**; D14/203.7

(58) **Field of Classification Search**  
USPC ..... D12/192, 195, 415, 420; D14/154, 157,  
D14/168–171, 188–198, 203.7, 257–258;  
248/27.1, 27.3, 558; 455/347, 350;  
D10/65  
CPC ..... B60R 11/02; B60K 37/04; B60K 37/06;  
B60K 35/00; H04B 1/08; H04B 1/082  
See application file for complete search history.

(56) **References Cited**

**U.S. PATENT DOCUMENTS**

D518,038 S \* 3/2006 Aono ..... D14/258  
7,201,356 B2 \* 4/2007 Huang ..... F16M 11/14  
248/27.3

D547,308 S \* 7/2007 Aihara ..... D14/258  
D565,559 S \* 4/2008 Aihara ..... D14/258  
D608,774 S \* 1/2010 Iwamoto ..... D14/258  
D627,244 S \* 11/2010 Nakane ..... D10/65  
D679,677 S \* 4/2013 Tomono ..... D14/258  
D680,095 S \* 4/2013 Tomono ..... D14/258  
D698,671 S \* 2/2014 Takahara ..... D10/65  
D713,839 S \* 9/2014 Endo ..... D14/258  
D724,048 S \* 3/2015 Tomono ..... D14/258  
D724,049 S \* 3/2015 Funayama ..... D14/258  
D741,834 S \* 10/2015 Kimura ..... D14/203.7  
D743,927 S \* 11/2015 Endo ..... D14/157  
D745,857 S \* 12/2015 Funayama ..... D14/203.7  
D771,617 S \* 11/2016 Ichikawa ..... D14/258  
D775,604 S \* 1/2017 Kimura ..... D14/203.7

\* cited by examiner

*Primary Examiner* — Sandra L Morris  
(74) *Attorney, Agent, or Firm* — Nath, Goldberg &  
Meyer; Jerald L. Meyer

(57) **CLAIM**

The ornamental design for the digital video disk player for automobile, as shown and described.

**DESCRIPTION**

FIG. 1 is a perspective view;  
FIG. 2 is a front view;  
FIG. 3 is a rear view;  
FIG. 4 is a right side view;  
FIG. 5 is a left side view;  
FIG. 6 is a top plan view; and,  
FIG. 7 is a bottom plan view.  
The broken lines shown are included for the purpose of illustrating the unclaimed portions of the article and form no part of the claimed design.

**1 Claim, 5 Drawing Sheets**

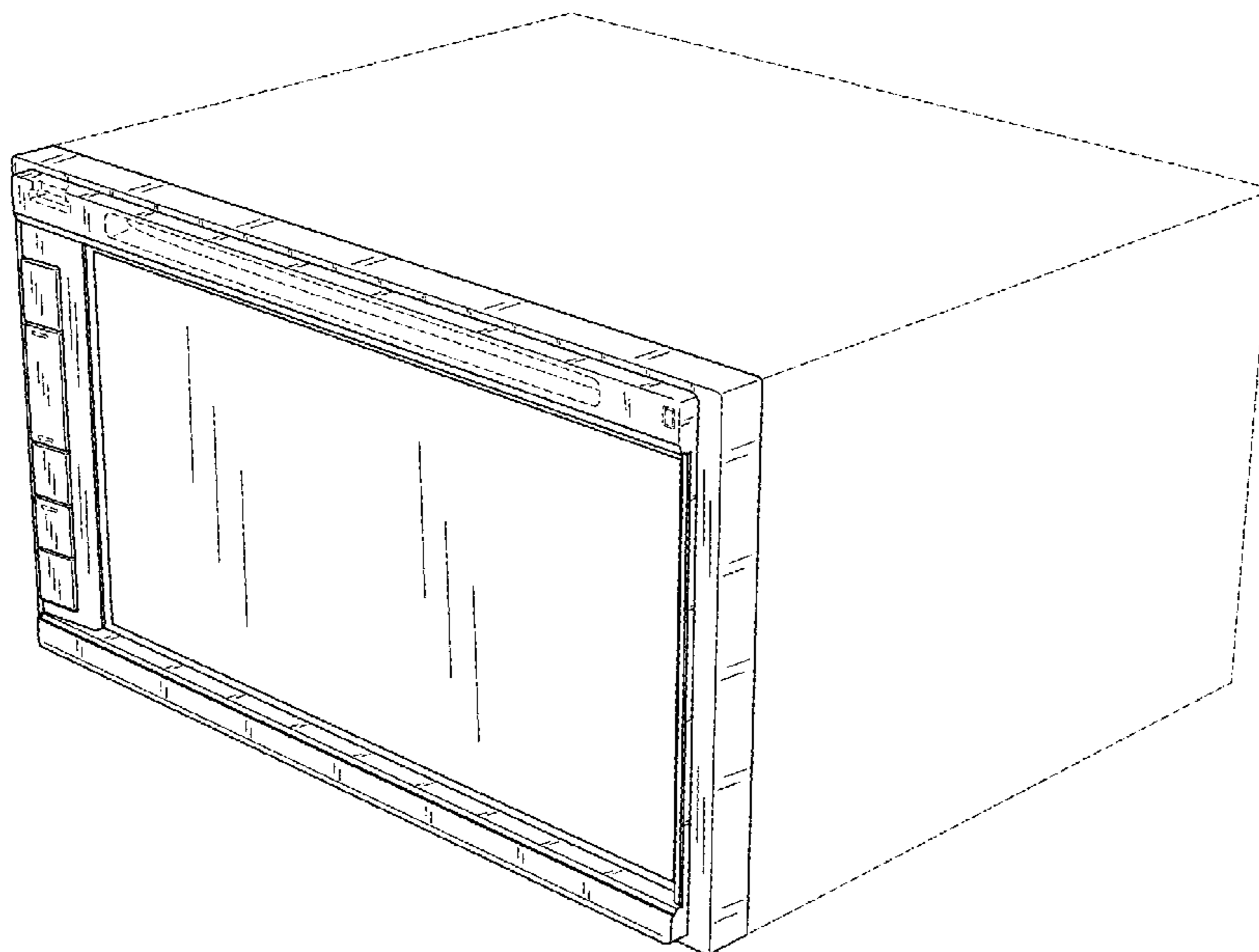


Fig. 1

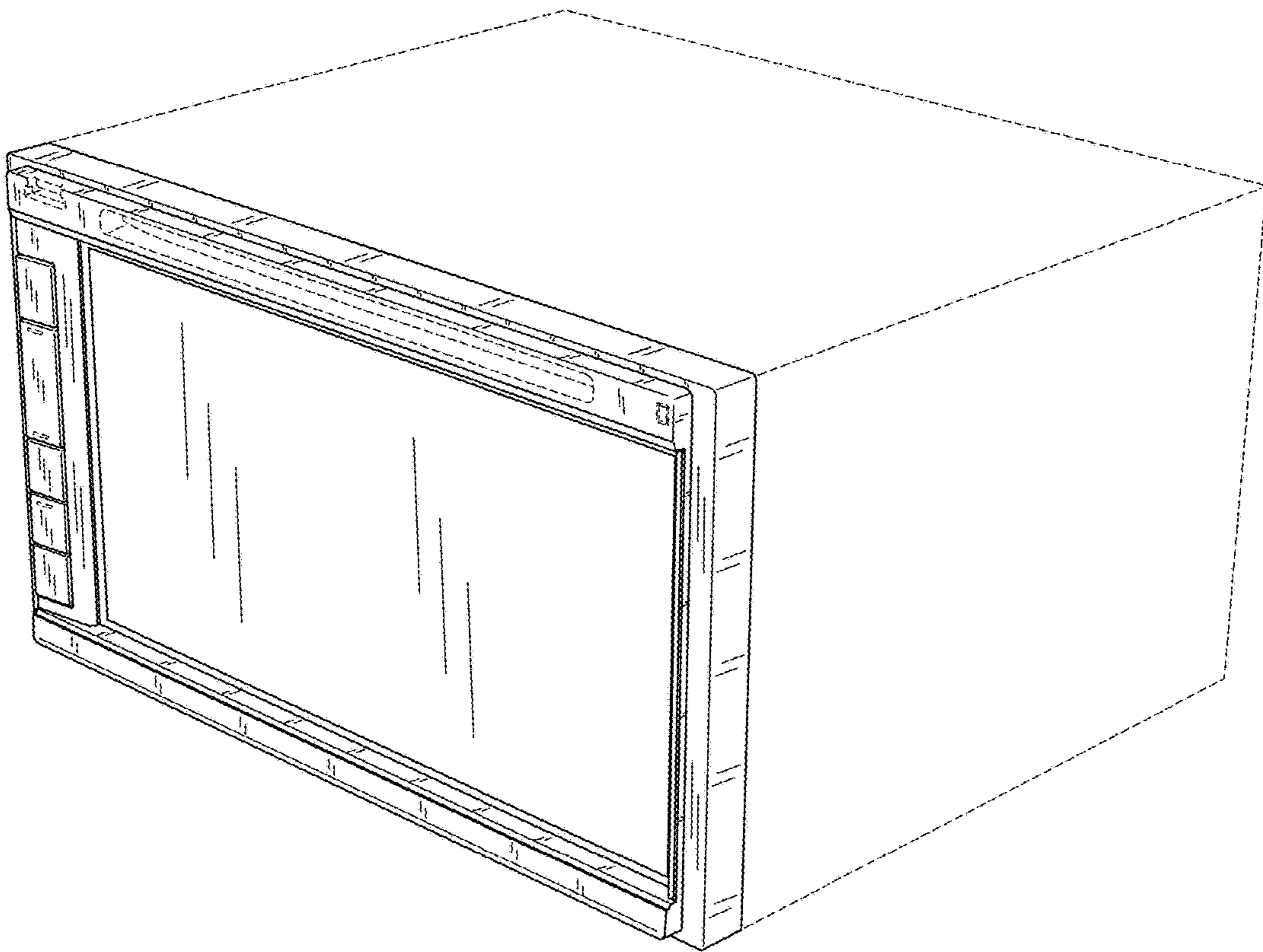


Fig.2

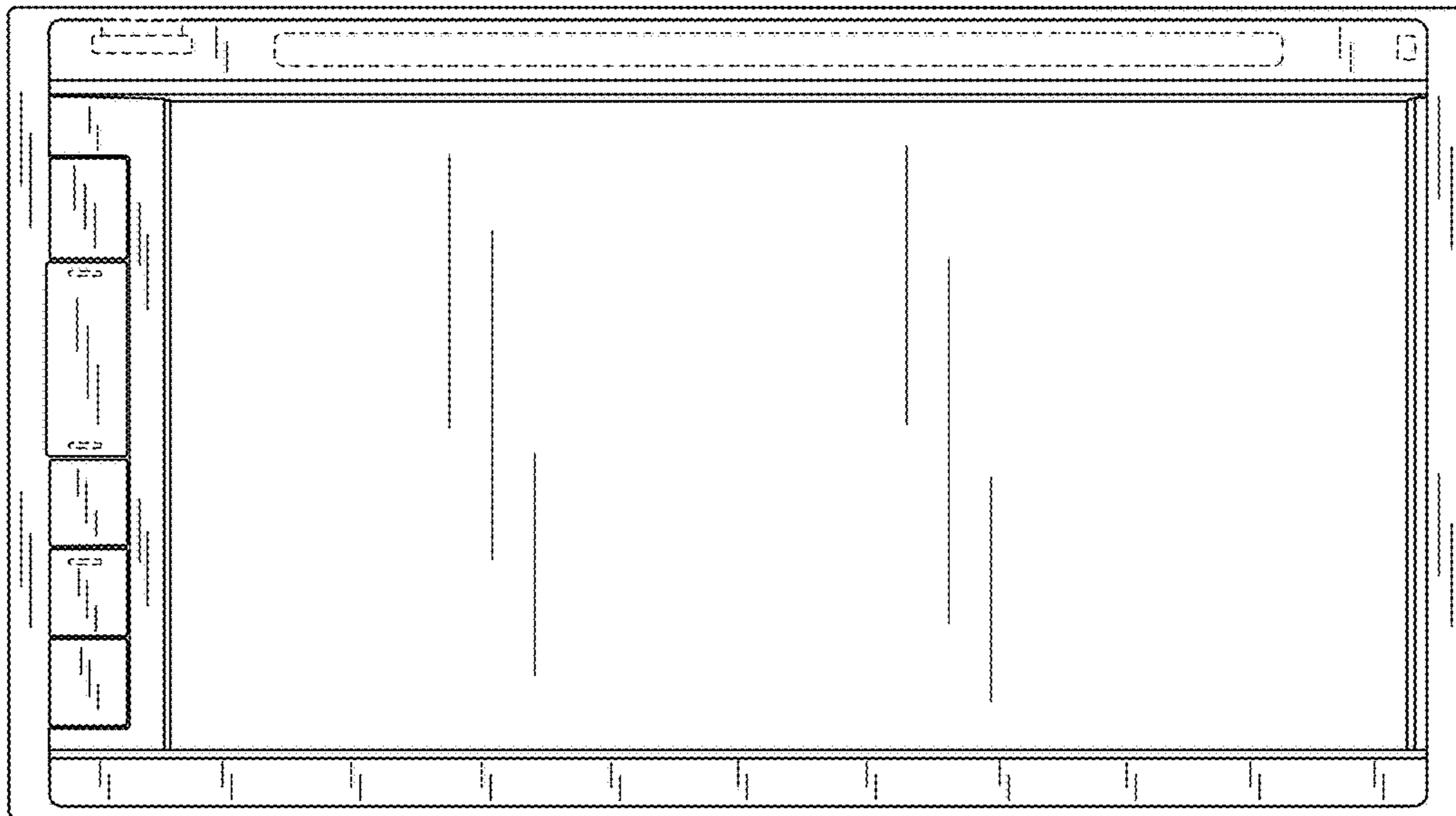


Fig.3



Fig.4



Fig.5



Fig.6

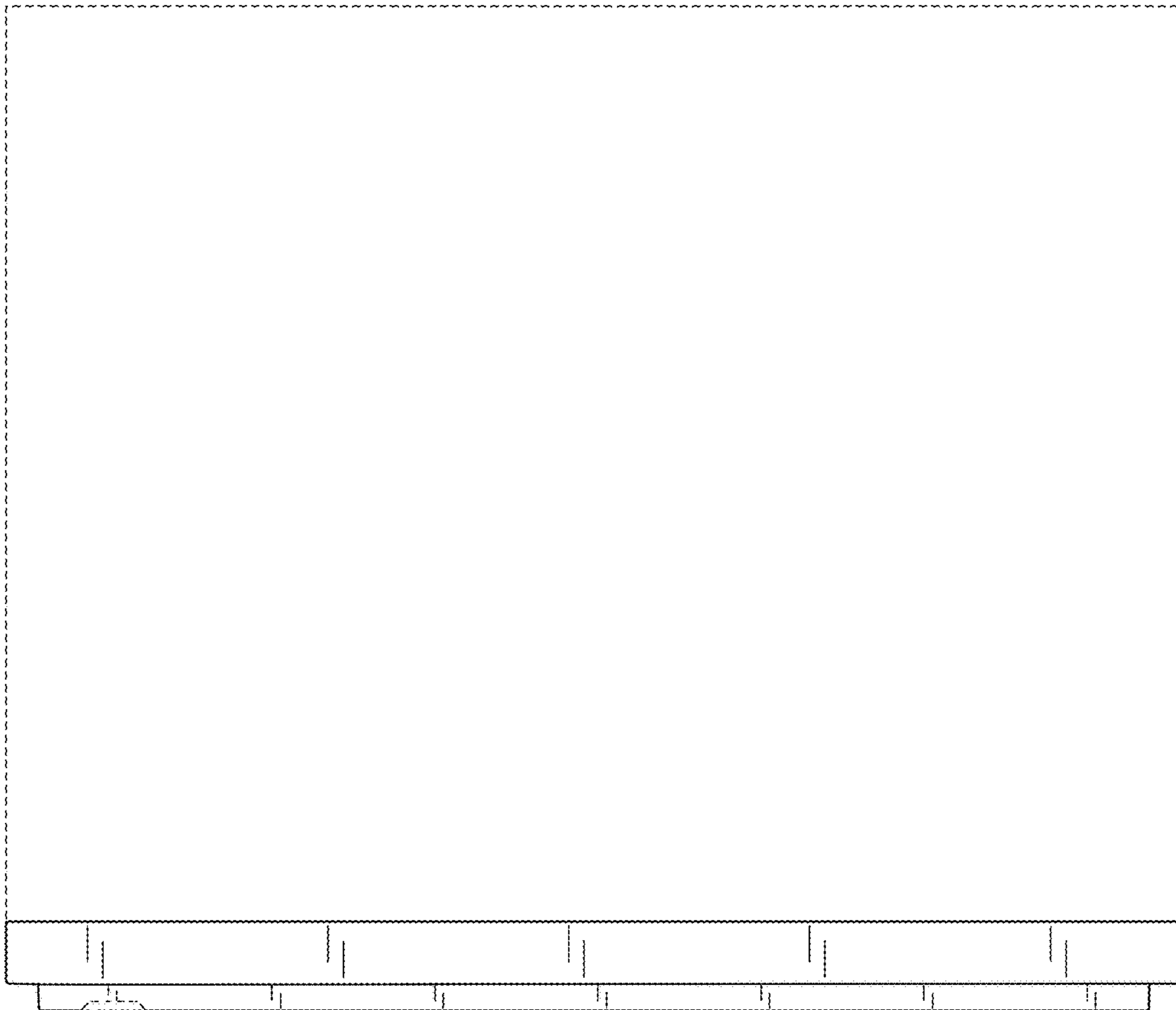


Fig.7

