



US00D817319S

(12) **United States Design Patent**
Mihara

(10) **Patent No.:** **US D817,319 S**
(45) **Date of Patent:** **** May 8, 2018**

(54) **DIGITAL AUDIO DISK PLAYER FOR
AUTOMOBILE**

(71) Applicant: **JVC KENWOOD CORPORATION,**
Yokohama-shi, Kanagawa (JP)

(72) Inventor: **Masaya Mihara,** Yokohama (JP)

(73) Assignee: **JVC KENWOOD CORPORATION,**
Yokohama-Shi, Kanagawa (JP)

(**) Term: **15 Years**

(21) Appl. No.: **29/597,643**

(22) Filed: **Mar. 17, 2017**

(30) **Foreign Application Priority Data**

Dec. 12, 2016 (JP) 2016-026852

(51) **LOC (11) Cl.** **14-03**

(52) **U.S. Cl.**
USPC **D14/258**

(58) **Field of Classification Search**

USPC D12/192, 195, 415, 420; D14/154, 157,
D14/168–171, 188–198, 257–258;
248/27.1, 27.3, 558; 455/347, 350

CPC B60R 11/02; B60K 37/04; B60K 37/06;
B60K 35/00; H04B 1/08; H04B 1/082

See application file for complete search history.

(56) **References Cited**

U.S. PATENT DOCUMENTS

6,494,527 B1 * 12/2002 Bischoff B60R 11/02
296/208

D538,257 S * 3/2007 Shimizu D14/506

D576,160 S * 9/2008 Sei D14/258
D671,519 S * 11/2012 Kanou D14/157
D672,742 S * 12/2012 Katsuno D14/157
D706,257 S * 6/2014 Harada D14/258
D775,120 S * 12/2016 Suzuki D14/258
D780,170 S * 2/2017 Murakami D14/258

* cited by examiner

Primary Examiner — Sandra L Morris

(74) *Attorney, Agent, or Firm* — Nath, Goldberg &
Meyer; Jerald L. Meyer; Joshua B. Goldberg

(57) **CLAIM**

The ornamental design for the digital audio disk player for automobile, as shown and described.

DESCRIPTION

FIG. 1 is a perspective view;

FIG. 2 is a front view;

FIG. 3 is a rear view;

FIG. 4 is a right side view;

FIG. 5 is a left side view;

FIG. 6 is a top plan view; and,

FIG. 7 is a bottom plan view.

The broken lines shown are included for the purpose of illustrating the unclaimed portions of the article and form no part of the claimed design.

1 Claim, 5 Drawing Sheets

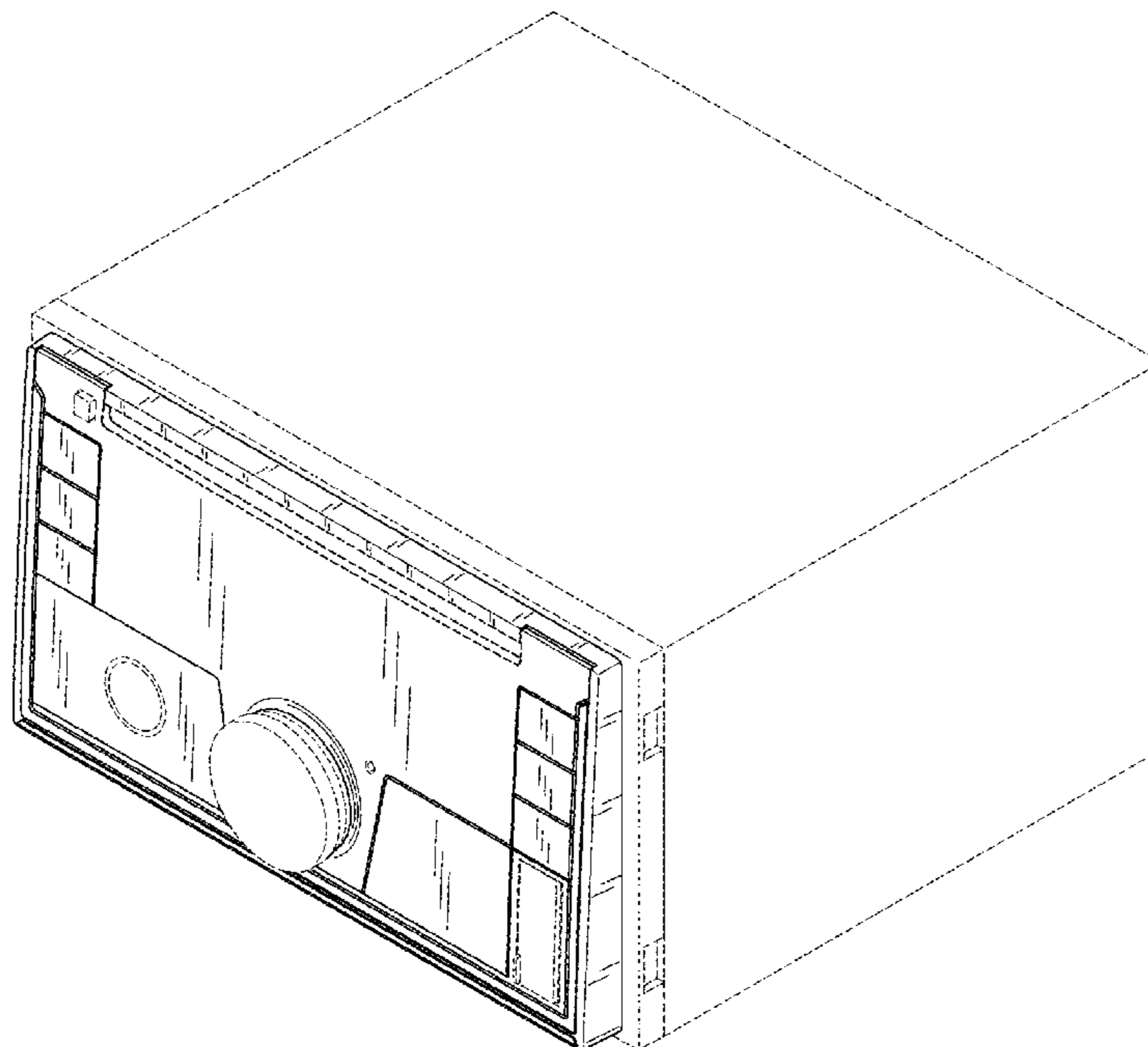


Fig.1

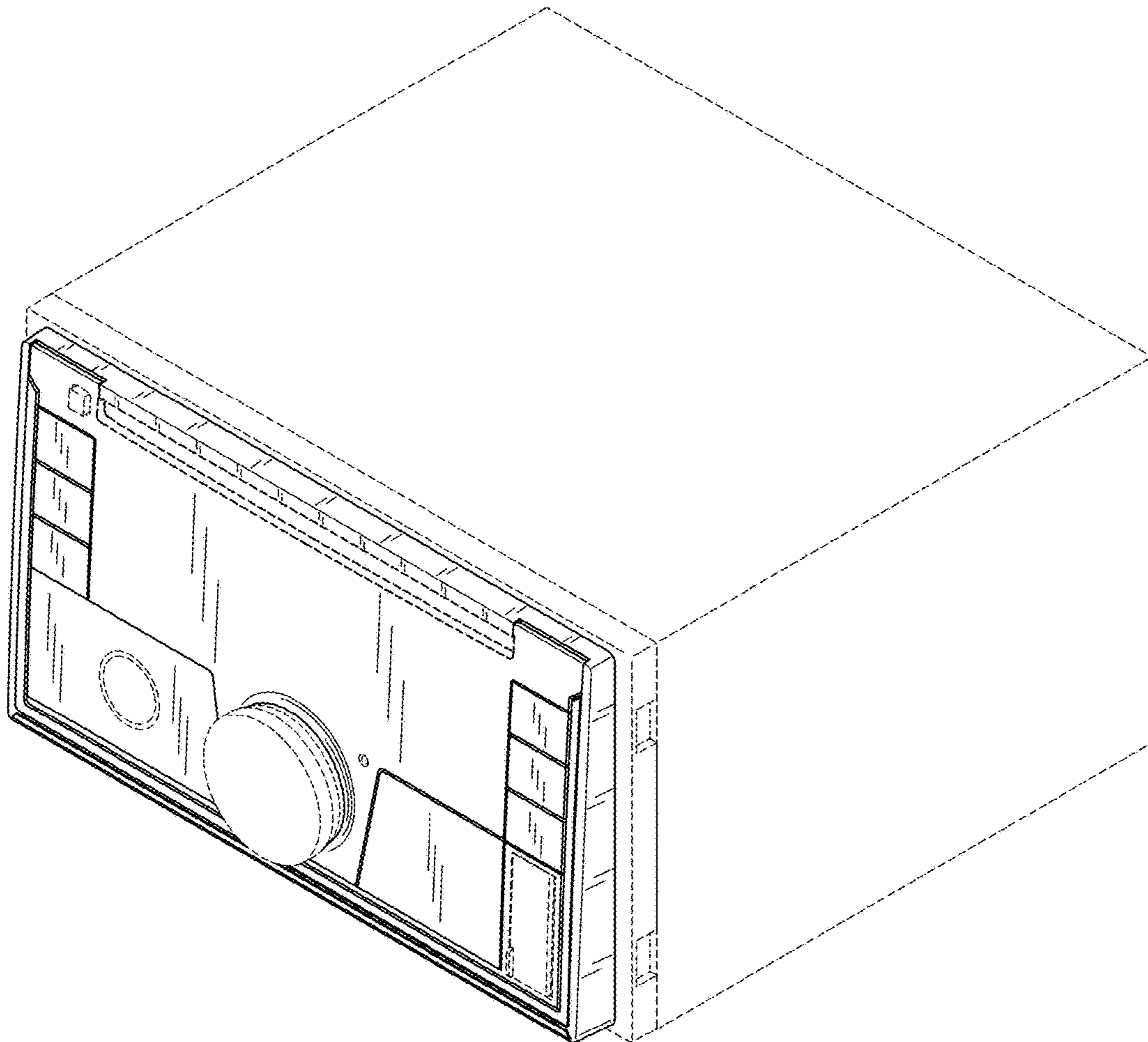


Fig.2

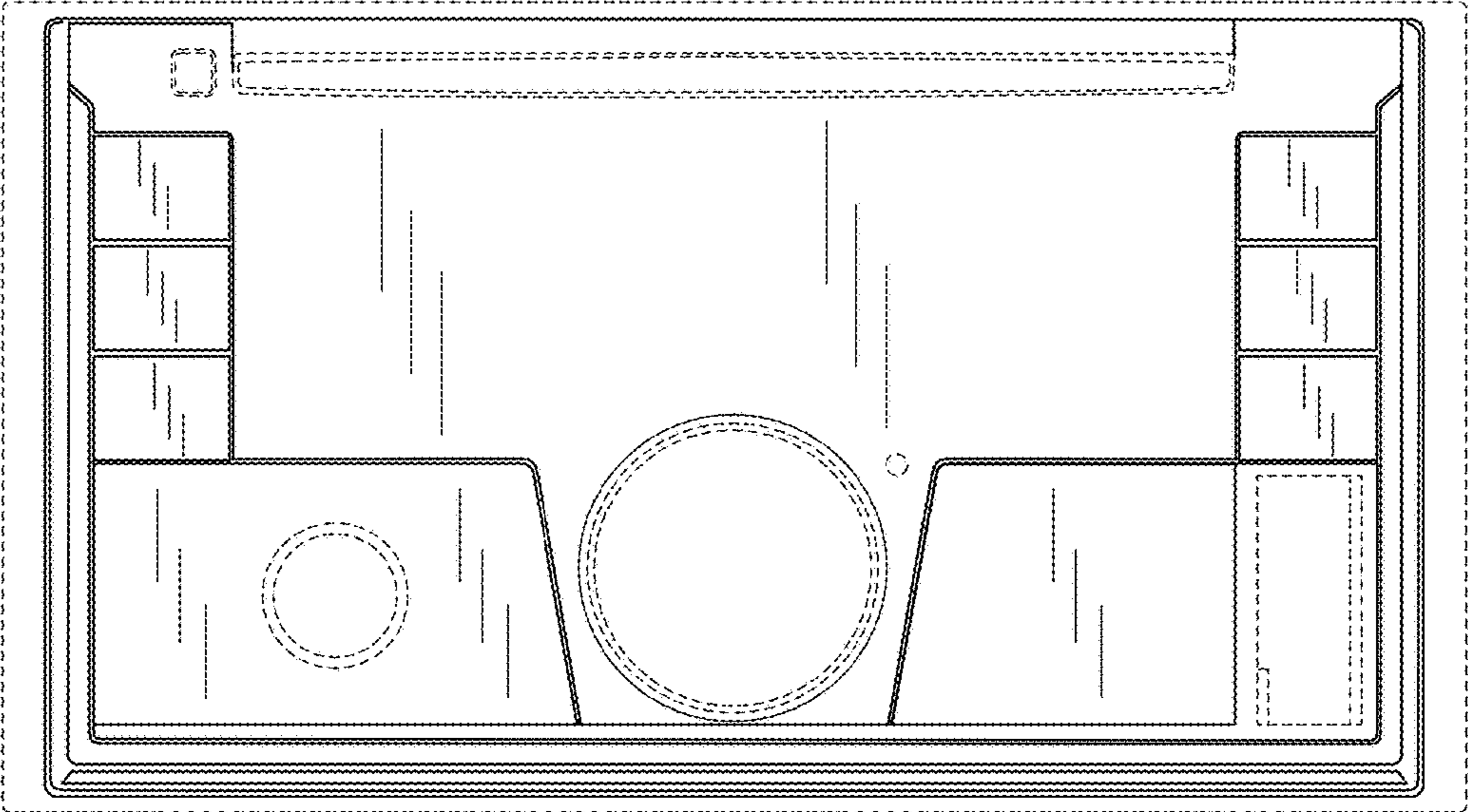


Fig.3



Fig.4



Fig.5



Fig.6

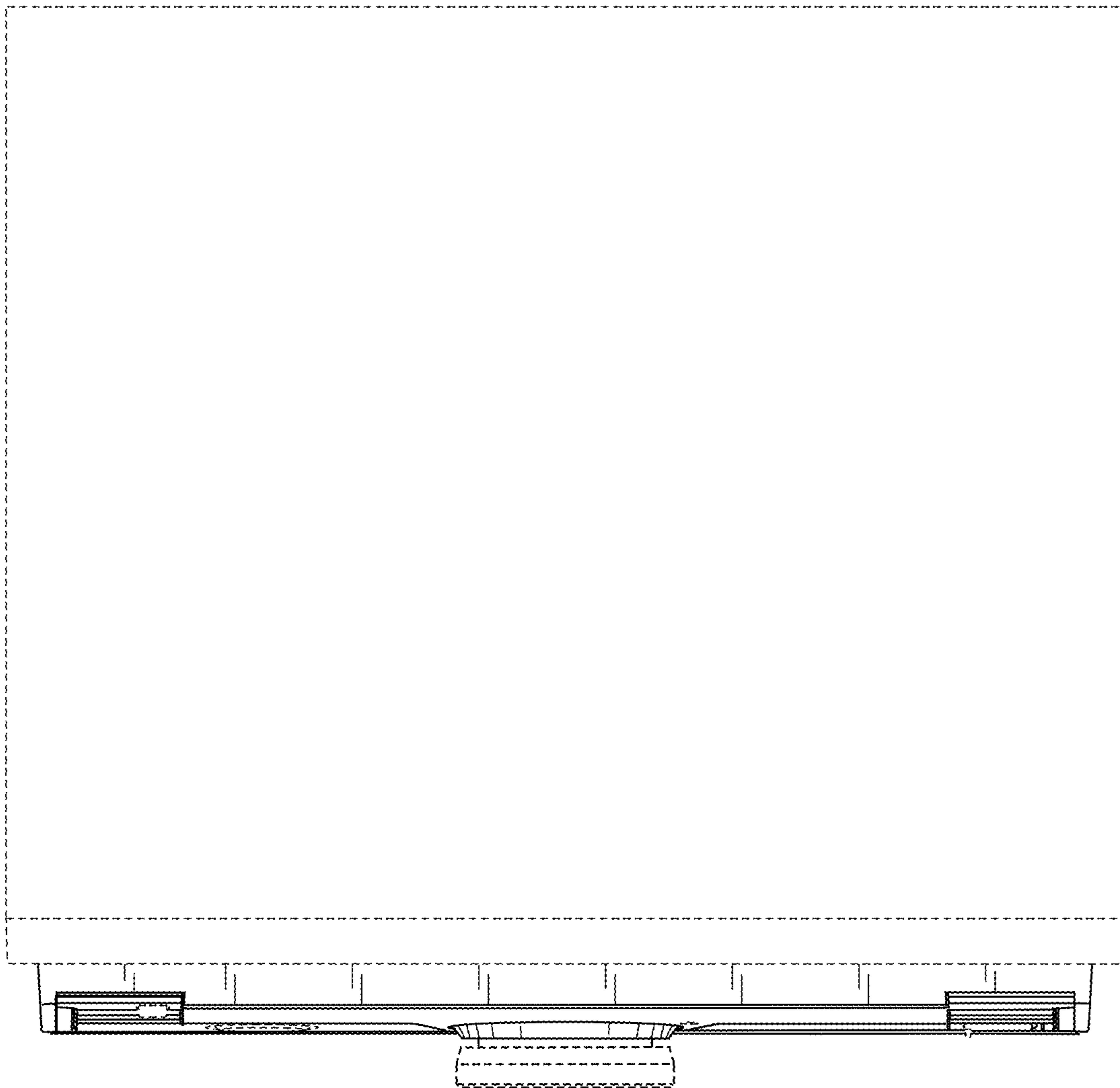


Fig.7

