



US00D817318S

(12) **United States Design Patent** (10) **Patent No.:** **US D817,318 S**
Suzuki (45) **Date of Patent:** **** May 8, 2018**

(54) **DIGITAL AUDIO DISC PLAYER FOR AUTOMOBILE**

(71) Applicant: **JVC KENWOOD Corporation**,
Yokohama-shi, Kanagawa (JP)

(72) Inventor: **Yasuhiro Suzuki**, Yokohama (JP)

(73) Assignee: **JVC KENWOOD Corporation**,
Yokohama-shi (JP)

(**) Term: **15 Years**

(21) Appl. No.: **29/595,382**

(22) Filed: **Feb. 28, 2017**

(30) **Foreign Application Priority Data**

Nov. 22, 2016 (JP) 2016-025378

(51) **LOC (11) Cl.** **14-03**

(52) **U.S. Cl.**
USPC **D14/258**

(58) **Field of Classification Search**
USPC D12/192, 195, 415, 420; D14/154, 157,
D14/168-171, 188-198, 257-258;
248/27.1, 27.3, 558; 455/347, 350
CPC B60R 11/02; B60K 37/04; B60K 37/06;
B60K 35/00; H04B 1/08; H04B 1/082
See application file for complete search history.

(56) **References Cited**

U.S. PATENT DOCUMENTS

D532,006 S *	11/2006	Kim	D14/258
D565,043 S *	3/2008	Shiono	D14/258
D567,812 S *	4/2008	Kimura	D14/258
D582,911 S *	12/2008	Kimura	D14/258
D602,928 S *	10/2009	Kimura	D14/157
D604,287 S *	11/2009	Kimura	D14/157
D610,162 S *	2/2010	Shiono	D14/257

D671,906 S *	12/2012	Kimura	D14/157
D672,331 S *	12/2012	Kanou	D14/157
D672,743 S *	12/2012	Suzuki	D14/157
D680,094 S *	4/2013	Kanou	D14/157
D704,694 S *	5/2014	Takahashi	D14/258
D704,695 S *	5/2014	Kanou	D14/258
D704,696 S *	5/2014	Kimura	D14/258
D704,698 S *	5/2014	Morikawa	D14/258
D711,367 S *	8/2014	Endo	D14/258
D718,299 S *	11/2014	Takahashi	D14/258
D722,585 S *	2/2015	Suzuki	D14/157
D722,993 S *	2/2015	Harada	D14/157
D724,575 S *	3/2015	Murakami	D14/157
D743,928 S *	11/2015	Endo	D14/157
D775,119 S *	12/2016	Kimura	D14/258
D775,121 S *	12/2016	Suzuki	D14/258

* cited by examiner

Primary Examiner — Sandra L Morris

(74) *Attorney, Agent, or Firm* — Amin, Turocy & Watson LLP

(57) **CLAIM**

The ornamental design for a digital audio disc player for automobile, as shown and described.

DESCRIPTION

FIG. 1 is a front, top and right side perspective view of a digital audio disc player for automobile showing my new design;

FIG. 2 is a front elevational view thereof;

FIG. 3 is a rear elevational view thereof;

FIG. 4 is a top plan view thereof;

FIG. 5 is a bottom plan view thereof;

FIG. 6 is a right side elevational view thereof; and,

FIG. 7 is a left side elevational view thereof.

The broken lines depict portions of the digital audio disc player for automobile in which the design is embodied that form no part of the claimed design. The oblique shade lines in FIG. 1 and FIG. 2 show translucency.

1 Claim, 6 Drawing Sheets

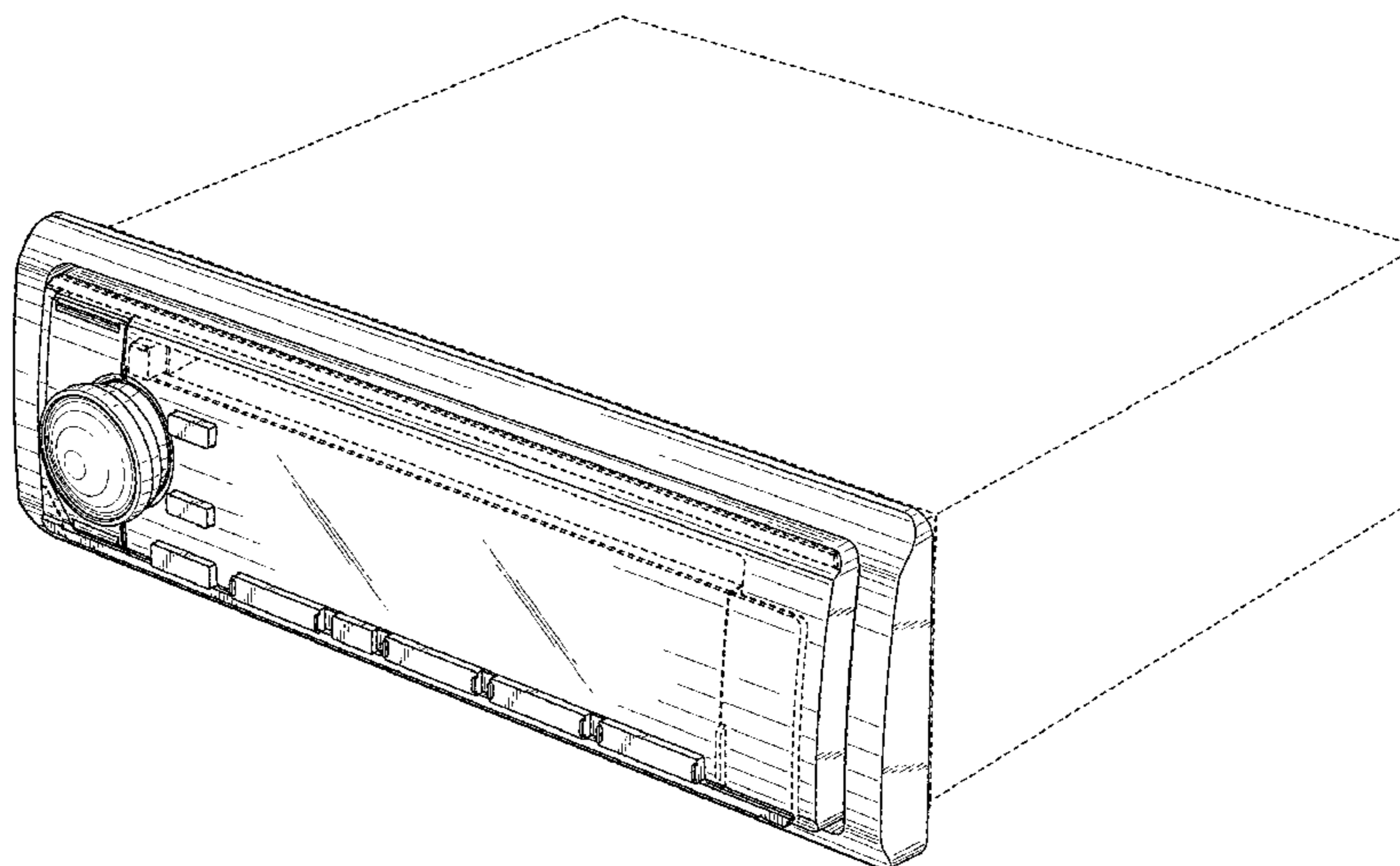


FIG. 1

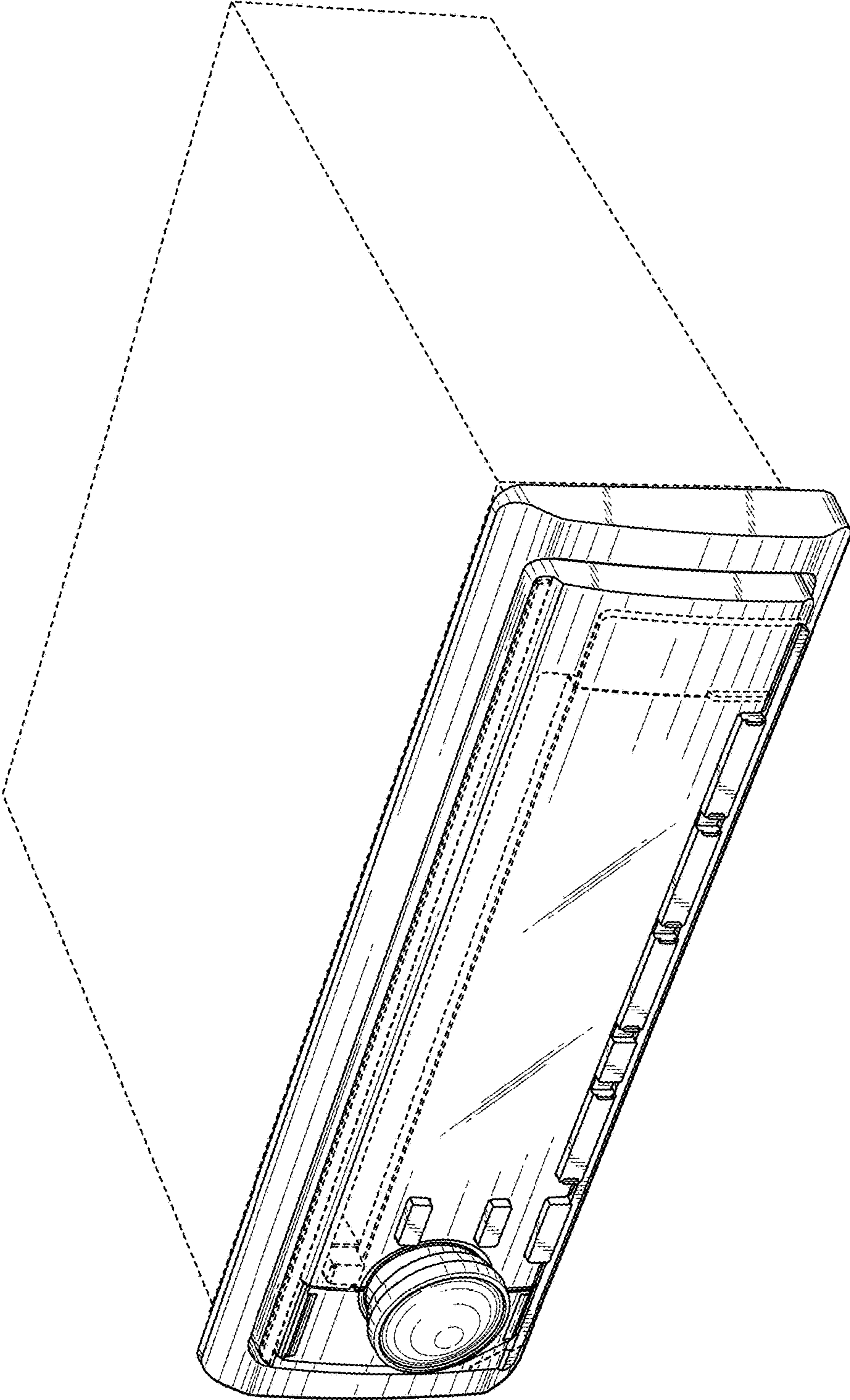


FIG. 2

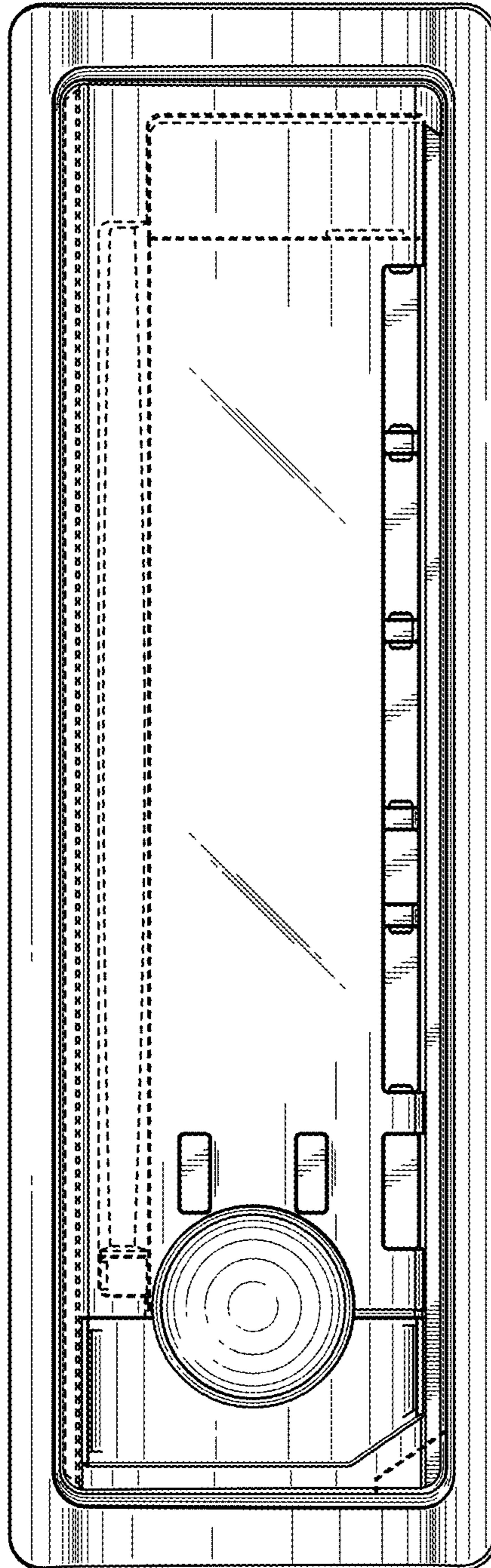
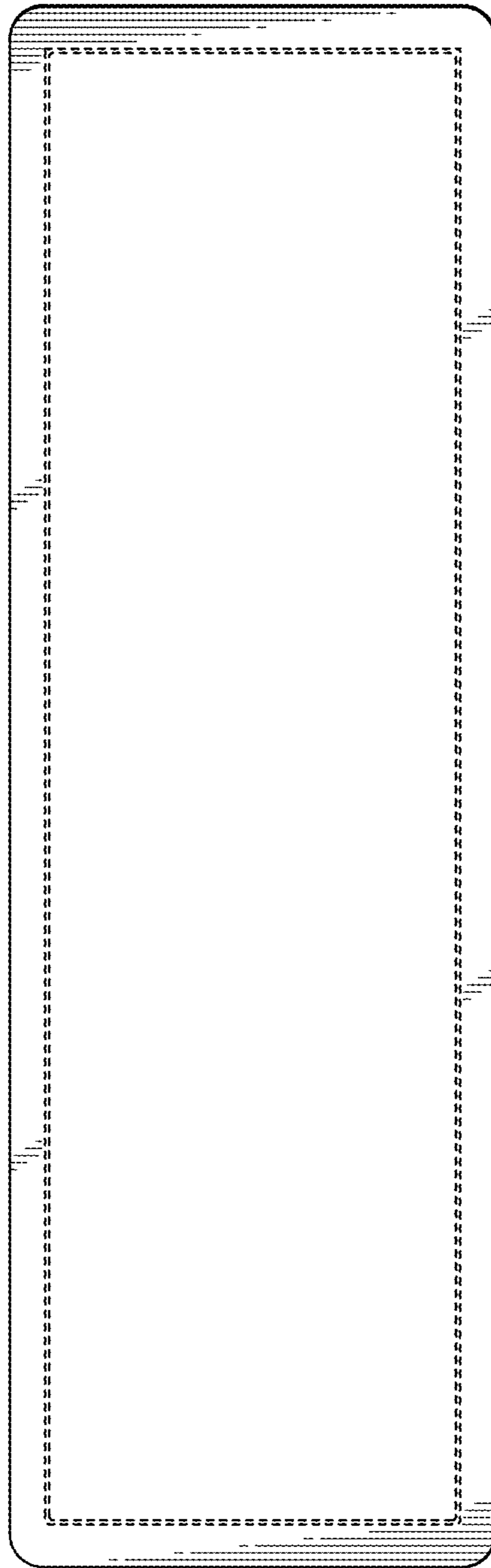


FIG. 3



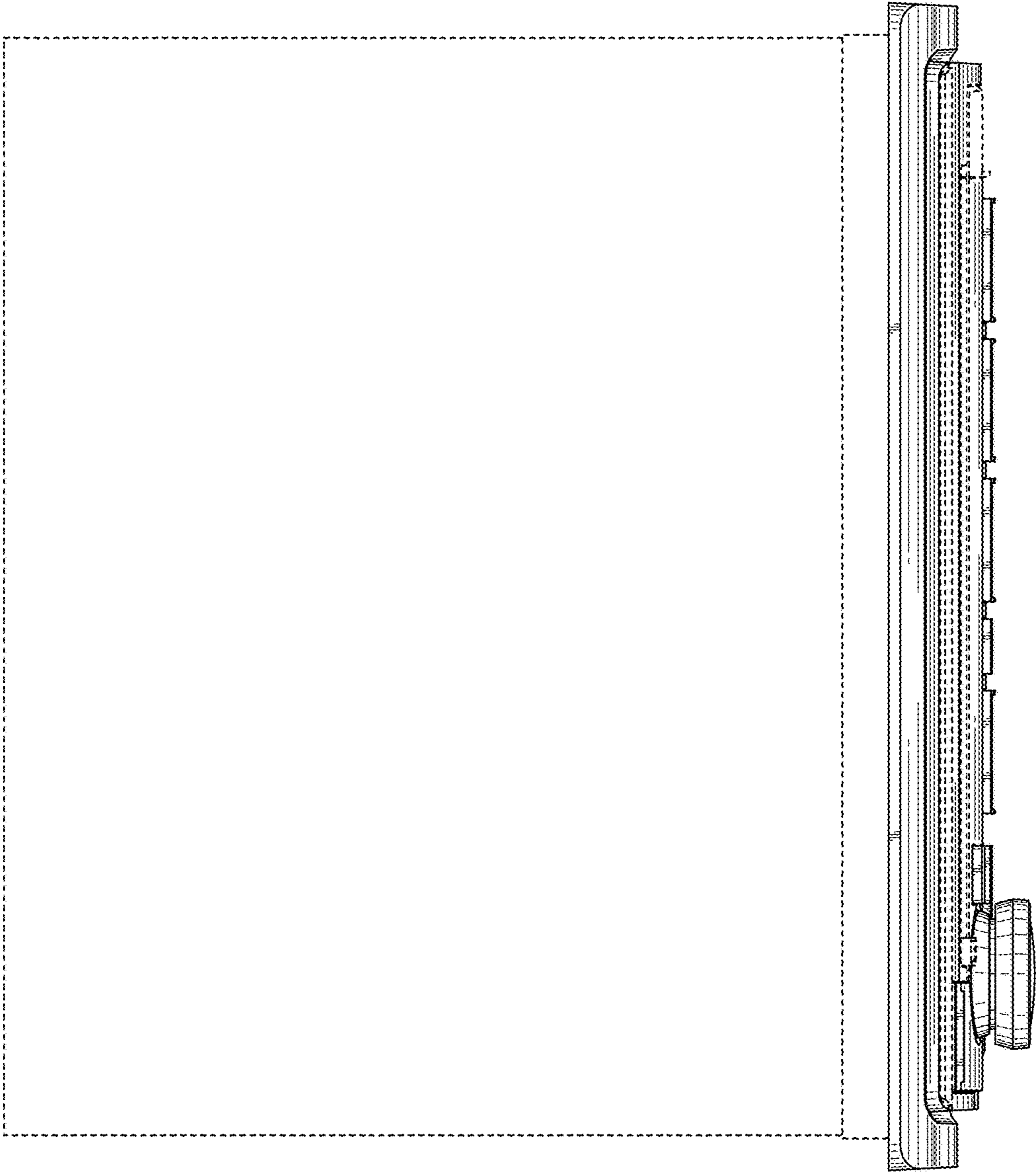


FIG. 4

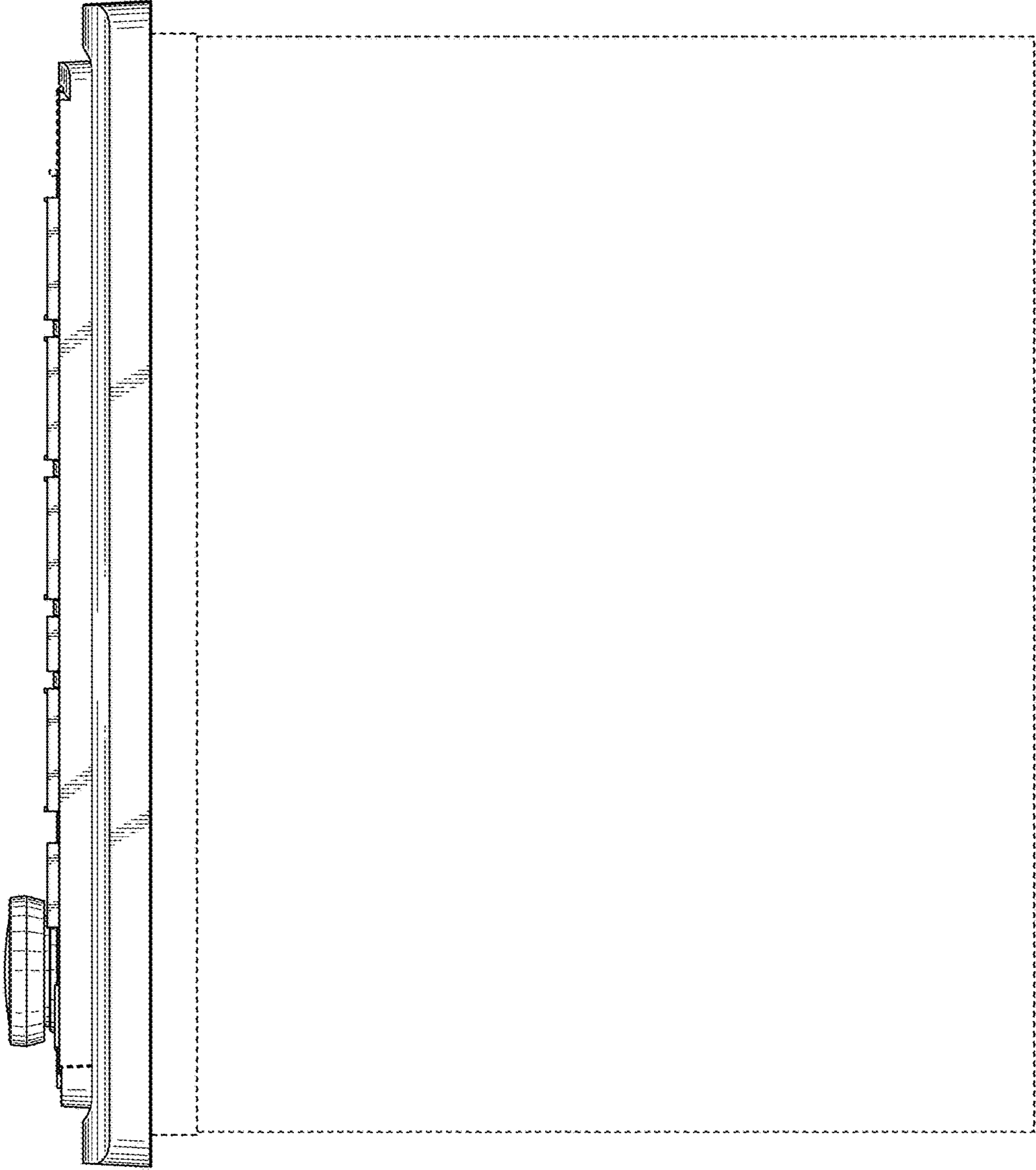


FIG. 5

FIG. 6



FIG. 7

