



US00D817317S

(12) **United States Design Patent** (10) **Patent No.:** **US D817,317 S**
Lee (45) **Date of Patent:** **** May 8, 2018**

(54) **CAR MOUNT FOR ELECTRONIC DEVICE**

(71) Applicant: **Bum Joon Lee**, Seoul (KR)

(72) Inventor: **Bum Joon Lee**, Seoul (KR)

(73) Assignee: **SPIGEN KOREA CO., LTD.**, Seoul (KR)

(**) Term: **15 Years**

(21) Appl. No.: **29/579,869**

(22) Filed: **Oct. 4, 2016**

(51) **LOC (11) Cl.** **14-03**

(52) **U.S. Cl.**
USPC **D14/253**

(58) **Field of Classification Search**

USPC D14/253, 251, 252, 447, 451, 452, 440, D14/434, 458, 432, 439, 457, 460, 238.1, D14/140, 142, 149, 217, 148, 140.8, D14/140.11, 209.1, 151, 140.9; D13/107, D13/108; D12/415, 223, 114
CPC B60R 2011/0008; B60R 11/02; B60R 11/0241; B60R 11/0258; B60R 11/0252; B60R 2011/0294; F16M 11/00; F16M 11/04; F16M 11/041; F16M 11/02; F16M 11/06; H04M 1/02; A47F 7/022; B62J 11/00

See application file for complete search history.

(56) **References Cited**

U.S. PATENT DOCUMENTS

D456,024 S 4/2002 Richter
D545,825 S 7/2007 Richter
D566,530 S * 4/2008 Brassard D8/363
7,513,472 B2 4/2009 Yang

(Continued)

OTHER PUBLICATIONS

Amazon, "TaoTronics Car Phone Mount Holder for Windshield and Dashboard—Extra Sticky Pad, Adjustable Viewing Angle, Suitable

for Smartphone", https://www.amazon.com/TaoTronics%ADPhone%ADHolder%ADWindshield%ADDashboard/dp/B01JZA0IPM/ref=cm_cr_arp_d_product_top?ie=UTF8, Downloaded Feb. 7, 2017, 9 Pages.

(Continued)

Primary Examiner — Janice Hallmark

(74) *Attorney, Agent, or Firm* — Heedong Chae; Lucem, PC

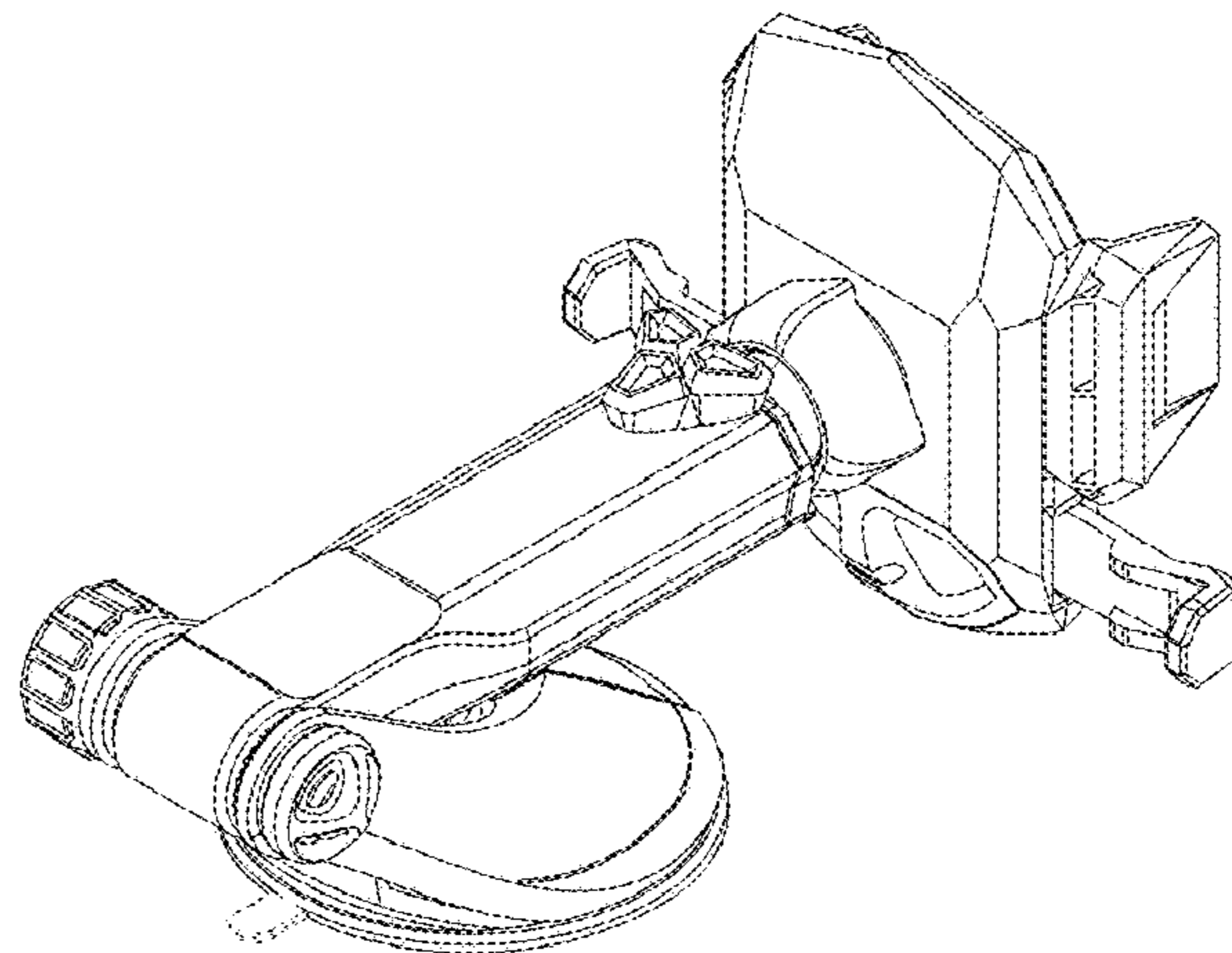
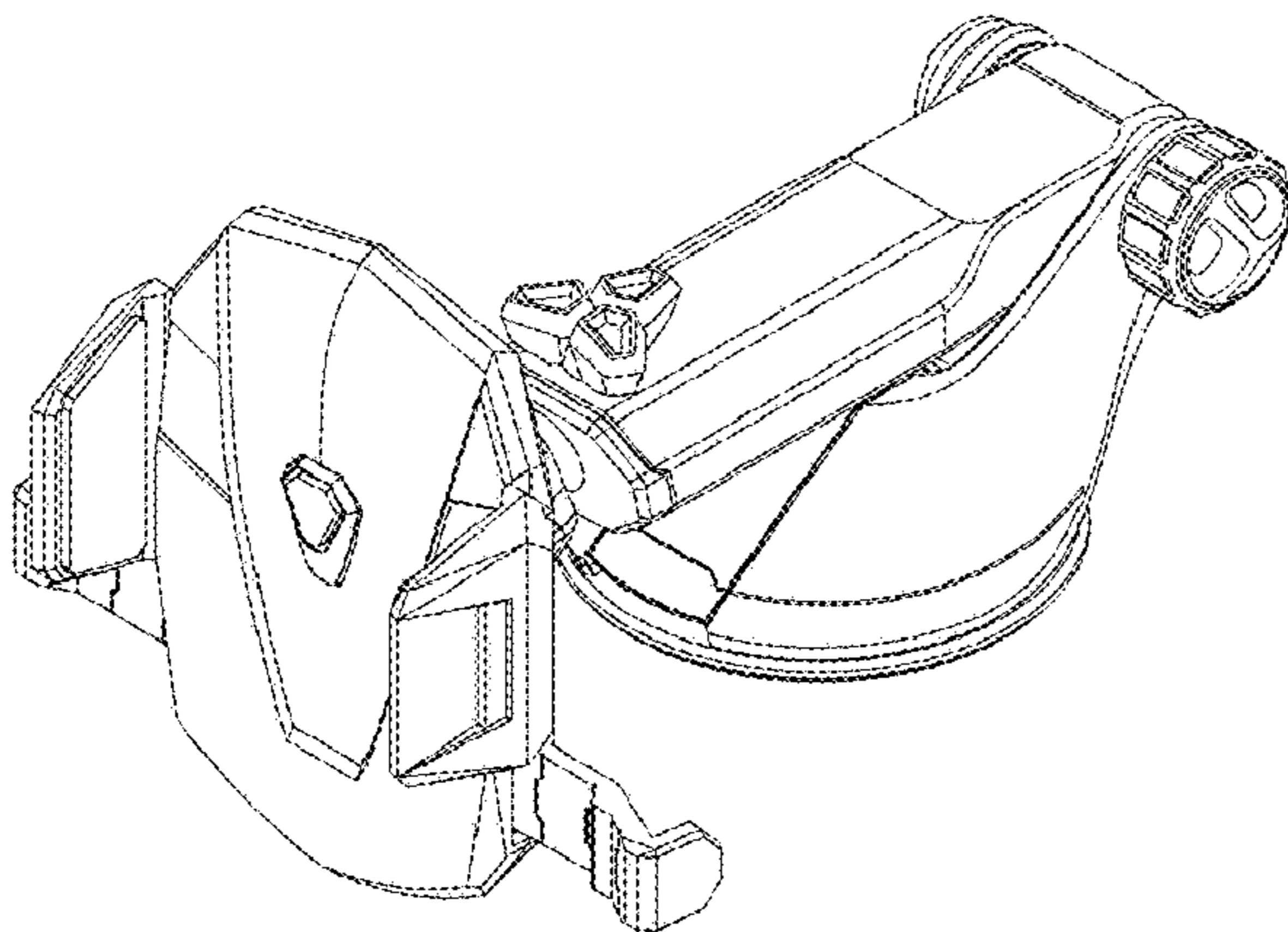
(57) **CLAIM**

The ornamental design for a car mount for electronic device, as shown and described.

DESCRIPTION

FIG. 1 is a front perspective view of a car mount for electronic device, showing my new design; FIG. 2 is a rear perspective view thereof; FIG. 3 is a front elevational view thereof; FIG. 4 is a left side elevational view thereof; FIG. 5 is a right side elevational view thereof; FIG. 6 is a top plan view thereof; FIG. 7 is a bottom plan view thereof; FIG. 8 is a front perspective view thereof, shown in a first alternate configuration with the arm portion of the car mount for electronic device rotated for clarity of disclosure; FIG. 9 is a front perspective view thereof, shown in a second alternate configuration with the arm portion of the car mount for electronic device rotated and extended for clarity of disclosure; and, FIG. 10 is a front perspective view thereof, shown in a third alternate configuration with the arm portion of the car mount for electronic device extended for clarity of disclosure. The dash-dash broken lines in the drawings depict part of the car mount for electronic device that form no part of the claimed design. The dash-dot broken lines in the drawings depict the bounds of the claim and form no part of the claimed design.

1 Claim, 10 Drawing Sheets



(56)

References Cited

U.S. PATENT DOCUMENTS

D592,205 S 5/2009 O'Brien
 D603,322 S * 11/2009 Nicieja D12/415
 D614,613 S 4/2010 Kim et al.
 D645,462 S 9/2011 Choi
 D650,372 S 12/2011 Molter
 8,091,843 B2 1/2012 Tsai
 D654,119 S 2/2012 Lin
 D654,120 S 2/2012 Lin
 D654,493 S * 2/2012 Baumann D14/253
 D655,283 S 3/2012 Richter
 D655,284 S 3/2012 Richter
 D655,692 S 3/2012 Silverman et al.
 D681,028 S 4/2013 Richter
 D683,724 S 6/2013 Wada
 D685,379 S * 7/2013 Richter D14/253
 8,627,953 B1 1/2014 Yeo
 D705,211 S 5/2014 Huang
 D707,672 S 6/2014 Lai
 D709,066 S 7/2014 Byun
 D709,074 S * 7/2014 Tsui D14/447
 D709,896 S 7/2014 McKinstry et al.
 D713,837 S * 9/2014 Chul Kim D14/253
 D715,790 S 10/2014 Conomos et al.
 8,857,687 B1 10/2014 An
 D718,297 S * 11/2014 Aspinall D14/253
 D718,298 S * 11/2014 Aspinall D14/253
 8,967,561 B2 3/2015 Cheng et al.
 8,981,962 B2 3/2015 Fu
 8,998,048 B1 4/2015 Wu
 D729,815 S 5/2015 Anderson
 D730,723 S * 6/2015 McSweyn D8/363
 D732,013 S * 6/2015 Aspinall D14/253
 D732,519 S 6/2015 Aspinall et al.
 D748,098 S * 1/2016 Khodapanah D14/447
 D750,612 S 3/2016 Chen
 D769,235 S * 10/2016 Li D14/253
 D772,218 S * 11/2016 Alesi D14/253
 D784,923 S * 4/2017 Song D13/108
 D792,418 S * 7/2017 Stener D14/451

2002/0191782 A1* 12/2002 Beger H04M 1/23
 379/419
 2010/0295228 A1* 11/2010 Woody B60R 11/0241
 269/254 R
 2010/0320341 A1* 12/2010 Baumann B60R 11/0241
 248/206.2
 2012/0267406 A1* 10/2012 Fan B60R 11/02
 224/482
 2014/0145051 A1* 5/2014 Gwag B60R 11/02
 248/298.1
 2014/0176062 A1* 6/2014 Jung B60R 11/02
 320/108

OTHER PUBLICATIONS

Amazon, "Car Mount PowerLead Chob BT11 Easy Touch Adjustable Universal Windshield/Dashboard Car Holder for iPhone 6s/6, Galaxy S7/S6—Black", https://www.amazon.com/PowerLead%ADBT11%ADAdjustable%ADUniversal%ADWindshield/dp/B01AC0W2Q2/ref=cm_cr_arp_d_product_top?ie=UTF8, Downloaded Feb. 7, 2017, 7 Pages.
 Amazon, "iOttie Easy One Touch 3 (V2.0) Car Mount Universal Phone Holder for iPhone 7 Plus 6s Plus SE Samsung Galaxy S7 Edge S6 Edge Note 5—Retail Packaging—Black", https://www.amazon.com/iOttie%C2%ADUniversal%C2%ADHolder-%C2%ADSamsung%C2%ADPackaging/dp/B01BZC262Q/ref=pd_sim_107_8?encoding=UTF8&psc=1&refRID=P32NR1SQJ%E2%80%A6, Downloaded Feb. 7, 2017, 10 Pages.
 Amazon, "Anker Dashboard Cell Phone Mount, Windshield Car Mount, Phone Holder for iPhone 7/7 plus/6/6s/6 Plus/6s Plus, Samsung S6/edge/S7/S7 edge, Note 5, LG G5, Nexus 5X/6/6P, HTC and Other Smartphones", https://www.amazon.com/iOttie%C2%ADUniversal%C2%ADHolder%C2%ADSamsung%C2%ADPackaging/dp/B01BZC262Q/ref=pd_sim_107_8?encoding=UTF8&psc=1&refRID=P32NR1SQJ%E2%80%A6, Downloaded Feb. 7, 2017, 8 Pages.

* cited by examiner

FIG. 1

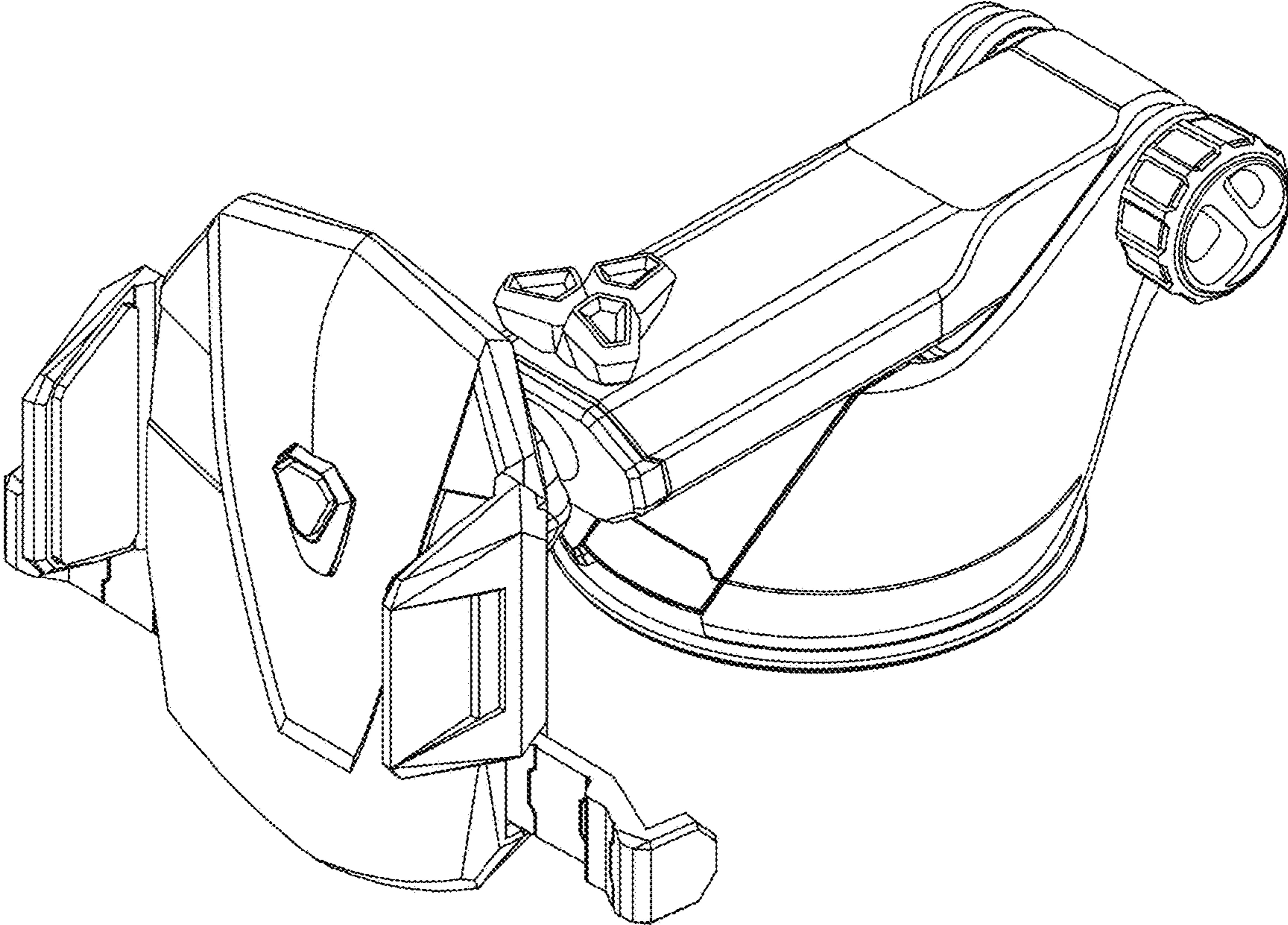


FIG. 2

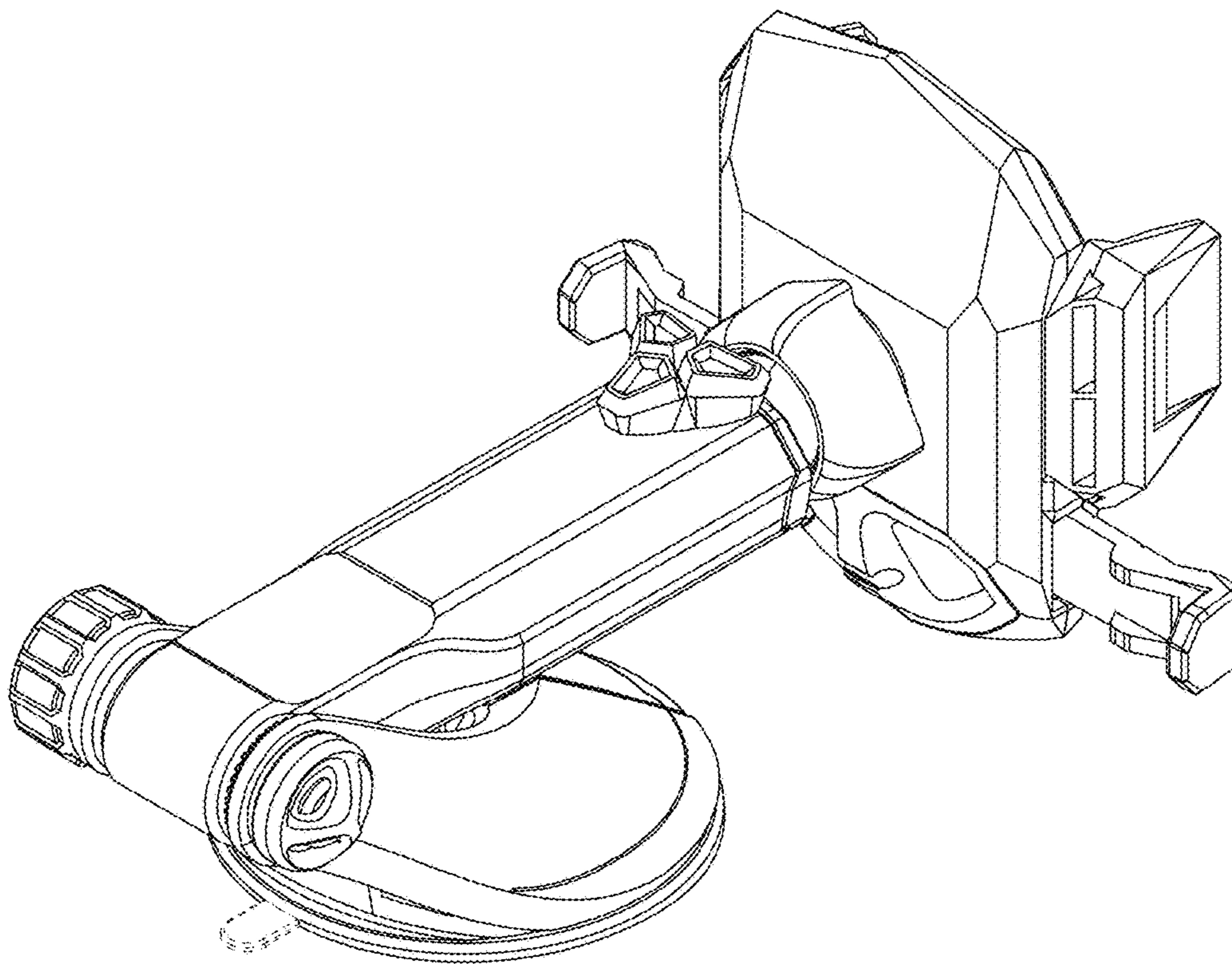


FIG. 3

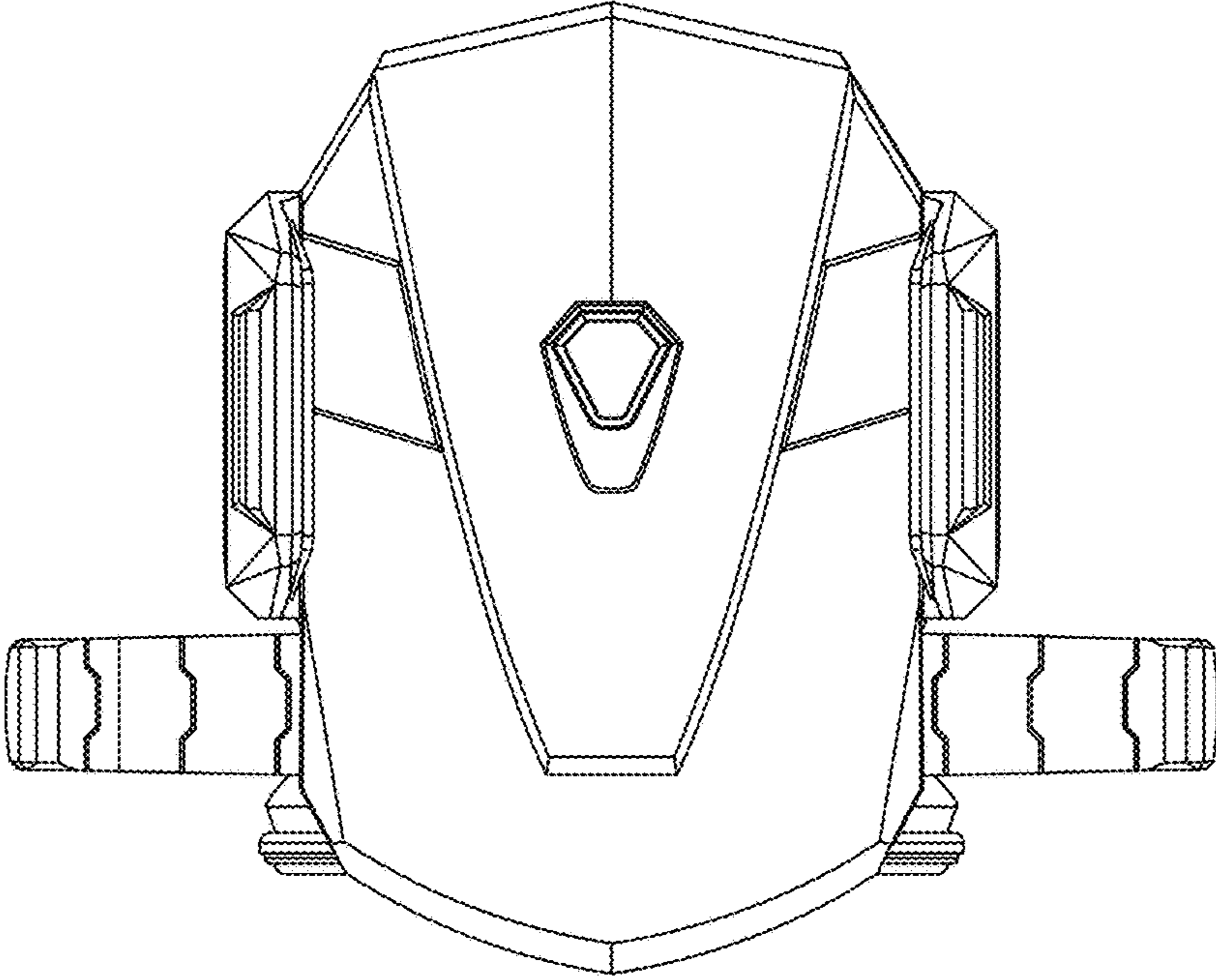


FIG. 4

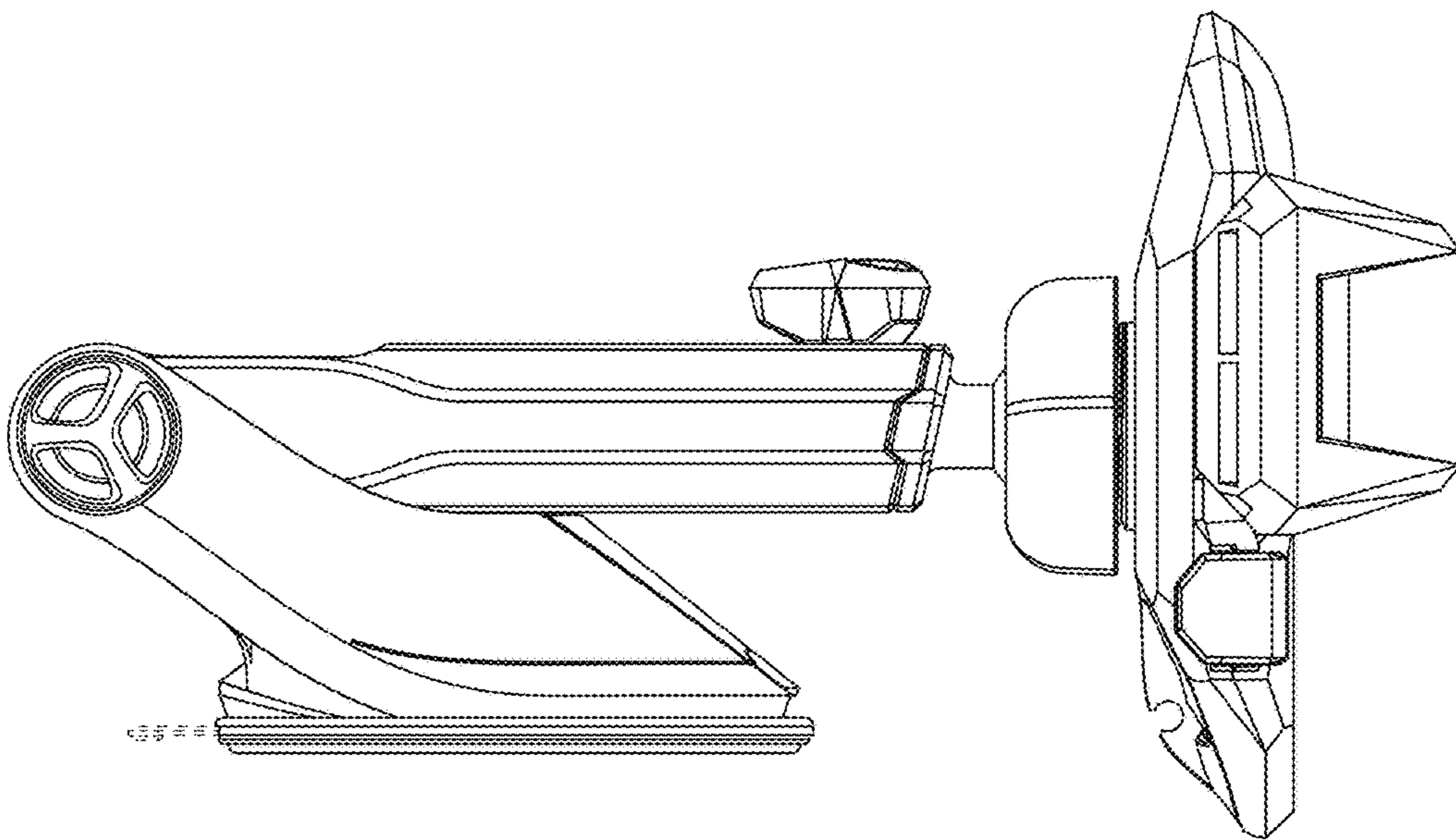


FIG. 5

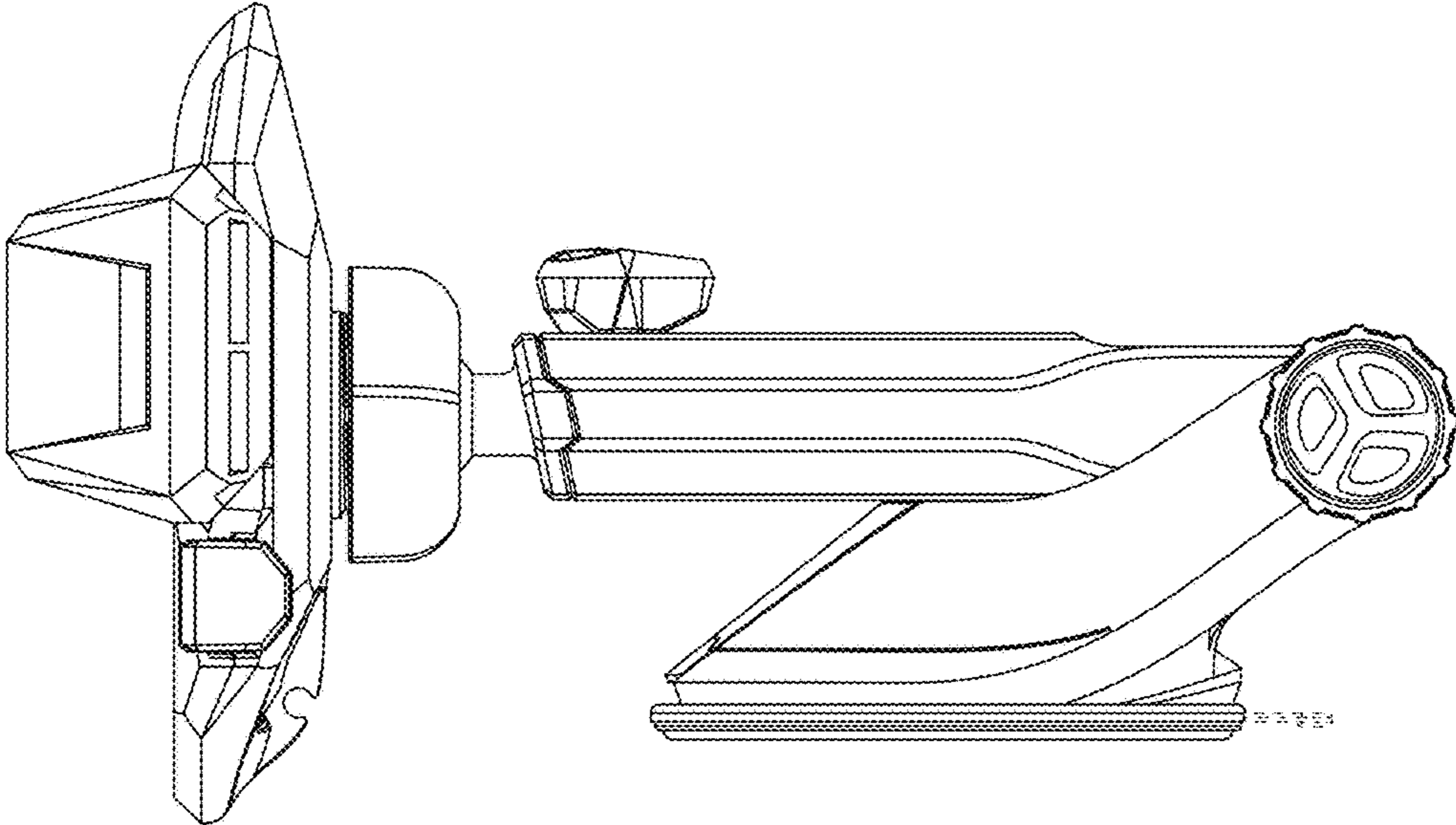


FIG. 6

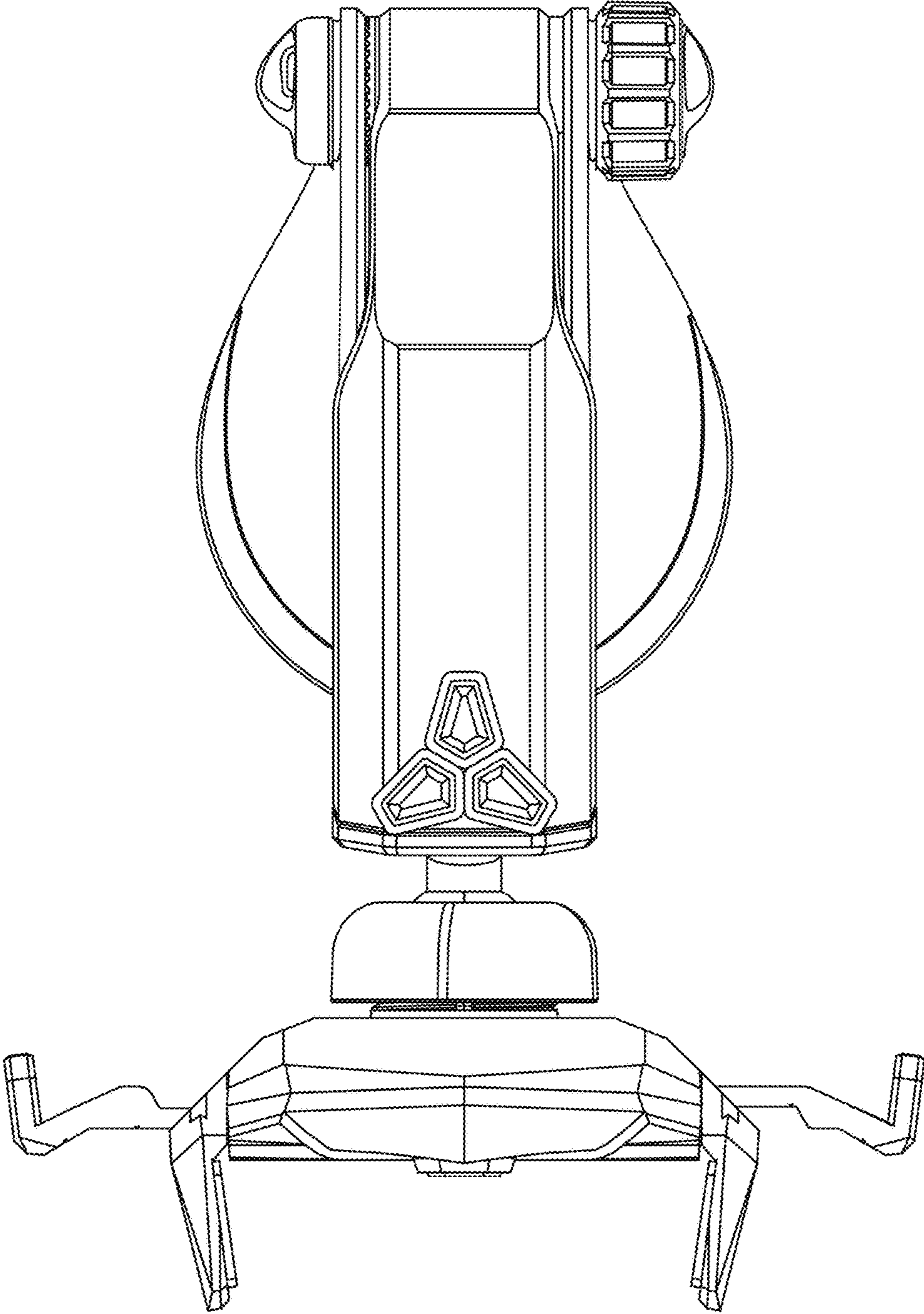


FIG. 7

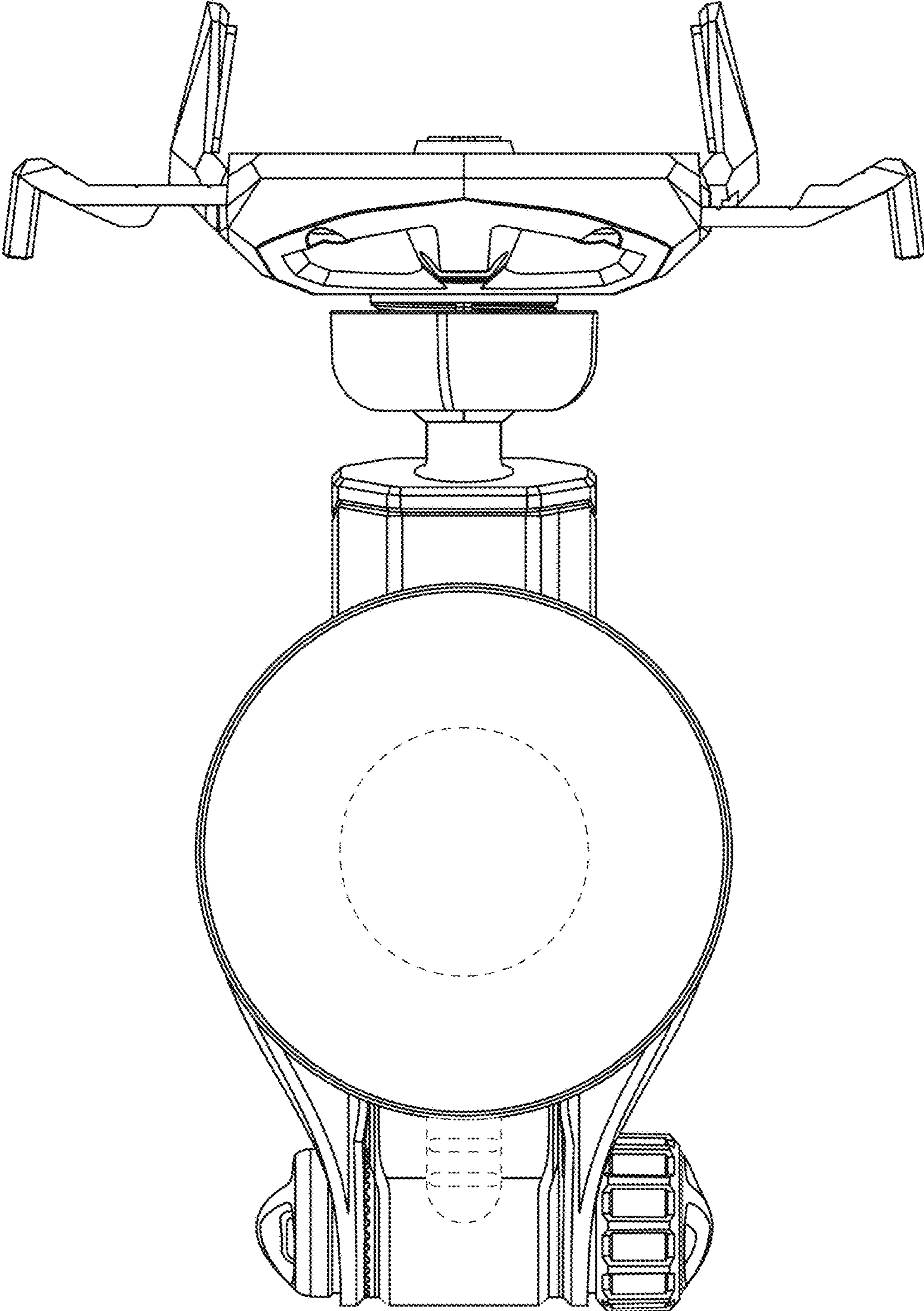


FIG. 8

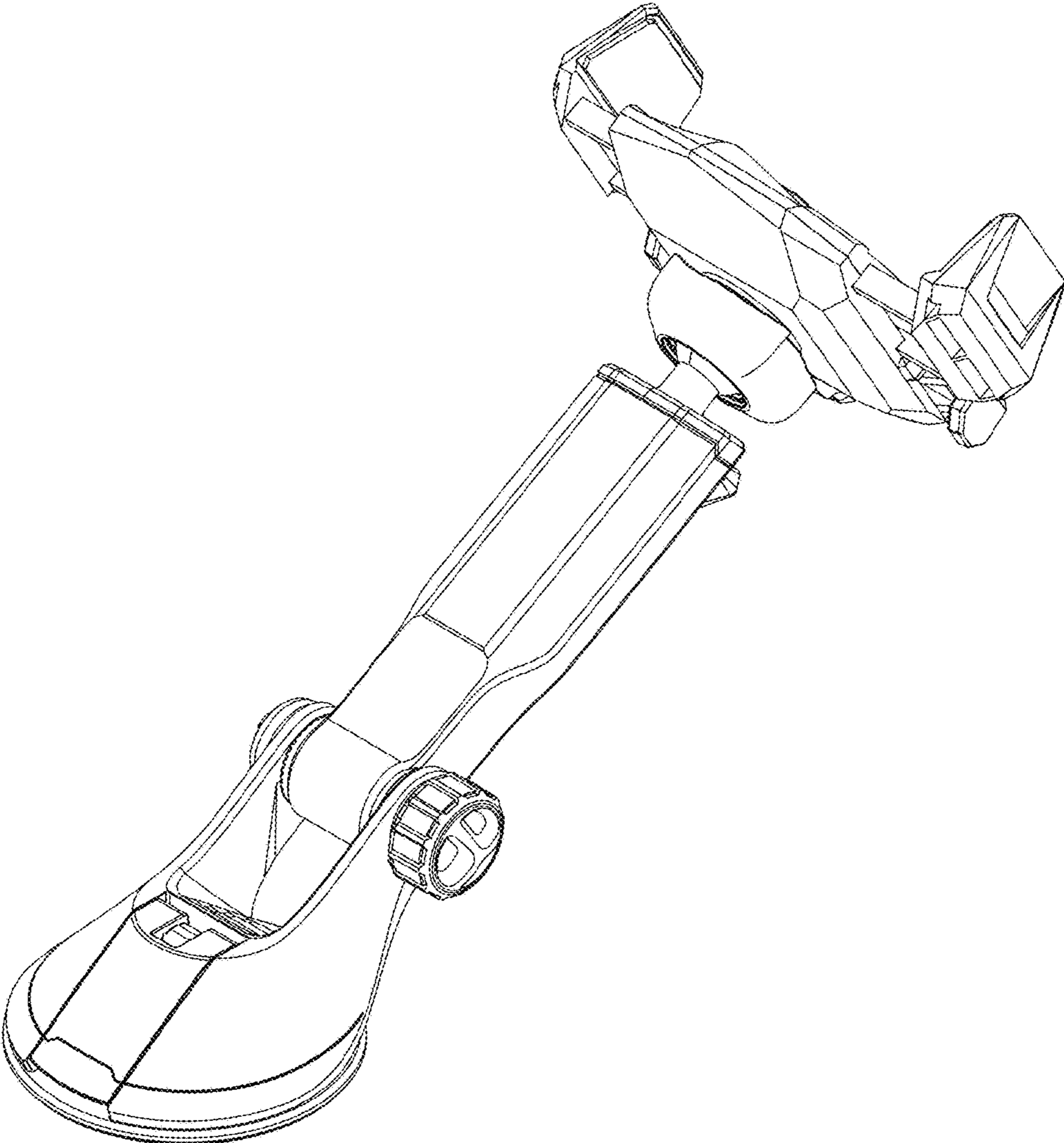


FIG. 9

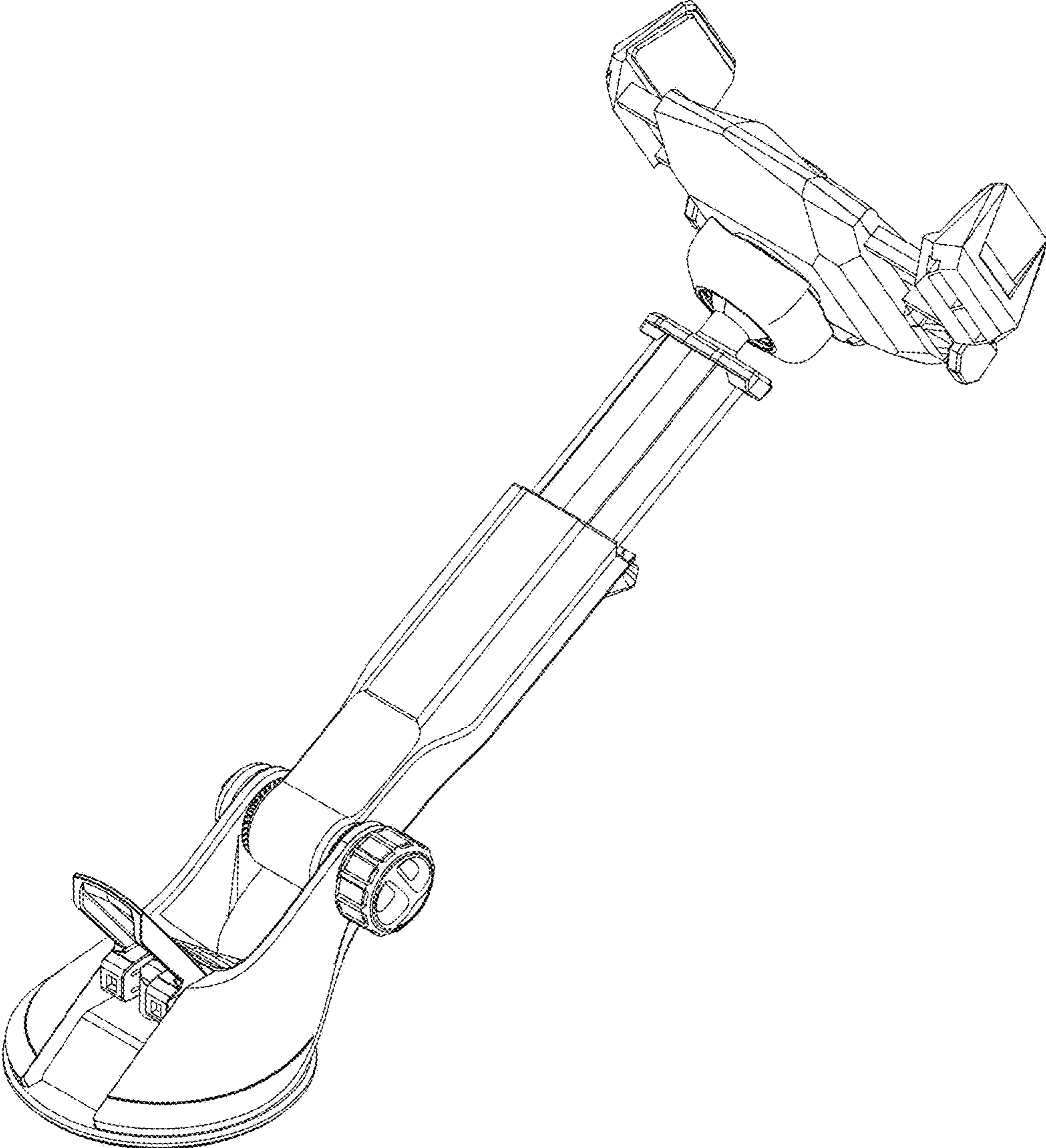


FIG. 10

