



US00D817316S

(12) **United States Design Patent** (10) **Patent No.:** **US D817,316 S**
Srour (45) **Date of Patent:** **** May 8, 2018**

(54) **PHONE ACCESSORY**
(71) Applicant: **Ikey Srour**, Brooklyn, NY (US)
(72) Inventor: **Ikey Srour**, Brooklyn, NY (US)
(**) Term: **15 Years**

(21) Appl. No.: **29/635,629**

(22) Filed: **Feb. 1, 2018**

(51) **LOC (11) Cl.** **14-03**

(52) **U.S. Cl.**

USPC **D14/251**; D3/247; D3/218

(58) **Field of Classification Search**

USPC D14/251-253, 250, 432, 434, 440, 447,
D14/451, 452, 496, 140, 142, 149, 217,
D14/240, 299; D21/333; D6/407, 633;
D19/75, 86-88, 90, 91, 99, 100;
D16/237, 242, 245; D3/215, 218, 247
CPC H04M 1/00; H04M 1/04; H04M 1/06;
H04M 1/11; H04M 1/15; F16M 11/04;
F16M 11/041; F16M 11/40; F16M 13/00;
F16M 13/04; B60R 11/02; B60R
11/0241; B60R 11/0258; B60R 11/0252;
H04B 1/3888; H04B 2001/3861

See application file for complete search history.

(56) **References Cited**

U.S. PATENT DOCUMENTS

2,825,378 A * 3/1958 Vaca A45C 1/06
150/143
D314,865 S * 2/1991 Tuisku D3/247
D330,632 S * 11/1992 Hensley D3/251
D332,347 S * 1/1993 Raadt D3/201
D404,762 S * 1/1999 Vogel D3/247
5,944,080 A * 8/1999 Podwika A45C 11/182
150/137
D446,647 S * 8/2001 Protheroe D3/247
D446,648 S * 8/2001 Protheroe D3/247
D447,868 S * 9/2001 Protheroe D3/247
D470,657 S * 2/2003 Kawamura D11/216
D471,008 S 3/2003 Dubone

D481,537 S 11/2003 Vaughn
D509,955 S * 9/2005 Williams D3/247
D527,898 S 9/2006 Tavone

(Continued)

OTHER PUBLICATIONS

RFID Blocking Credit Card Holder Wallet Money Clip Case.
fasttech.com. [online] 4 pgs. Date listed Oct. 2017 [Retrieved on
Mar. 6, 2018] <https://www.fasttech.com/products/9343200>.*

Primary Examiner — Susan Bennett Hattan

Assistant Examiner — Marie D. Fast Horse

(74) *Attorney, Agent, or Firm* — Michael J. Feigin, Esq.;
Feigin and Fridman

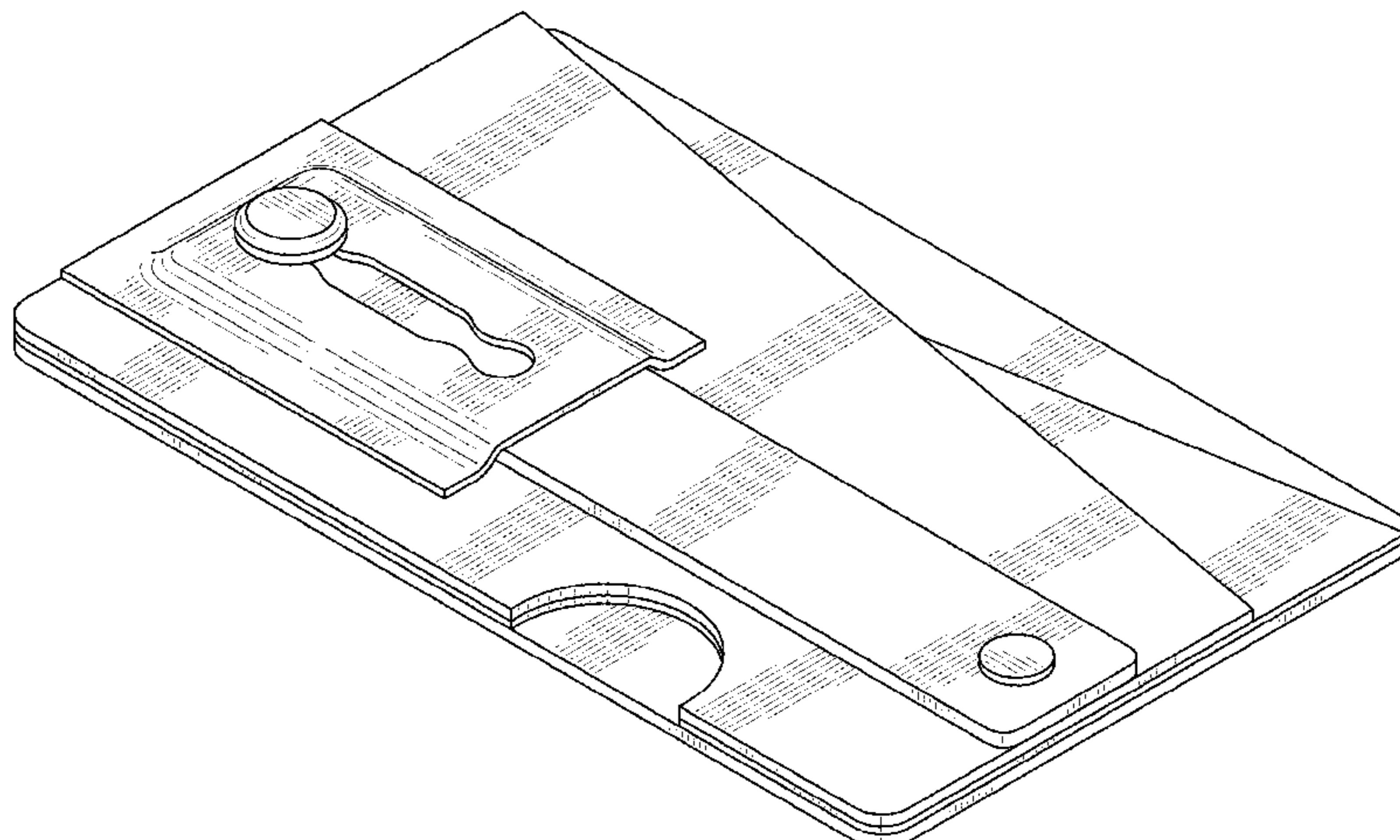
(57) **CLAIM**

The ornamental design for a phone accessory, as shown and
described.

DESCRIPTION

FIG. 1 is a top and side perspective view of a phone
accessory;
FIG. 2 is a front view thereof;
FIG. 3 is a rear view thereof;
FIG. 4 is a rear view thereof;
FIG. 5 is a rear view thereof;
FIG. 6 is a third side view thereof; and
FIG. 7 is a fourth side view thereof;
FIG. 8 is a top and side perspective view thereof, showing
the strap in a retracted position for use;
FIG. 9 is a front view thereof;
FIG. 10 is a rear view thereof.
FIG. 11 is a first side view thereof;
FIG. 12 is a second side view thereof;
FIG. 13 is a third side view thereof; and,
FIG. 14 is a fourth side view thereof.
The broken lines depicts portions of the phone accessory are
for illustration purposes only and form no part of the claimed
design.

1 Claim, 7 Drawing Sheets



(56)

References Cited

U.S. PATENT DOCUMENTS

D547,062 S 7/2007 Chang
 D572,465 S * 7/2008 Beck D3/215
 D610,798 S * 3/2010 Silvera D3/218
 D622,958 S * 9/2010 Moore D3/247
 D675,197 S * 1/2013 Losiewicz D14/250
 D689,479 S * 9/2013 Soffer D14/253
 D690,931 S * 10/2013 Minn D3/247
 D699,757 S * 2/2014 Wilkey D14/217
 D703,647 S * 4/2014 Kim D14/250
 D703,949 S * 5/2014 Chappell D3/249
 D705,764 S * 5/2014 Thoni D14/250
 D705,767 S * 5/2014 Yoon D14/250
 D707,965 S * 7/2014 Requa D3/247
 D716,043 S * 10/2014 Wilk D3/247
 D717,780 S * 11/2014 Tussy D14/250
 D719,143 S * 12/2014 Vidovic D14/250
 D719,350 S * 12/2014 Daoura D3/247
 D721,373 S * 1/2015 Logereau D14/432
 D722,235 S * 2/2015 Meng D3/318
 D723,799 S 3/2015 Glass et al.
 D724,841 S 3/2015 Schneider et al.
 D728,230 S * 5/2015 Oas D3/247
 D730,047 S 5/2015 Yi
 D738,619 S * 9/2015 Gluck D3/247
 D738,872 S * 9/2015 Erickson-Davis D14/250
 D743,409 S * 11/2015 Chen D14/447
 D745,014 S * 12/2015 Vales D14/447
 D745,274 S * 12/2015 Minn D3/247
 D747,093 S * 1/2016 Rogers D3/218
 D749,069 S * 2/2016 Senoff D14/251
 D751,289 S 3/2016 Gluck
 D756,366 S * 5/2016 Floersch D14/447
 D759,966 S * 6/2016 Pignotti D3/247

D768,382 S * 10/2016 Wu D3/247
 D768,383 S * 10/2016 Wu D3/247
 D772,212 S * 11/2016 Daniel D14/250
 D772,882 S * 11/2016 Paschke D14/440
 D775,824 S * 1/2017 King D3/247
 D776,426 S 1/2017 Smith
 D777,162 S * 1/2017 Erickson-Davis D14/250
 D780,449 S * 3/2017 King D3/247
 D789,076 S * 6/2017 Pierre D3/218
 D794,007 S * 8/2017 Zhang D14/250
 D798,591 S * 10/2017 King D3/247
 D806,386 S * 1/2018 King D3/247
 D808,158 S * 1/2018 King D3/247
 2011/0192857 A1 * 8/2011 Rothbaum F16M 11/041
 220/694
 2012/0168483 A1 * 7/2012 Jambunathan H04B 1/3888
 224/576
 2013/0001382 A1 * 1/2013 Jang F16M 11/041
 248/176.1
 2013/0148271 A1 * 6/2013 Huang H04B 1/3888
 361/679.01
 2013/0277991 A1 * 10/2013 Wu F16M 13/00
 294/25
 2015/0201743 A1 * 7/2015 Erickson-Davis ... H04B 1/3888
 224/218
 2015/0288409 A1 * 10/2015 Forsythe H04B 1/3888
 455/575.6
 2015/0335138 A1 * 11/2015 Juarbe H04B 1/3888
 224/218
 2015/0365125 A1 * 12/2015 Murphy F16M 13/00
 455/575.6
 2016/0058162 A1 * 3/2016 Wang H04B 1/3888
 224/219
 2017/0293207 A1 * 10/2017 Jeon F16M 11/041

* cited by examiner

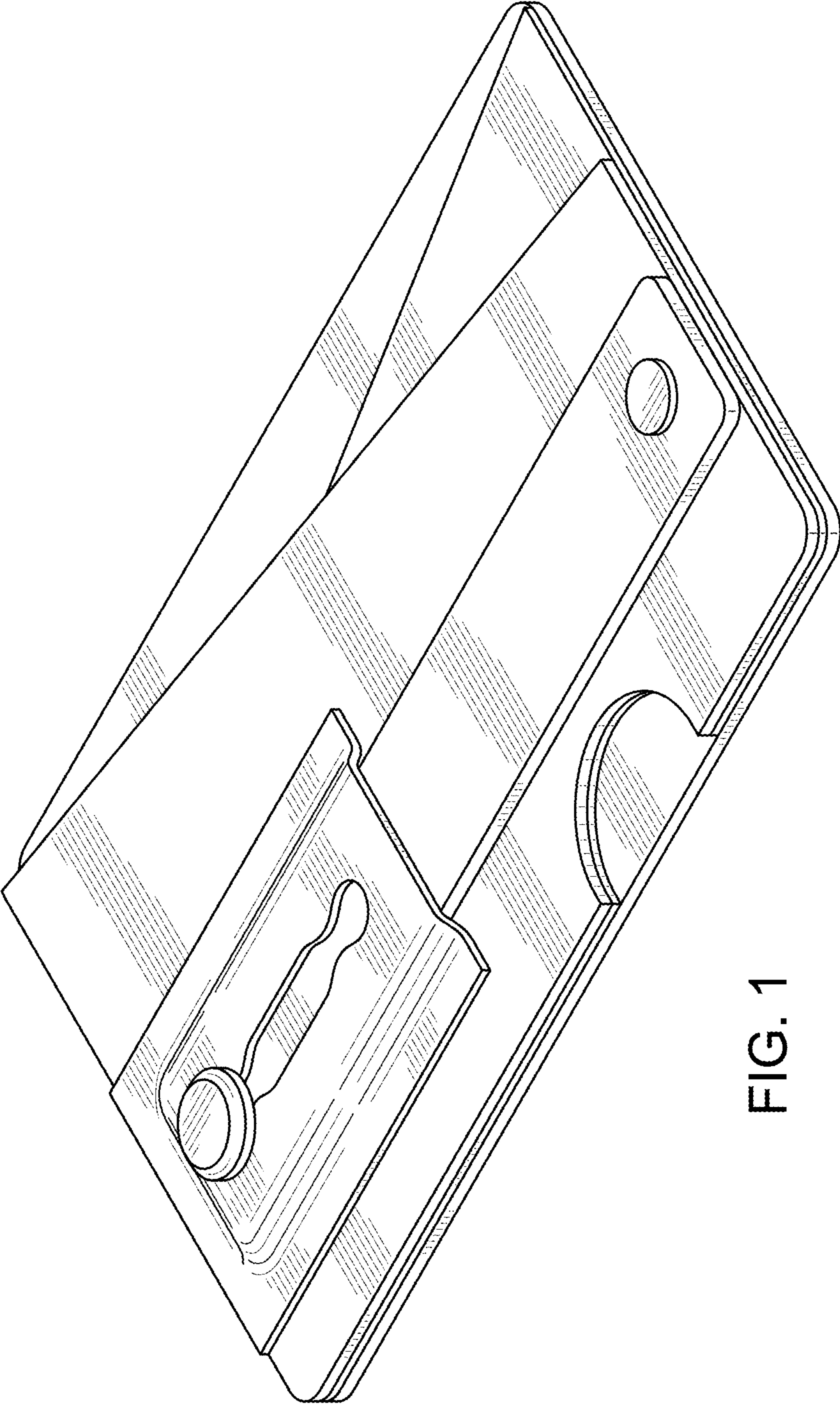


FIG. 1

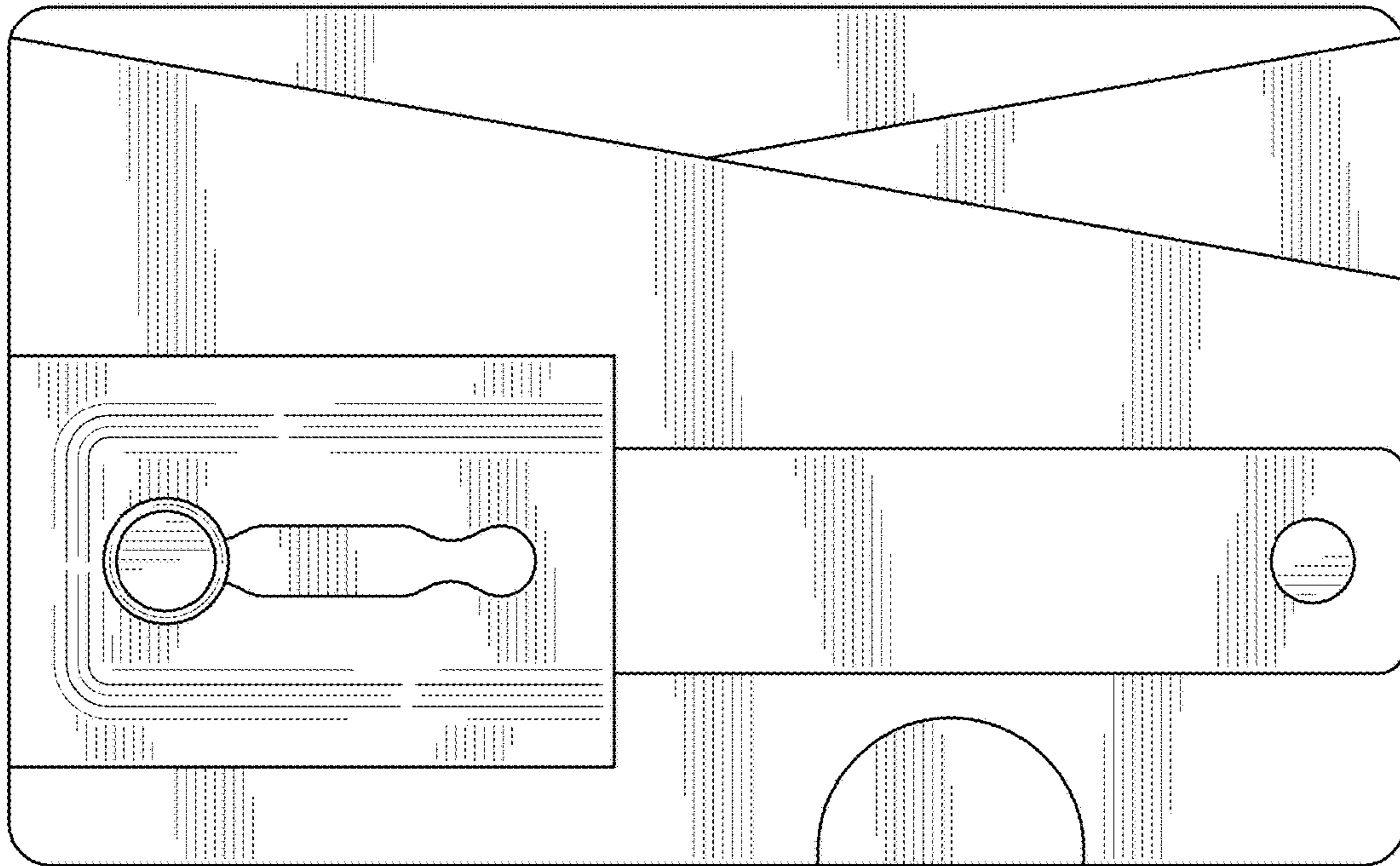


FIG. 2



FIG. 3

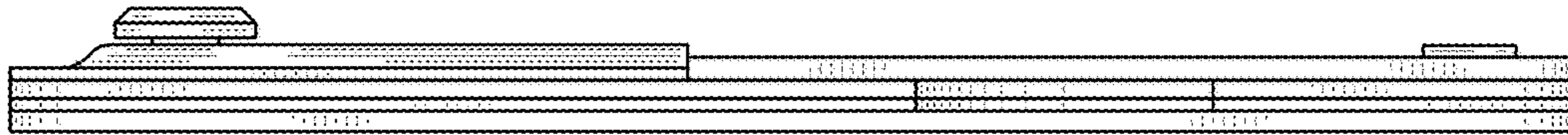


FIG. 4

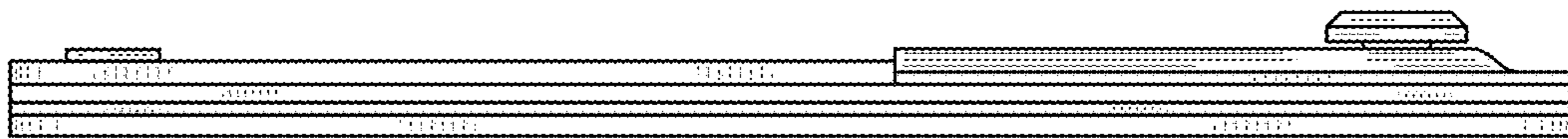


FIG. 5

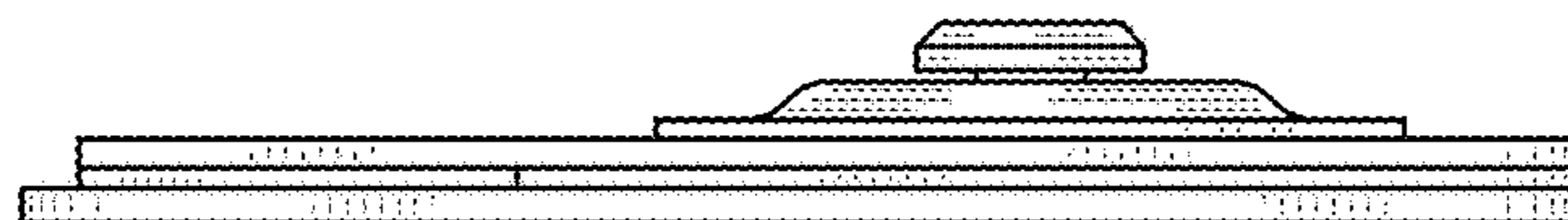


FIG. 6



FIG. 7

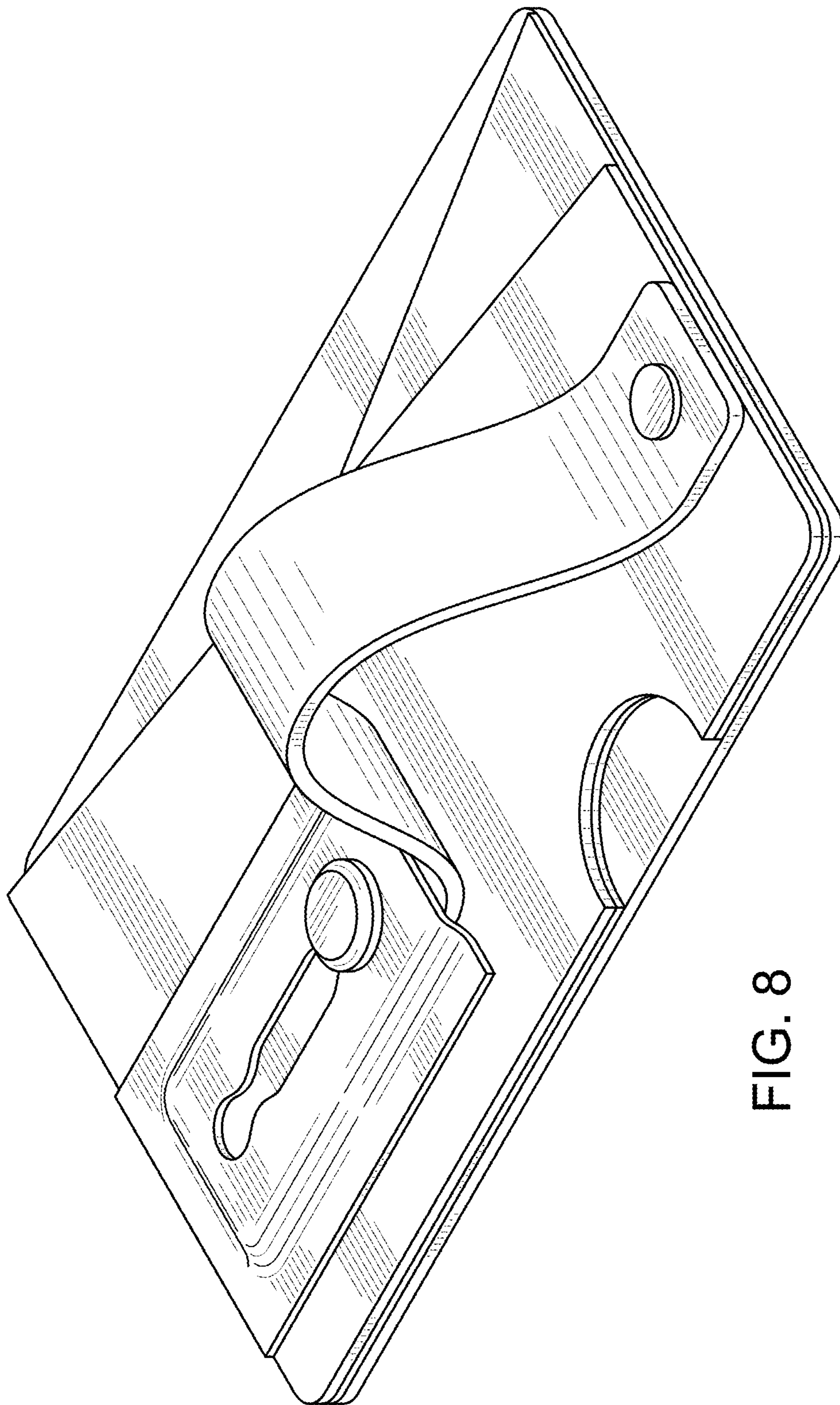


FIG. 8

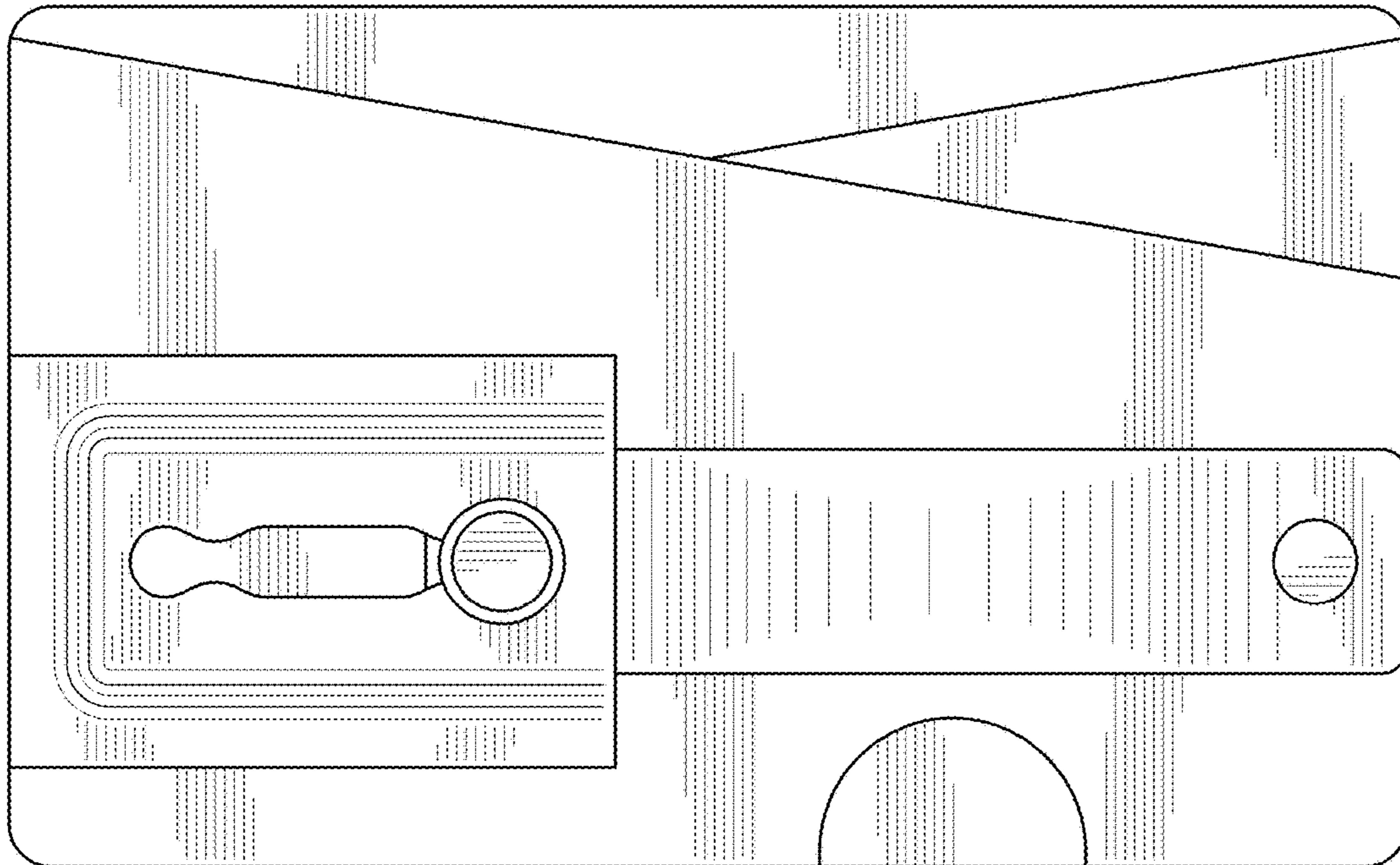


FIG. 9



FIG. 10

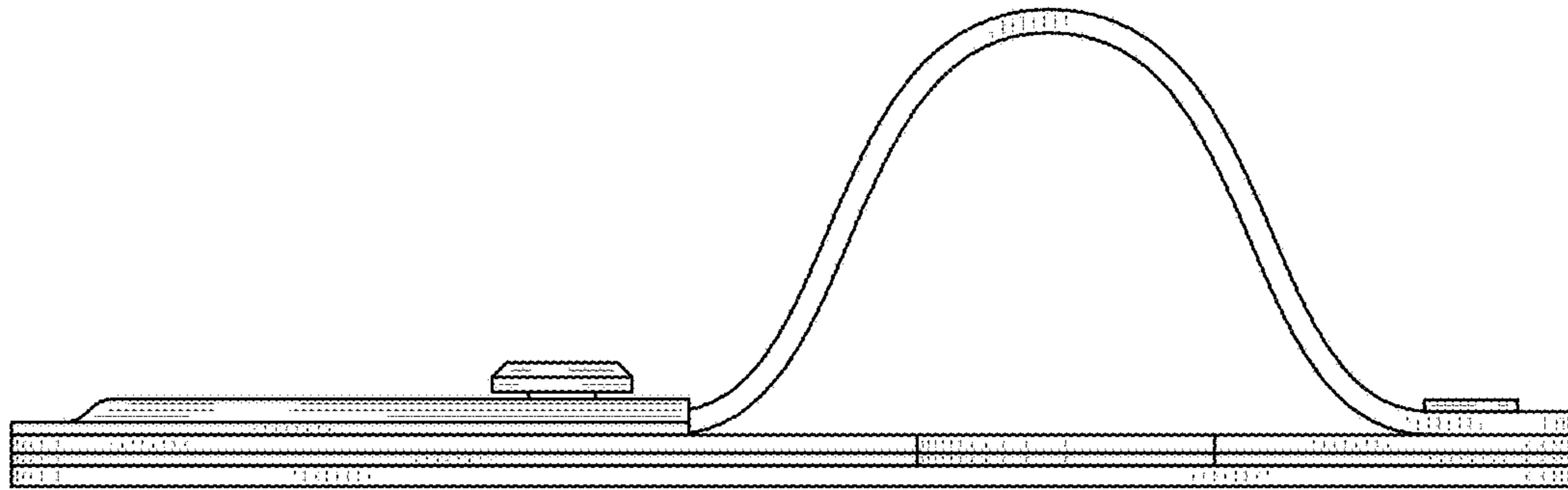


FIG. 11

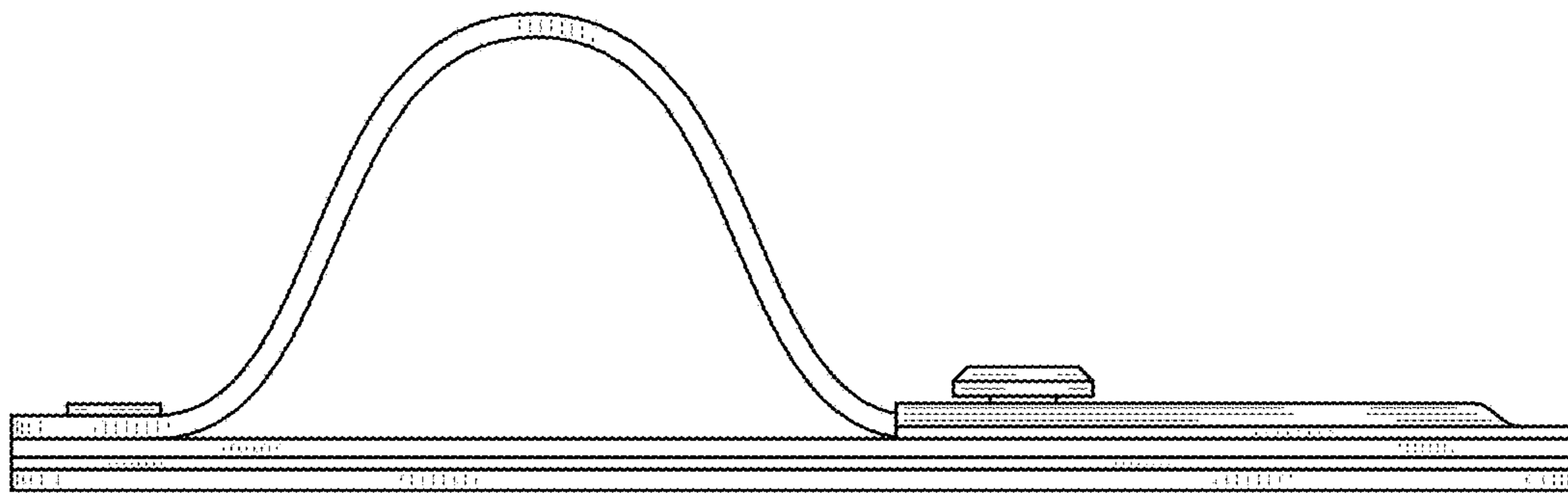


FIG. 12

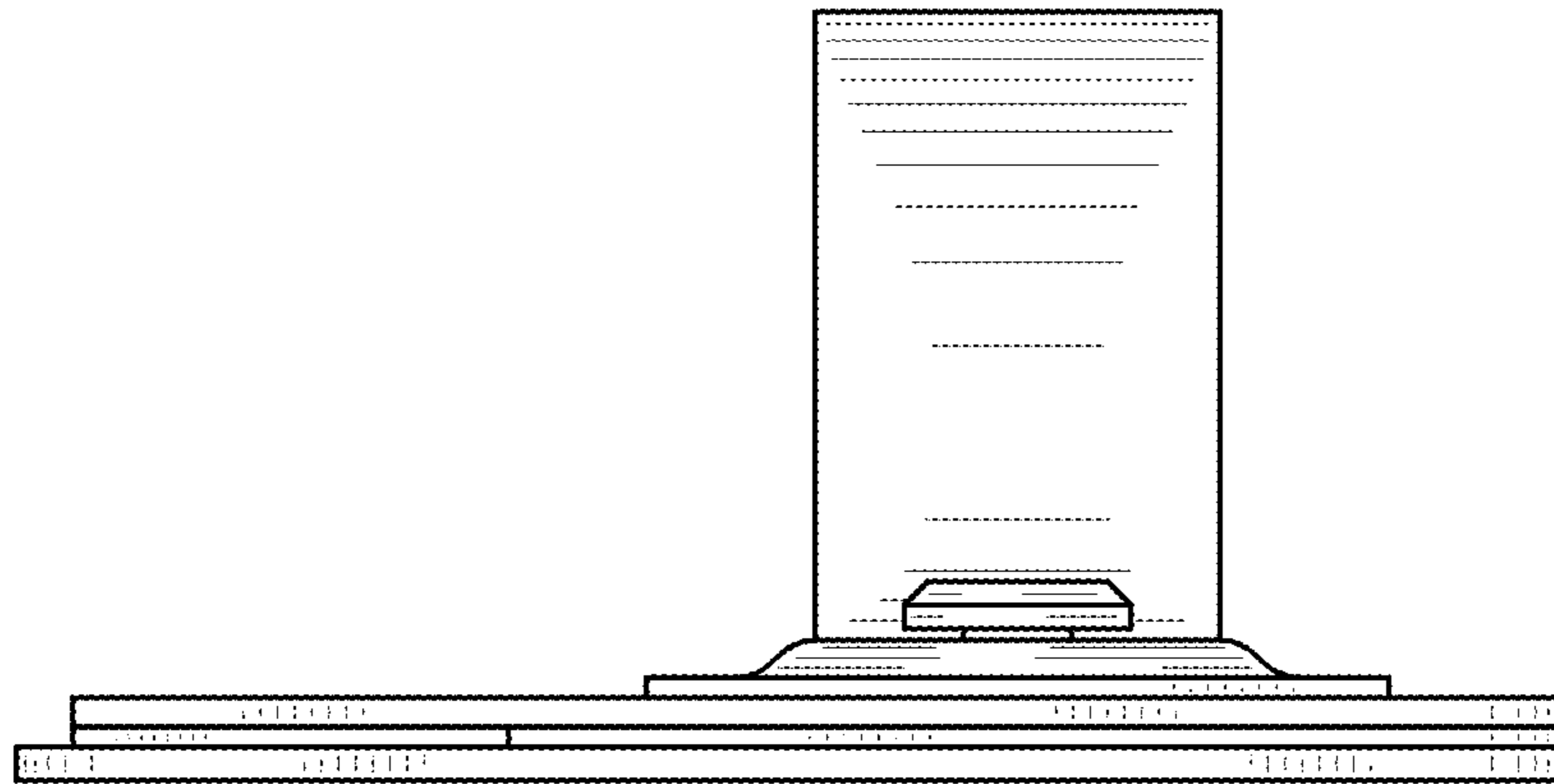


FIG. 13

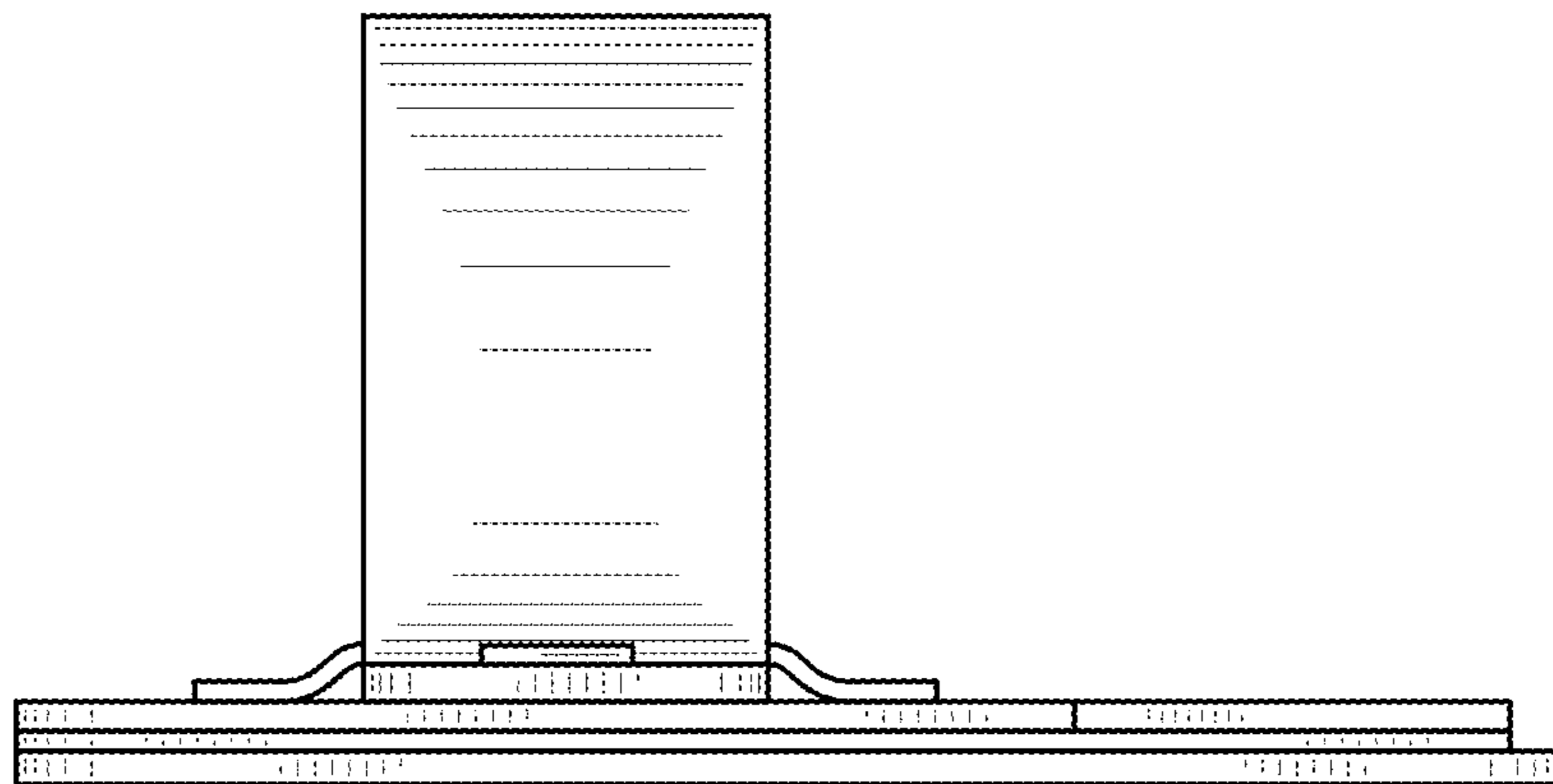


FIG. 14