



US00D817311S

(12) **United States Design Patent** (10) **Patent No.:** **US D817,311 S**
Skrepcinski et al. (45) **Date of Patent:** **** May 8, 2018**

(54) **HIGH CAPACITY SECTOR MOUNT**
(71) Applicant: **CommScope Technologies LLC**,
Hickory, NC (US)
(72) Inventors: **Alan J. Skrepcinski**, Plano, TX (US);
Michael S. McFall, Mansfield, TX
(US); **Kevin L. Rovell**, Fort Worth, TX
(US); **Allen D. Willis**, North Richland
Hills, TX (US)

(73) Assignee: **CommScope Technologies LLC**,
Hickory, NC (US)

(**) Term: **14 Years**

(21) Appl. No.: **29/518,278**

(22) Filed: **Feb. 21, 2015**

(51) **LOC (11) Cl.** **14-03**

(52) **U.S. Cl.**
USPC **D14/230**

(58) **Field of Classification Search**
USPC D14/203–238, 138, 358; D12/42–43
CPC H01Q 1/12; H01Q 1/00; H01Q 1/007;
H01Q 1/084; H01Q 1/088; H01Q 1/10;
H01Q 7/00; H01Q 13/10; H01Q 9/285;
H01Q 19/30; H01Q 19/12; H01Q 1/38;
H04B 1/0475; H04B 1/034; H04B 10/00;
H04B 13/00; H04B 14/00; H05K 11/00
See application file for complete search history.

(56) **References Cited**

U.S. PATENT DOCUMENTS

2,928,641 A 3/1960 Pfaff, Jr.
5,787,673 A 8/1998 Noble
5,920,291 A * 7/1999 Bosley H01Q 1/1207
343/879
5,971,345 A * 10/1999 Khalaf H01Q 1/125
248/512

7,086,207 B2 8/2006 Piburn et al.
7,113,145 B1 * 9/2006 Noble H01Q 1/1228
248/218.4
D532,412 S * 11/2006 Yang D14/234
7,466,286 B2 * 12/2008 Chapman H01Q 1/1228
343/874
7,659,865 B2 * 2/2010 Kreitzberg H01Q 1/1235
343/880
8,939,143 B2 * 1/2015 Zuritis F24J 2/5232
126/569
2002/0089466 A1 7/2002 Magee et al.
(Continued)

Primary Examiner — Shannon Morgan
Assistant Examiner — Debra A Callahan
(74) *Attorney, Agent, or Firm* — Myers Bigel, P.A.

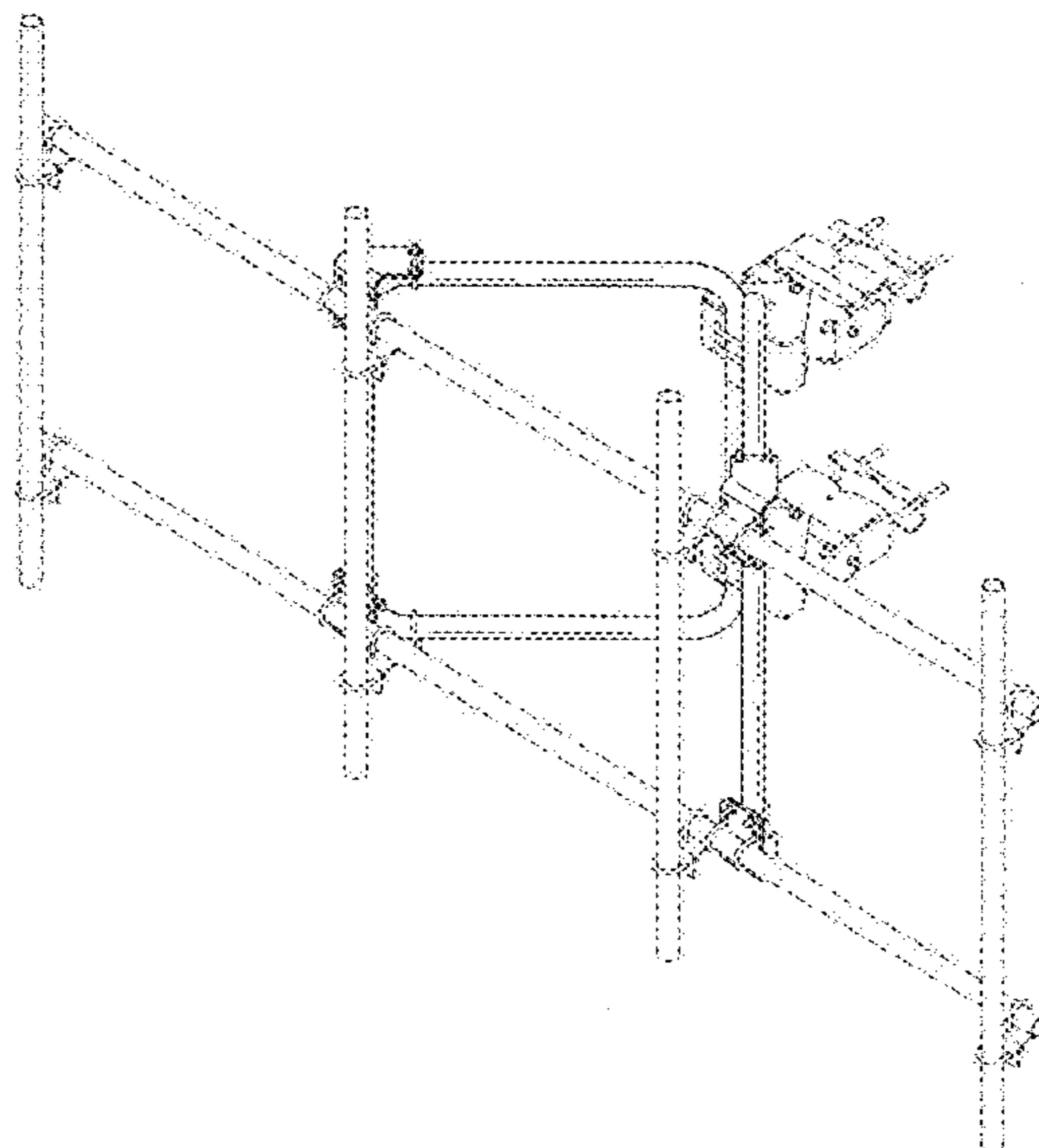
(57) **CLAIM**

The ornamental design for a high capacity sector mount, as shown and described.

DESCRIPTION

FIG. 1 is a front perspective view of the high capacity sector mount showing our new design;
FIG. 2 is a right side elevational view thereof;
FIG. 3 is a close-up, top plan partial view of a right side front area thereof;
FIG. 4 is a close-up, top plan partial view of a left side front area thereof;
FIG. 5 is a front perspective view of the high capacity sector mount thereof;
FIG. 6 is a rear perspective view of the high capacity sector mount of FIG. 5;
FIG. 7 is a left side elevational view thereof;
FIG. 8 is a front elevational view thereof;
FIG. 9 is a rear elevational view thereof;
FIG. 10 is a top plan view thereof; and,
FIG. 11 is a bottom plan view thereof.
The broken lines in the figures illustrate portions of the high capacity sector mount that form no part of the claim design.

1 Claim, 11 Drawing Sheets



(56)

References Cited

U.S. PATENT DOCUMENTS

2004/0130500 A1* 7/2004 Takei G06K 19/07728
343/895
2007/0261355 A1 11/2007 Carlisle et al.
2010/0115856 A1 5/2010 Carlisle et al.
2011/0043414 A1* 2/2011 Webb H01Q 1/02
343/702
2011/0279347 A1* 11/2011 Pass H01Q 1/1242
343/890
2012/0229363 A1* 9/2012 Webb H01Q 1/007
343/895
2013/0169504 A1* 7/2013 Jenwatanavet H01Q 1/242
343/848

* cited by examiner

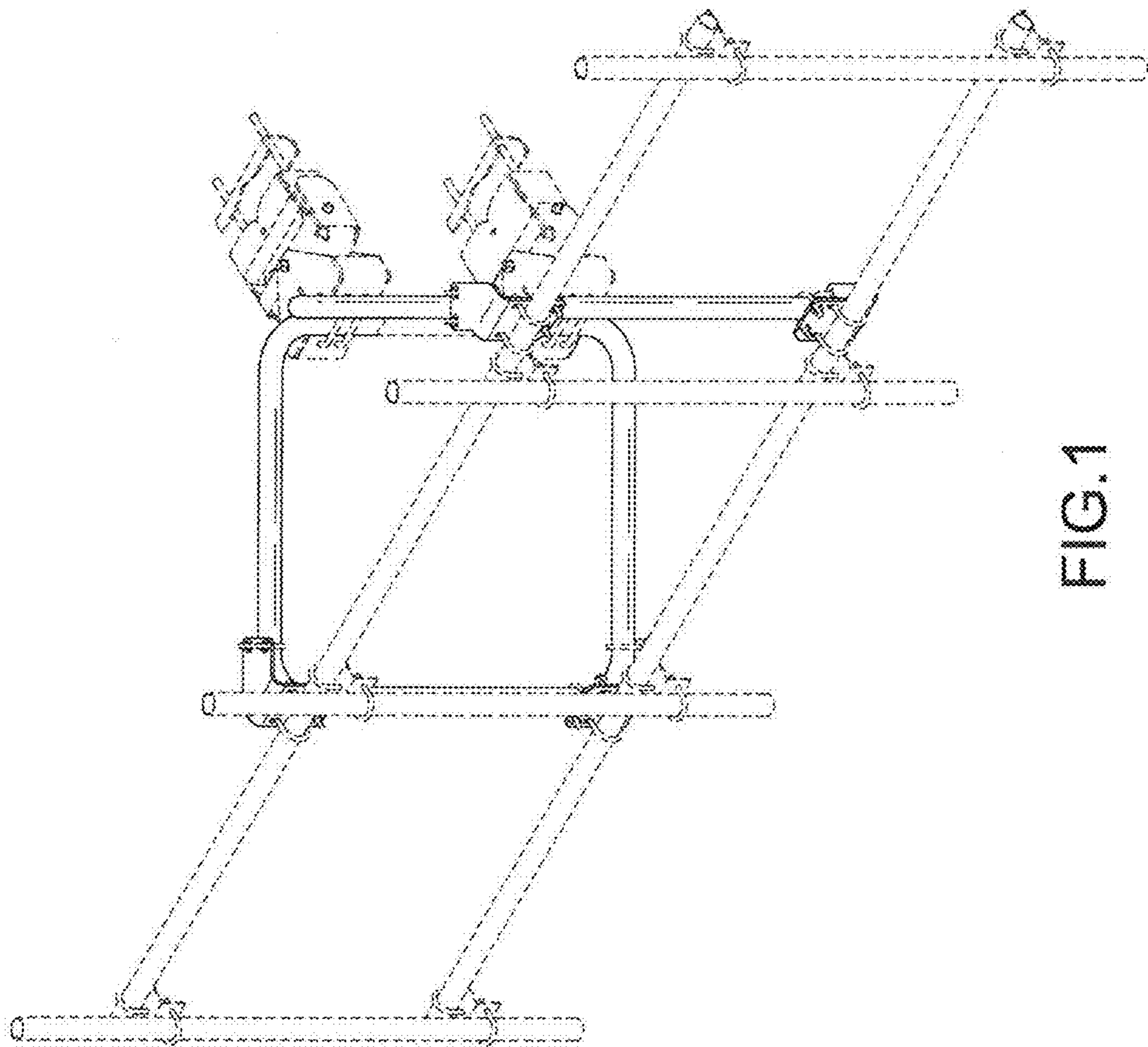


FIG. 1

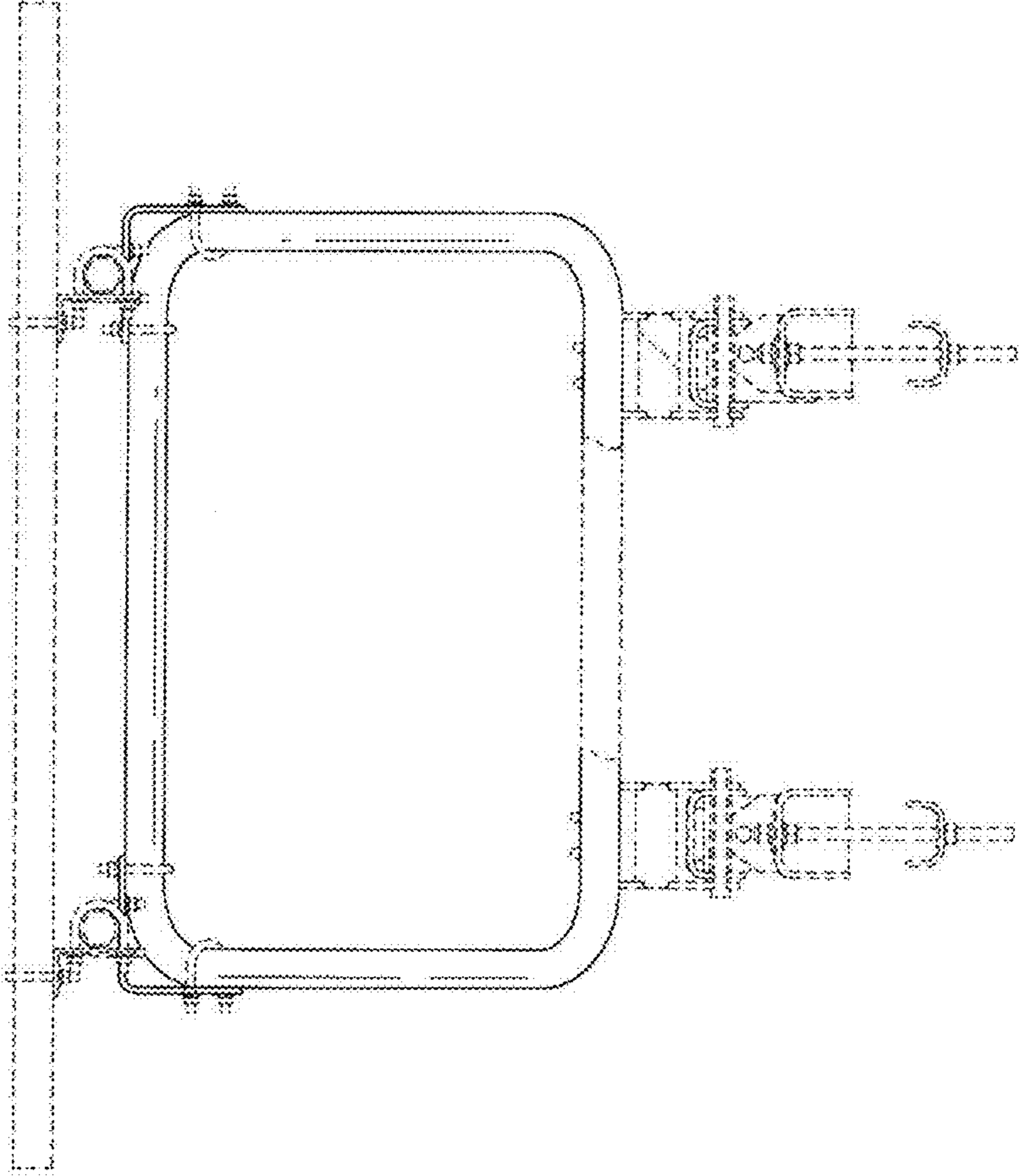


FIG.2

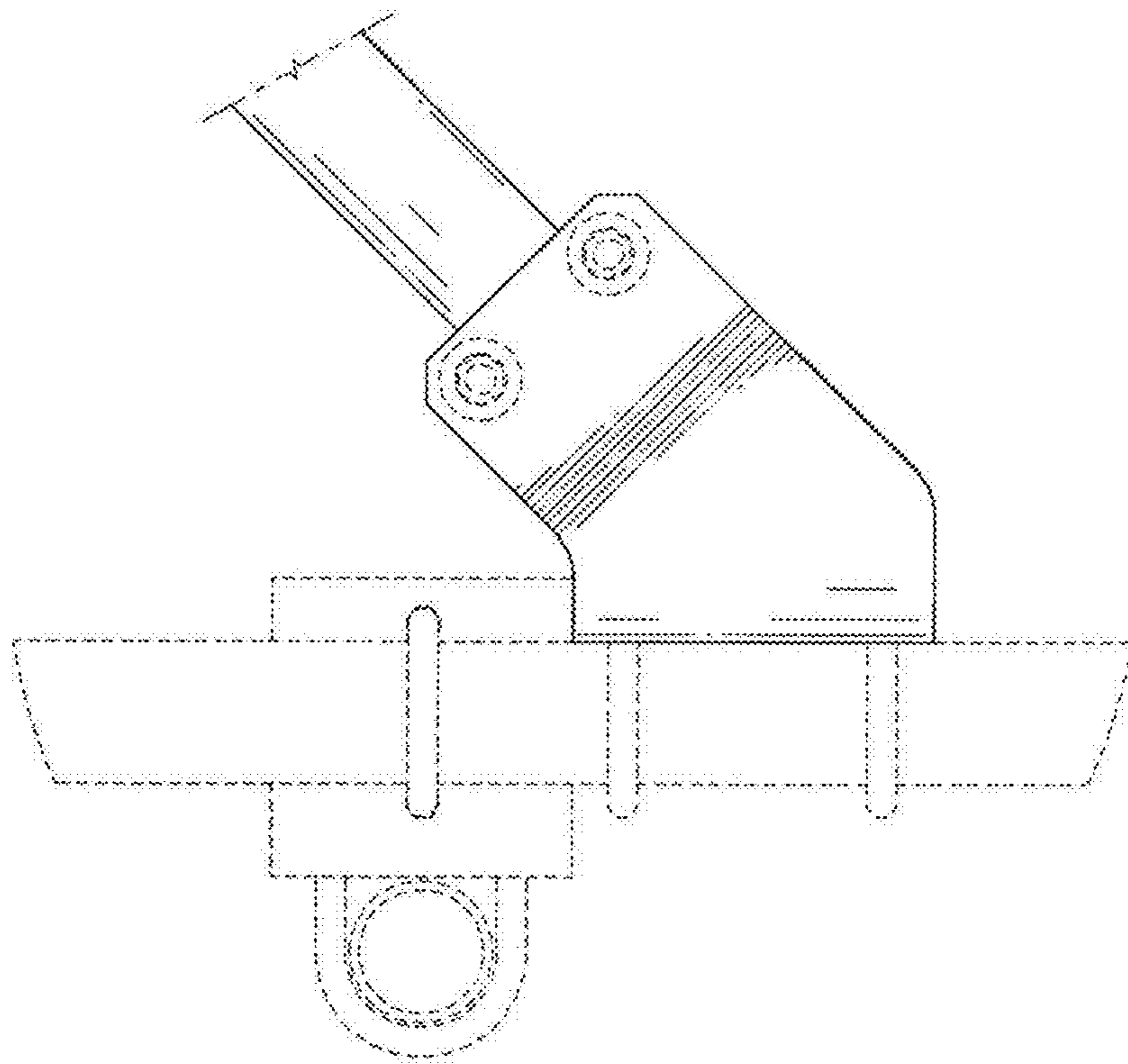


FIG.3

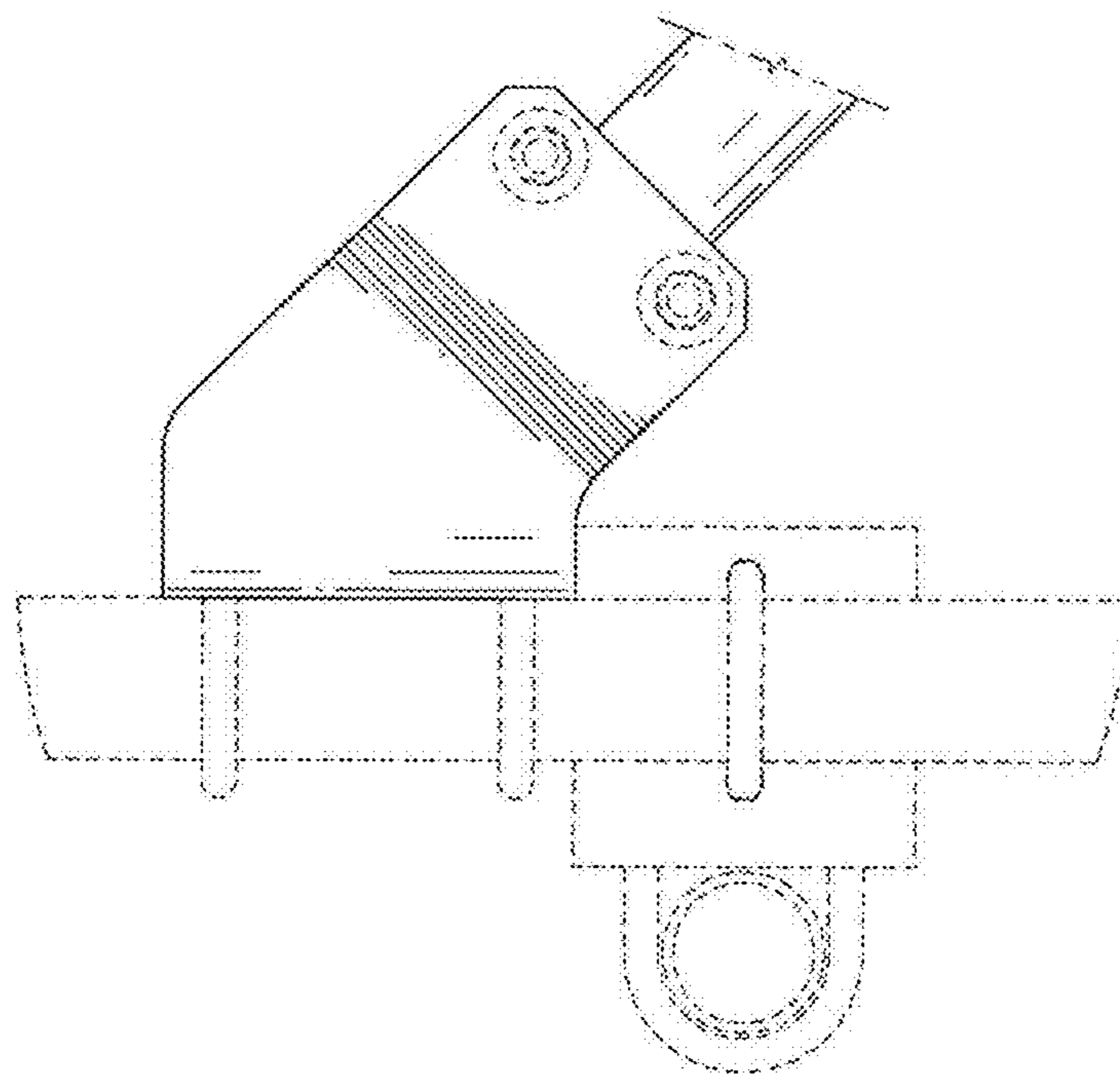


FIG.4

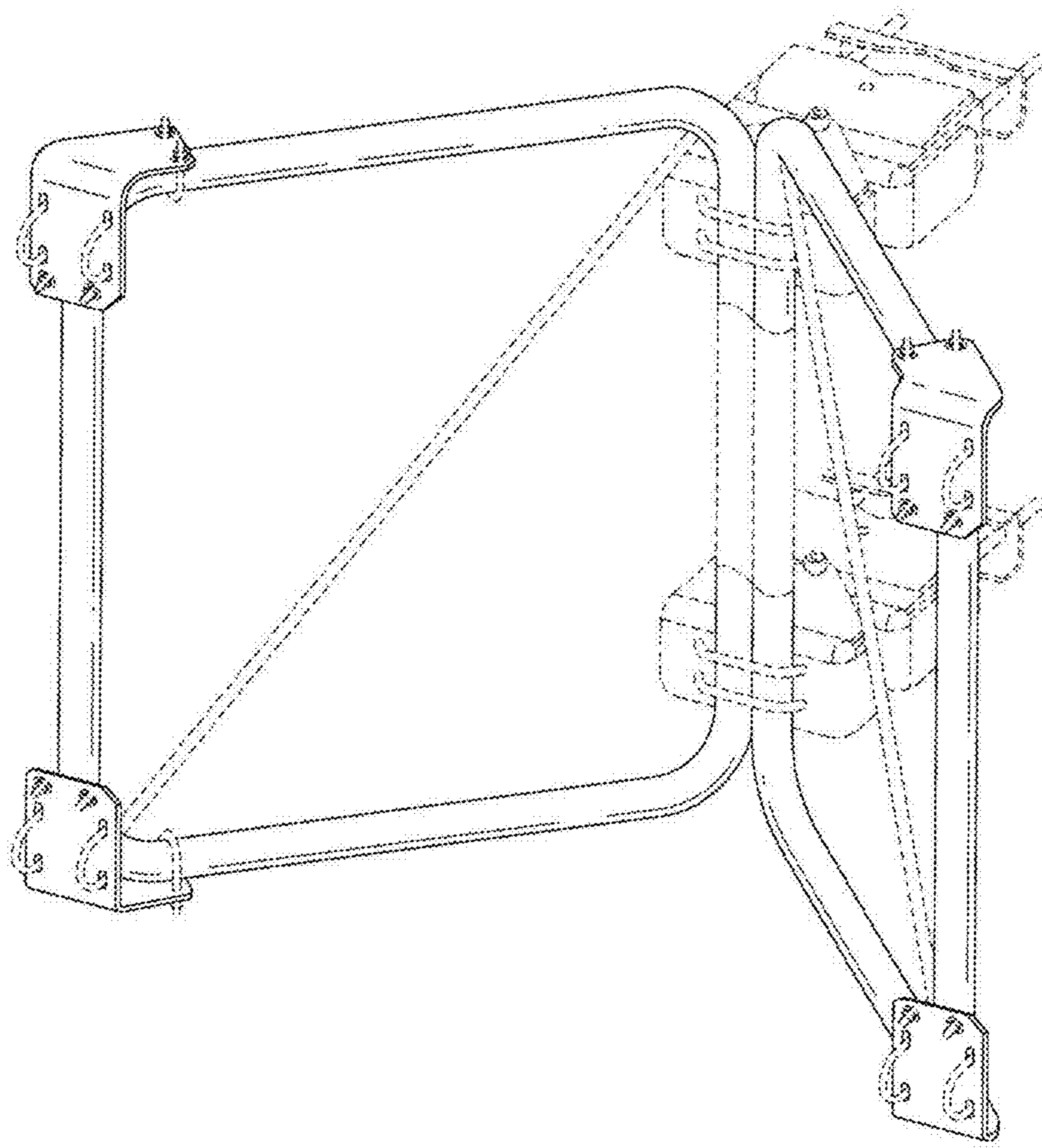


FIG.5

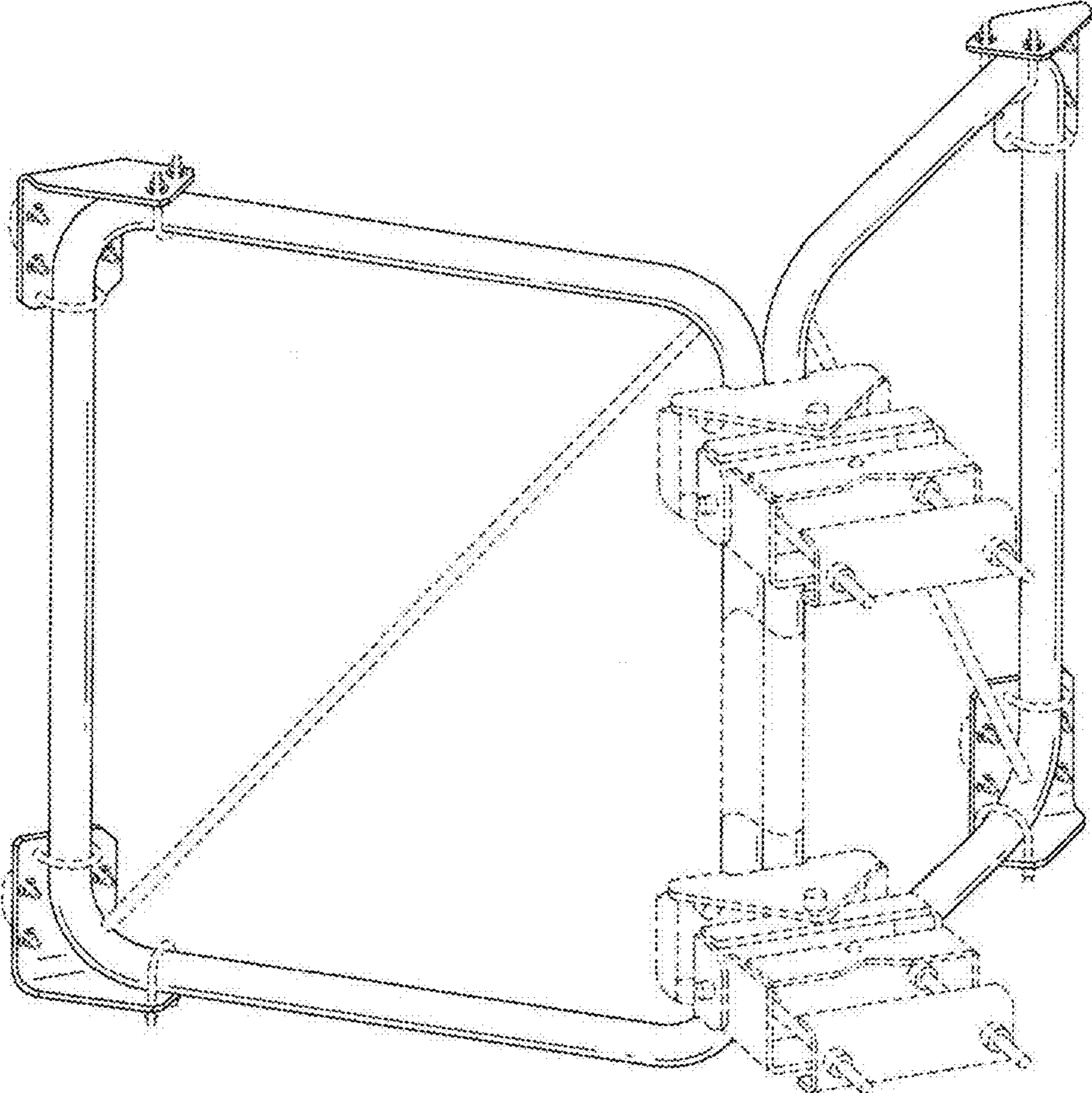


FIG.6

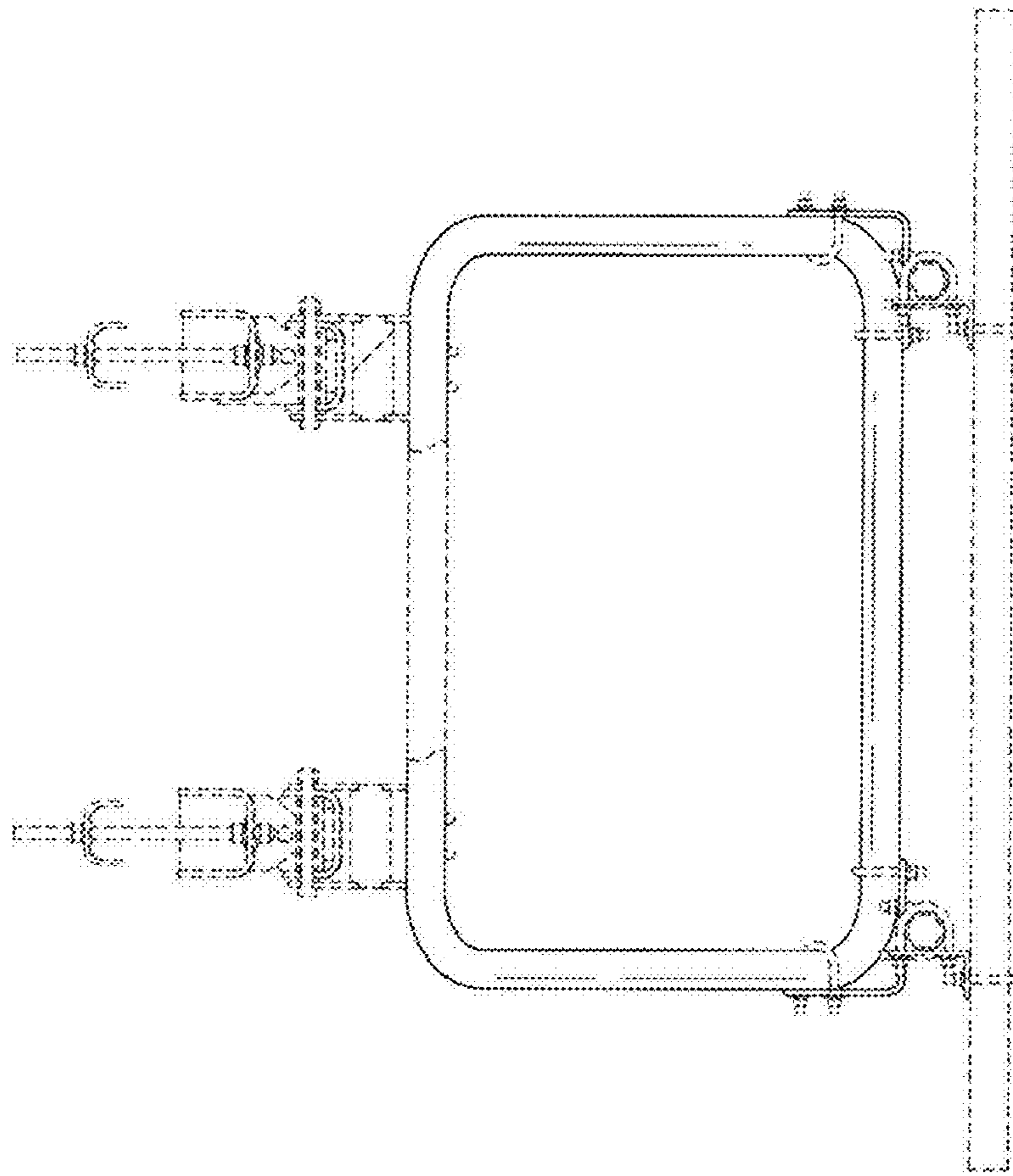


FIG.7

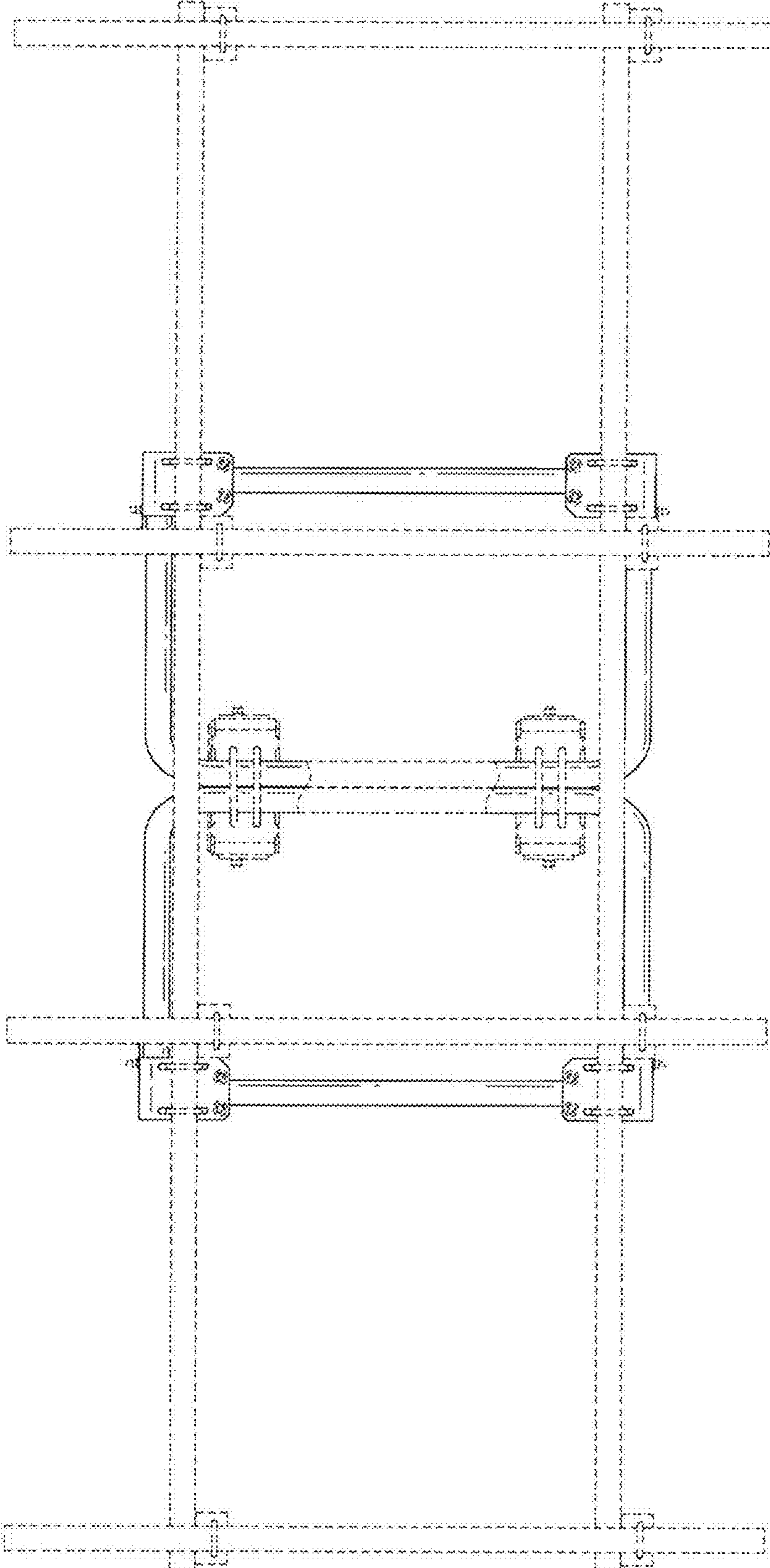


FIG.8

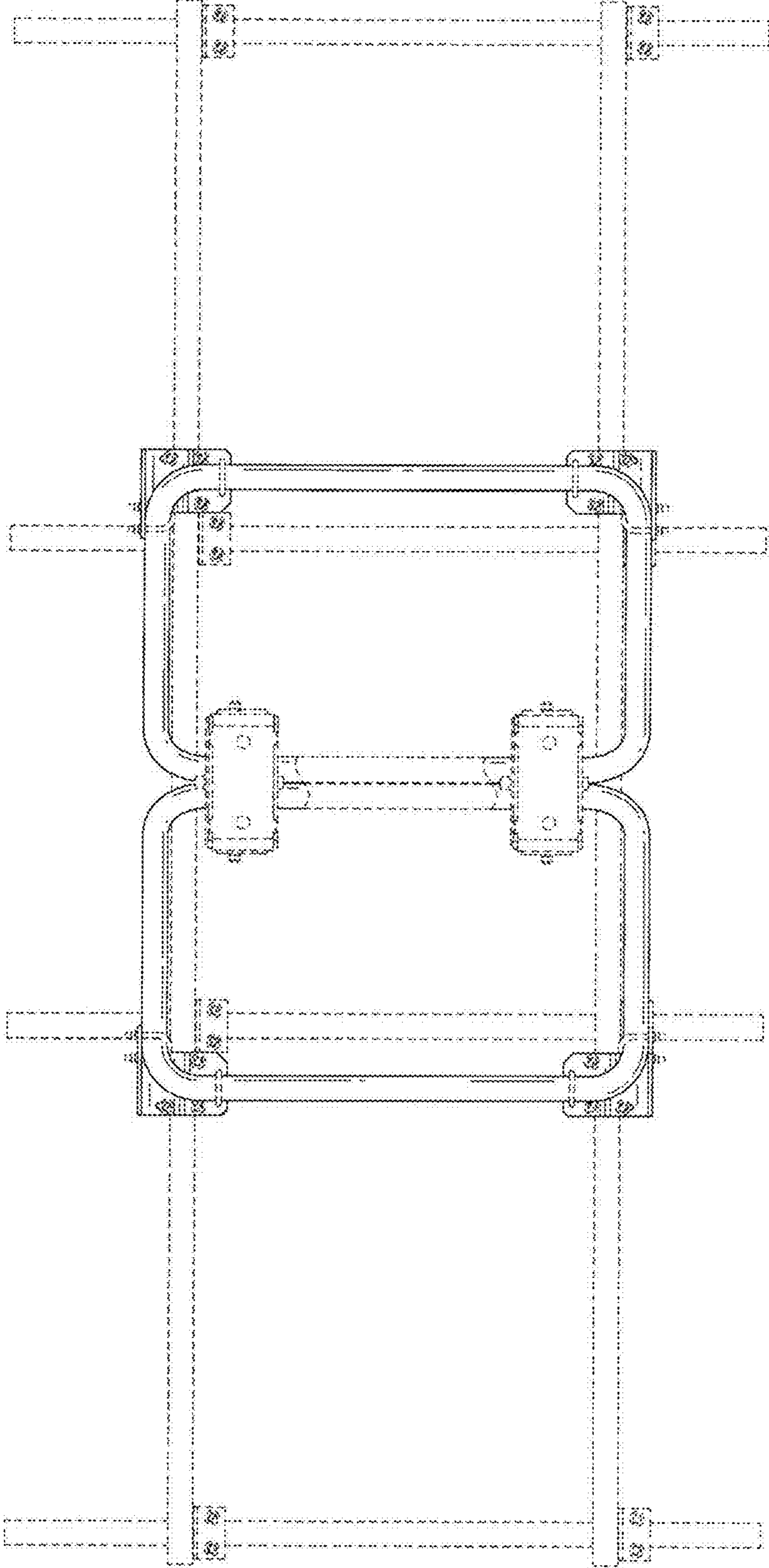


FIG.9

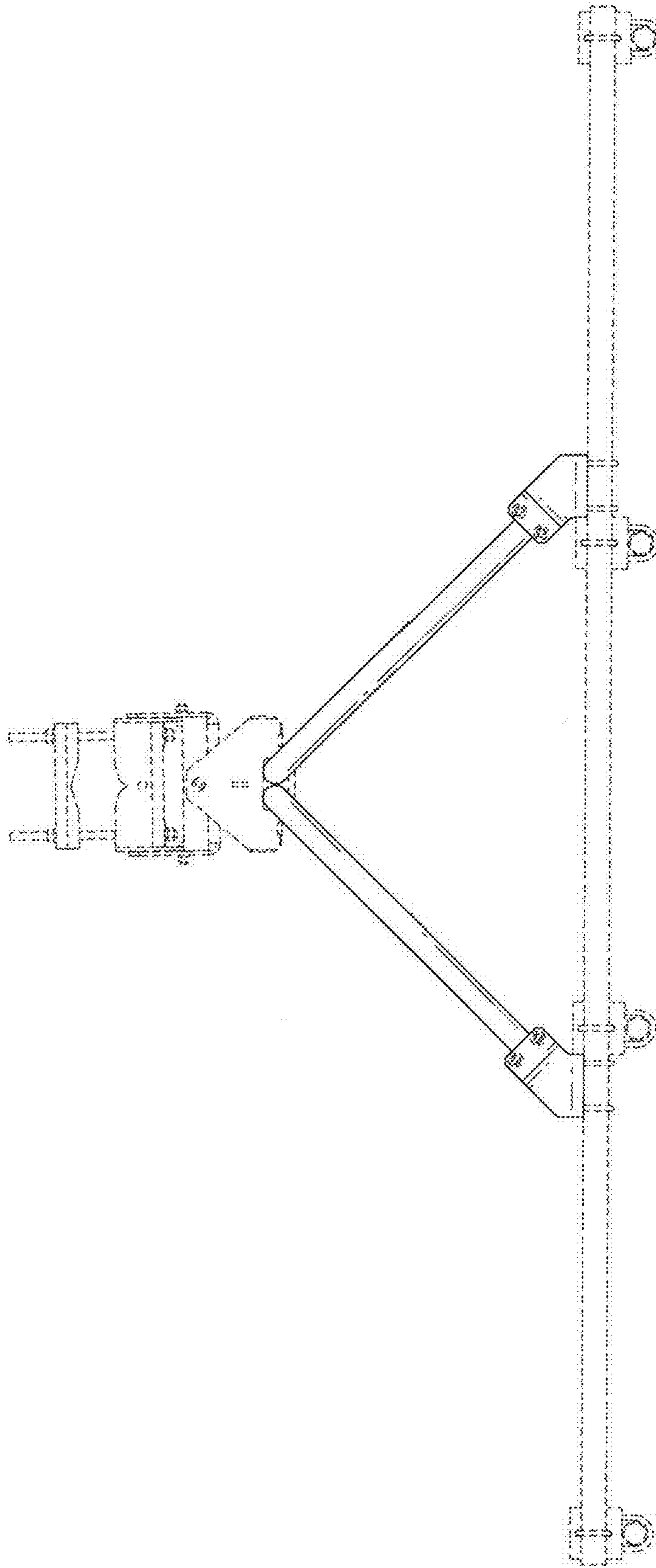


FIG.10

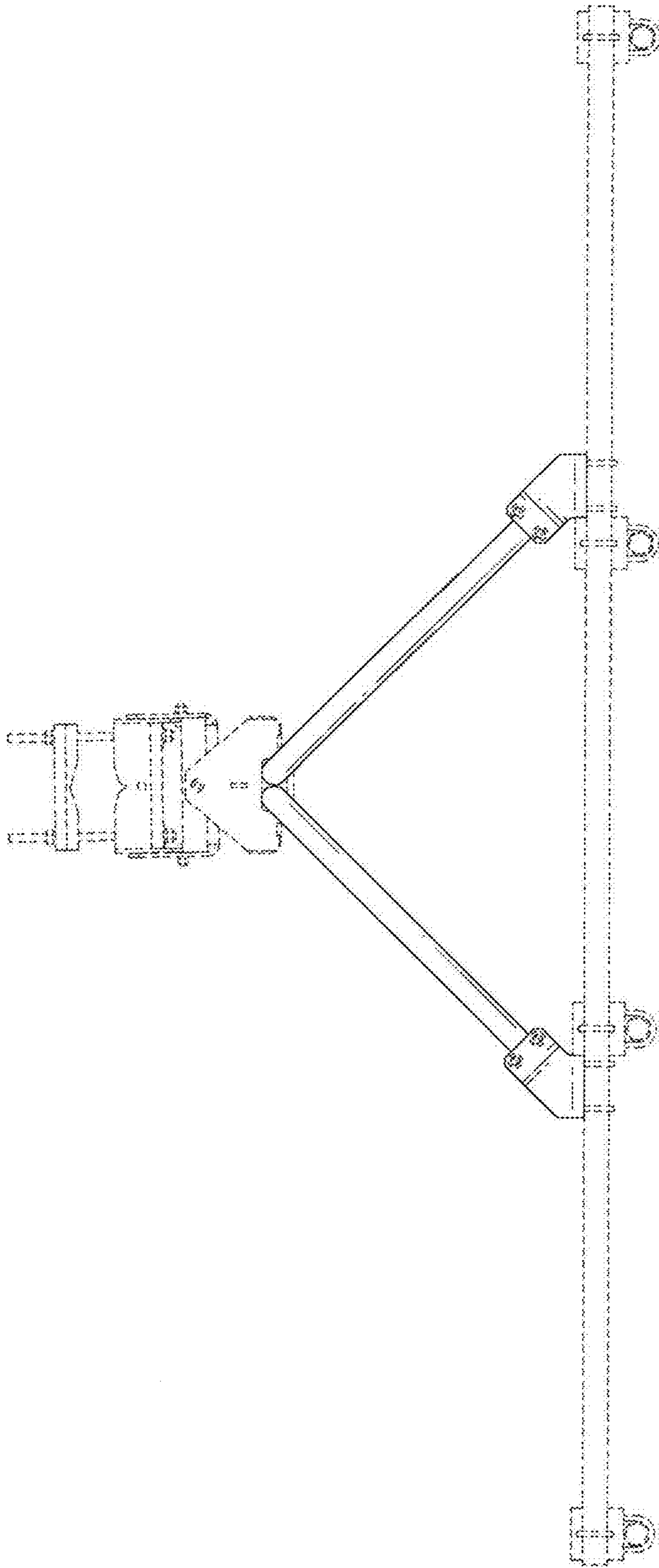


FIG.11