



US00D817309S

(12) **United States Design Patent**
Czaniecki et al.

(10) **Patent No.:** **US D817,309 S**

(45) **Date of Patent:** **** May 8, 2018**

- (54) **PAIR OF HEADPHONES**
- (71) Applicant: **AKG Acoustics GmbH**, Vienna (AT)
- (72) Inventors: **Rafal Czaniecki**, Shenzhen (CN);
Laurent Lindenberger, Shenzhen (CN)
- (73) Assignee: **AKG Acoustics GmbH**, Vienna (AT)
- (**) Term: **15 Years**
- (21) Appl. No.: **29/588,699**
- (22) Filed: **Dec. 22, 2016**
- (51) **LOC (11) Cl.** **14-01**
- (52) **U.S. Cl.**
USPC **D14/223; D14/205**
- (58) **Field of Classification Search**
USPC D14/223, 205; 181/129, 130, 135;
379/430, 431; 381/380, 381, 375, 374,
381/74; 455/90.3, 575.1, 569.1;
D24/174; 128/864, 865, 866
CPC H04R 1/10; H04R 25/00; H04R 1/1066;
H04R 1/1016; H04R 5/033; H04R 5/0335
See application file for complete search history.

(56) **References Cited**

U.S. PATENT DOCUMENTS

- 1,312,493 A * 8/1919 Theis A61F 11/14
128/866
- 1,624,144 A * 4/1927 Mathieu H04R 1/1016
181/129
- 1,668,890 A * 5/1928 Curran H04R 1/1016
181/130
- 1,668,910 A * 5/1928 Jones H04R 1/1016
181/130
- 2,377,739 A * 6/1945 Wyckoff A61F 11/008
181/132
- 2,595,672 A * 5/1952 Greenwood H04R 25/65
24/113 MP
- 2,754,365 A * 7/1956 Walters H04R 1/225
181/132

- 2,805,332 A * 9/1957 Bell H04B 1/088
329/370
- 2,910,679 A * 10/1959 Baldwin B60K 28/06
200/61.47
- 2,971,065 A * 2/1961 Busse H04R 25/456
381/104

(Continued)

Primary Examiner — Paula Allen Greene

(74) *Attorney, Agent, or Firm* — Plumsea Law Group, LLC

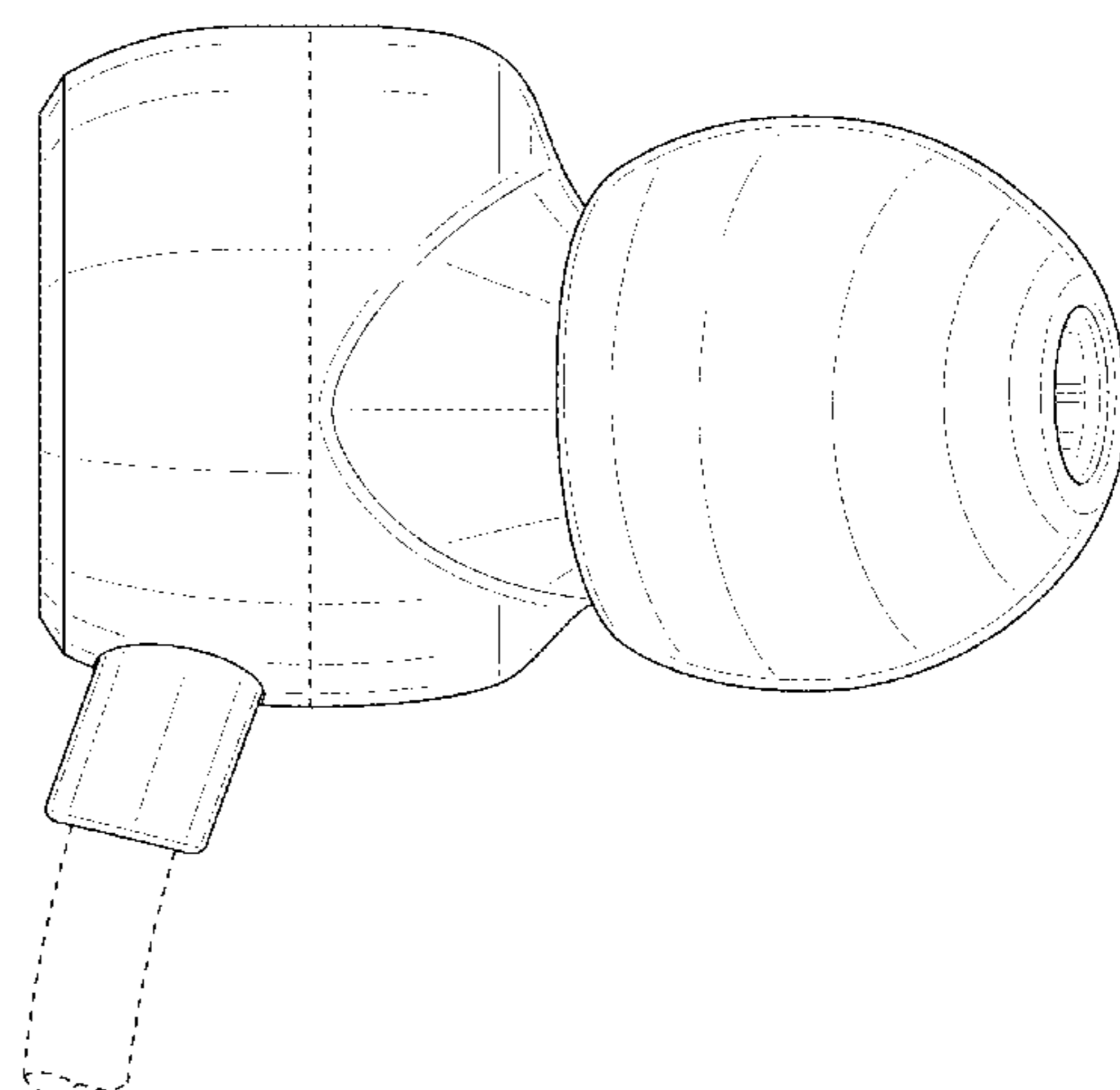
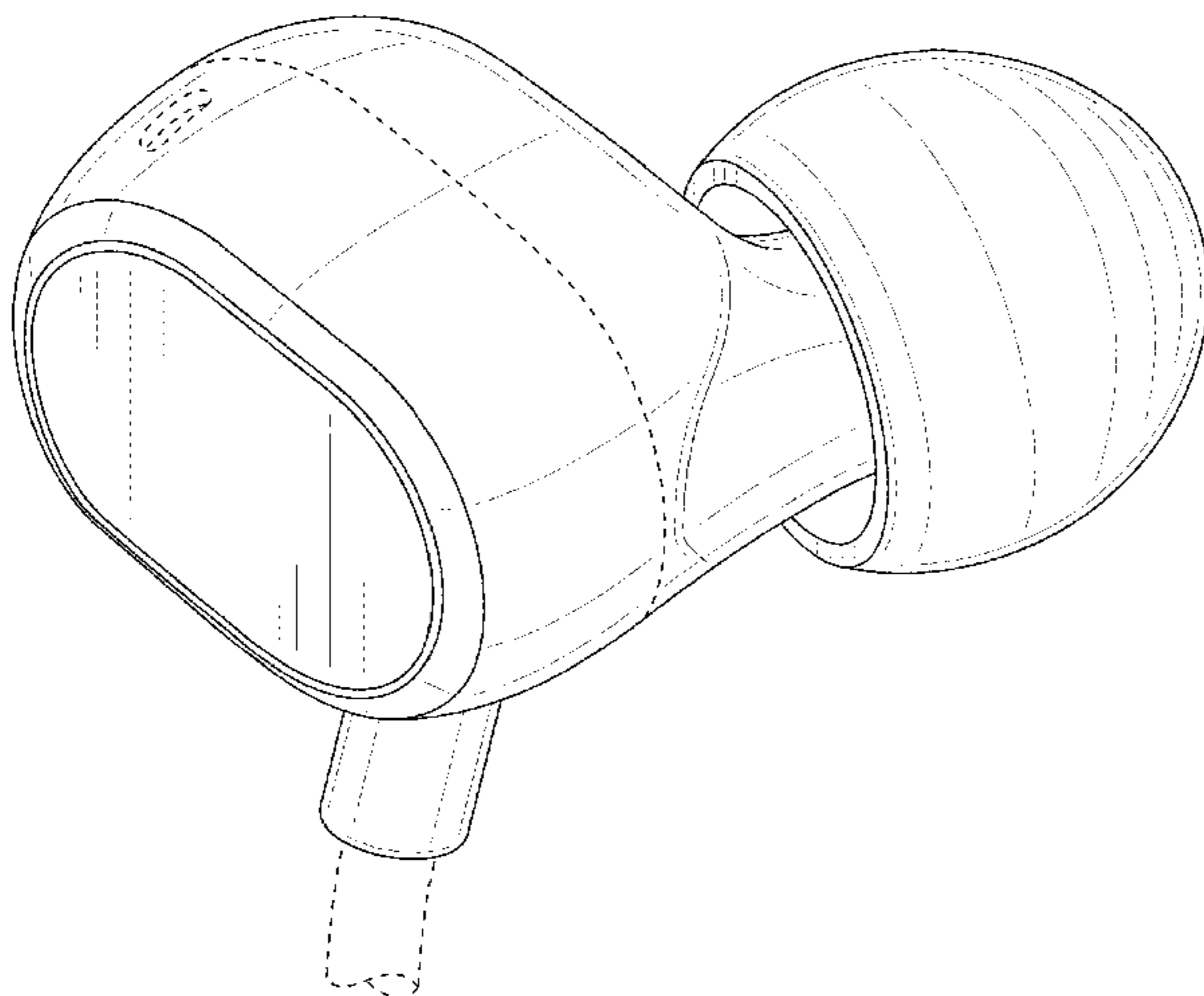
(57) **CLAIM**

The ornamental design for a pair of headphones, as shown and described.

DESCRIPTION

FIG. 1 is a perspective view of a first headphone of a pair of headphones showing the new design; FIG. 2 is a front elevational view thereof; FIG. 3 is a rear elevational view thereof; FIG. 4 is a side elevational view of one side thereof; FIG. 5 is a side elevational view of the opposite side thereof; FIG. 6 is a top plan view thereof; FIG. 7 is a bottom plan view thereof; FIG. 8 is a perspective view of a second, opposite-handed headphone of the pair of headphones showing our new design; FIG. 9 is a front elevational view thereof; FIG. 10 is a rear elevational view thereof; FIG. 11 is a side elevational view of one side thereof; FIG. 12 is a side elevational view of the opposite side thereof; FIG. 13 is a top plan view thereof; and, FIG. 14 is a bottom plan view thereof. The broken lines immediately adjacent the shaded areas represent the bounds of the claimed design, while all other broken lines are directed to environment and are for illustrative purposes only; the broken lines form no part of the claimed design.

1 Claim, 14 Drawing Sheets



(56)

References Cited

U.S. PATENT DOCUMENTS

3,234,467 A * 2/1966 Haveson H01Q 1/24
334/76
3,324,253 A * 6/1967 Uemura H04R 11/06
381/189
3,440,365 A * 4/1969 Hazell H04M 1/05
379/430
3,457,375 A * 7/1969 Haggerty H04R 25/456
381/322
D215,675 S * 10/1969 Yran D13/114
3,730,181 A * 5/1973 Fling A61F 11/08
128/868
3,821,647 A * 6/1974 Minasian H03D 1/10
381/380
D236,988 S * 9/1975 Walters D14/223
4,069,400 A * 1/1978 Johanson H04R 25/60
381/322
4,457,396 A * 7/1984 James H04R 1/345
181/129
4,539,708 A * 9/1985 Norris H04B 1/088
455/100
4,585,089 A * 4/1986 Topholm H04R 25/65
181/130
D287,764 S * 1/1987 Topholm D24/174
D287,765 S * 1/1987 Topholm D24/174
D295,173 S * 4/1988 Oren D14/168
5,054,079 A * 10/1991 Frielingsdorf H04R 1/46
379/430
D321,881 S * 11/1991 Hopewell D14/192
D348,066 S * 6/1994 Lucey D14/205
D417,465 S * 12/1999 Kreitz D14/192
6,122,388 A * 9/2000 Feldman H04R 25/604
381/322
D477,593 S * 7/2003 Komiyama D14/223
D477,822 S * 7/2003 Komiyama D14/223
D481,709 S * 11/2003 Solderits D14/223
D505,411 S * 5/2005 Sakai D14/192
D519,108 S * 4/2006 Yang D14/223

7,120,267 B2 * 10/2006 Ito H04M 1/05
381/370
D588,111 S * 3/2009 Komiyama D14/223
D603,380 S * 11/2009 Hutchieson D14/223
D637,997 S * 5/2011 Peller D14/205
D637,999 S * 5/2011 Brunner D14/205
D641,010 S * 7/2011 Kwon D14/223
D652,817 S * 1/2012 Lee D14/205
D652,822 S * 1/2012 Lee D14/223
D654,056 S * 2/2012 Hoggarth D14/205
D666,581 S * 9/2012 Perez D14/223
8,275,166 B2 * 9/2012 Wu H04R 25/00
381/328
D685,764 S * 7/2013 Coulter D14/205
D699,226 S * 2/2014 Yoon D14/206
8,776,801 B2 * 7/2014 McIntosh A61F 11/08
128/864
D711,356 S * 8/2014 Yang D14/223
D719,550 S * 12/2014 Yang D14/223
D725,082 S * 3/2015 Palmborg D14/223
8,983,108 B2 * 3/2015 Ho H04R 1/1016
181/135
D726,145 S * 4/2015 Hsieh D14/205
D727,871 S * 4/2015 Orbach D14/205
D733,102 S * 6/2015 Palmborg D14/223
D735,169 S * 7/2015 Shieh D14/223
9,087,506 B1 * 7/2015 Kraft G10L 21/0232
9,131,308 B2 * 9/2015 Kraft G10L 21/0232
D742,861 S * 11/2015 Miyake D14/223
D764,445 S * 8/2016 Czaniecki D14/223
D773,032 S * 11/2016 Palmborg D24/106
D777,710 S * 1/2017 Palmborg D14/223
9,565,491 B2 * 2/2017 Baker H04R 1/1083
D781,269 S * 3/2017 Choe D14/223
D782,997 S * 4/2017 Shin D14/205
D782,998 S * 4/2017 Shin D14/205
D798,843 S * 10/2017 Valenzuela D14/223
2007/0263896 A1 * 11/2007 Chen H04R 1/105
381/381

* cited by examiner

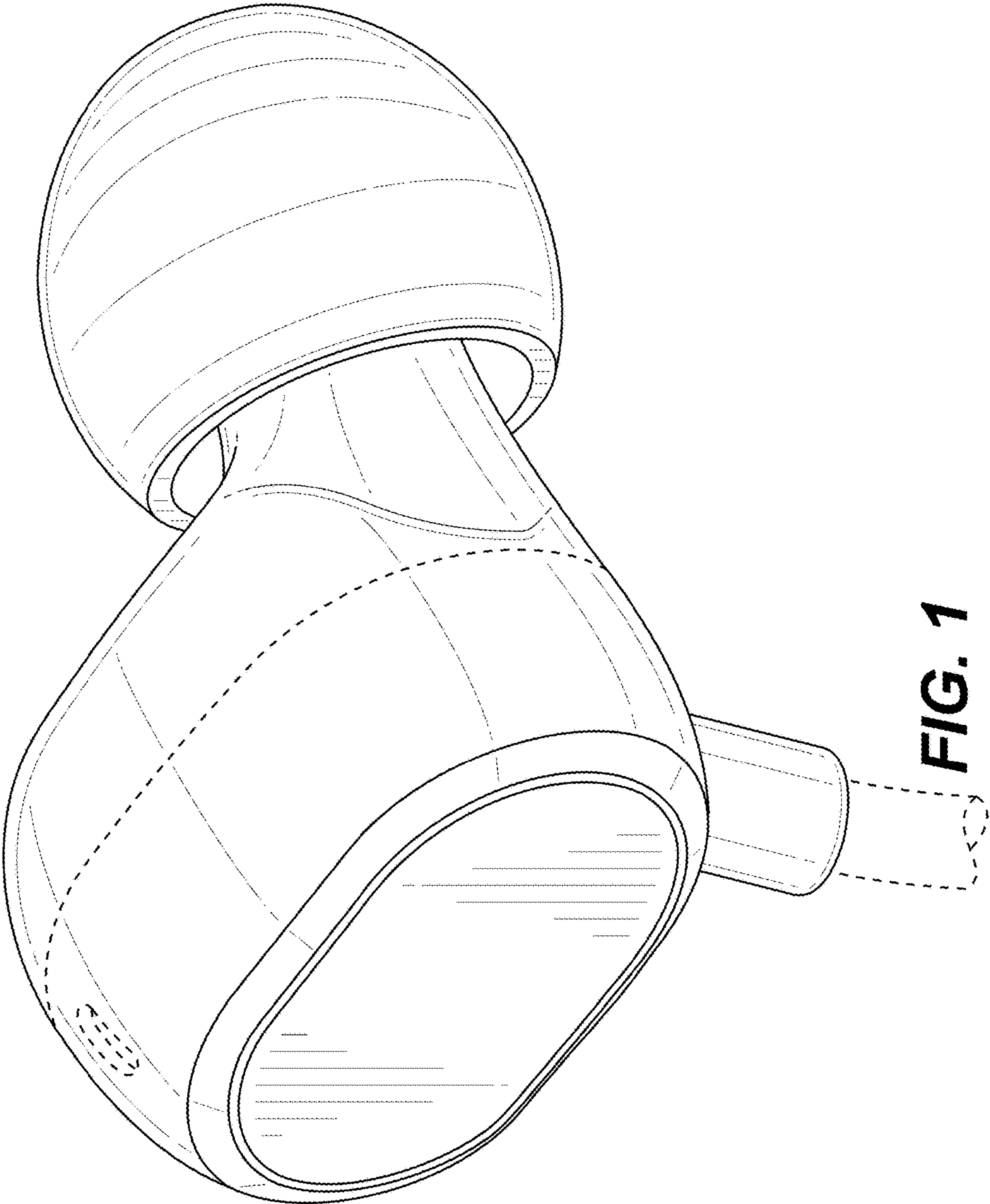


FIG. 1

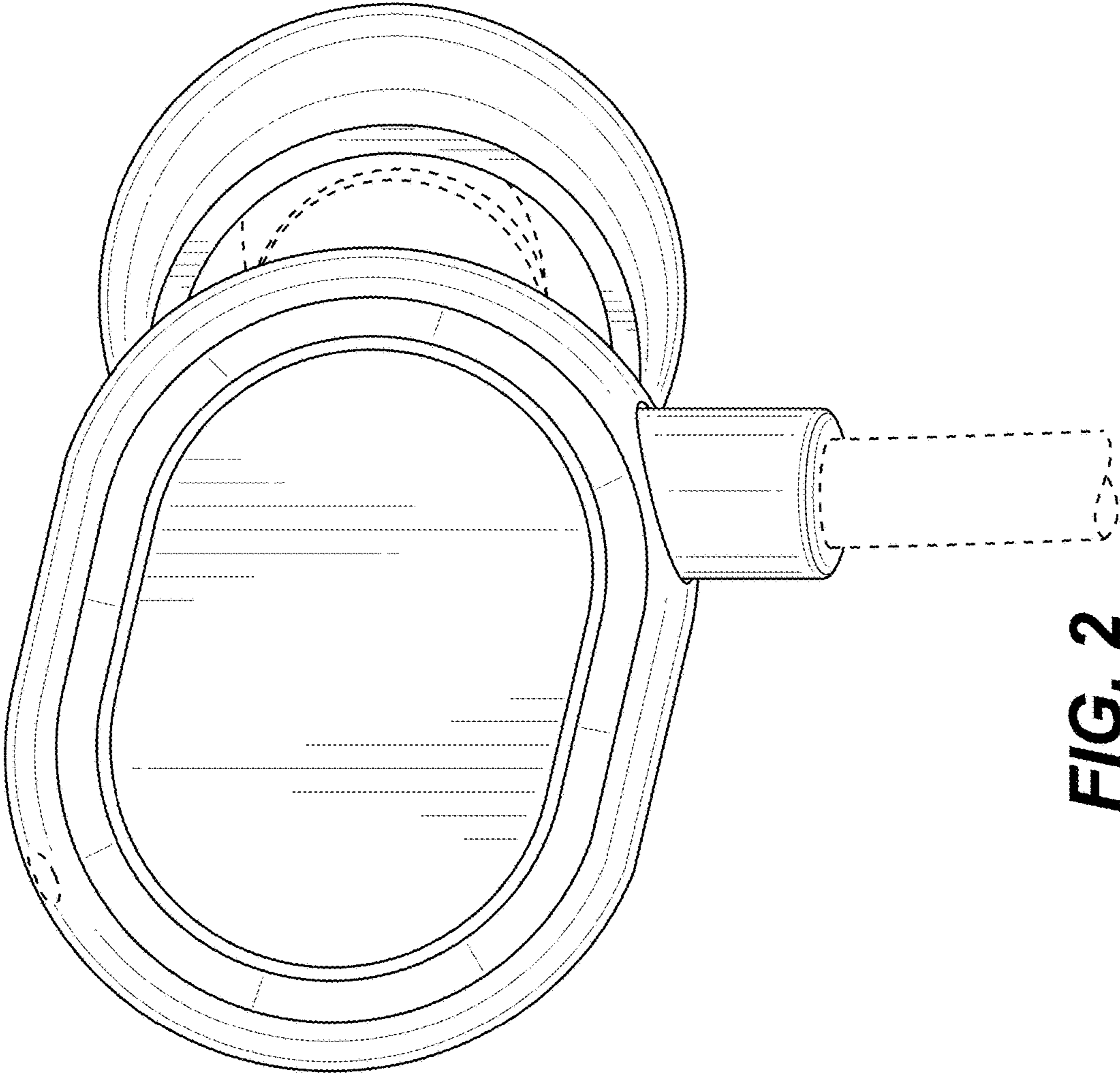


FIG. 2

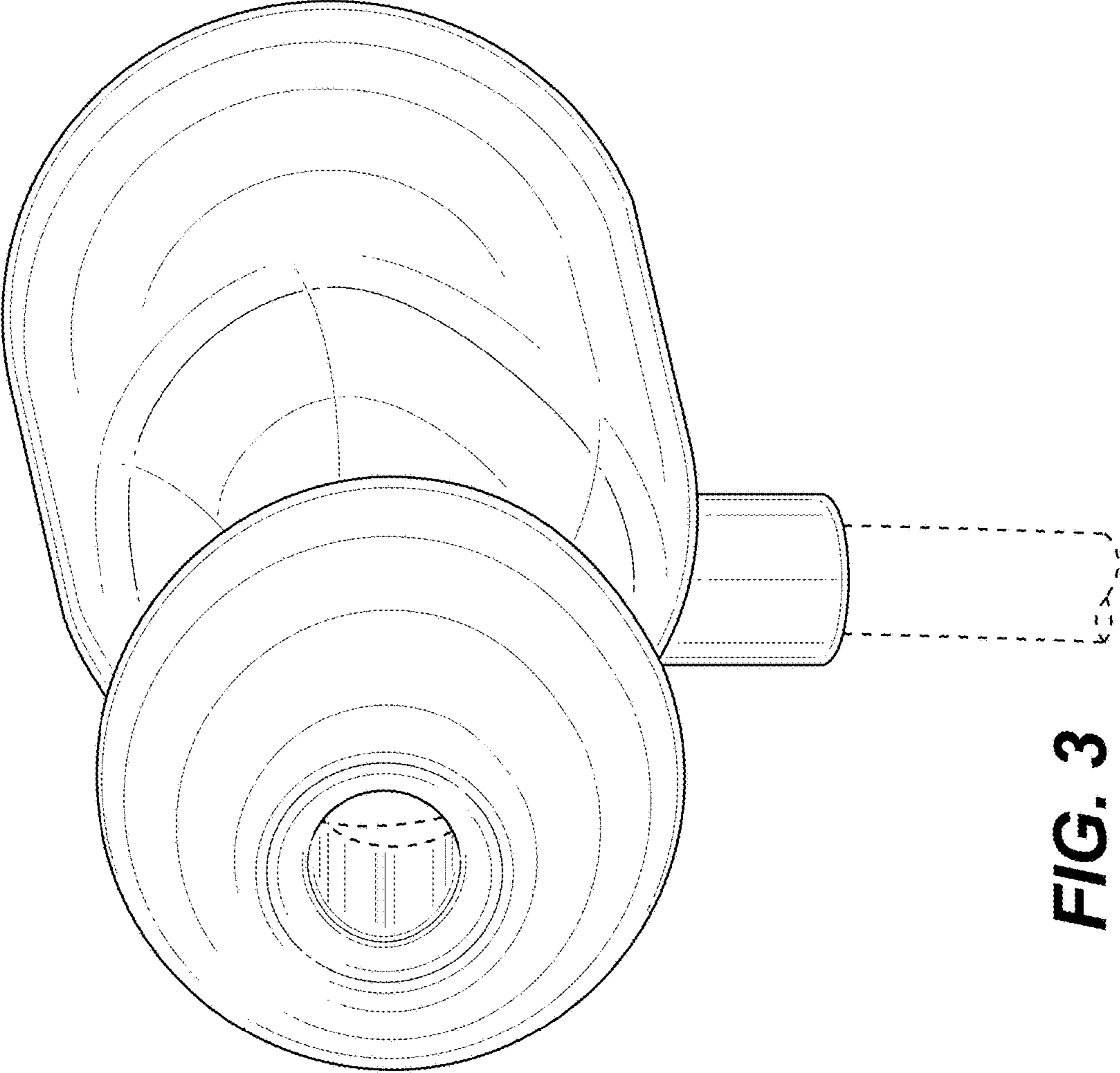


FIG. 3

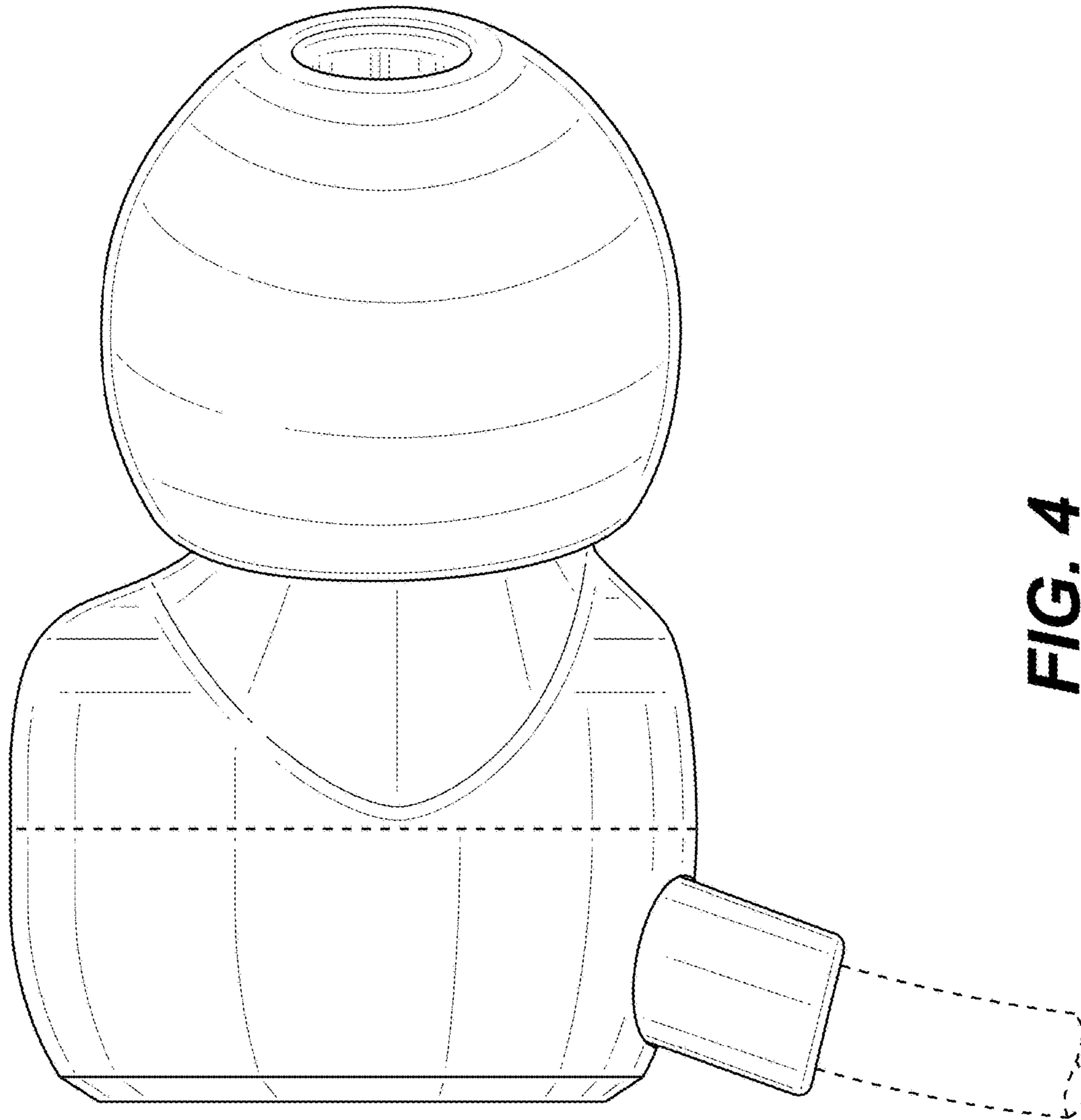


FIG. 4

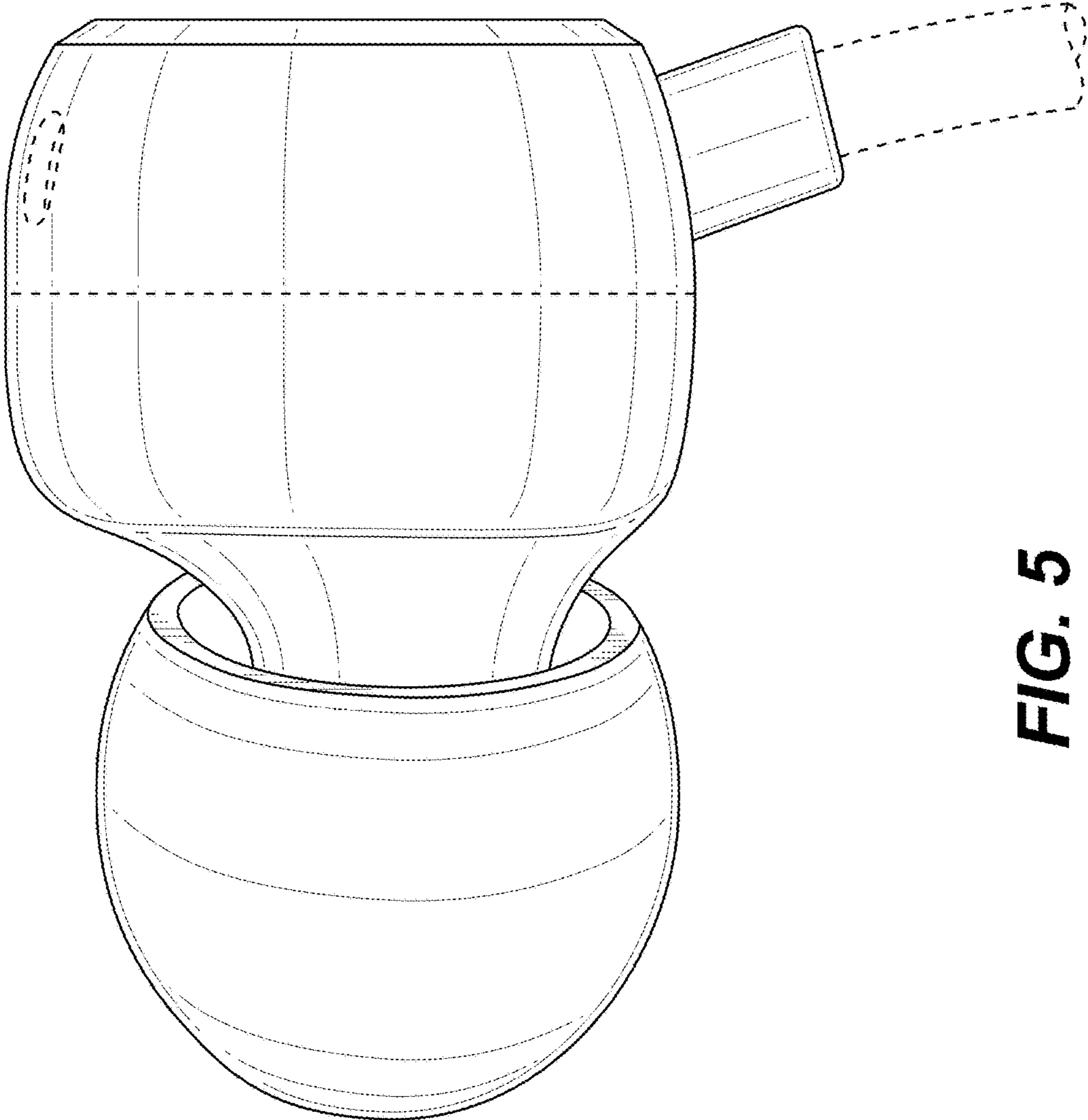


FIG. 5

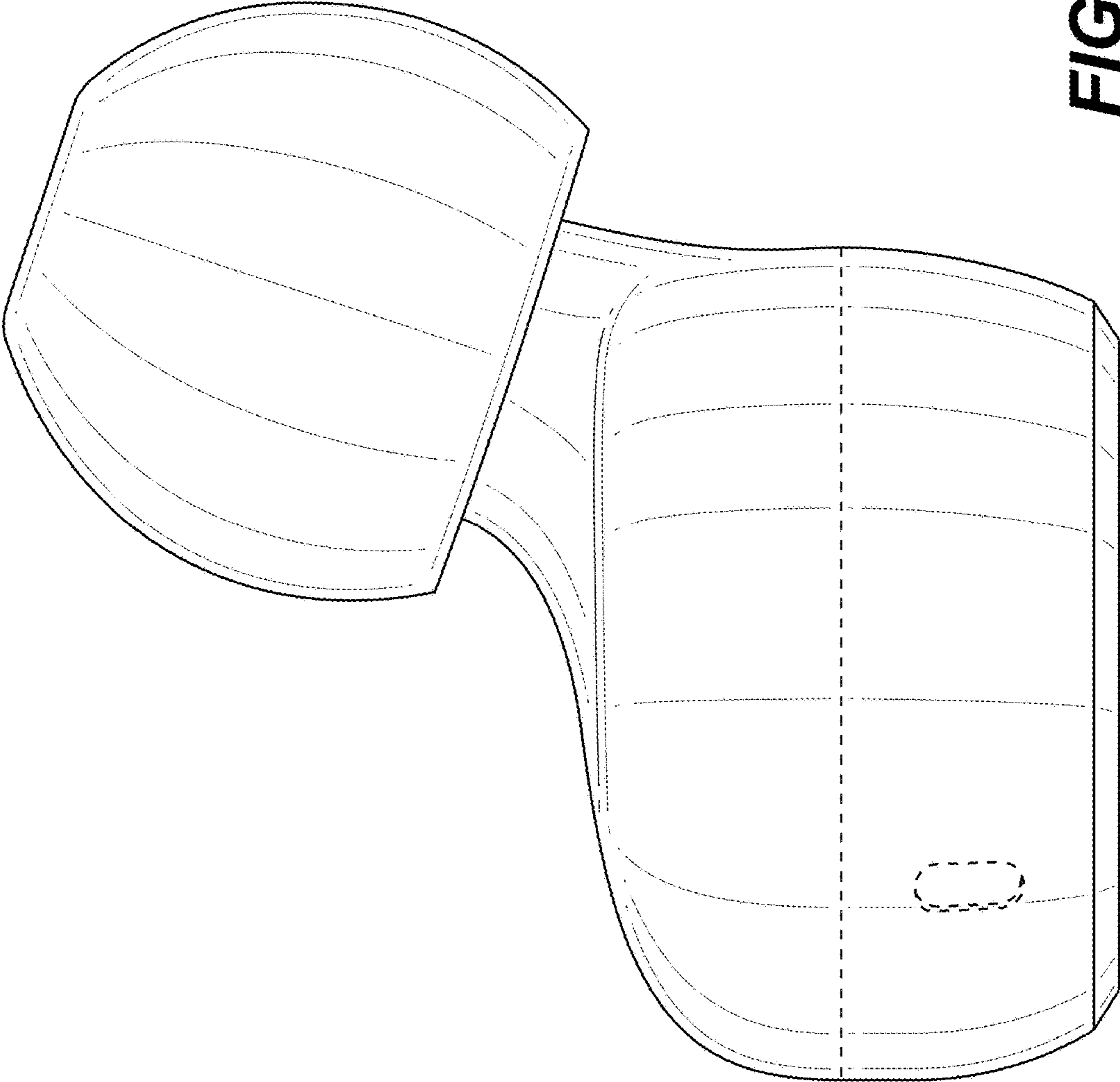


FIG. 6

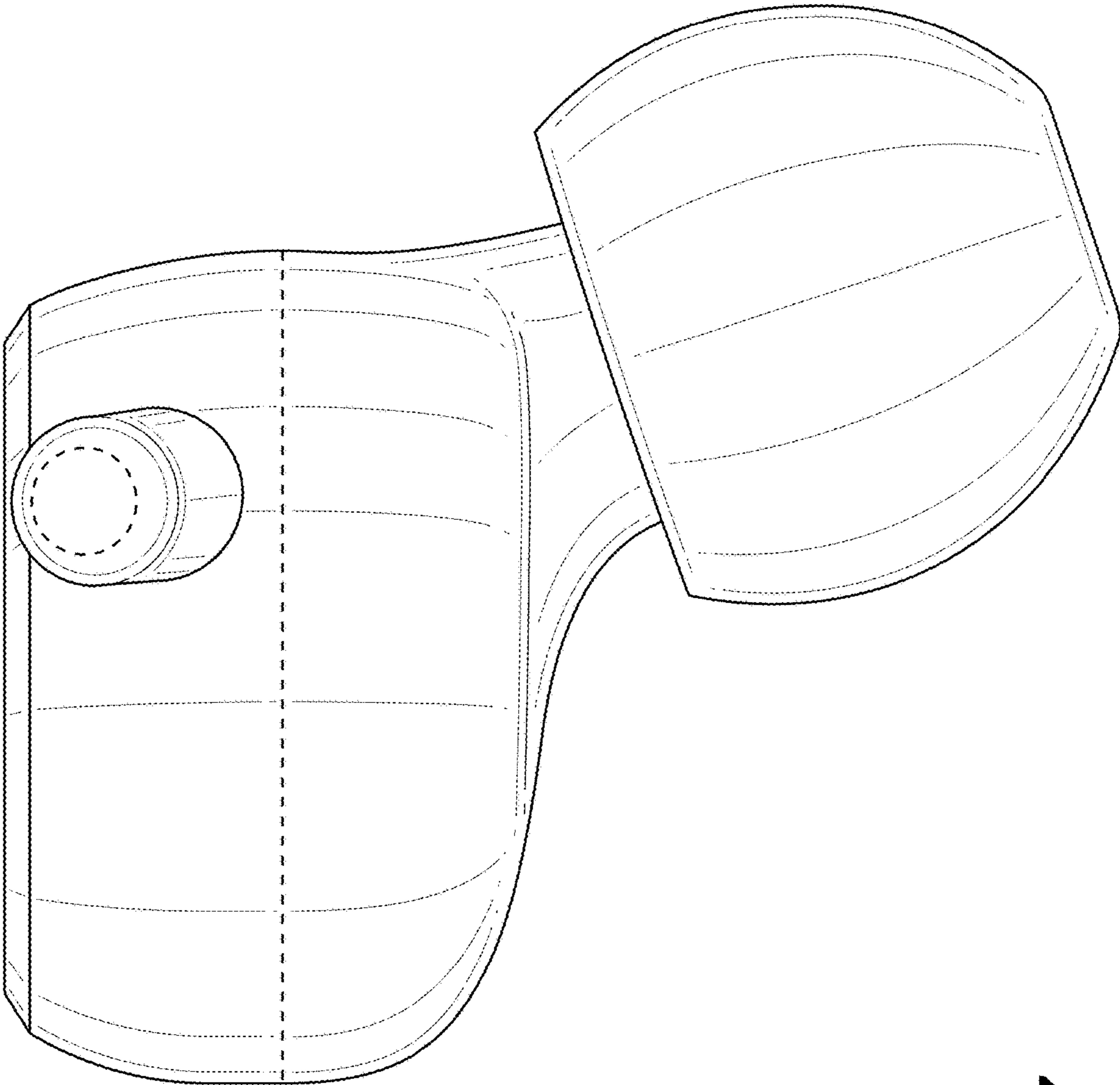


FIG. 7

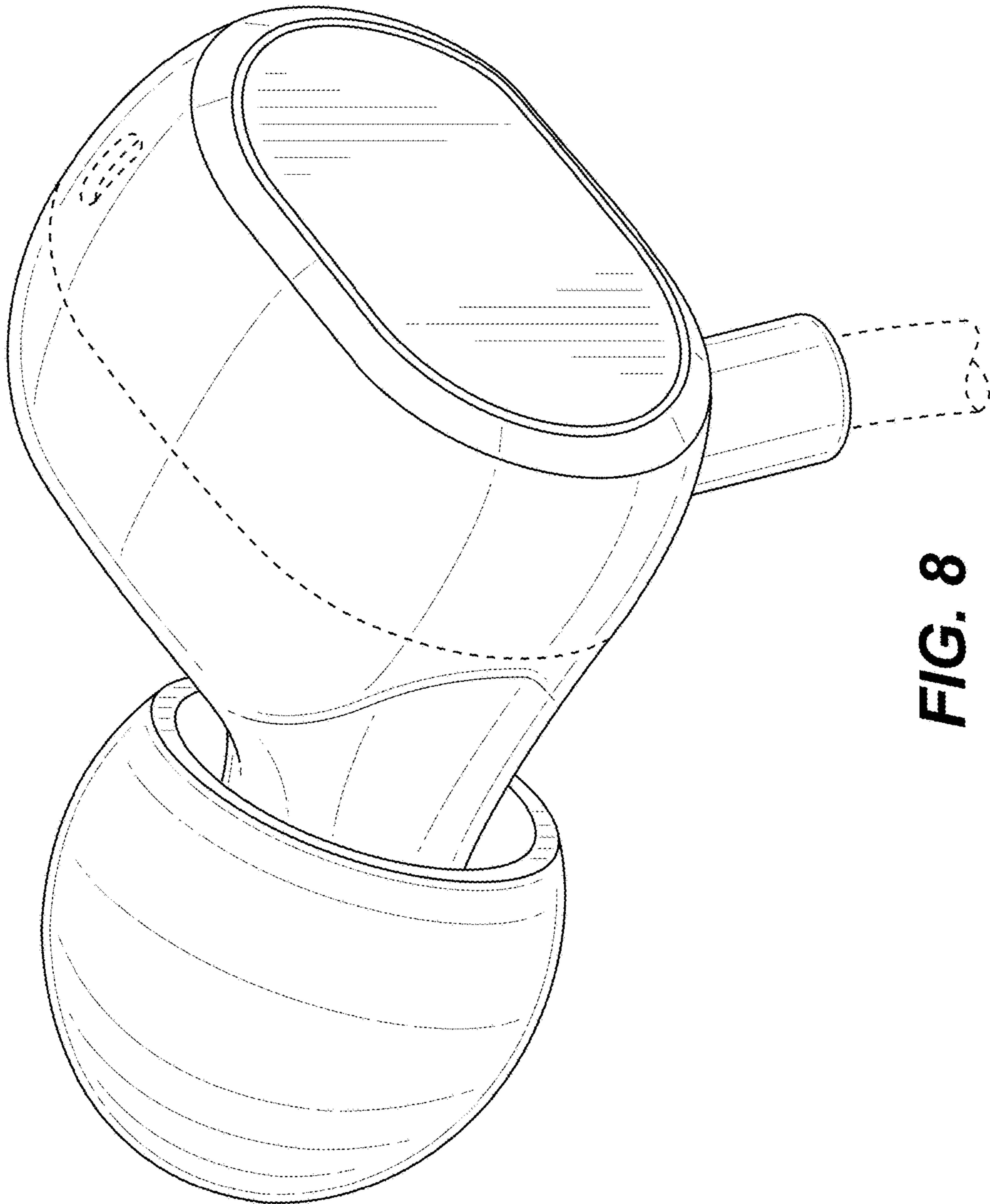


FIG. 8

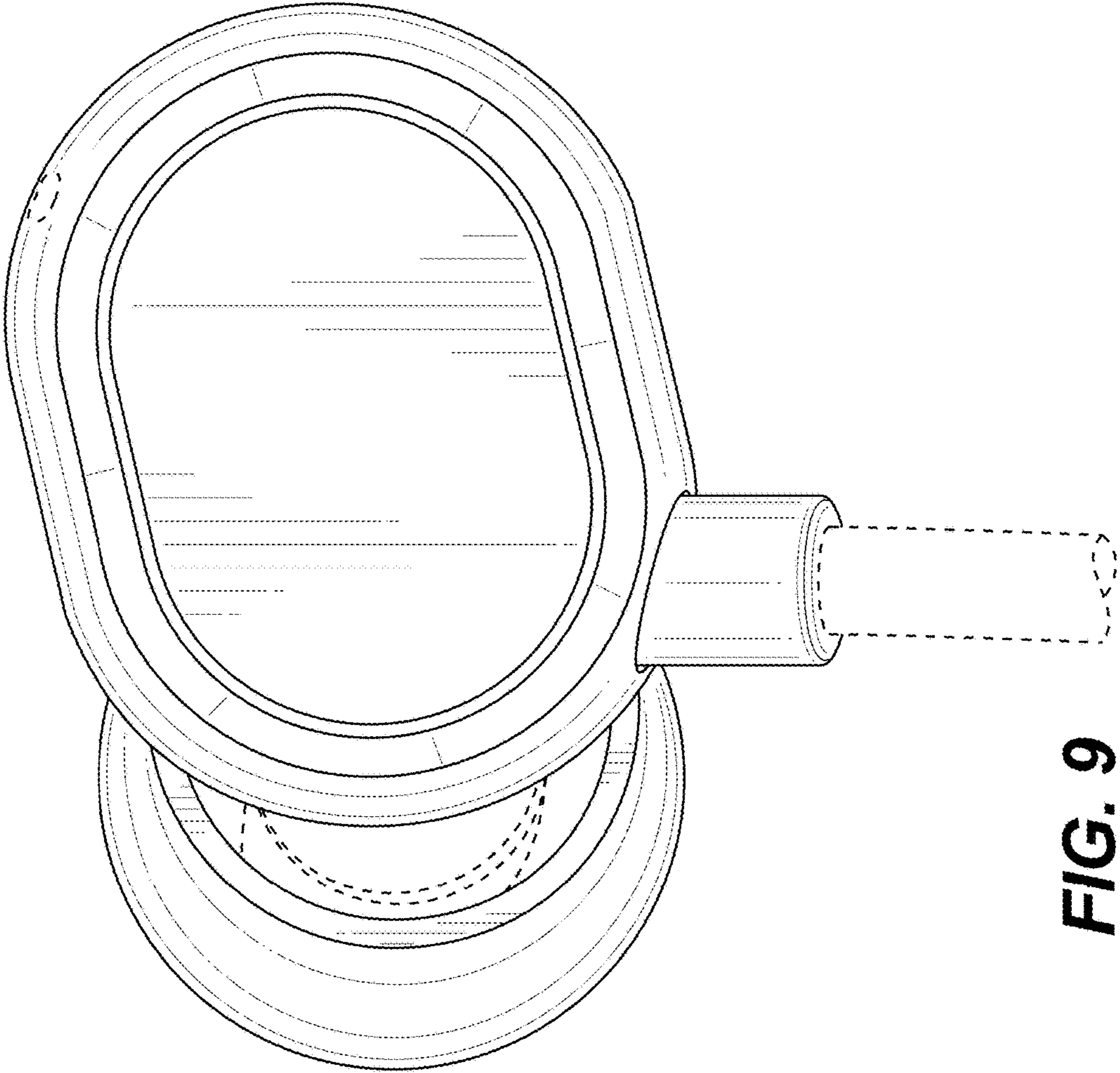


FIG. 9

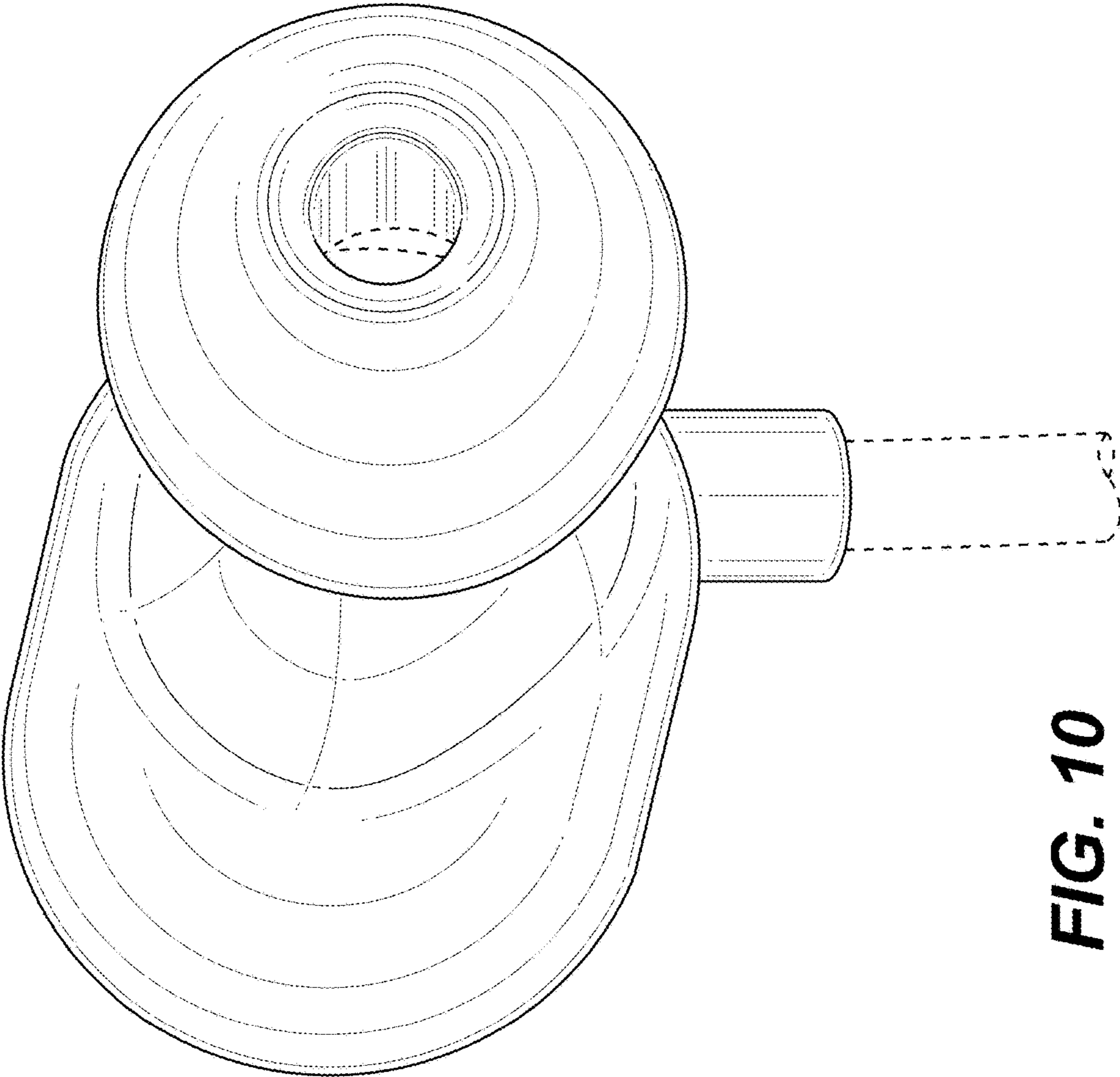


FIG. 10

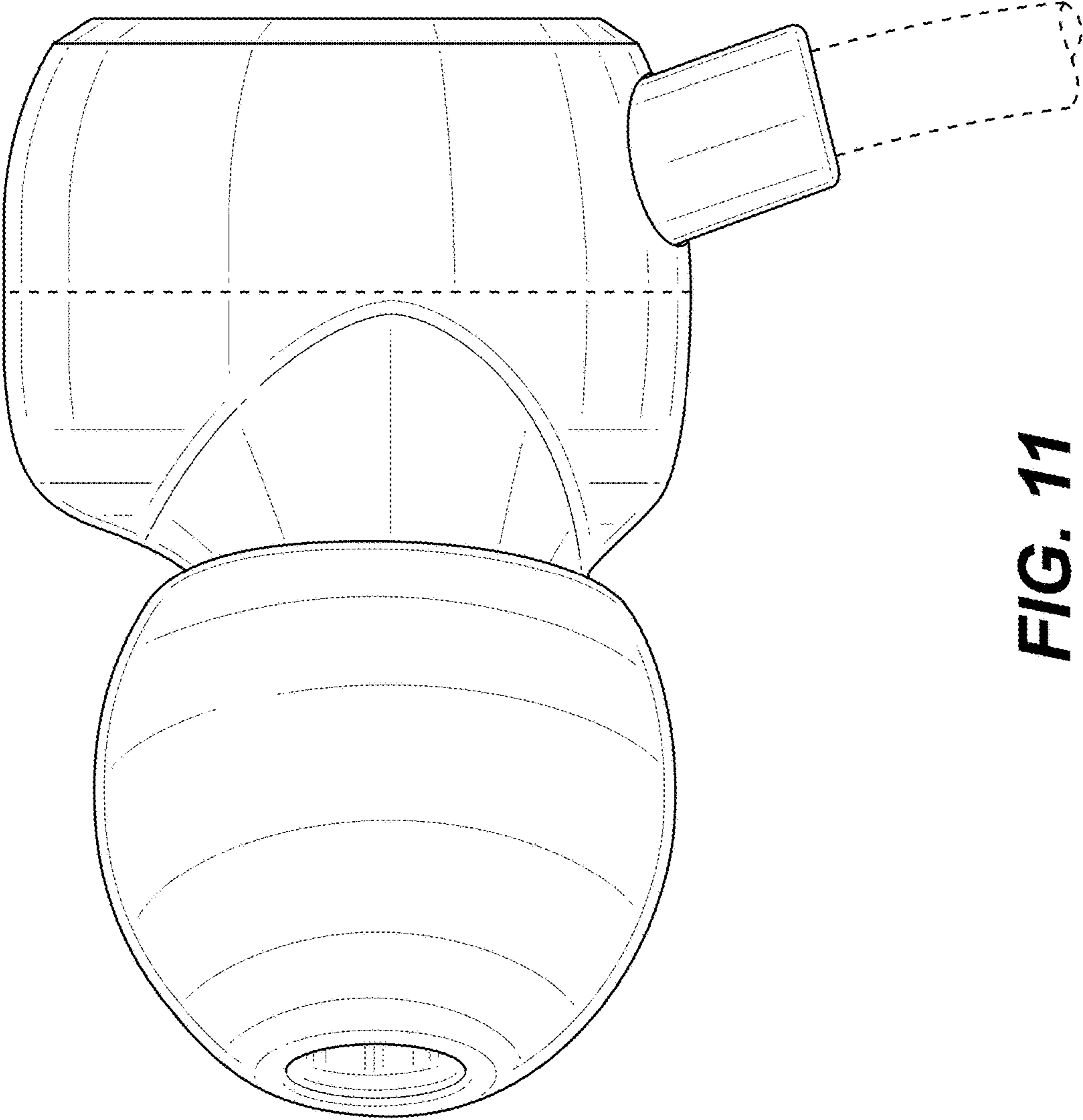


FIG. 11

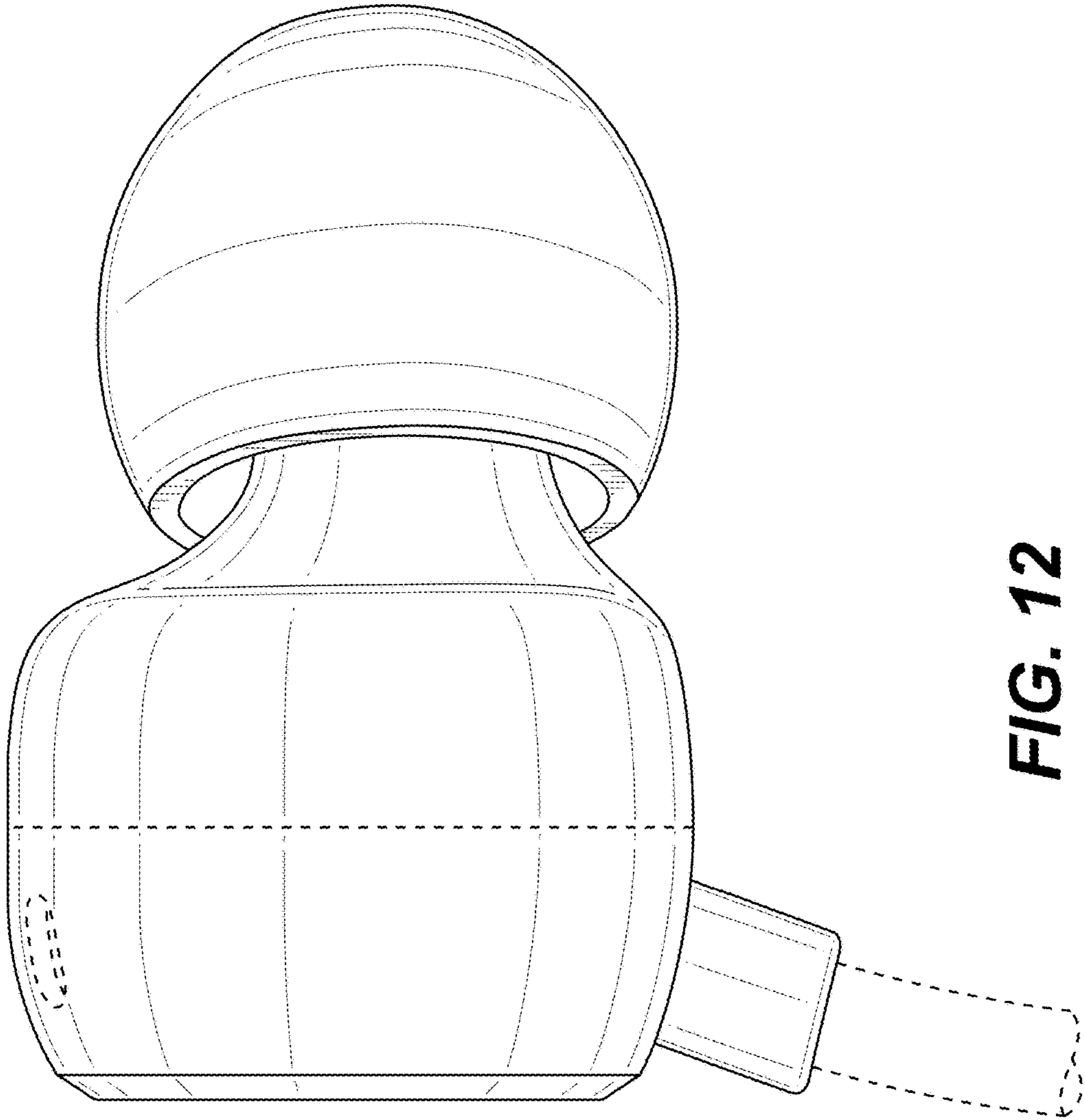


FIG. 12

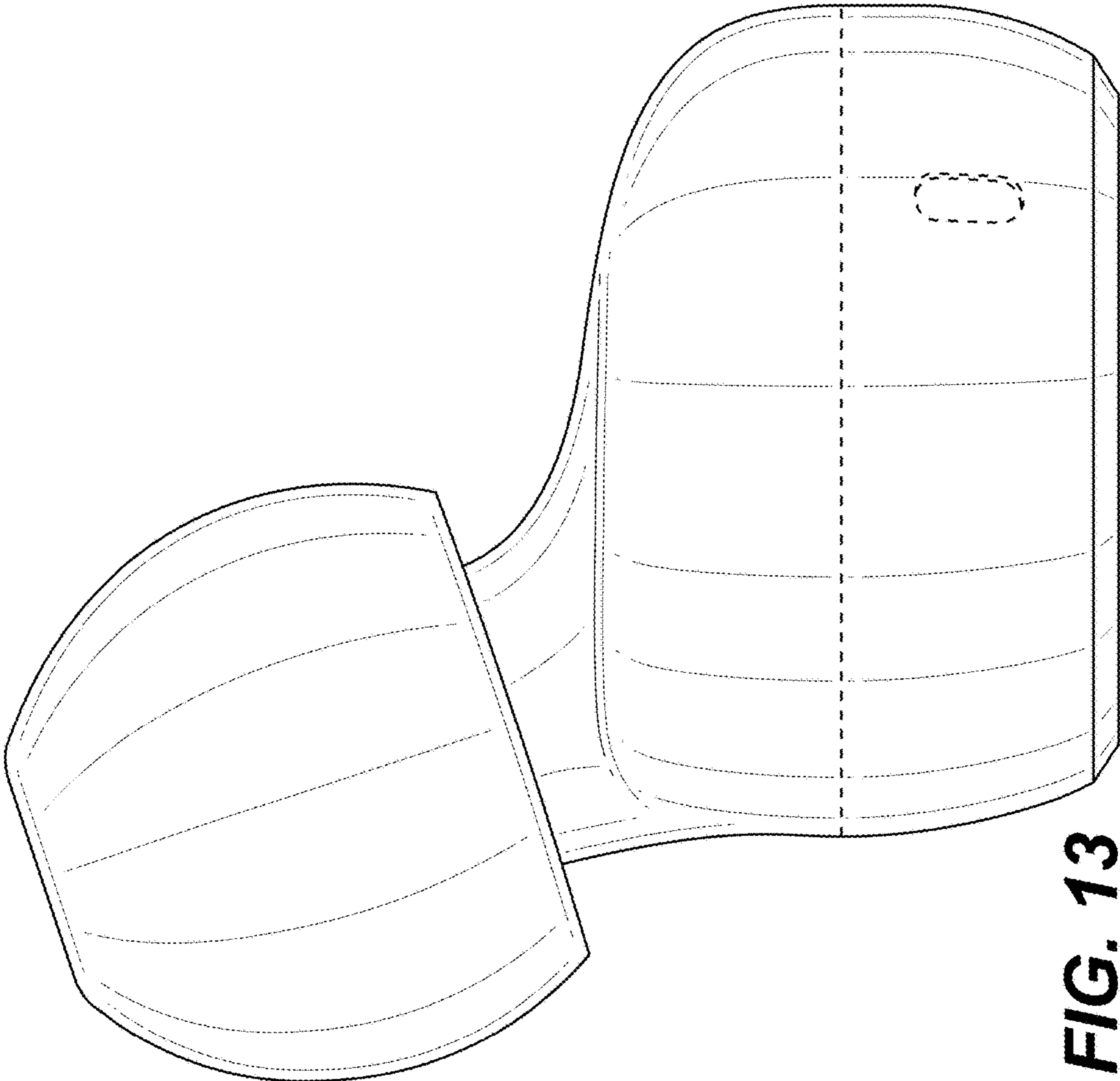


FIG. 13

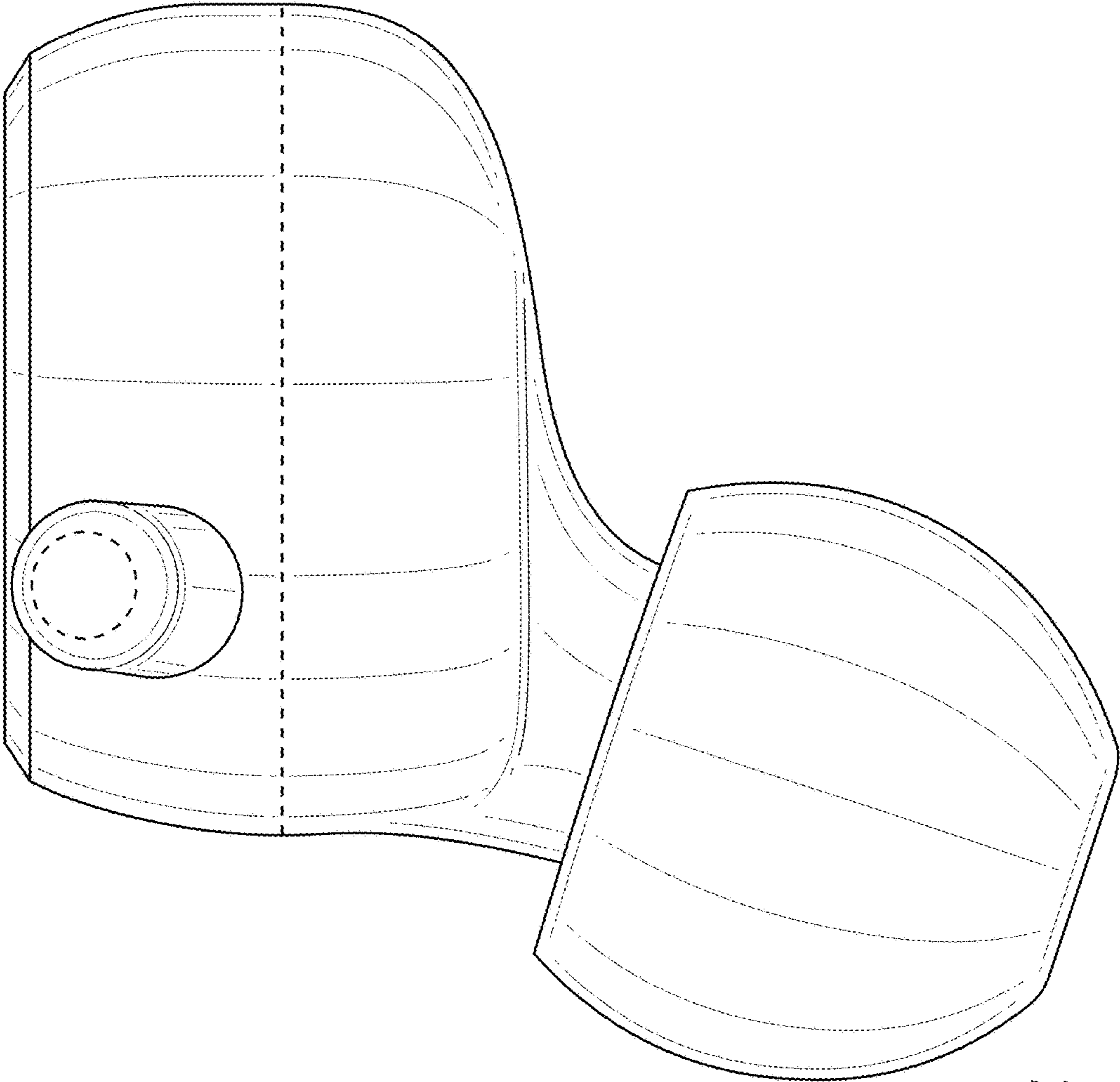


FIG. 14