



US00D817308S

(12) **United States Design Patent** (10) **Patent No.:** **US D817,308 S**  
**Sugiura** (45) **Date of Patent:** **\*\* May 8, 2018**

(54) **SPEAKER**  
(71) Applicant: **YAMAHA CORPORATION**,  
Hamamatsu-shi, Shizuoka (JP)  
(72) Inventor: **Yoshihisa Sugiura**, Buena Park, CA  
(US)  
(73) Assignee: **YAMAHA CORPORATION**,  
Hamamatsu-shi, Shizuoka (JP)  
(\*\*) Term: **15 Years**  
(21) Appl. No.: **29/604,229**  
(22) Filed: **May 16, 2017**  
(51) **LOC (11) Cl.** ..... **14-01**  
(52) **U.S. Cl.**  
USPC ..... **D14/214**  
(58) **Field of Classification Search**  
USPC ..... D14/168, 188, 194, 195, 196, 204, 210,  
D14/211, 212, 213, 214, 215, 216  
CPC ..... B60R 11/0217; G06F 1/1688; G10K 9/22;  
G10K 11/004; H03F 1/327; H04M 1/03;  
H04M 1/035; H04N 5/642; H04N  
21/4852; H04S 3/00; H04S 7/30; H04R  
1/02; H04R 1/06; H04R 1/021; H04R  
1/025; H04R 1/026; H04R 1/028; H04R  
1/105; H04R 1/323; H04R 1/403; H04R  
1/2803; H04R 1/2834; H04R 5/02; H04R  
7/20; H04R 9/06; H04R 9/025; H04R  
2201/021; H04R 2400/00; H04R 2400/07;  
H04R 2499/11; H04R 2499/13; H04R  
2499/15  
See application file for complete search history.

(56) **References Cited**  
U.S. PATENT DOCUMENTS  
D277,415 S \* 1/1985 Berger ..... D26/46  
D357,009 S \* 4/1995 Rossman ..... D14/461  
D383,732 S \* 9/1997 Haley ..... D14/435  
D612,329 S \* 3/2010 Guccione ..... D13/108

D636,257 S \* 4/2011 Bougoulas ..... D9/420  
D665,734 S \* 8/2012 Fitch ..... D13/107  
D681,009 S \* 4/2013 Meng ..... D14/214  
D682,449 S \* 5/2013 Scazziga ..... D26/37  
D708,166 S \* 7/2014 Lim ..... D14/209.1  
D726,153 S \* 4/2015 Chang ..... D14/214  
D757,001 S \* 5/2016 Kim ..... D14/138 R  
D759,629 S \* 6/2016 Kusano ..... D14/214  
D760,685 S \* 7/2016 Sugiura ..... D14/204  
(Continued)

**OTHER PUBLICATIONS**

Amazon—Yamaha YAS-107BL, announced Jun. 20, 2017 (date first available) [online], [site visited Jan. 20, 2018]. Available from internet, URL: <<https://www.amazon.com/Yamaha-YAS-107BL-Built-Subwoofers-Bluetooth/dp/B071ZN5PSS>>.\*  
(Continued)

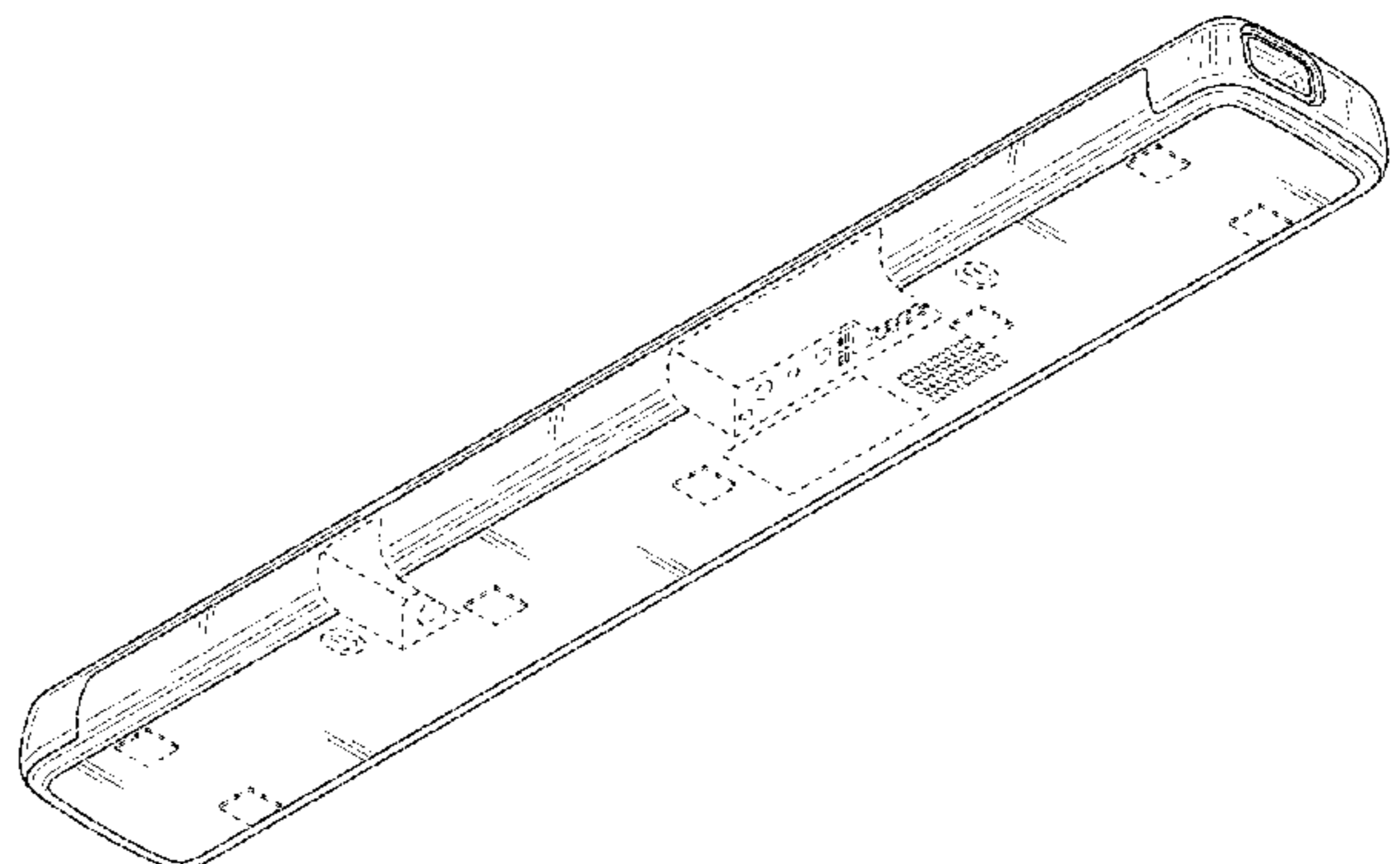
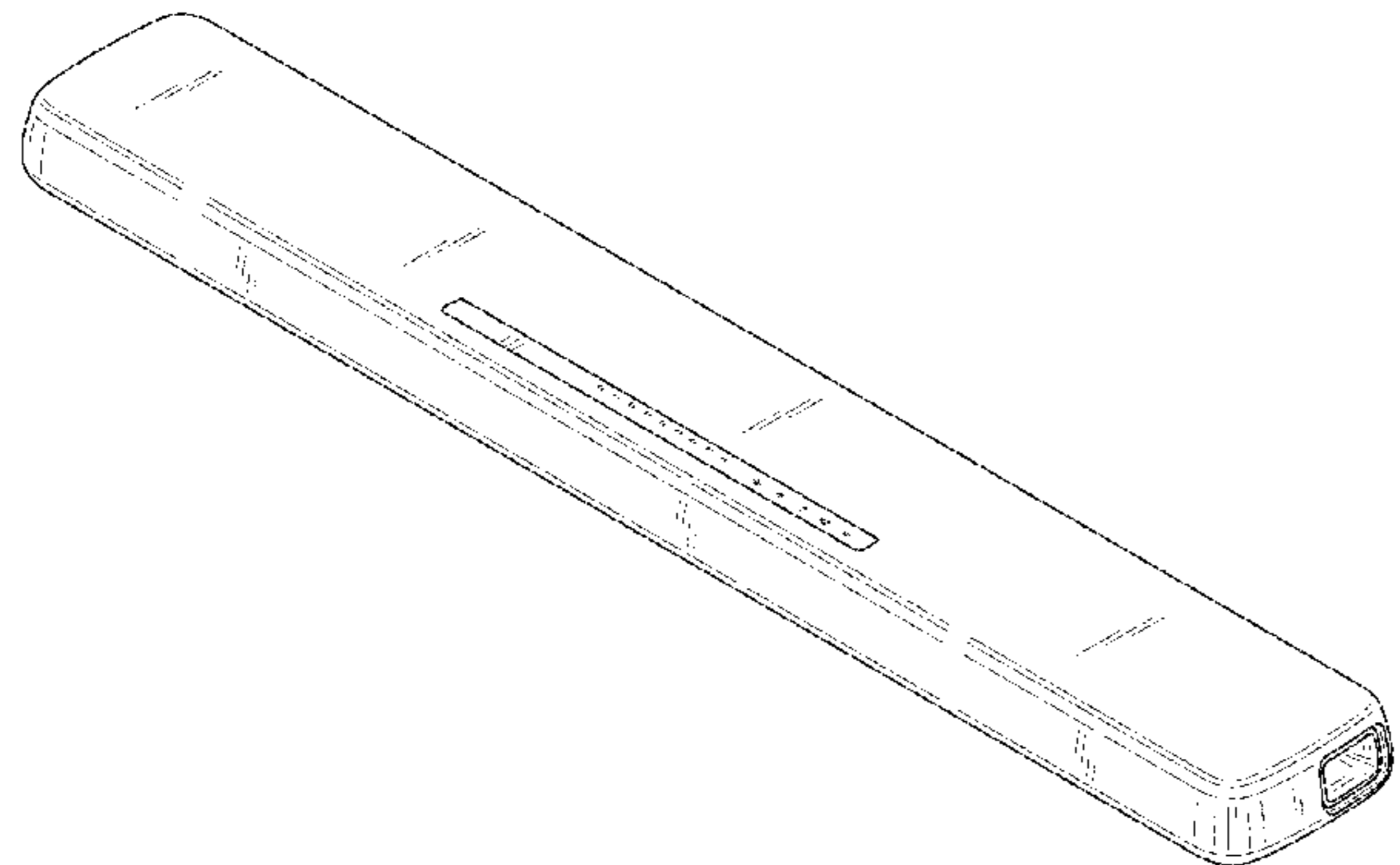
*Primary Examiner* — Keli L Hill  
*Assistant Examiner* — Karra S Johnson  
(74) *Attorney, Agent, or Firm* — Sughrue Mion, PLLC

(57) **CLAIM**  
The ornamental design for a speaker, as shown and described.

**DESCRIPTION**

FIG. 1 is a perspective view of the front, top and right side of a speaker showing my new design;  
FIG. 2 is a perspective view of the rear, top and left side thereof;  
FIG. 3 is a front view thereof;  
FIG. 4 is a rear view thereof;  
FIG. 5 is a right side view thereof, the left side view is a mirror image of the right side view;  
FIG. 6 is a top plan view thereof; and,  
FIG. 7 is a bottom view thereof.  
The broken line showing of the speaker is included for the purpose of illustrating unclaimed portions of the speaker and forms no part of the claimed design.

**1 Claim, 4 Drawing Sheets**



(56)

**References Cited**

U.S. PATENT DOCUMENTS

D773,436 S \* 12/2016 Kim ..... D14/214  
D781,812 S \* 3/2017 Cho ..... D14/204  
D782,444 S \* 3/2017 Koo ..... D14/214  
D791,105 S \* 7/2017 Weber ..... D14/218  
D800,693 S \* 10/2017 Sugiura ..... D14/214  
D800,694 S \* 10/2017 Sugiura ..... D14/214  
9,820,052 B2 \* 11/2017 Mao ..... H04R 9/025

OTHER PUBLICATIONS

Gadget Review—Best Soundbars 2018, announced Dec. 29, 2017 [online], [site visited Jan. 20, 2018]. Available from internet, URL: <<http://www.gadgetreview.com/best-soundbar>>.\*

Amazon—Yamaha Yas-101, announced Mar. 26, 2014 (date first available) [online], [site visited Jan. 20, 2018]. Available from Internet, URL: <<https://www.amazon.in/Yamaha-Front-Surround-System-Yas-101/dp/B00H3GKJ5K>>.\*

\* cited by examiner

Fig. 1

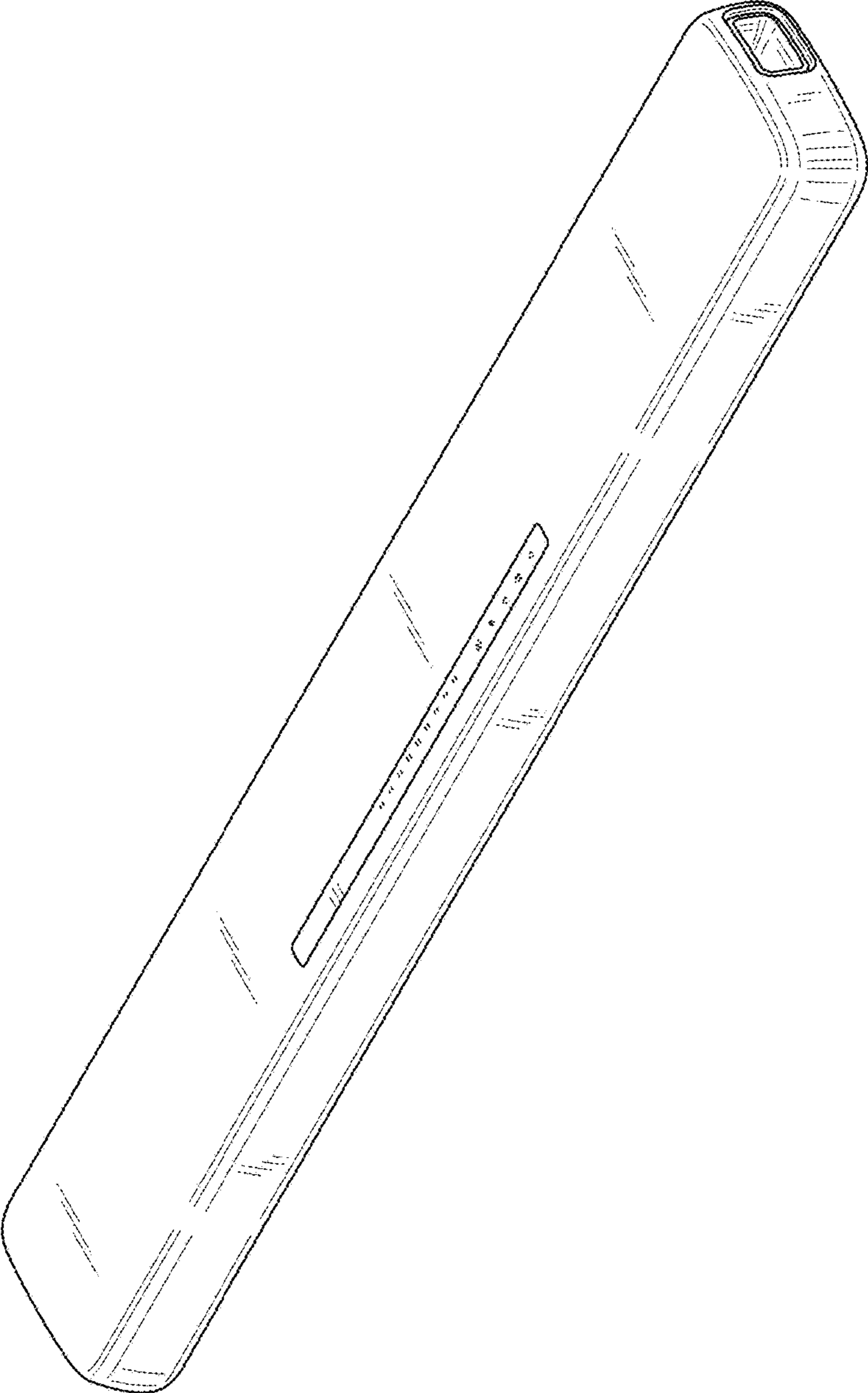


Fig. 2

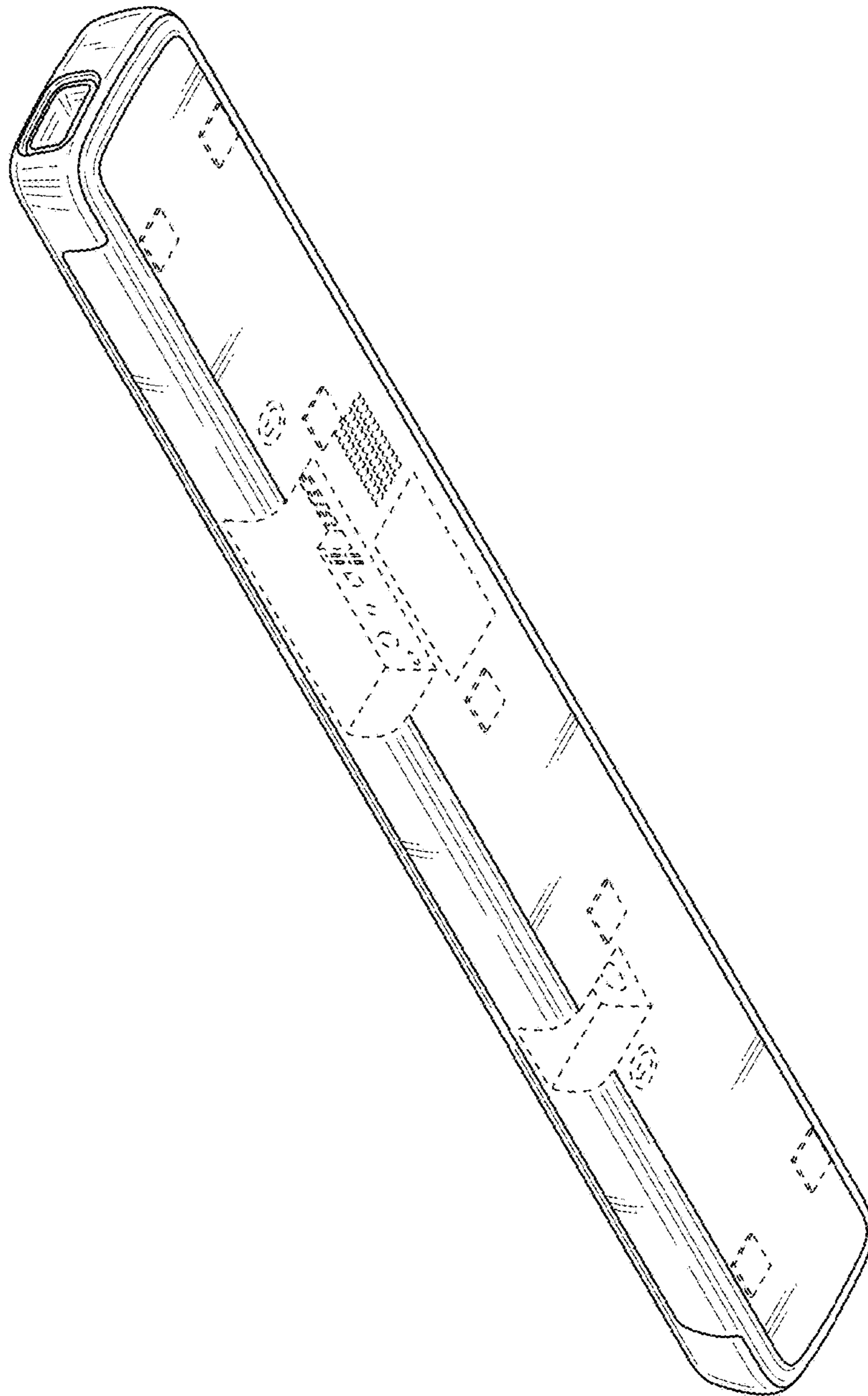




Fig. 3

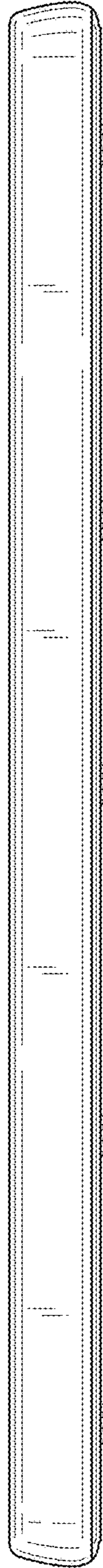


Fig. 4

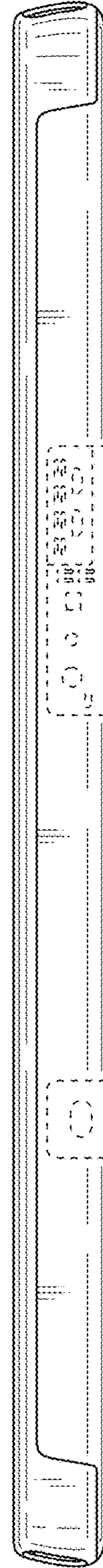


Fig. 5

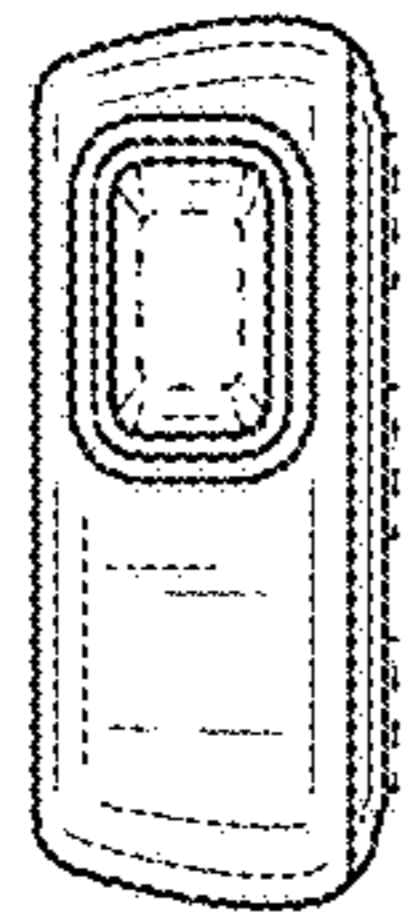


Fig. 6

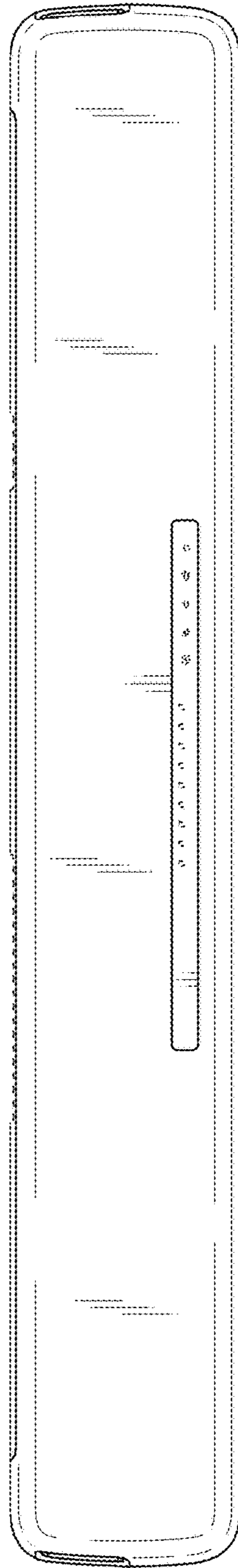


Fig. 7

