



US00D817307S

(12) **United States Design Patent**
Spillmann et al.

(10) **Patent No.:** **US D817,307 S**

(45) **Date of Patent:** **** May 8, 2018**

(54) **LOUDSPEAKER**

(71) Applicant: **Harman International Industries, Incorporated**, Northridge, CA (US)

(72) Inventors: **Jacques Spillmann**, Los Angeles, CA (US); **Tim Nugent**, Santa Monica, CA (US)

(73) Assignee: **Harman International Industries, Incorporated**, Northridge, CA (US)

(**) Term: **15 Years**

(21) Appl. No.: **29/585,544**

(22) Filed: **Nov. 25, 2016**

(51) **LOC (11) Cl.** **14-01**

(52) **U.S. Cl.**
USPC **D14/214**

(58) **Field of Classification Search**
USPC D14/204, 209, 210, 214; 181/199, 144, 181/148, 147, 154; 381/386, 339, 345, 381/351, 335, 332, 395, 87, 150, 182, 381/186, 342, 355; 248/282.1, 323
CPC H04R 25/00; H04R 1/02; H04R 1/1025; H05K 5/00; A47B 81/06
See application file for complete search history.

(56) **References Cited**

U.S. PATENT DOCUMENTS

- 2,826,260 A * 3/1958 Miller H04R 1/30
181/145
- 2,829,728 A 4/1958 Brown
- 3,257,154 A * 6/1966 Lewis A47B 49/00
312/198
- D230,489 S * 2/1974 Everitt D14/214
- 3,938,618 A 2/1976 Ambruoso, Sr.
- D253,108 S 10/1979 Schroeder
- 4,179,008 A * 12/1979 Letourneau H04R 1/403
181/145

- 4,182,429 A 1/1980 Senzaki
- D263,394 S * 3/1982 Szabo D14/214
- D264,336 S 5/1982 Nicholson et al.
- D266,243 S 9/1982 Gollehon
- 4,377,114 A * 3/1983 Fuller A47F 5/0892
108/103
- 4,502,149 A 2/1985 Gefvert
- D282,255 S * 1/1986 Ross D14/214
- 4,582,162 A 4/1986 Katsuno
- 4,660,728 A * 4/1987 Martin H04R 1/026
211/118
- 4,730,693 A * 3/1988 Kobus H04R 1/026
181/145
- D295,857 S * 5/1988 Nagashima D14/210
- 4,805,730 A * 2/1989 O'Neill H04R 1/02
181/145
- 5,000,286 A * 3/1991 Crawford H04R 1/02
181/145
- D328,746 S * 8/1992 Ishibashi D14/168

(Continued)

Primary Examiner — Paula Allen Greene

(74) *Attorney, Agent, or Firm* — Plumsea Law Group, LLC

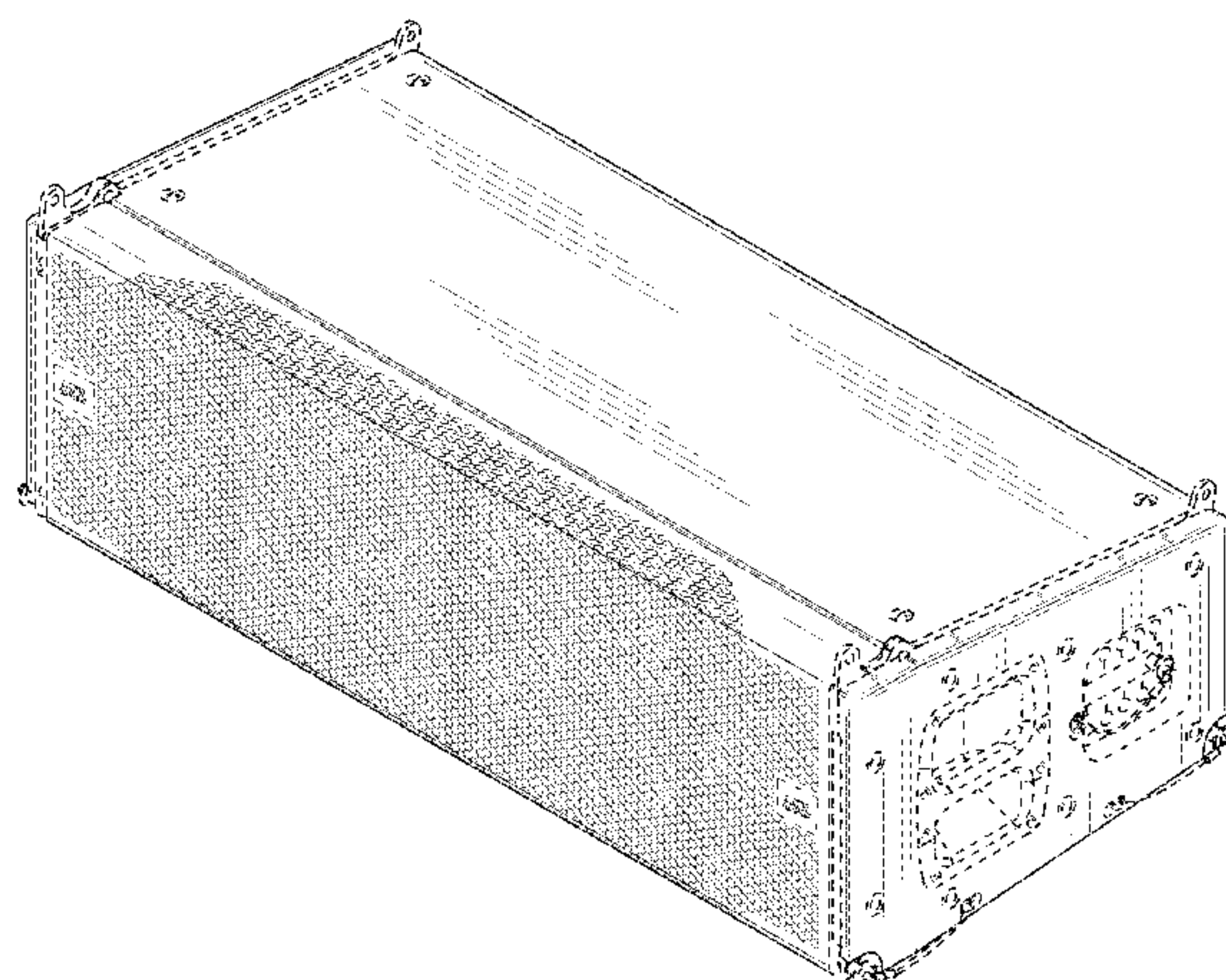
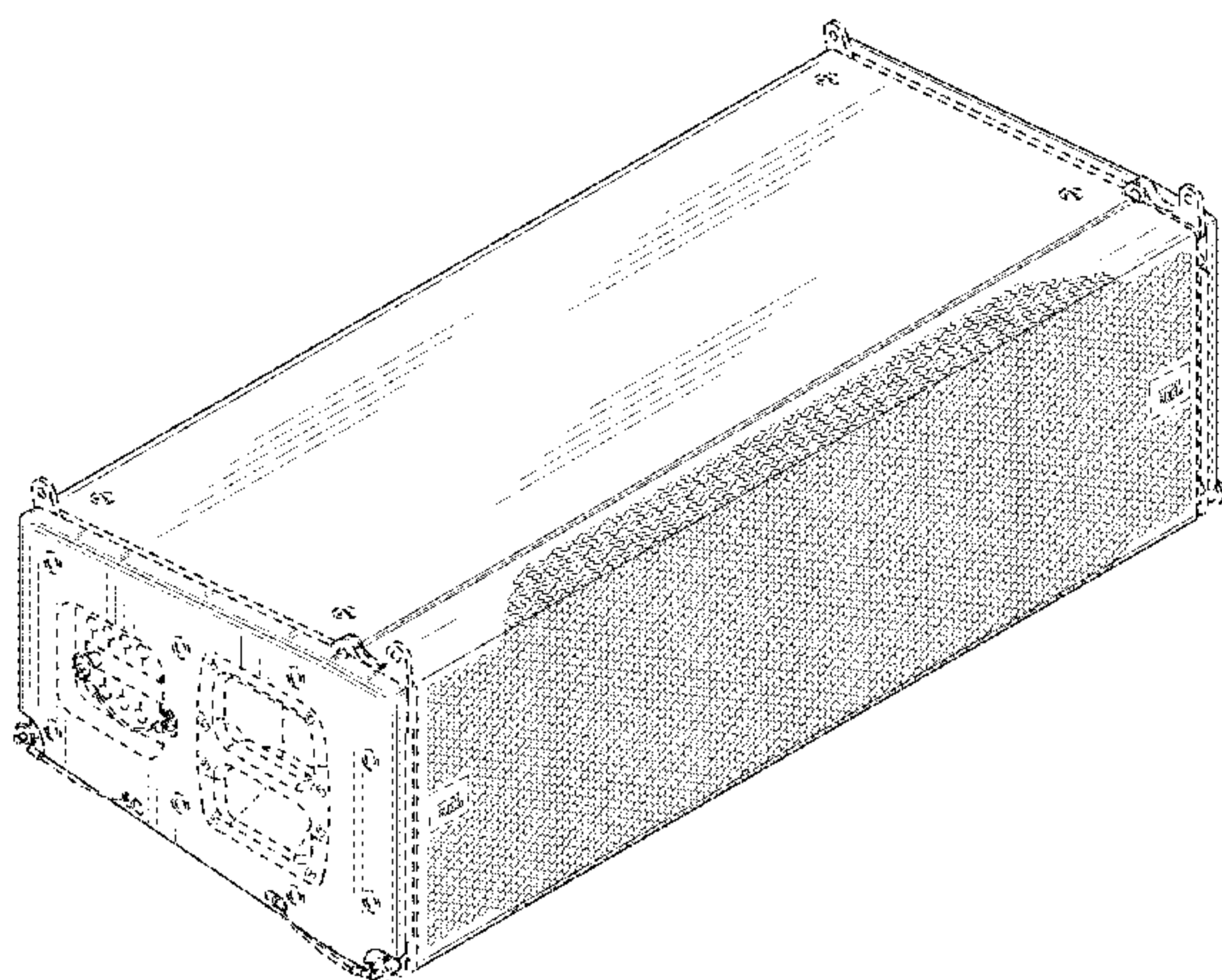
(57) **CLAIM**

The ornamental design for a loudspeaker, as shown and described.

DESCRIPTION

FIG. 1 is a perspective view of a loudspeaker showing our new design;
FIG. 2 is another perspective view thereof;
FIG. 3 is a top plan view thereof;
FIG. 4 is a bottom plan view thereof;
FIG. 5 is a front elevation view thereof;
FIG. 6 is a rear elevation view thereof;
FIG. 7 is a side elevation view of one side thereof; and,
FIG. 8 is a side elevational view of one side thereof.
The broken line showings form no part of the claimed design.

1 Claim, 7 Drawing Sheets



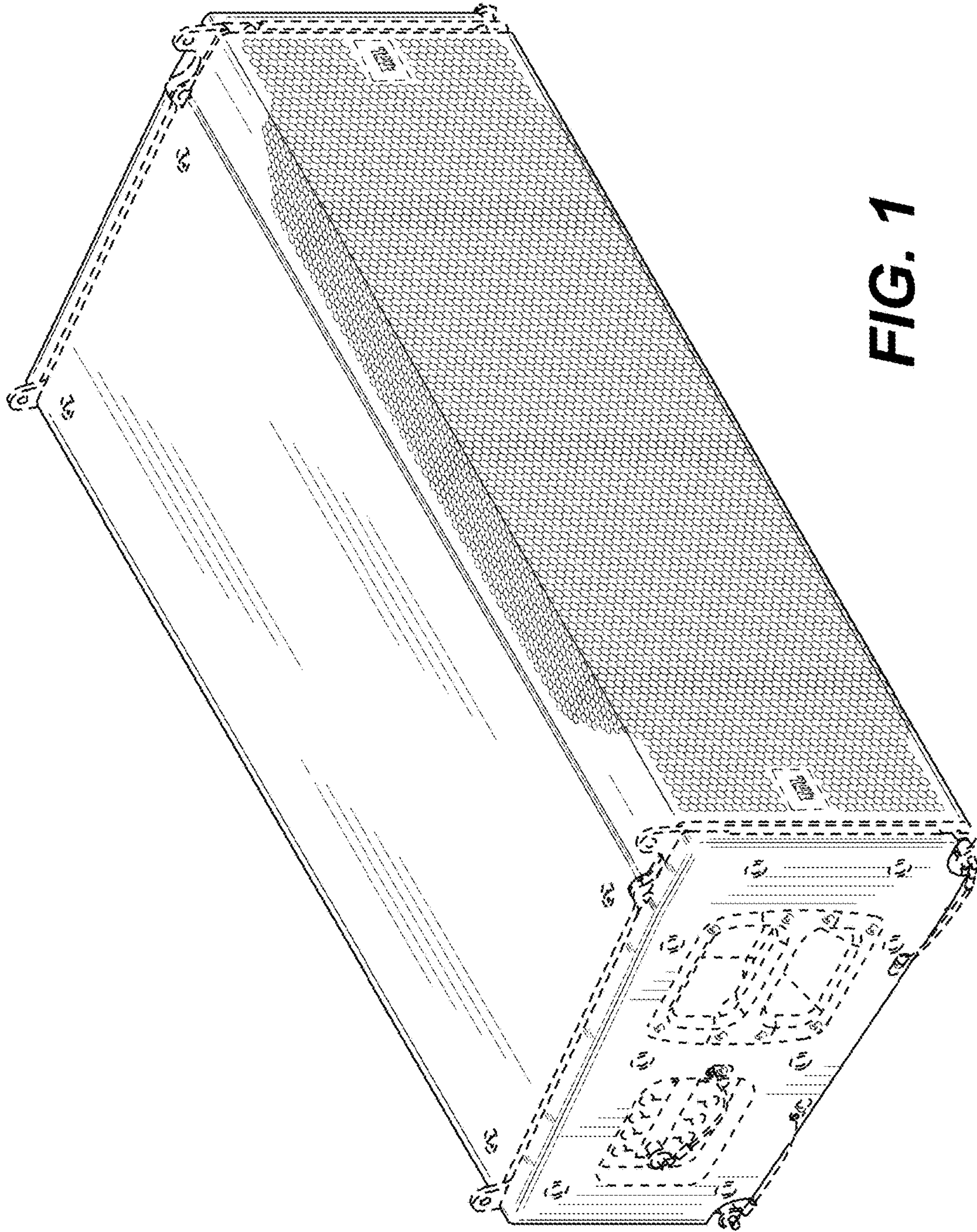
(56)

References Cited

U.S. PATENT DOCUMENTS

5,179,367	A *	1/1993	Shimizu	G09F 7/18 248/317
5,186,506	A	2/1993	Gale		
D350,136	S	8/1994	Kim		
5,368,270	A *	11/1994	Wiwczar	H04R 1/026 248/316.4
D358,818	S *	5/1995	Rozier	D14/214
5,758,582	A *	6/1998	Gnezdilov	B60N 2/24 104/241
5,996,728	A *	12/1999	Stark	H04R 1/028 181/144
D439,237	S *	3/2001	Felix	D14/214
D440,228	S *	4/2001	Schmidt, Jr.	D14/493
D450,778	S	11/2001	Engebretson		
D472,887	S	4/2003	Right et al.		
6,578,807	B1	6/2003	Lipscomb et al.		
6,640,924	B2 *	11/2003	Messner	H04R 1/026 181/144
D500,025	S	12/2004	Vincenot et al.		
D511,339	S *	11/2005	Tsuge	D14/214
D531,986	S *	11/2006	Azumi	D14/214
7,134,523	B2	11/2006	Engebretson		
7,298,860	B2	11/2007	Engebretson et al.		
D560,657	S *	1/2008	Langberg	D14/214
7,324,654	B2	1/2008	Opie et al.		
7,328,769	B1 *	2/2008	Adamson	H04R 1/026 181/144
D568,294	S *	5/2008	Sawhney	D14/214
D572,702	S *	7/2008	Bart	D14/171
D582,391	S *	12/2008	Morimoto	D14/214
D637,580	S *	5/2011	Aranda, Jr.	D14/214
D642,555	S	8/2011	Hawkins et al.		
D654,474	S *	2/2012	Hawkins	D14/214
D659,119	S *	5/2012	Brunner	D14/209.1
D663,719	S *	7/2012	Warden	D14/214
D671,912	S *	12/2012	Warden	D14/204
D675,188	S *	1/2013	Hawkins	D14/204
D684,948	S *	6/2013	Burlingame	D14/204
D686,193	S *	7/2013	Giffin	D14/214
D687,815	S	8/2013	Hwangho et al.		
D692,864	S *	11/2013	Givre	D14/214
8,600,097	B2 *	12/2013	McGhee	H04R 1/02 181/198
D698,336	S *	1/2014	Givre	D14/214
D712,878	S *	9/2014	Azumi	D14/204
D727,292	S	4/2015	Anthony et al.		
D742,854	S *	11/2015	Warden	D14/204
D749,278	S	2/2016	Garvey		
D752,015	S *	3/2016	Spillmann	D14/204
D761,762	S *	7/2016	Andrews	D14/210
D771,585	S *	11/2016	Espinosa	D14/204
9,584,887	B2	2/2017	Spillmann et al.		
D783,574	S	4/2017	Garrett et al.		
D793,992	S *	8/2017	Peace	D14/214
2002/0071580	A1 *	6/2002	Engebretson	H04R 1/026 381/182
2002/0114482	A1 *	8/2002	Adamson	H04R 1/26 381/340
2003/0127280	A1	7/2003	Engebretson		
2004/0003961	A1	1/2004	Gunness		
2004/0251078	A1	12/2004	Kung		
2005/0232455	A1 *	10/2005	Monitto	H04R 1/026 381/335
2007/0000719	A1 *	1/2007	Bothe	H04R 1/026 181/150
2009/0214067	A1	8/2009	Bathe		
2011/0305362	A1 *	12/2011	McGhee	H04R 1/02 381/386
2013/0208936	A1 *	8/2013	McGhee	H04R 1/026 381/332
2014/0205126	A1 *	7/2014	Faranda	H04R 1/026 381/335
2016/0212523	A1 *	7/2016	Spillmann	H04R 1/2803

* cited by examiner



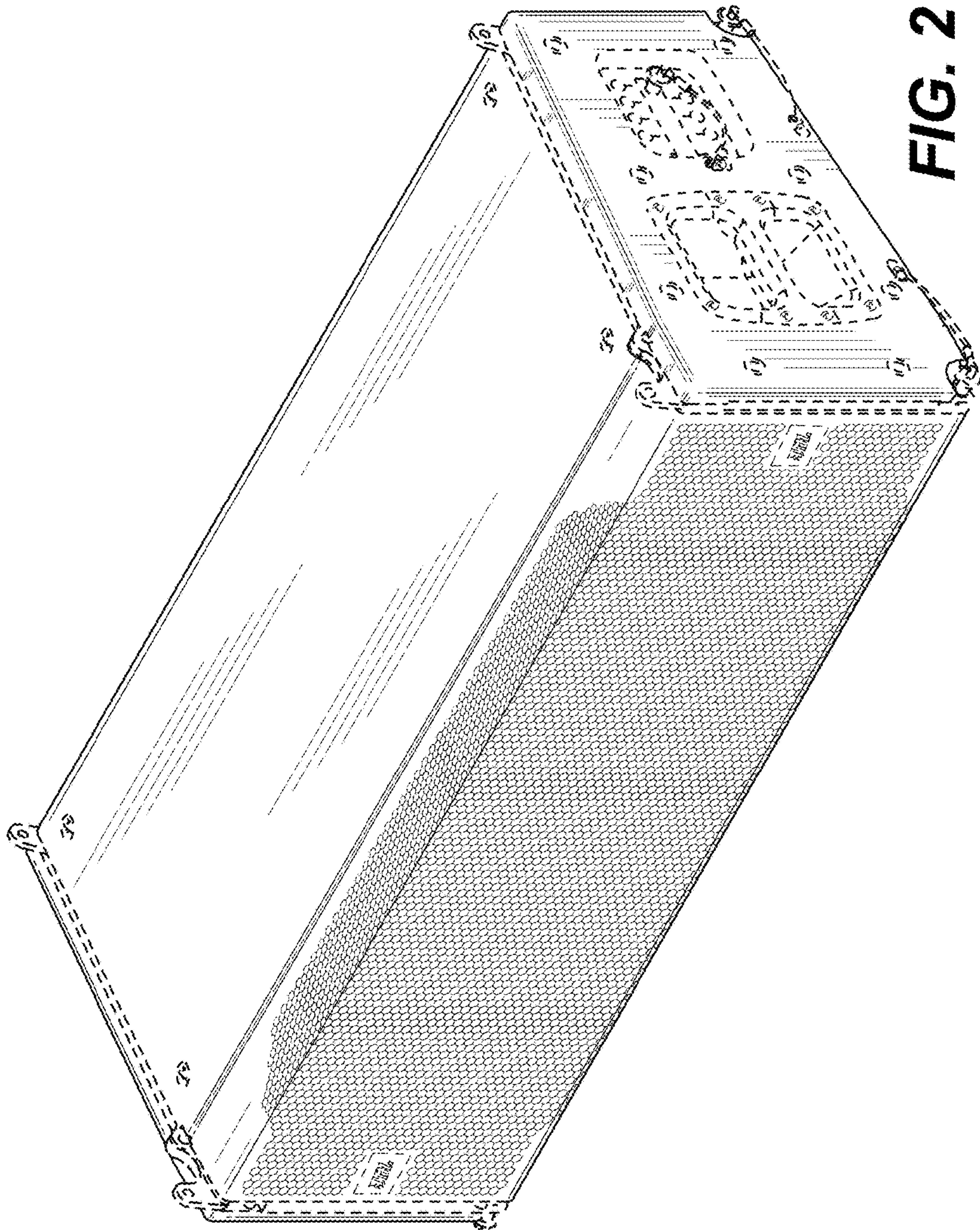


FIG. 2

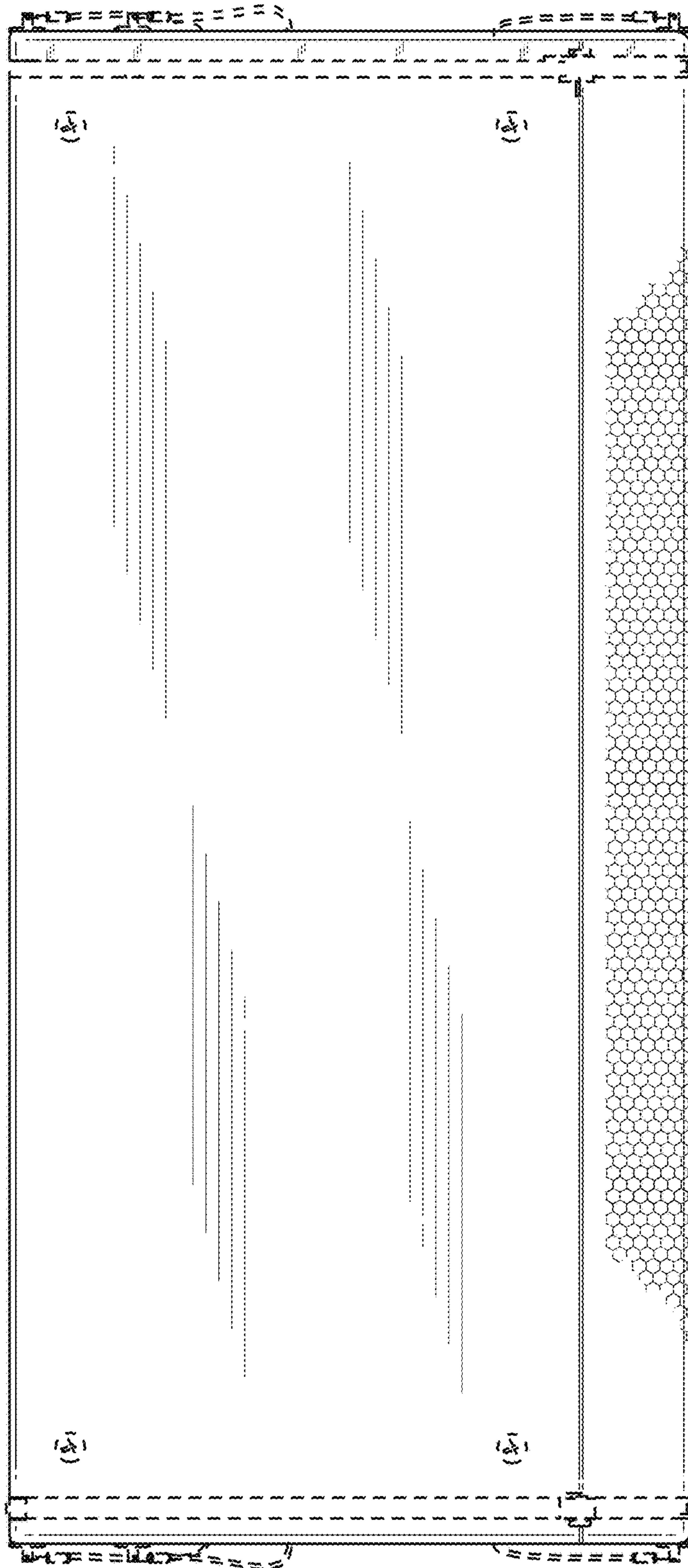


FIG. 3

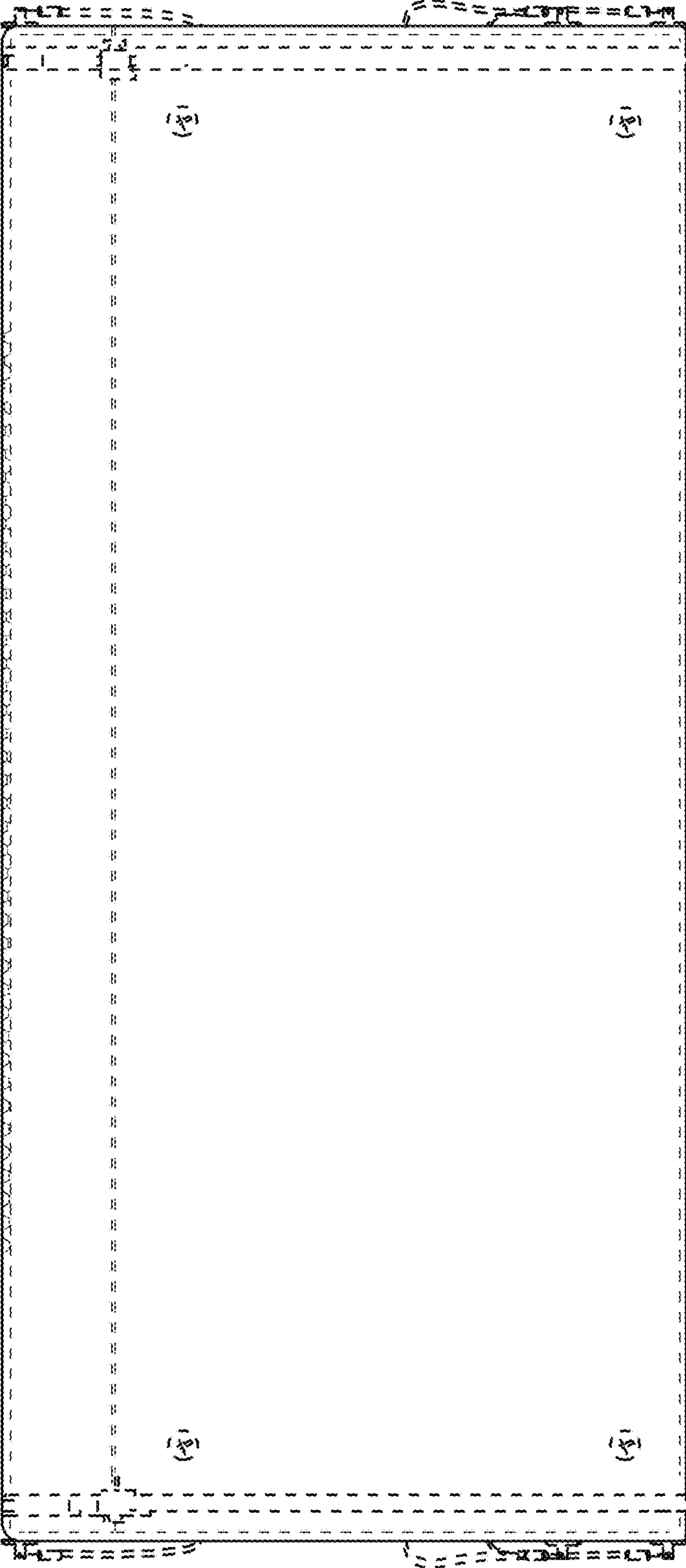


FIG. 4

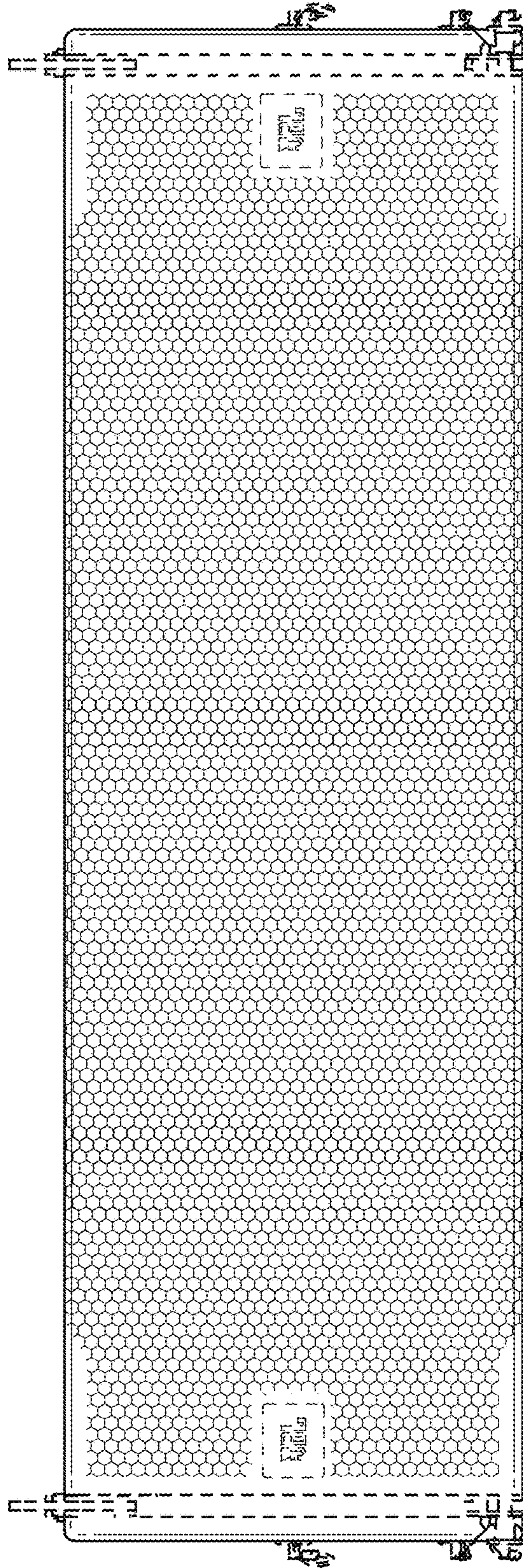


FIG. 5

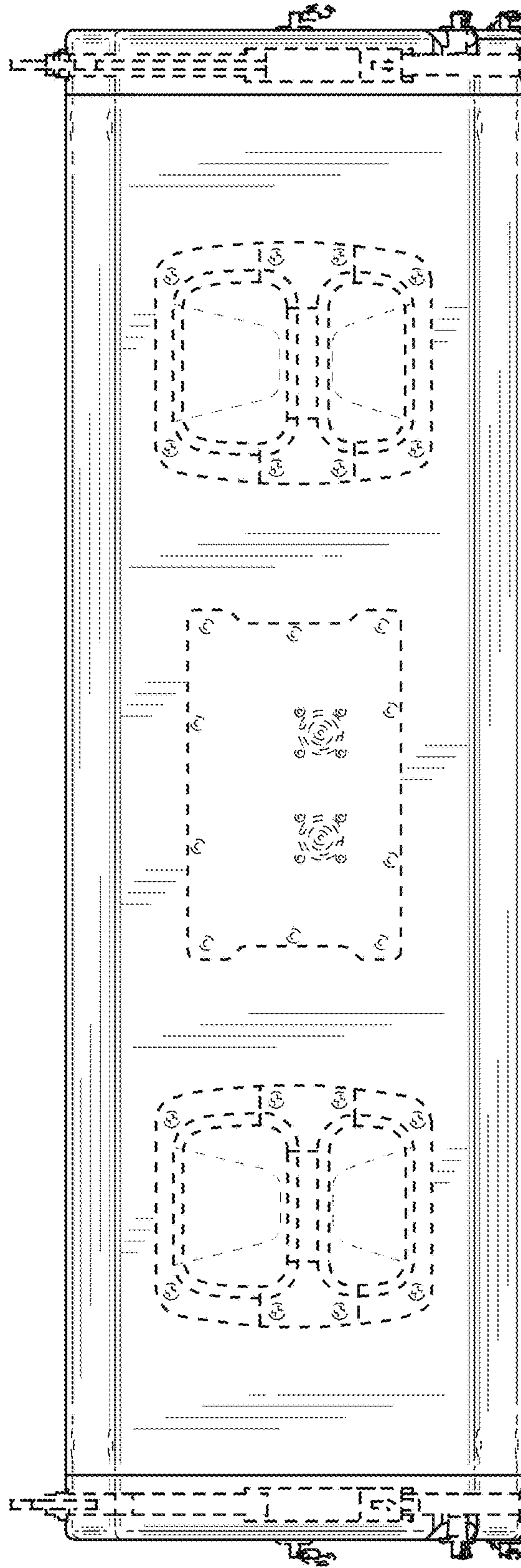


FIG. 6

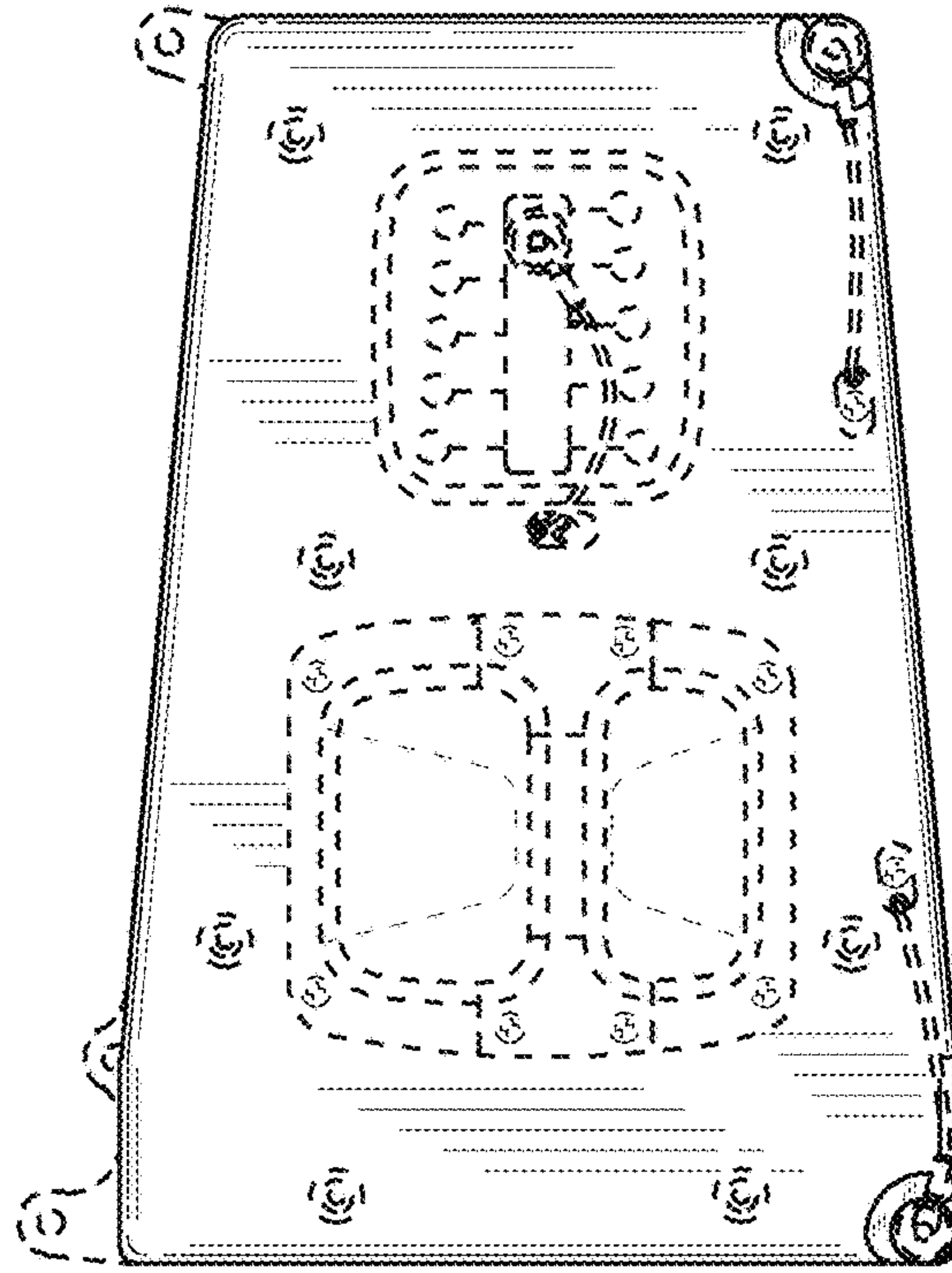


FIG. 8

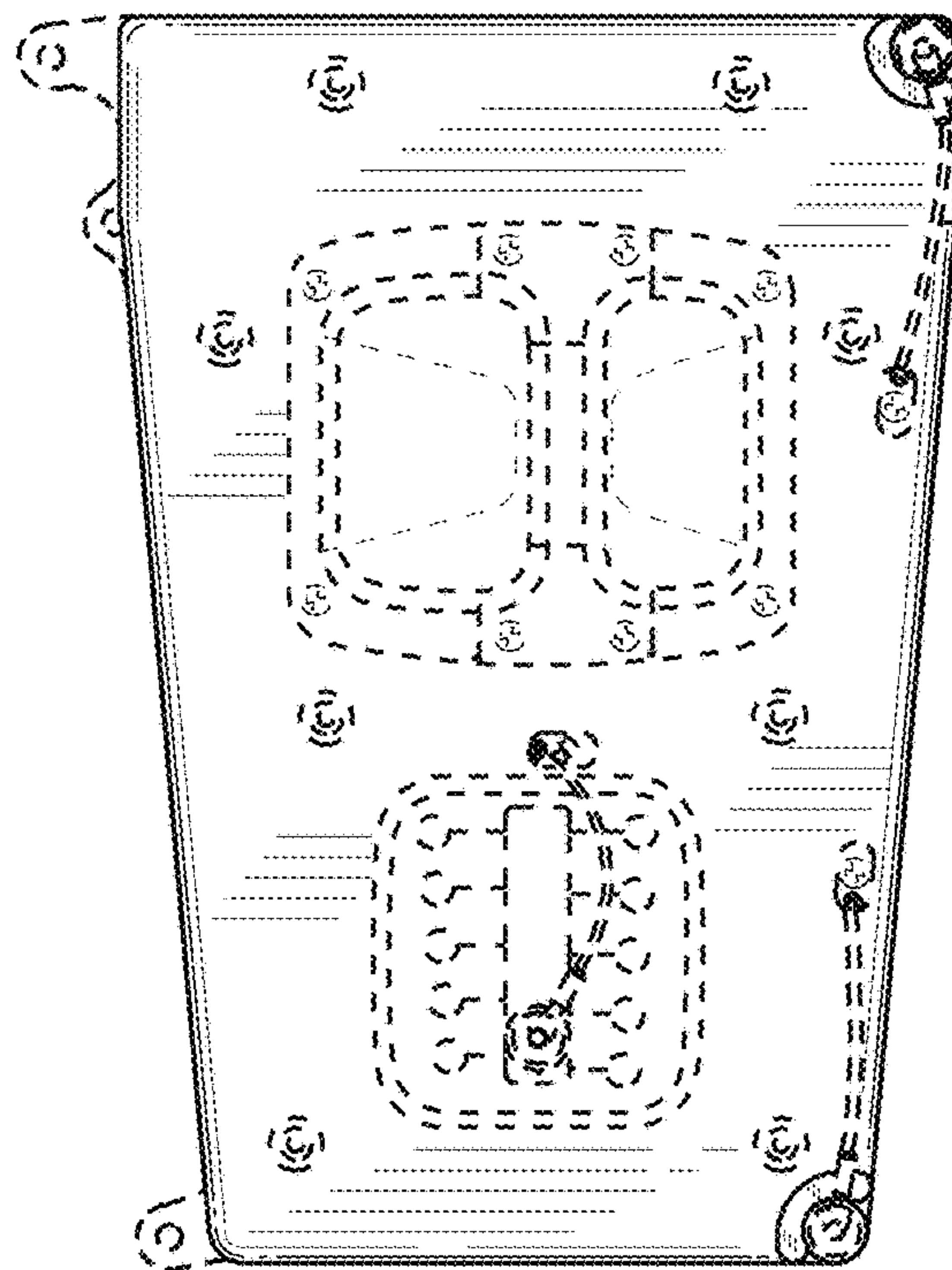


FIG. 7