



US00D817305S

(12) **United States Design Patent** (10) **Patent No.:** **US D817,305 S**  
**Hsieh et al.** (45) **Date of Patent:** **\*\* May 8, 2018**

(54) **EARPHONE**

(71) Applicant: **1MORE INC.**, Guangdong (CN)

(72) Inventors: **Kuan-Hong Hsieh**, Guangdong (CN);  
**Shichen Xu**, Guangdong (CN);  
**Yonghui Hu**, Guangdong (CN)

(73) Assignee: **1MORE INC.**, Guangdong (CN)

(\*\*) Term: **15 Years**

(21) Appl. No.: **29/553,656**

(22) Filed: **Feb. 3, 2016**

(30) **Foreign Application Priority Data**

Oct. 28, 2015 (CN) ..... 2015 3 0421860

(51) **LOC (11) Cl.** ..... **14-01**

(52) **U.S. Cl.**  
USPC ..... **D14/206**

(58) **Field of Classification Search**  
USPC ..... D14/205-206, 223, 225, 372, 433;  
D29/112; D24/173-174

CPC ..... H04R 1/10; H04R 1/1016; H04R 1/1066;  
H04R 1/105; H04R 1/1033; H04R 1/08;  
H04R 5/033; H04R 5/0335; H04R 25/00  
See application file for complete search history.

(56) **References Cited**

**U.S. PATENT DOCUMENTS**

D463,791 S \* 10/2002 Nagai ..... D14/205  
D624,529 S \* 9/2010 Huang ..... D14/206  
D643,418 S \* 8/2011 Lee ..... D14/223  
D686,196 S \* 7/2013 Lee ..... D14/223  
D691,580 S \* 10/2013 Cho ..... D14/205  
D712,382 S \* 9/2014 Brunner ..... D14/223  
D739,377 S \* 9/2015 Yeom ..... D14/205  
D743,946 S \* 11/2015 Brunner ..... D14/223  
D745,862 S \* 12/2015 Otani ..... D14/223  
D752,026 S \* 3/2016 Yang ..... D14/223

D773,438 S \* 12/2016 Walker ..... D14/223  
D778,257 S \* 2/2017 Hu ..... D14/205  
D780,721 S \* 3/2017 Brunner ..... D14/223  
D782,996 S \* 4/2017 Zhu ..... D14/205  
D787,477 S \* 5/2017 Lee ..... D14/223  
2007/0104345 A1\* 5/2007 Yang ..... H04R 1/1066  
381/381  
2011/0103636 A1\* 5/2011 Pelland ..... H04R 1/1016  
381/380  
2012/0087534 A1\* 4/2012 Pelland ..... H04R 1/1041  
381/380  
2014/0072137 A1\* 3/2014 Nelson ..... H04R 1/1041  
381/74

(Continued)

**OTHER PUBLICATIONS**

Wavefun Slim Wireless in Ear Headphones, posted at Amazon.com, posted on Sep. 15, 2015, site visited Aug. 16, 2017, see link in box "V".\*

(Continued)

*Primary Examiner* — Barbara Fox  
*Assistant Examiner* — Messina L Smith  
(74) *Attorney, Agent, or Firm* — Polsinelli PC

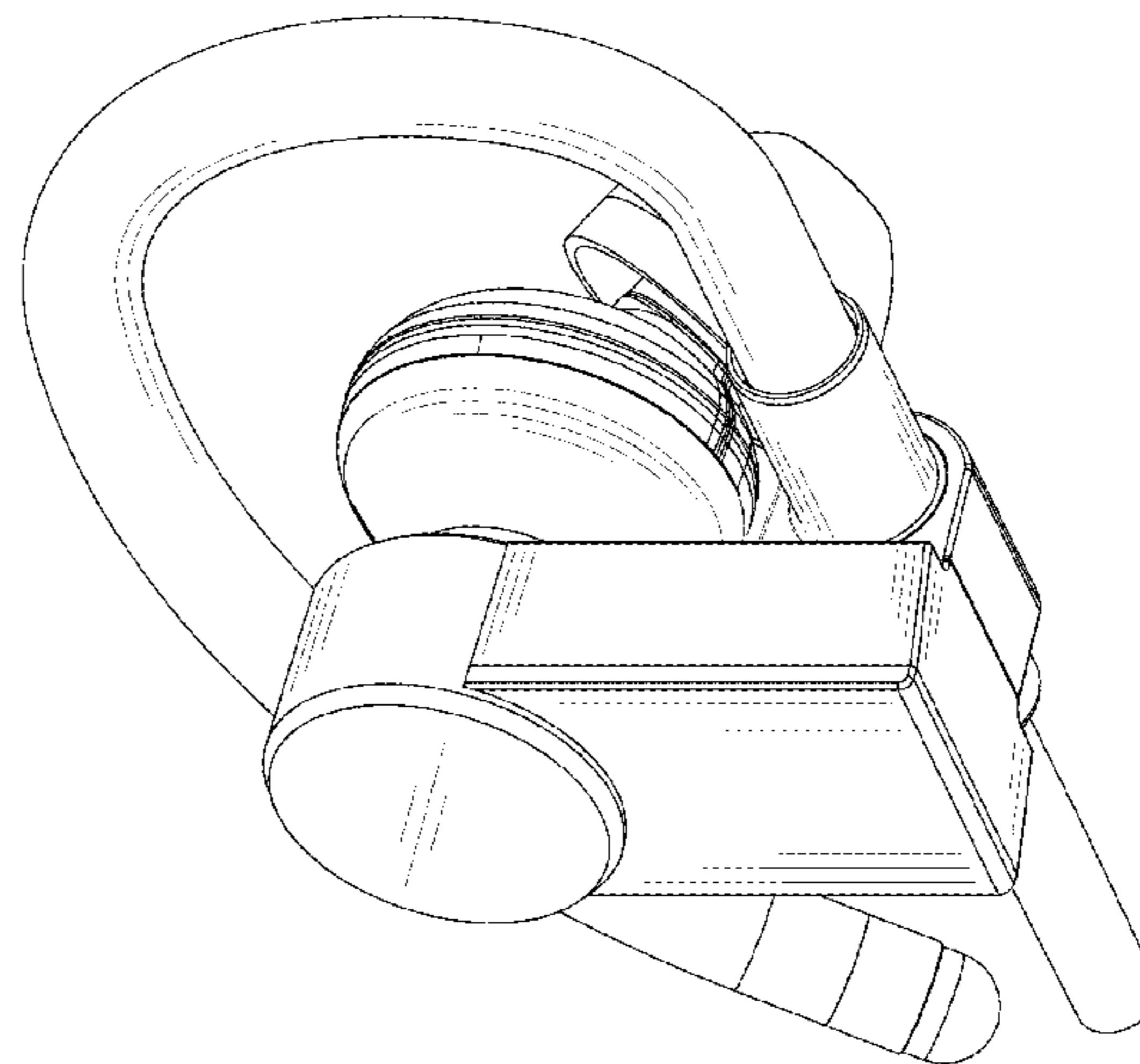
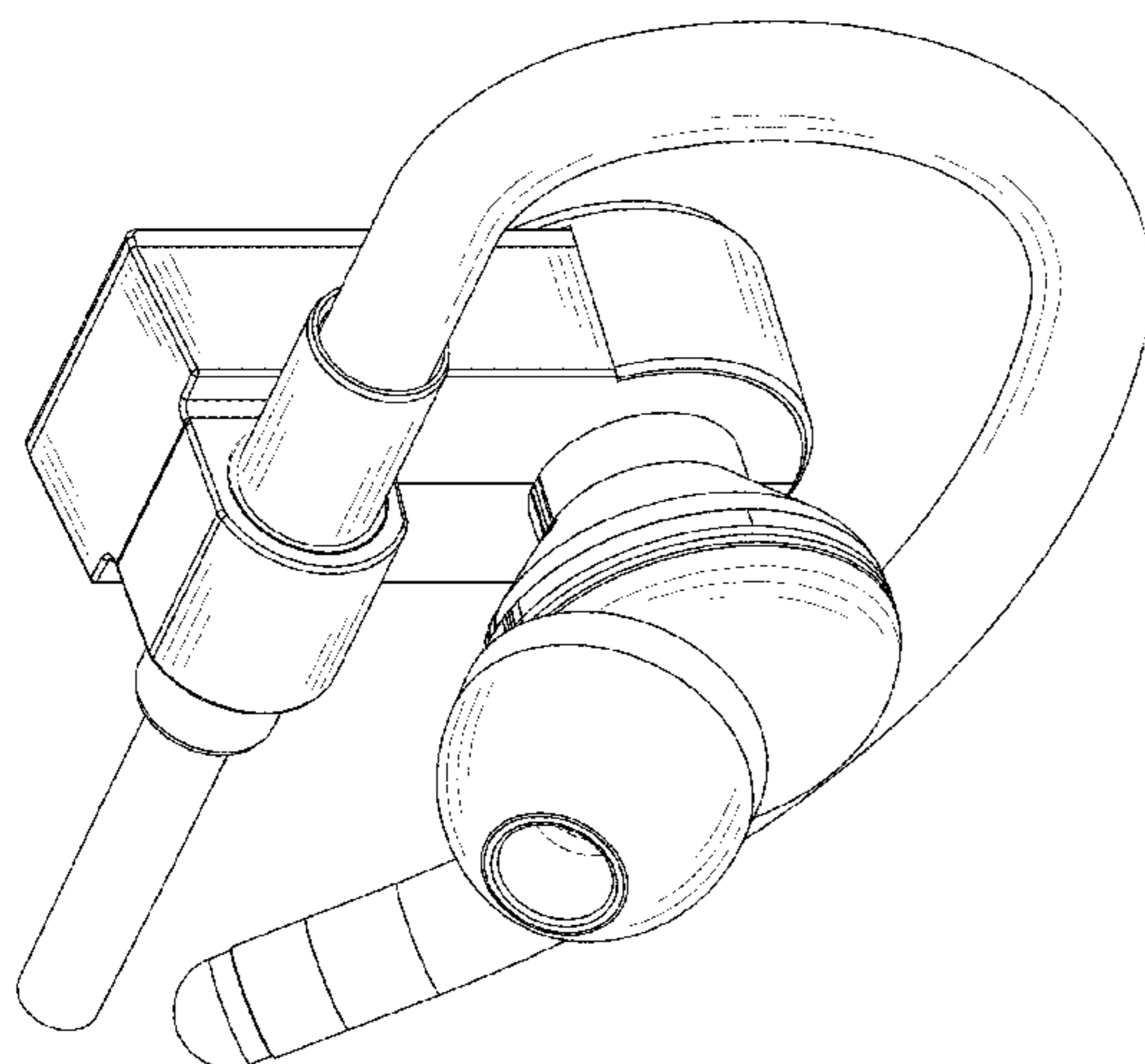
(57) **CLAIM**

The ornamental design for an earphone, as shown and described.

**DESCRIPTION**

FIG. 1 is a front elevational view of an earphone showing my new design;  
FIG. 2 is a rear elevational view thereof;  
FIG. 3 is a left-side elevational view thereof;  
FIG. 4 is a right-side elevational view thereof;  
FIG. 5 is a top plan view thereof;  
FIG. 6 is a bottom plan view thereof;  
FIG. 7 is a perspective view thereof; and,  
FIG. 8 is another perspective view thereof.

**1 Claim, 8 Drawing Sheets**



(56)

**References Cited**

U.S. PATENT DOCUMENTS

2015/0330478 A1\* 11/2015 Grewal ..... H04R 1/1033  
381/384

OTHER PUBLICATIONS

[https://www.amazon.com/Headphones-Lightweight-Connection-Sweatproof-Metal/dp/B01MRSUQAK/ref=pd\\_sbs\\_107\\_11?encoding=UTF8&pd\\_rd\\_i=B01MRSUQAK&pd\\_rd\\_r=QDWDJZ68VM4P1F6QNEC3&pd\\_rd\\_w=OSDjm&pd\\_rd\\_wg=fNHPg&psc=1&refRID=QDWDJZ68VM4P1F6QNEC3](https://www.amazon.com/Headphones-Lightweight-Connection-Sweatproof-Metal/dp/B01MRSUQAK/ref=pd_sbs_107_11?encoding=UTF8&pd_rd_i=B01MRSUQAK&pd_rd_r=QDWDJZ68VM4P1F6QNEC3&pd_rd_w=OSDjm&pd_rd_wg=fNHPg&psc=1&refRID=QDWDJZ68VM4P1F6QNEC3).  
Beats Running Headphones Wavefun Bluetooth, posted at Amazon.com, posted on Dec. 22, 2016, see link in box "X".  
[https://www.amazon.com/Headphones-Bluetooth-Lightweight-Connection-Sweatproof/dp/B01N2J4UPH/ref=pd\\_sim\\_107\\_3?encoding=UTF8&pd\\_rd\\_i=B01N2J4UPH&pd\\_rd\\_r=4VYNE4QY7920NG8KK5A6&pd\\_rd\\_w=sLg3v&pd\\_rd\\_wg=QhNwM&psc=1&refRID=4VYNE4QY7920NG8KK5A6](https://www.amazon.com/Headphones-Bluetooth-Lightweight-Connection-Sweatproof/dp/B01N2J4UPH/ref=pd_sim_107_3?encoding=UTF8&pd_rd_i=B01N2J4UPH&pd_rd_r=4VYNE4QY7920NG8KK5A6&pd_rd_w=sLg3v&pd_rd_wg=QhNwM&psc=1&refRID=4VYNE4QY7920NG8KK5A6).  
Sweat-proof Wireless Sports Earbuds with Mic, posted at Bodeaz.com, no posting date given, site visited Aug. 16, 2017, <https://bodeaz.com/products/sweatproof-wireless-sports-earbuds-with-mic?variant=37794388554>.  
Wavefun X-buds Metal Wireless Headphones, posted at Headphoneboss.com, posted on © 2017, <http://headphoneboss.com/wavefun-x-buds-metal-wireless-headphones-bluetooth-41-magnetic/>.

\* cited by examiner

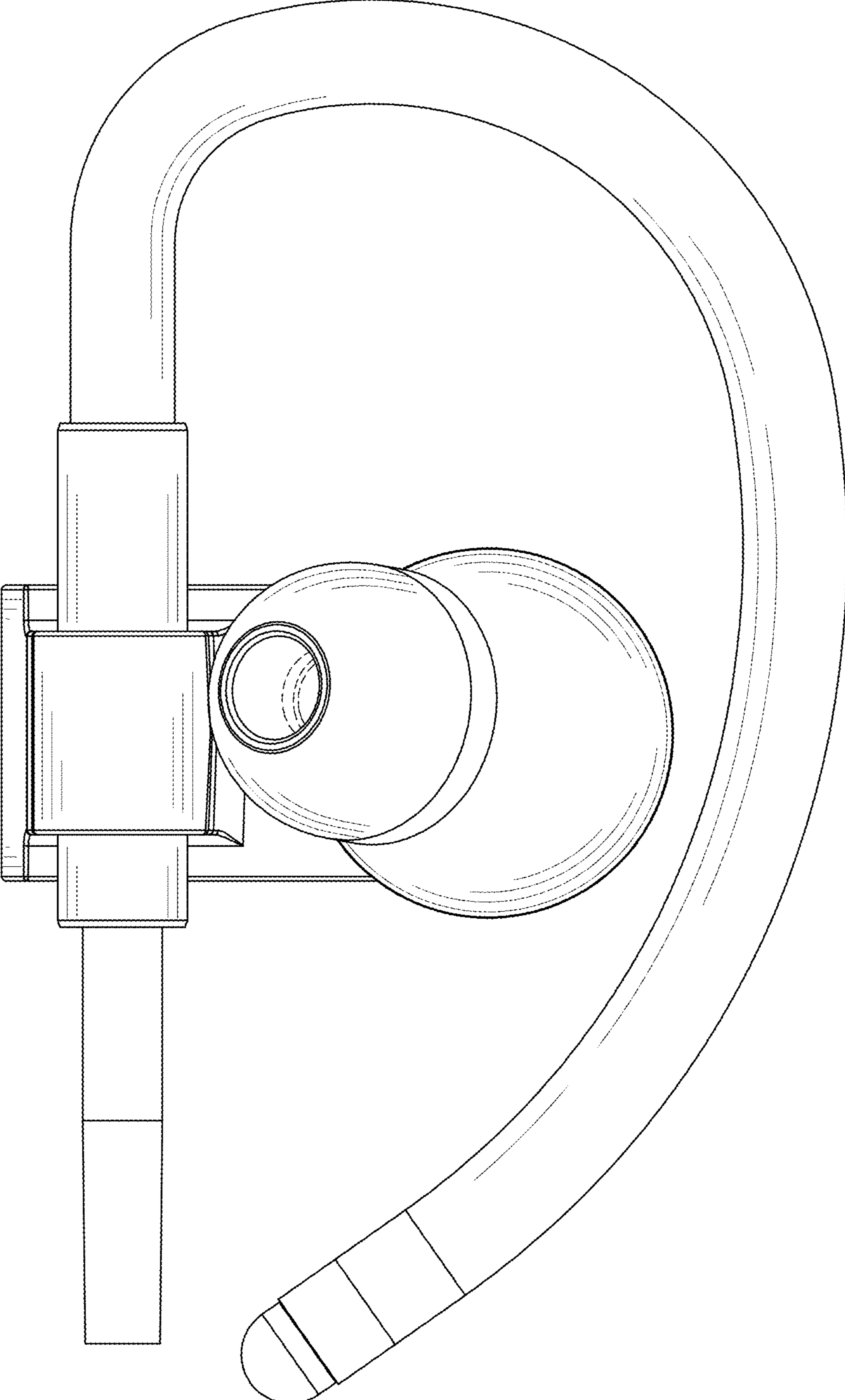


FIG. 1

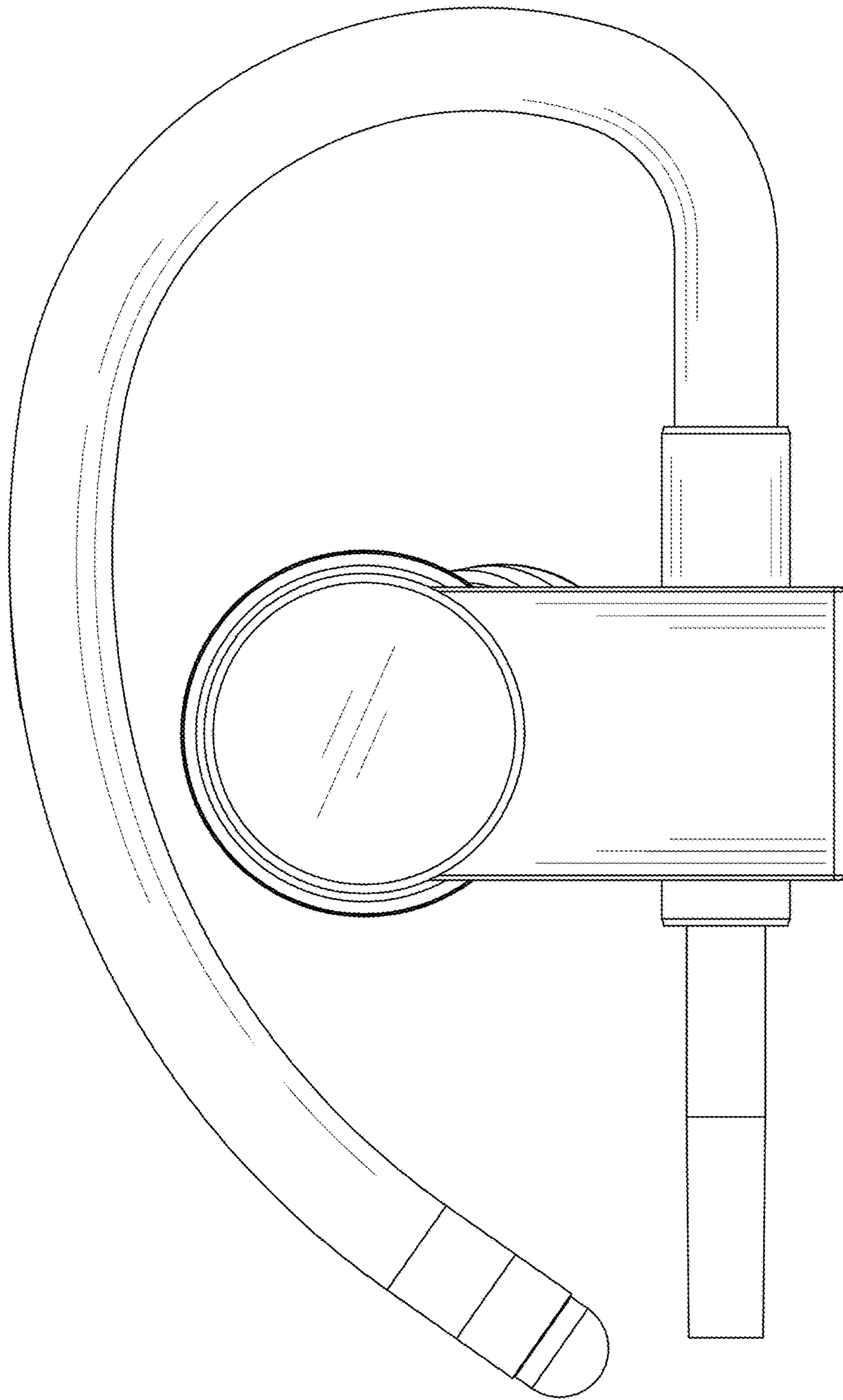


FIG. 2

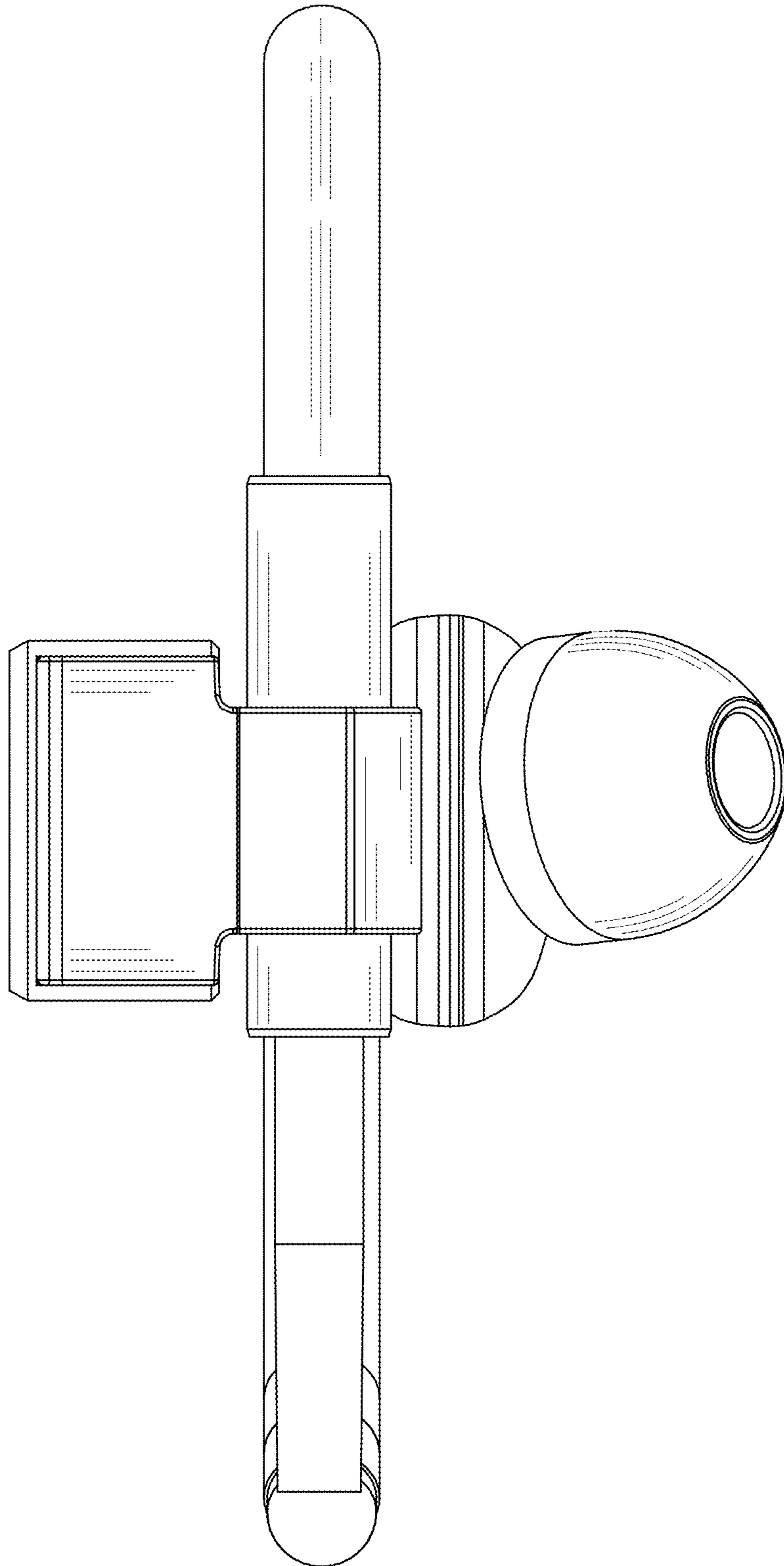


FIG. 3

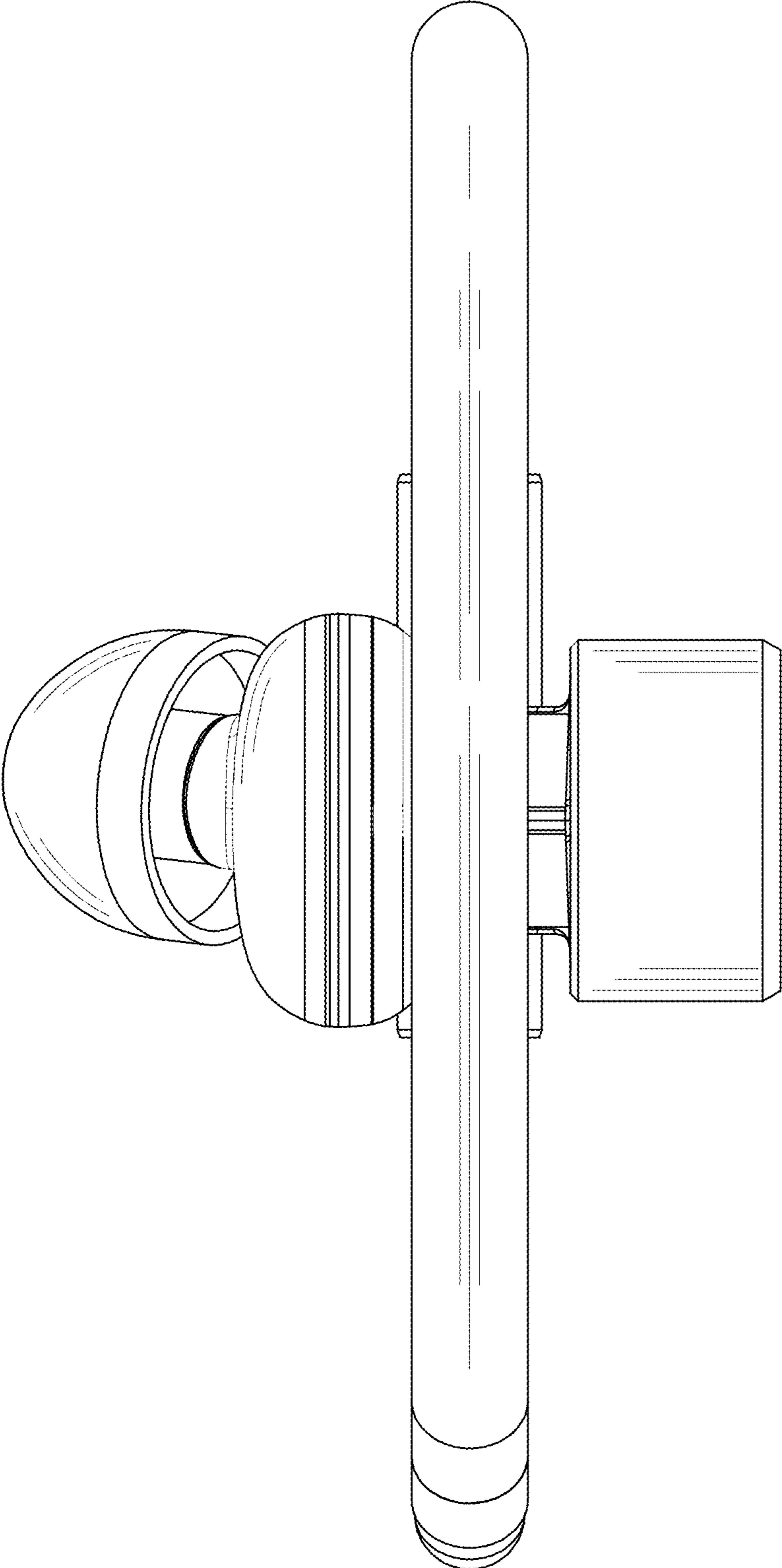


FIG. 4

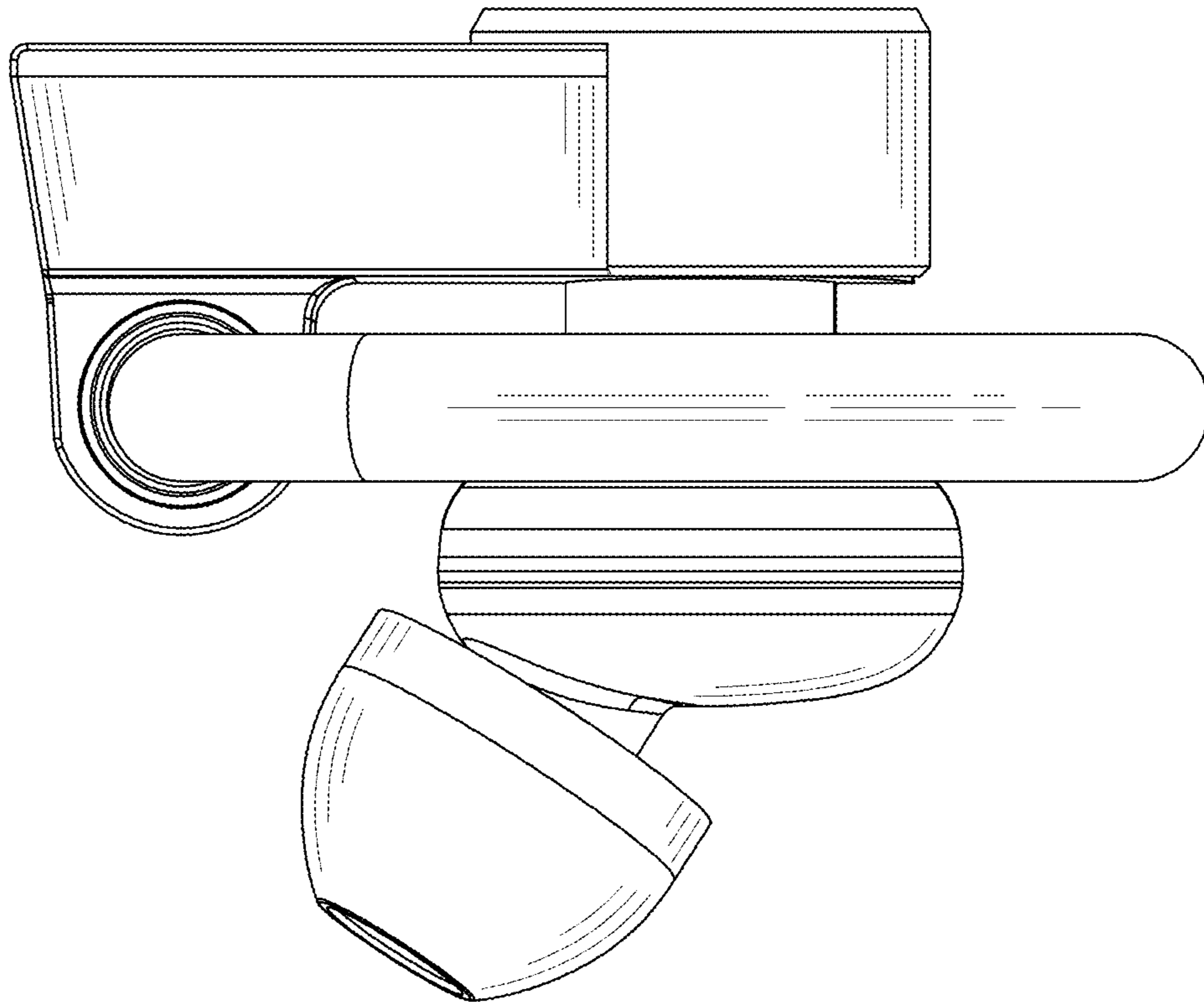


FIG. 5

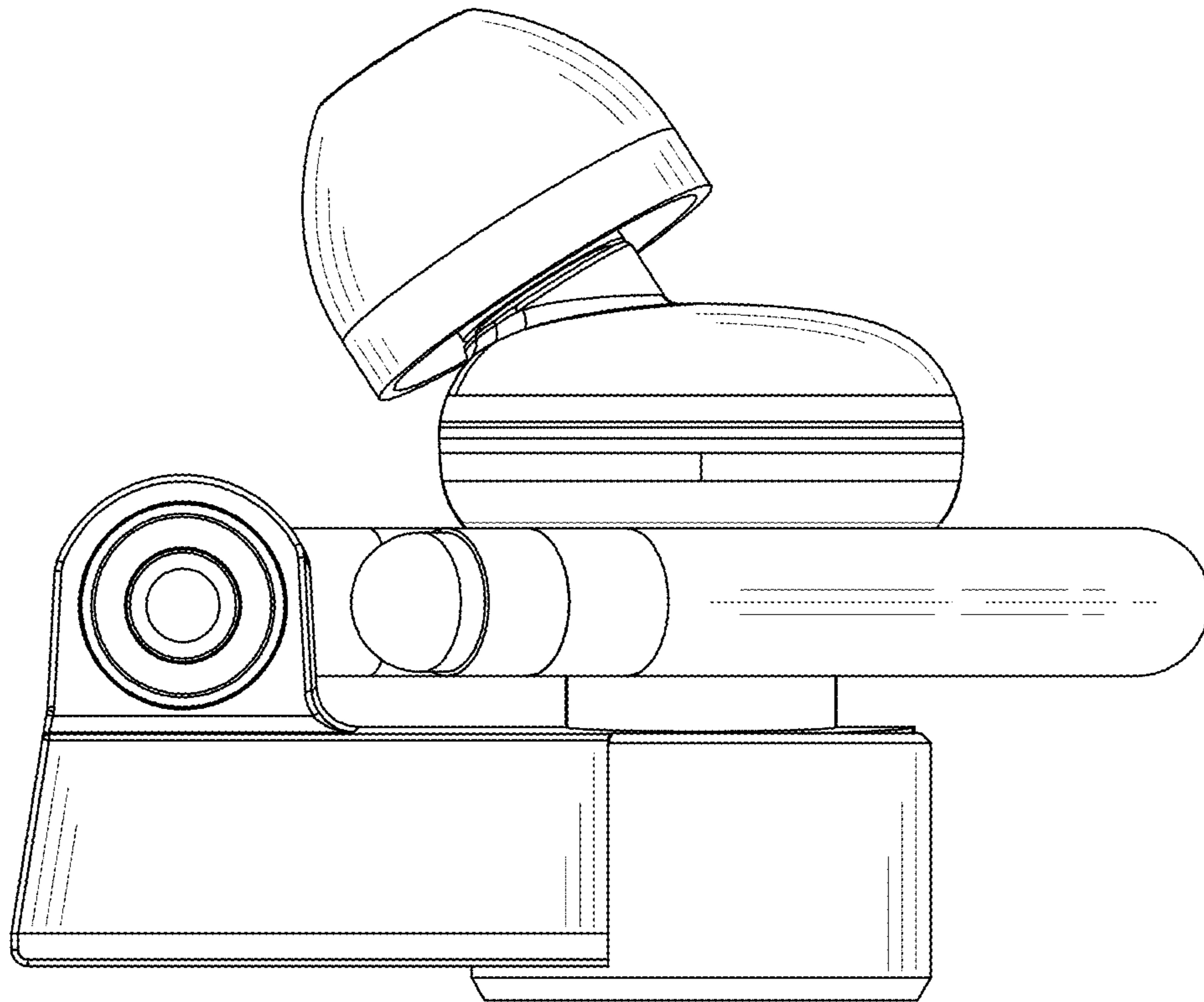


FIG. 6



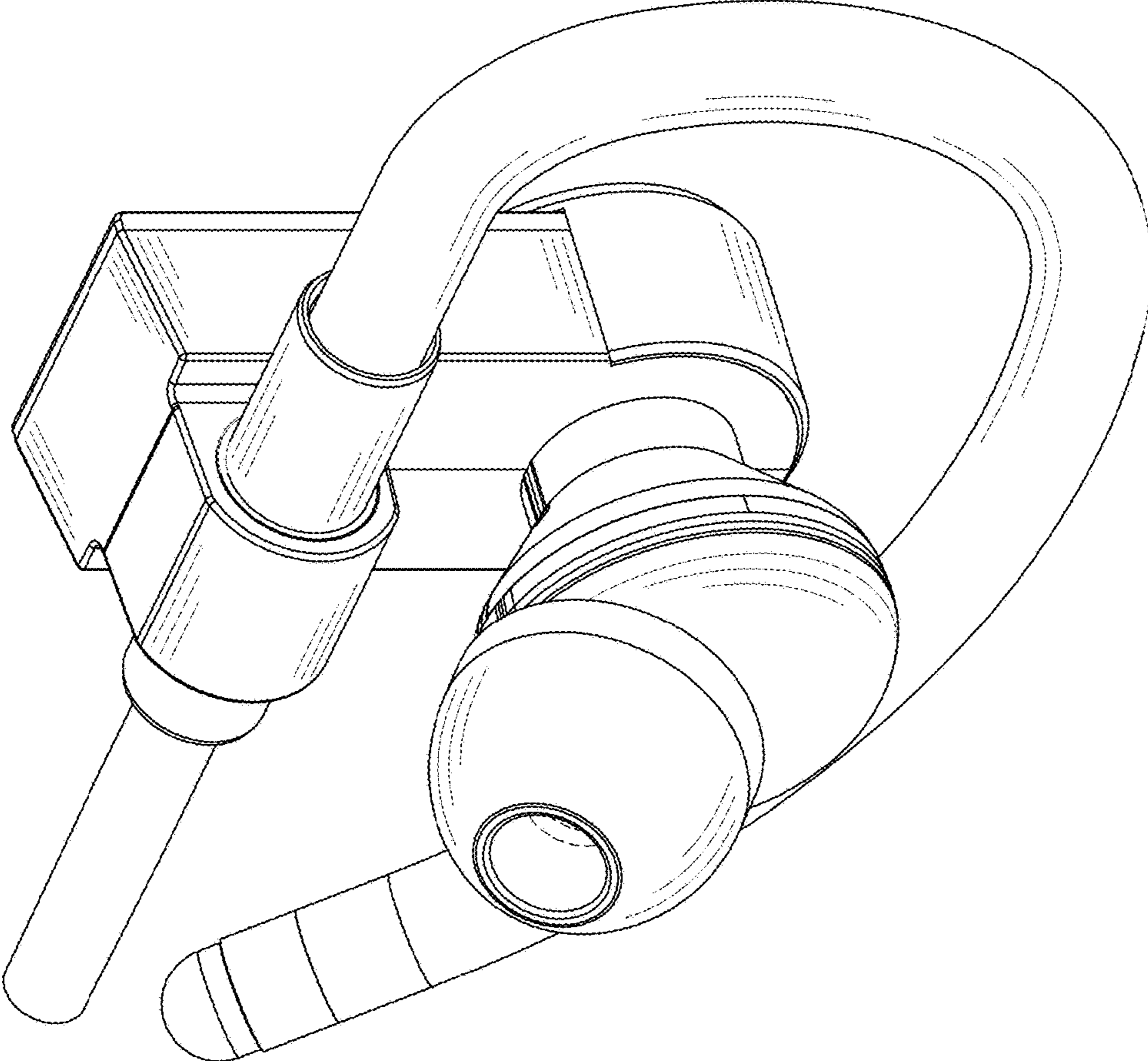


FIG. 7

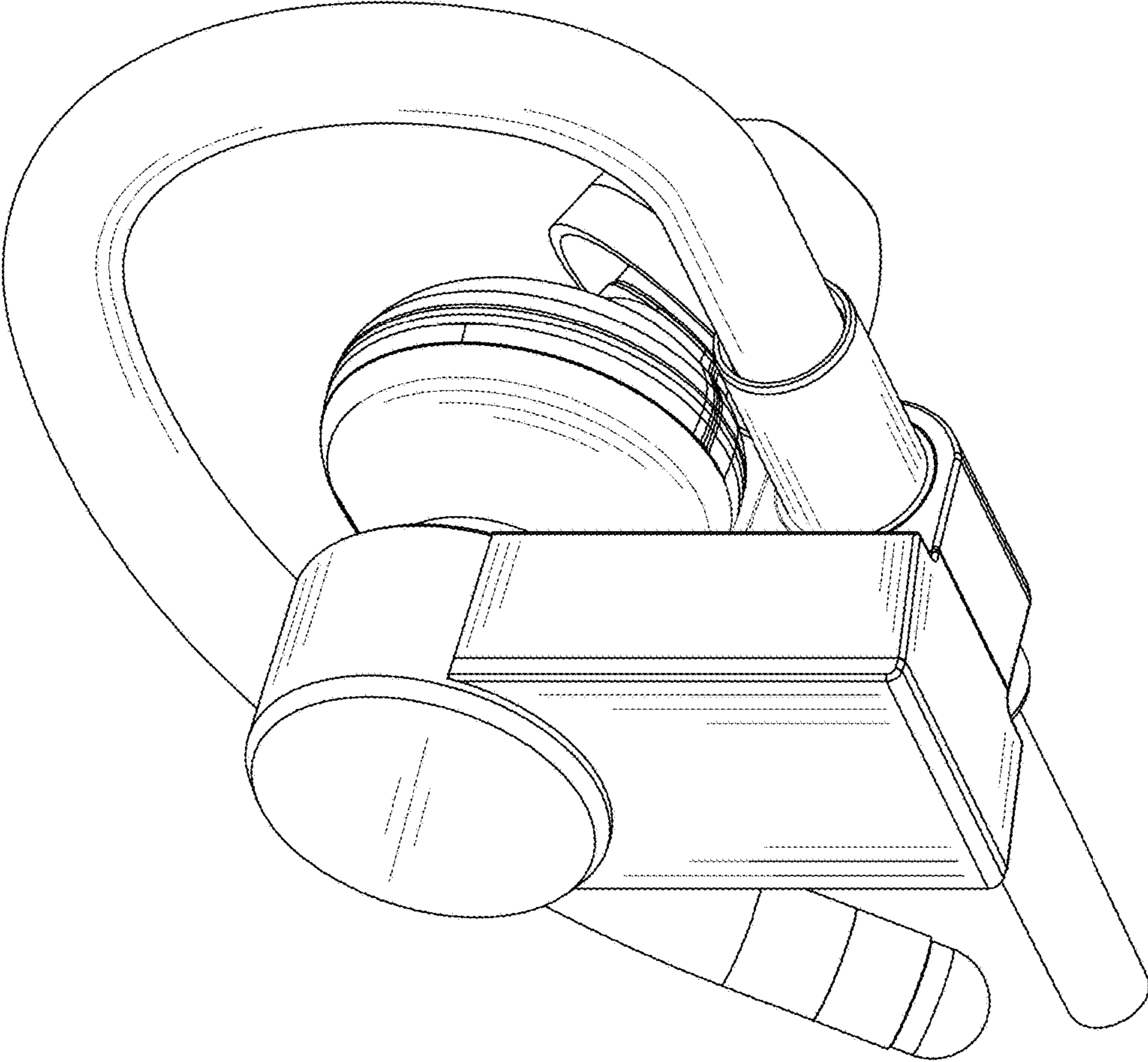


FIG. 8