



US00D817300S

(12) **United States Design Patent** (10) **Patent No.:** **US D817,300 S**
Bristol et al. (45) **Date of Patent:** **** May 8, 2018**

(54) **ELECTRONIC INPUT DEVICE**

CPC .. A63F 13/00; A63F 13/02; A63F 9/00; G06F 17/00; G06F 19/00

See application file for complete search history.

(71) Applicant: **Oculus VR, LLC**, Menlo Park, CA (US)

(56) **References Cited**

U.S. PATENT DOCUMENTS

(72) Inventors: **Peter Wesley Bristol**, Seattle, WA (US); **Yi-Yaun Chen**, Seattle, WA (US); **Glen Jason Tompkins**, Woodinville, WA (US); **Robert Carey Leonard**, Seattle, WA (US); **Mark Shintaro Ando**, Seattle, WA (US)

5,181,009 A * 1/1993 Perona G04B 37/12 273/DIG. 26
6,192,253 B1 * 2/2001 Charlier H04B 1/385 455/340
7,004,469 B2 * 2/2006 von Goeben A63B 69/004 273/348
7,106,197 B2 * 9/2006 Gaiotto B64D 45/0015 340/539.11

(Continued)

(73) Assignee: **Oculus VR, LLC**, Menlo Park, CA (US)

FOREIGN PATENT DOCUMENTS

(**) Term: **15 Years**

CN HH29000777 2/2017
JP 1551686 S 6/2016

(21) Appl. No.: **29/601,178**

Primary Examiner — Prabhakar G Deshmukh
(74) *Attorney, Agent, or Firm* — Fenwick & West LLP

(22) Filed: **Apr. 19, 2017**

(57) **CLAIM**

(51) **LOC (11) Cl.** **14-03**

The ornamental design for an electronic input device, as shown and described.

(52) **U.S. Cl.**

DESCRIPTION

USPC **D14/203.3**; D14/496; D14/203.5; D21/333

(58) **Field of Classification Search**

USPC D14/496, 401, 435, 474, 483, 217, 137, D14/138, 160, 168, 356, 203.1–203.8, D14/507; 345/156, 169, 173–179, 905; 715/727–729, 864, 700, 706, 719; 710/1, 710/5, 8; 713/1, 600; 455/1.1, 1.7, 73, 455/344–347, 93, 95, 3.01–3.06, 550.1, 455/573.1; 370/342–344; 369/1, 2, 369/6–12; 463/51–57, 40–47, 1, 29–35; D21/324, 328, 333; 273/148 B; D10/46.1

FIG. 1 is a perspective view of a first embodiment of an electronic input device;
FIG. 2 is a front view thereof;
FIG. 3 is a rear view thereof;
FIG. 4 is a left side view thereof;
FIG. 5 is a right side view thereof;
FIG. 6 is a top view thereof; and
FIG. 7 is a bottom view thereof.
FIG. 8 is a perspective view of a second embodiment of an electronic input device;
FIG. 9 is a front view thereof;
FIG. 10 is a rear view thereof;
FIG. 11 is a left side view thereof;
FIG. 12 is a right side view thereof;

(Continued)

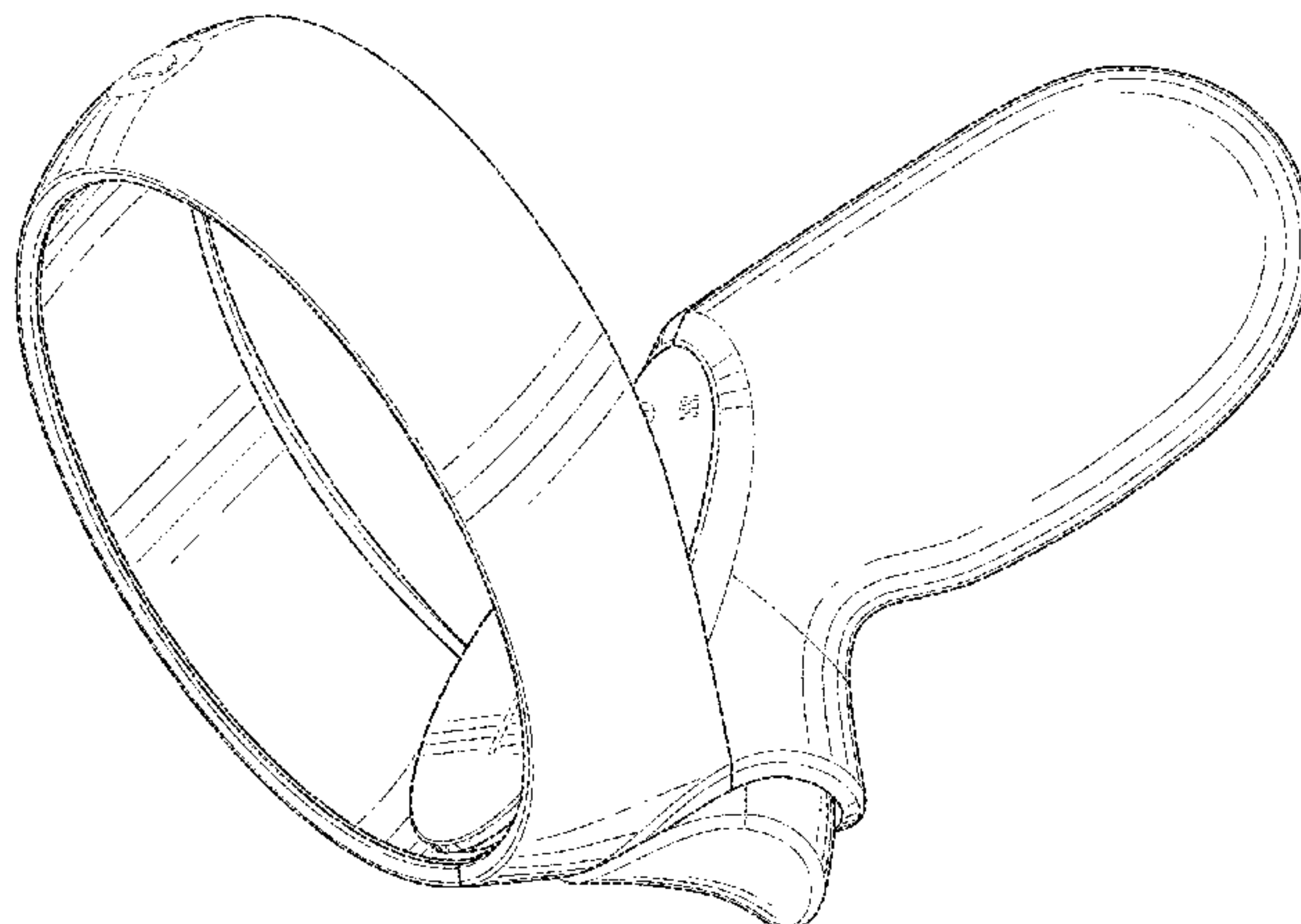


FIG. 13 is a top view thereof; and,
FIG. 14 is a bottom view thereof.
The broken lines in the figures form no part of the claimed design.

1 Claim, 14 Drawing Sheets

(56)

References Cited

U.S. PATENT DOCUMENTS

8,064,972	B2 *	11/2011	McLoone	A63F 13/02
					455/41.2
8,188,842	B2 *	5/2012	Otsuka	G08C 17/02
					340/12.15
9,141,087	B2 *	9/2015	Brown	G04F 10/00
D772,986	S *	11/2016	Chen	D14/203.3
D780,807	S *	3/2017	Chen	D14/203.3
D795,959	S *	8/2017	Chen	D14/203.3
D800,841	S *	10/2017	Chen	D21/333
D802,055	S *	11/2017	Chen	D21/333

* cited by examiner

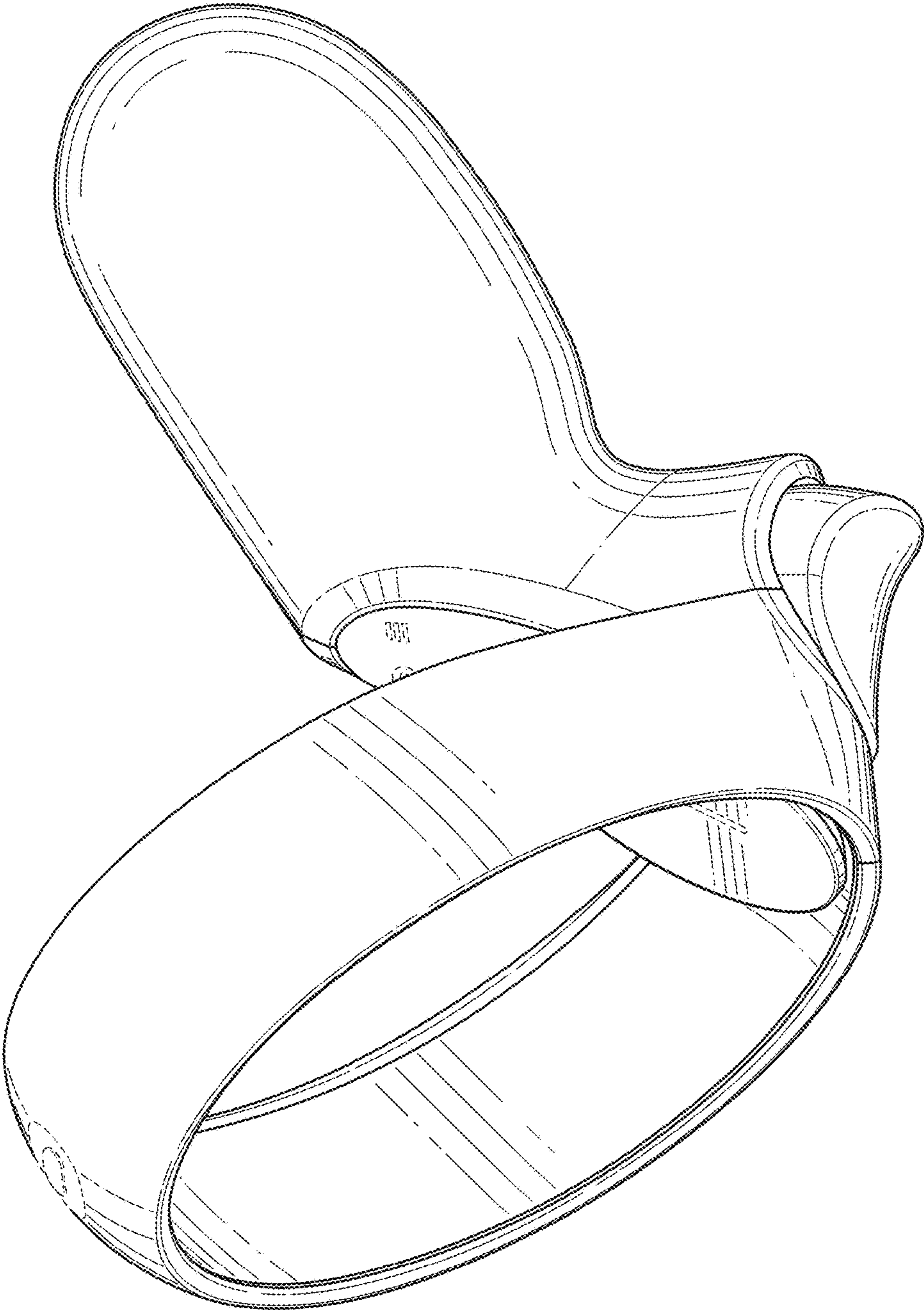


FIG. 1

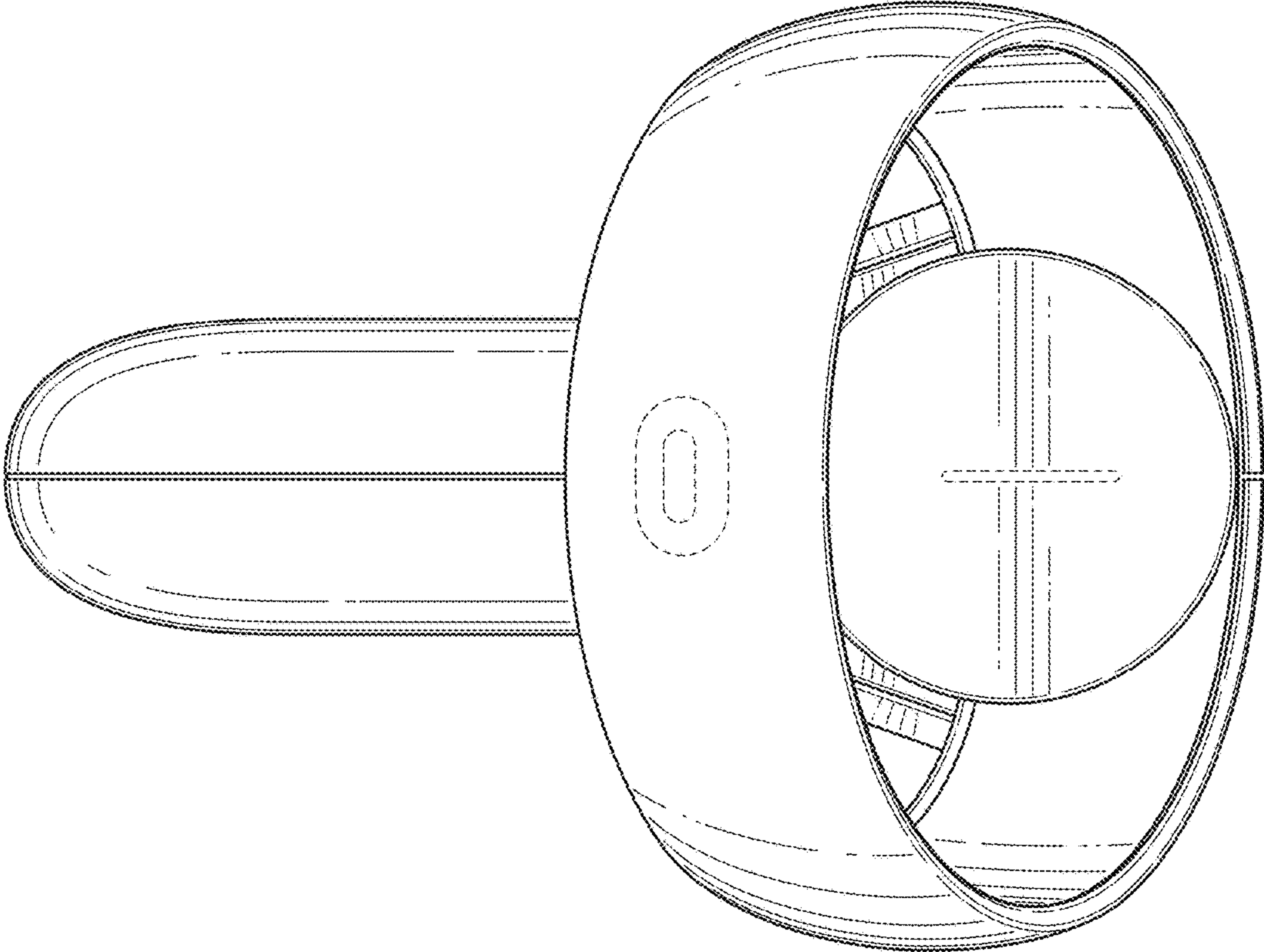


FIG. 2

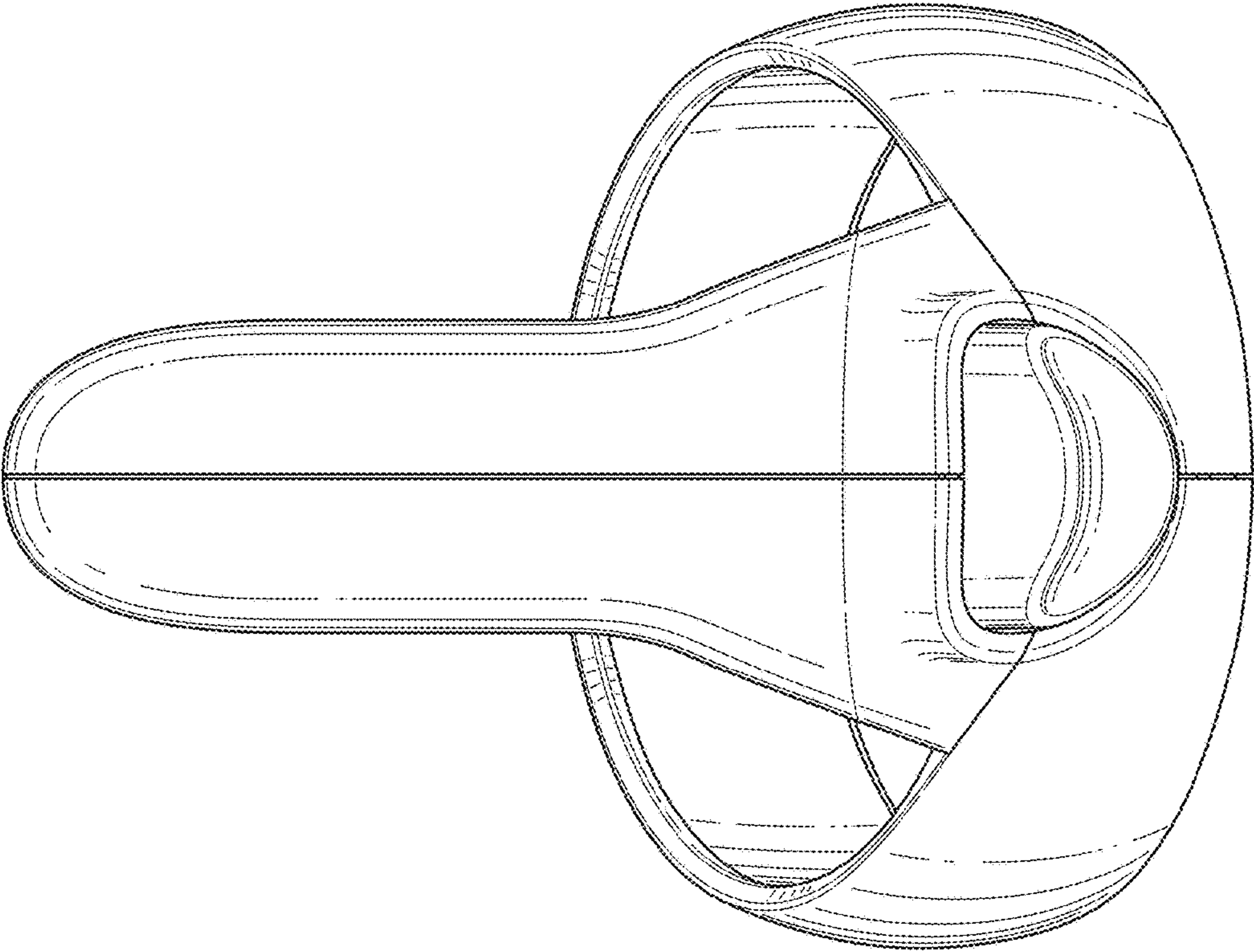


FIG. 3

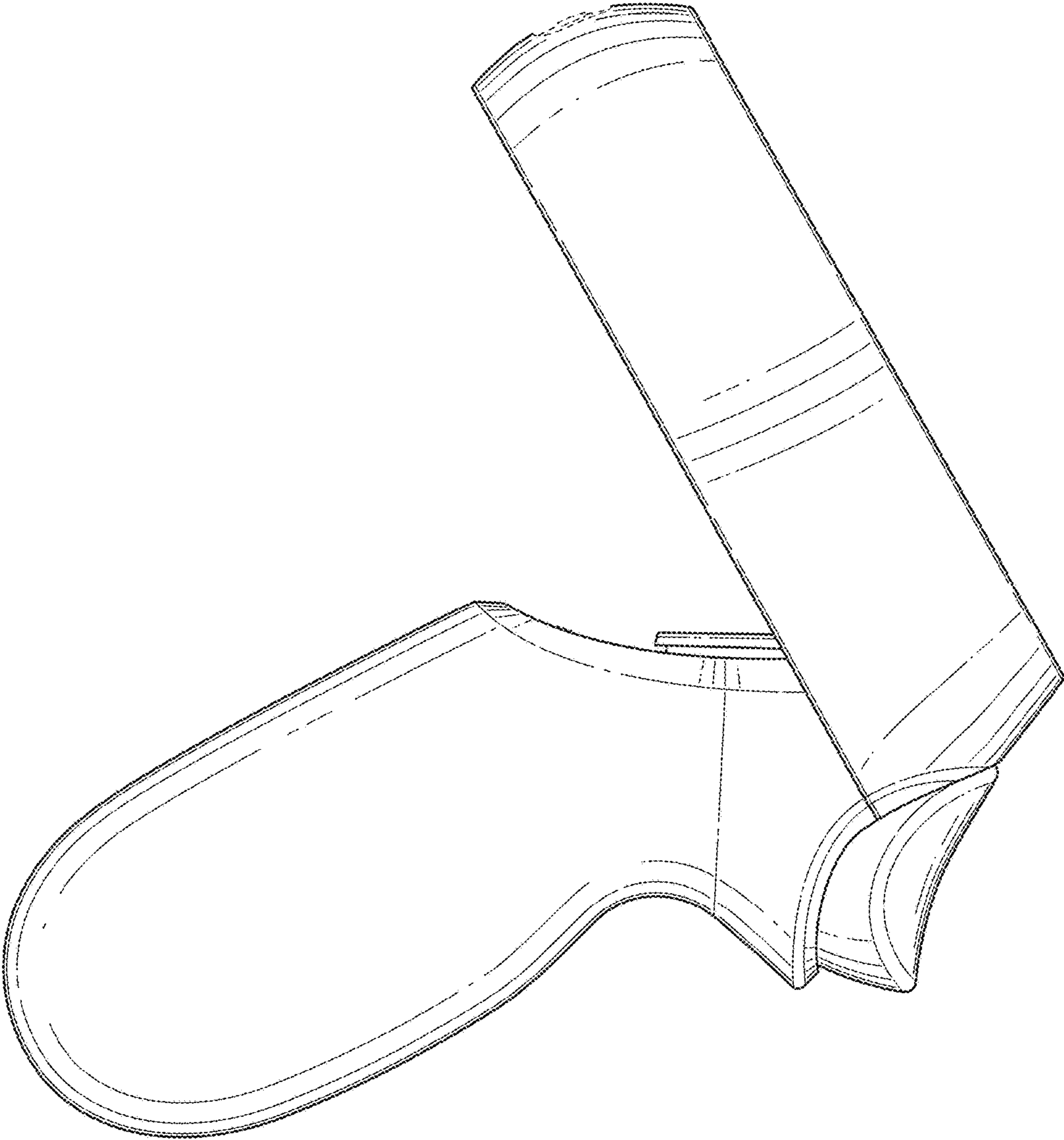


FIG. 4

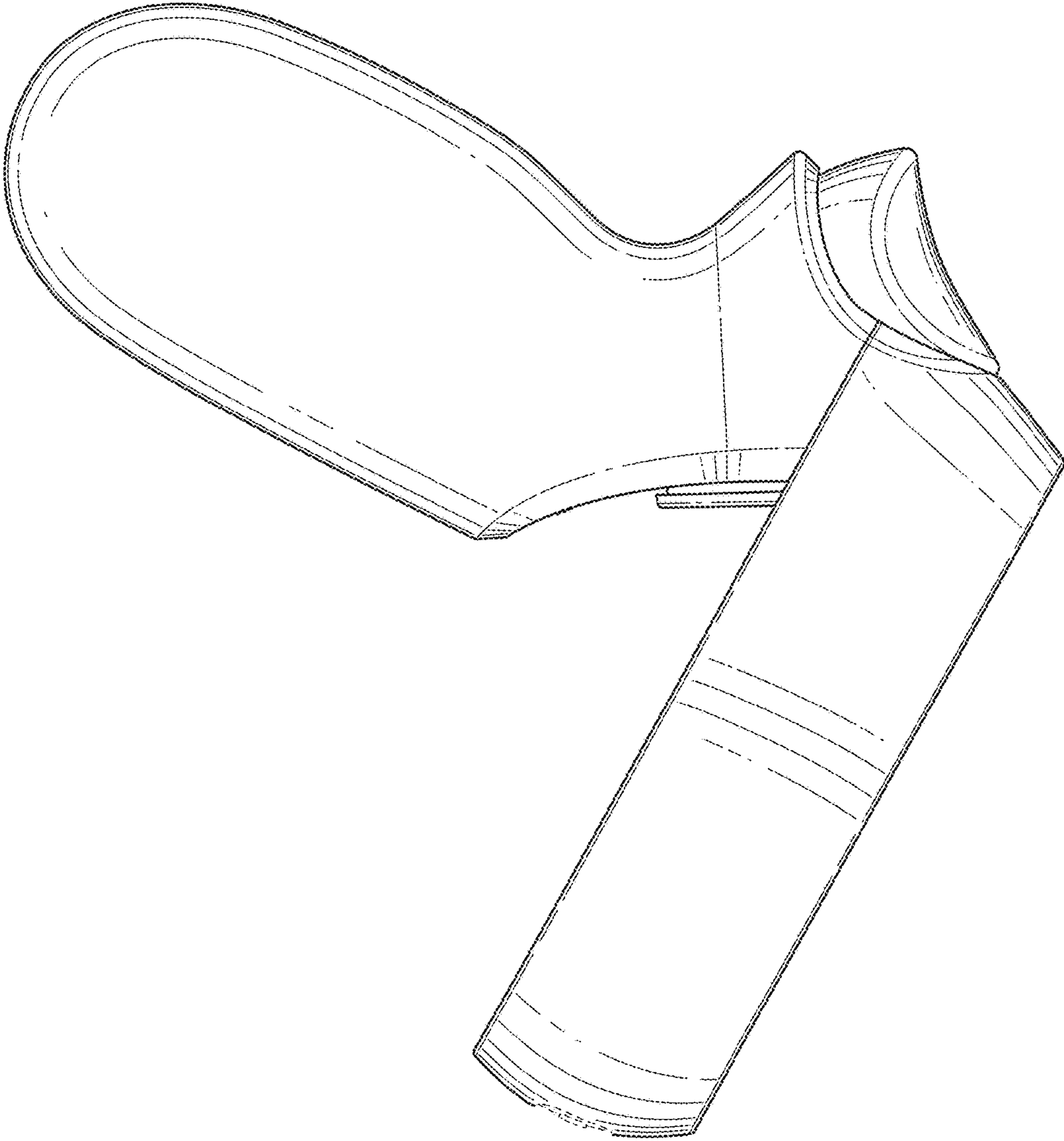


FIG. 5

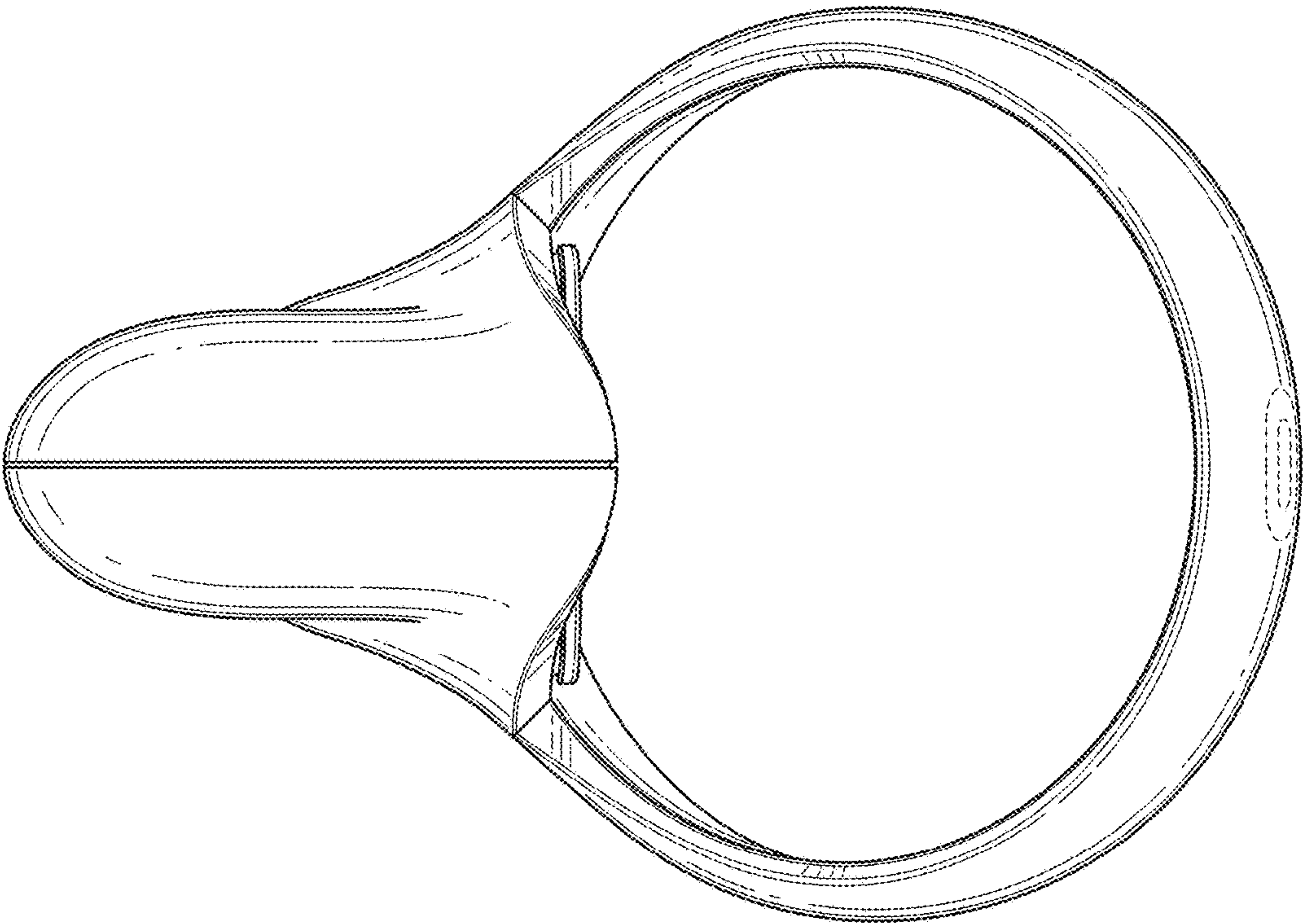


FIG. 6

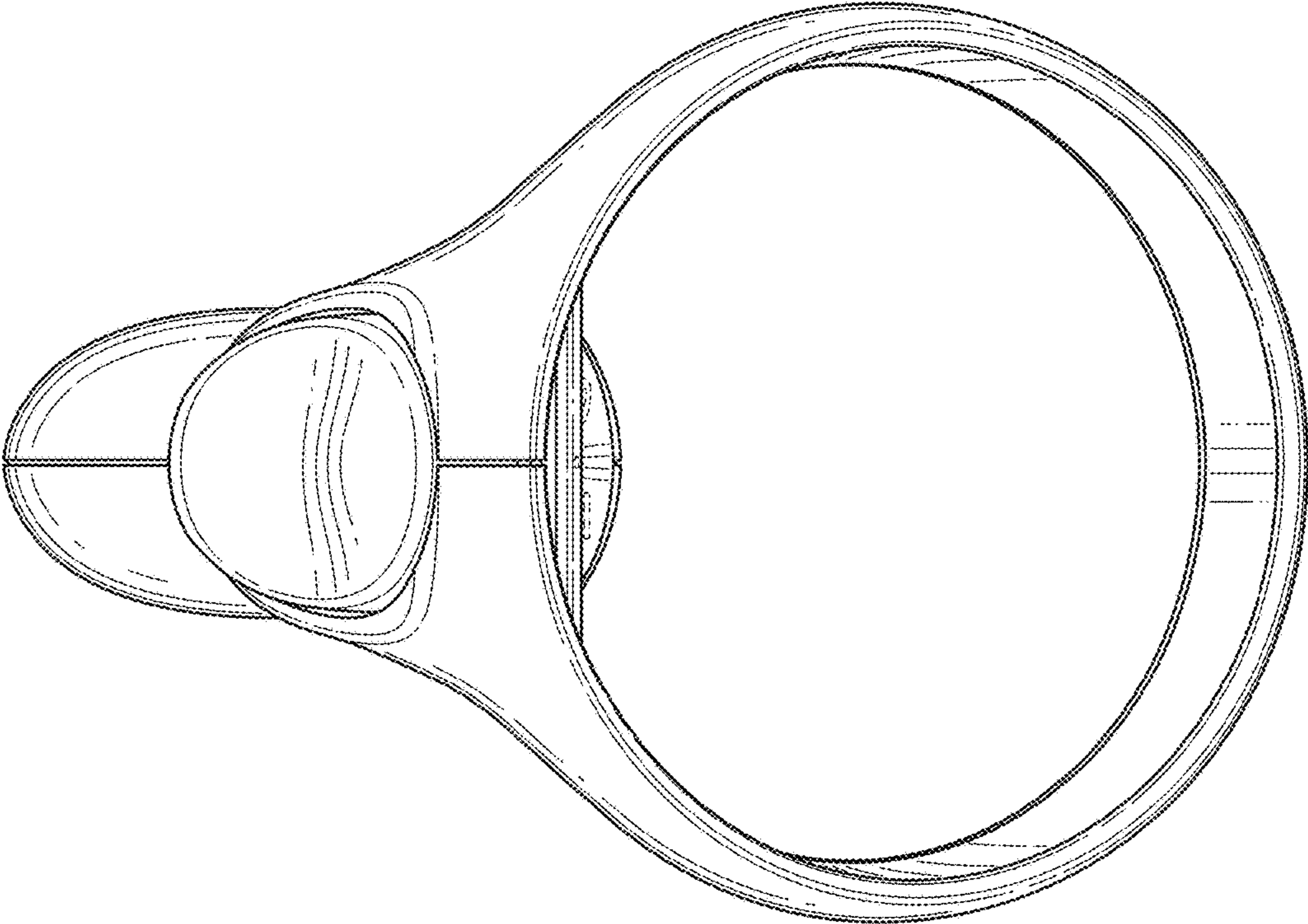


FIG. 7

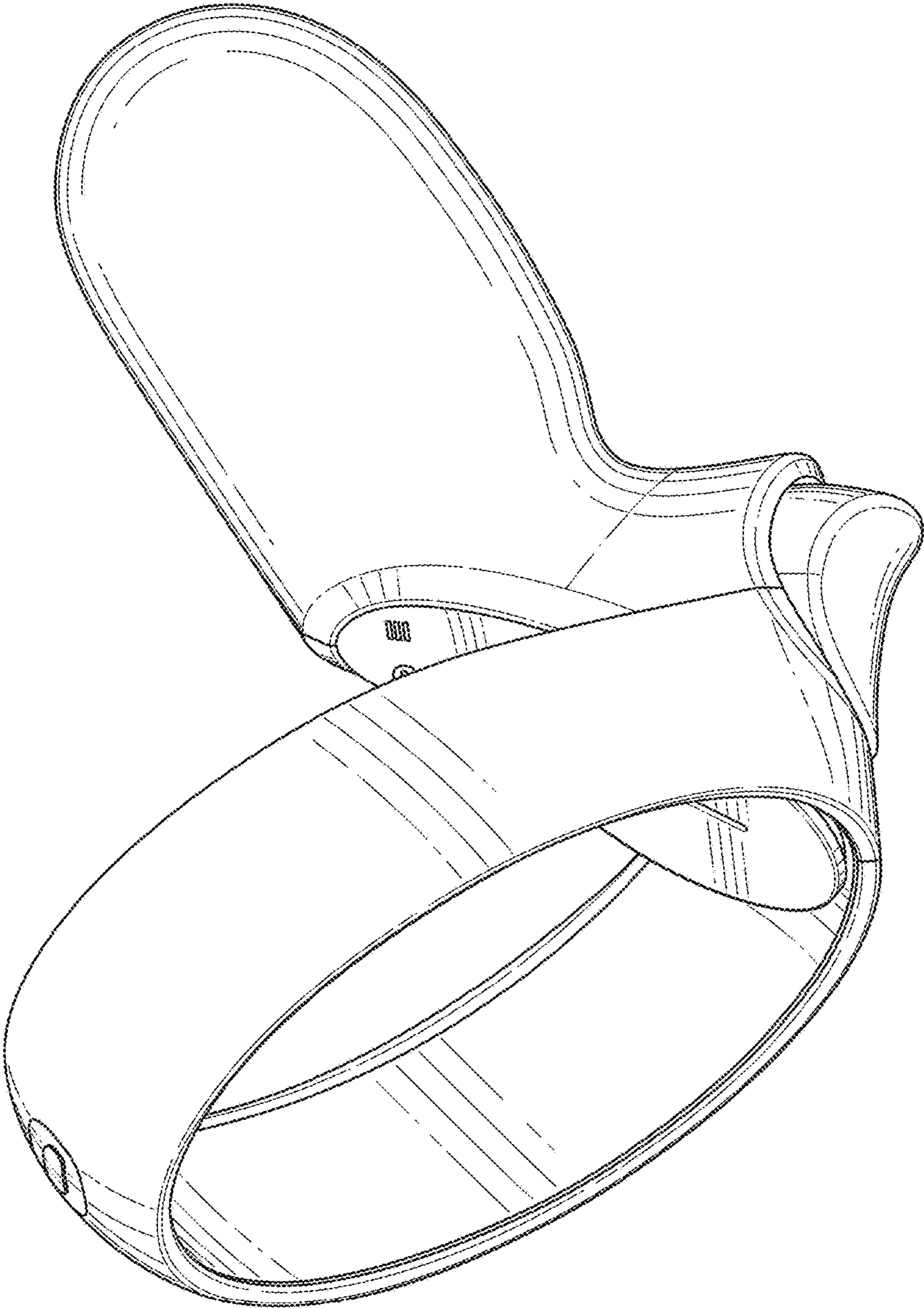


FIG. 8

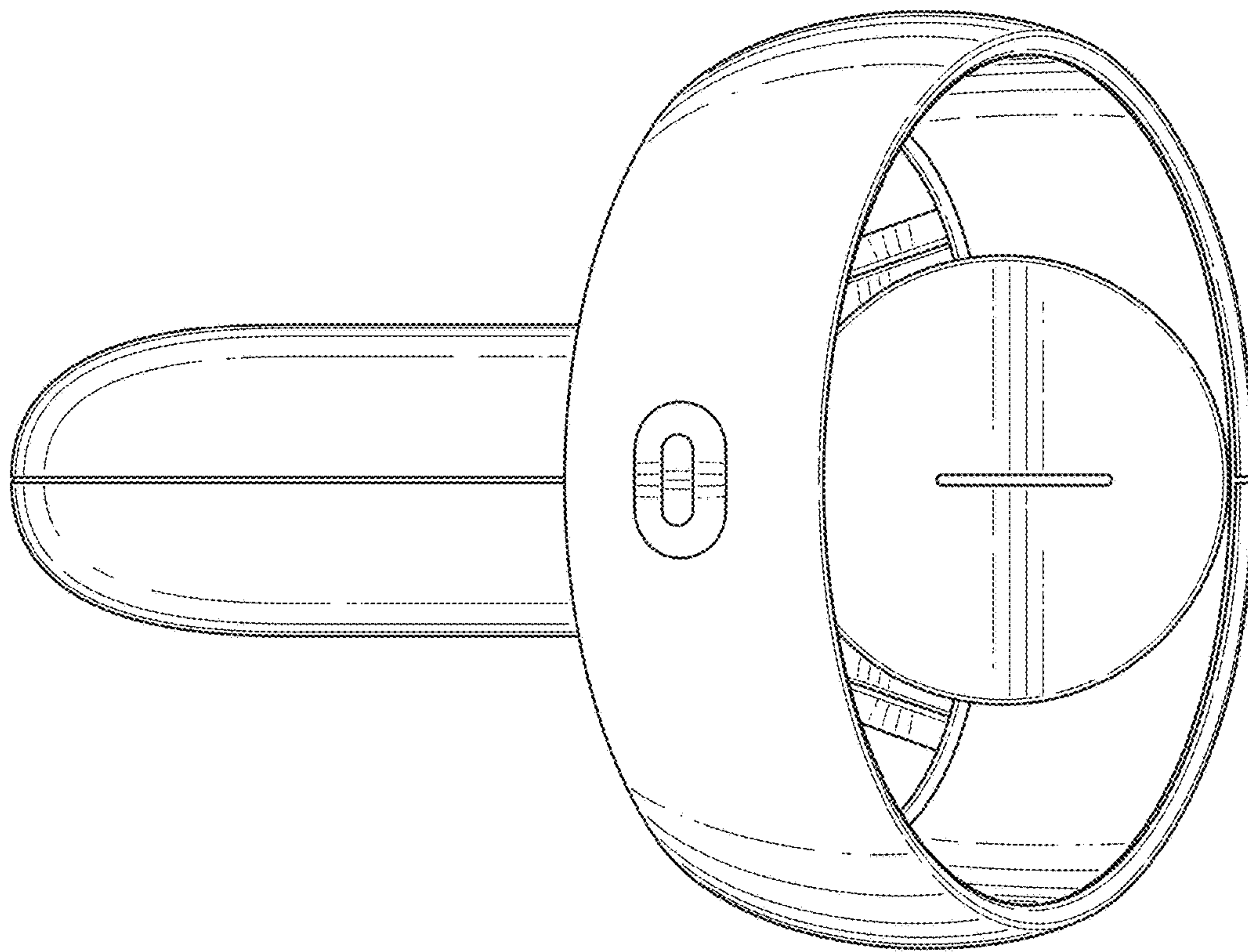


FIG. 9

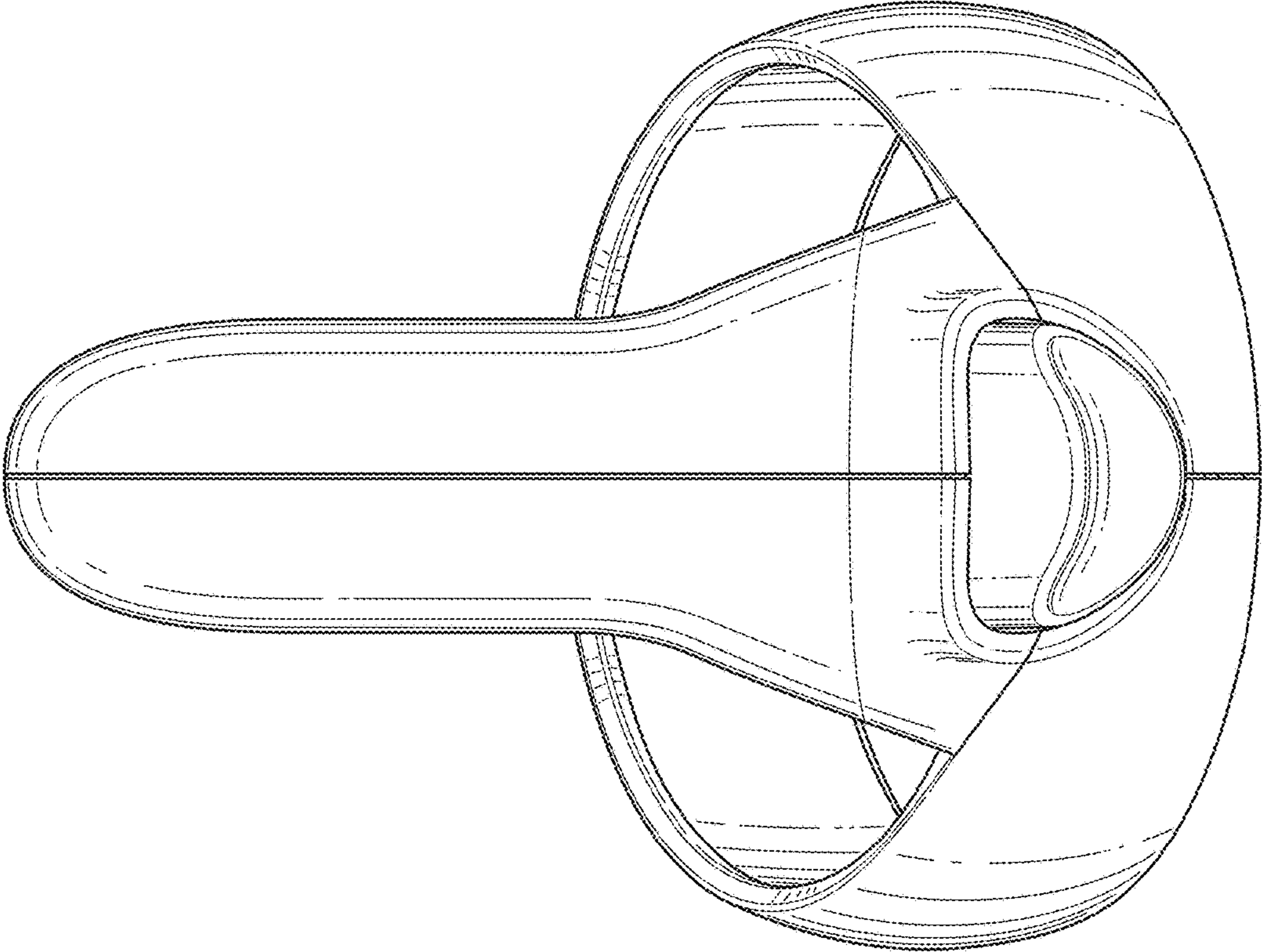


FIG. 10

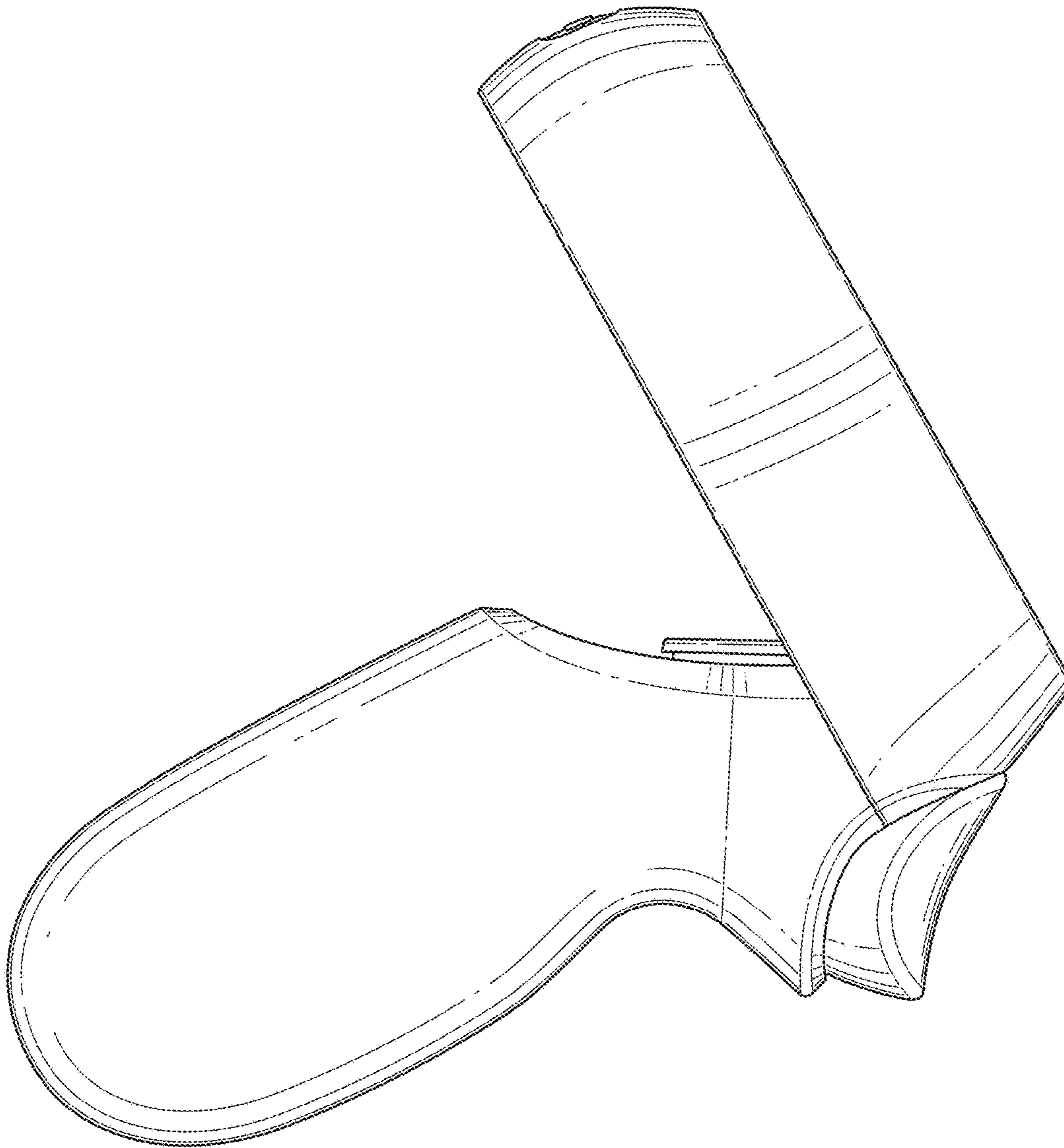


FIG. 11

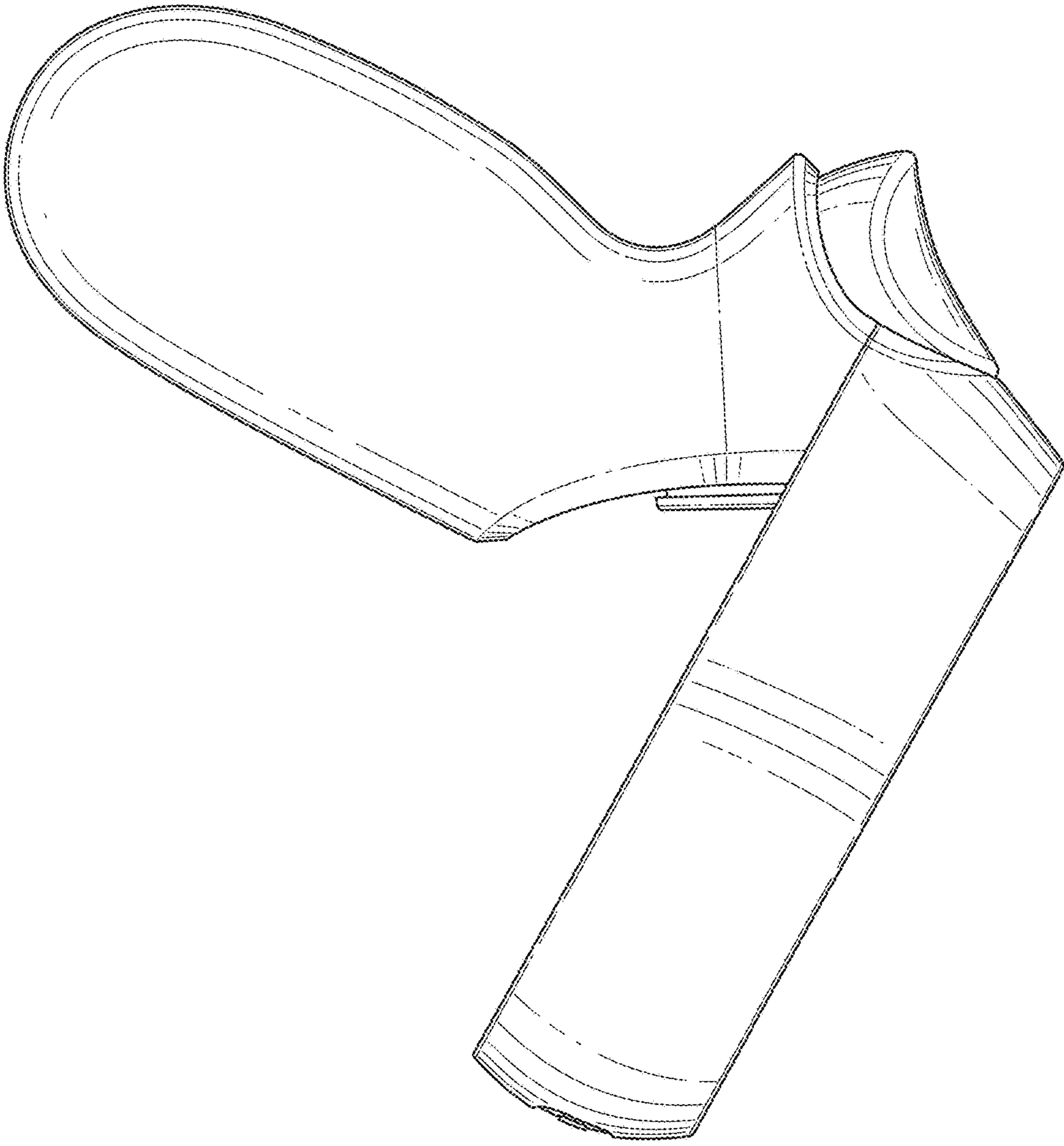


FIG. 12

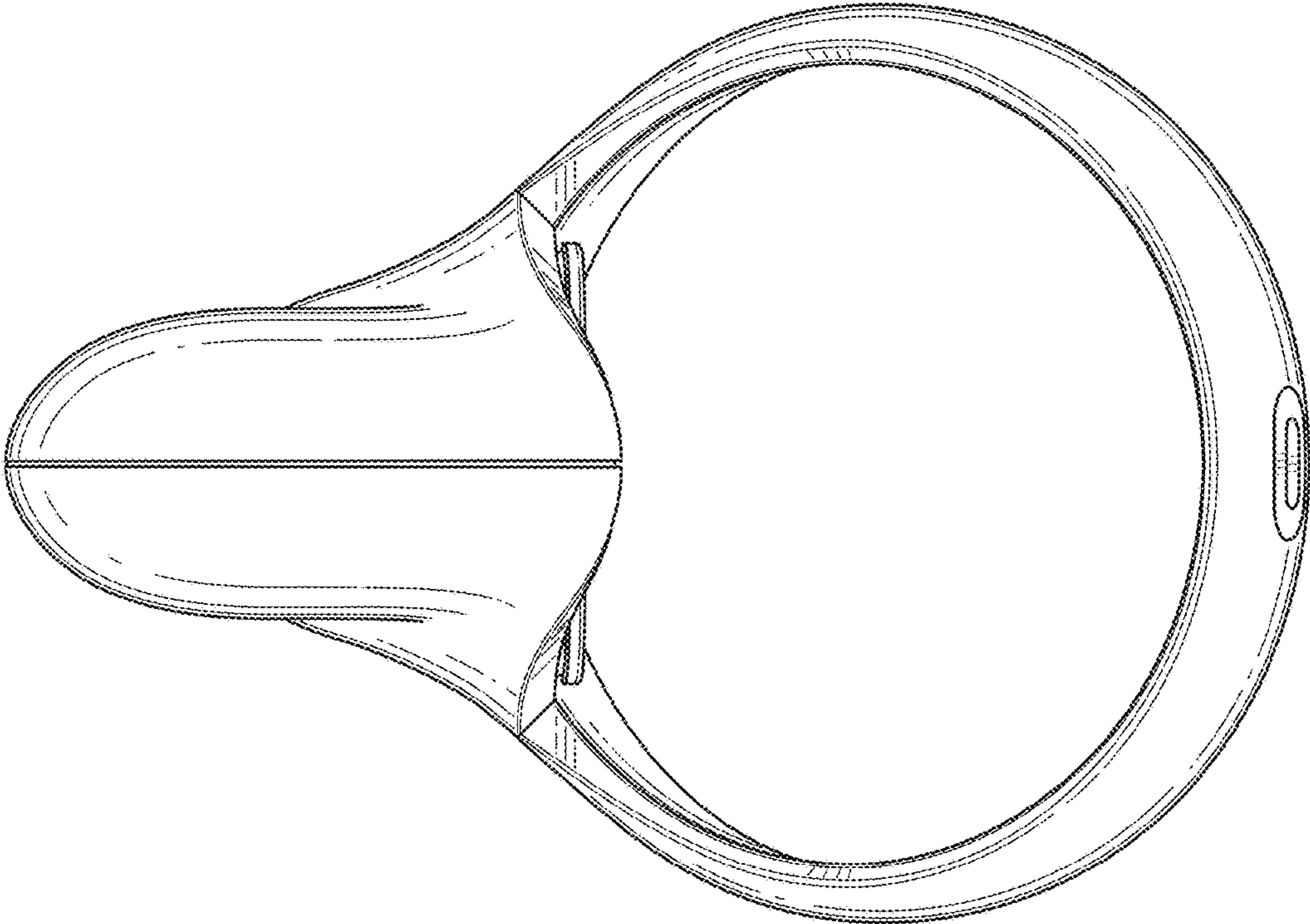


FIG. 13

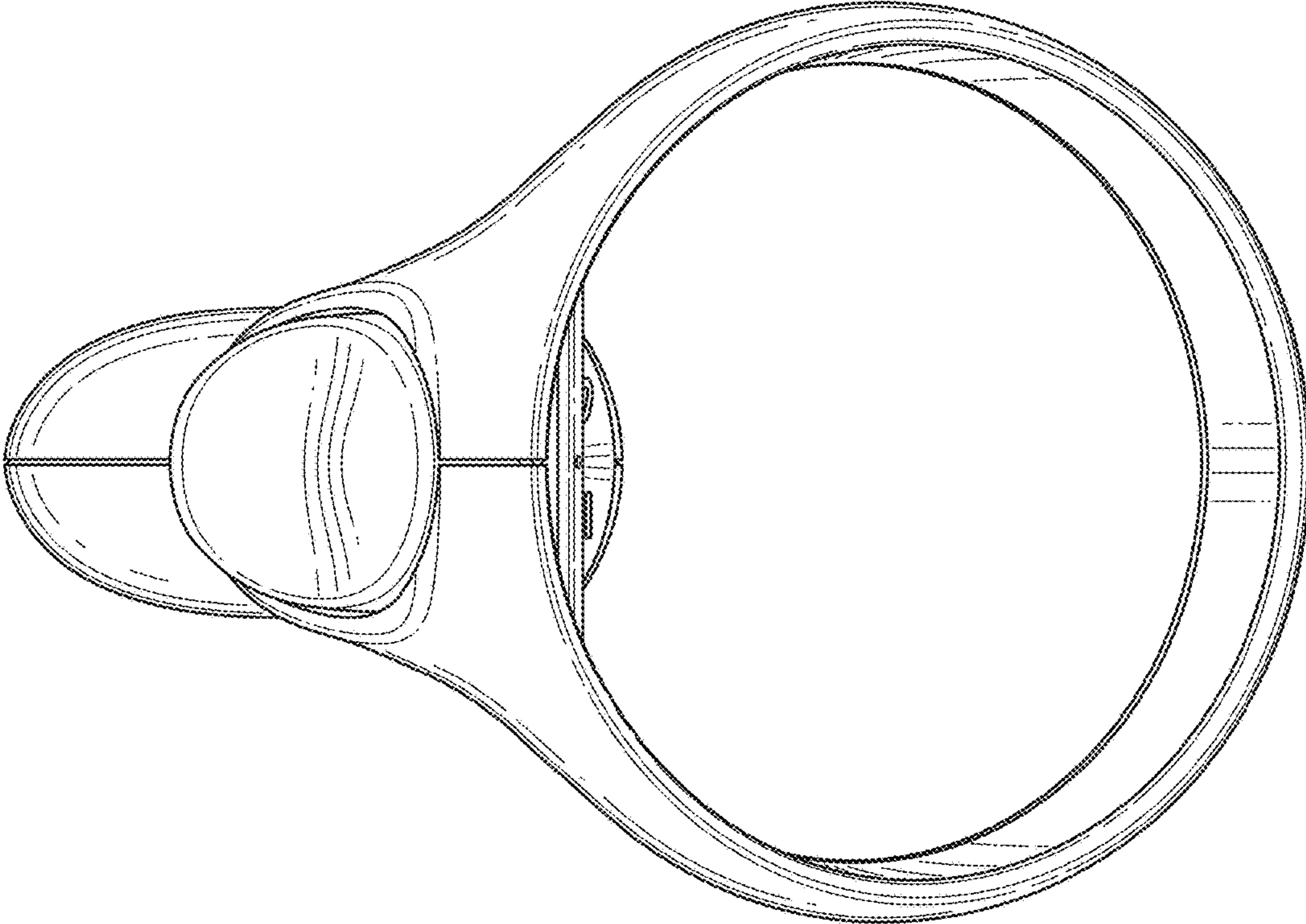


FIG. 14