



US00D817298S

(12) **United States Design Patent** (10) **Patent No.:** **US D817,298 S**  
**Adachi et al.** (45) **Date of Patent:** **\*\* May 8, 2018**

(54) **AUTO TRANSLATION MACHINE**  
(71) Applicant: **Panasonic Intellectual Property Management Co., Ltd., Osaka (JP)**  
(72) Inventors: **Yusuke Adachi, Osaka (JP); Takayuki Hayashi, Kyoto (JP); Takanori Kawasaki, Tokyo (JP); Eiichi Shibata, Tokyo (JP); Shinobu Fusa, Osaka (JP)**  
(73) Assignee: **Panasonic Intellectual Property Management Co., Ltd., Osaka (JP)**  
(\*\*) Term: **15 Years**

D349,251 S \* 8/1994 Goto ..... D10/30  
D389,768 S \* 1/1998 Krauss ..... D10/128  
D417,465 S \* 12/1999 Kreitz ..... D14/192  
D438,122 S \* 2/2001 Lai ..... D10/30  
D450,599 S \* 11/2001 Blauner ..... D10/30  
D473,472 S \* 4/2003 Wunderman ..... D10/32  
D496,668 S \* 9/2004 Huang ..... D14/203.6  
D514,122 S \* 1/2006 Rodarte ..... D14/203.6  
D531,668 S \* 11/2006 Goodstriker ..... D19/60  
D536,268 S \* 2/2007 Asakawa ..... D10/38  
D577,009 S \* 9/2008 Wilson ..... D14/225  
D582,792 S \* 12/2008 Lalo ..... D10/38  
D594,851 S \* 6/2009 Dai ..... D14/218  
D596,050 S \* 7/2009 Monachon ..... D10/32  
D597,514 S \* 8/2009 Gencarella ..... D14/138 AC  
D607,755 S \* 1/2010 Kummer ..... D10/38  
D608,662 S \* 1/2010 Clerc ..... D10/38

(Continued)

(21) Appl. No.: **29/592,266**  
(22) Filed: **Jan. 27, 2017**  
(30) **Foreign Application Priority Data**

*Primary Examiner* — Susan Bennett Hattan  
*Assistant Examiner* — Marie D. Fast Horse  
(74) *Attorney, Agent, or Firm* — Panasonic IP Management; Kerry S. Culpepper

Dec. 2, 2016 (JP) ..... 2016-026181  
(51) **LOC (11) Cl.** ..... **14-99**  
(52) **U.S. Cl.**  
USPC ..... **D14/158**  
(58) **Field of Classification Search**  
USPC ..... D14/158, 259, 341, 342, 343, 344, 346,  
D14/138 R, 138 AA, 138 G, 191, 426,  
D14/496, 299, 154, 160–165, 167, 168,  
D14/188, 203.1, 203.3, 203.6, 203.7, 217,  
D14/218, 388; D16/208; D19/60;  
D13/168; D24/167, 186; D10/104.1,  
D10/106.1, 30, 37, 38  
CPC ..... G10L 15/00; G10L 15/005; G10L 15/26;  
G10L 13/086; G06F 17/00; G06F  
17/2836; G06F 17/289  
See application file for complete search history.

(57) **CLAIM**

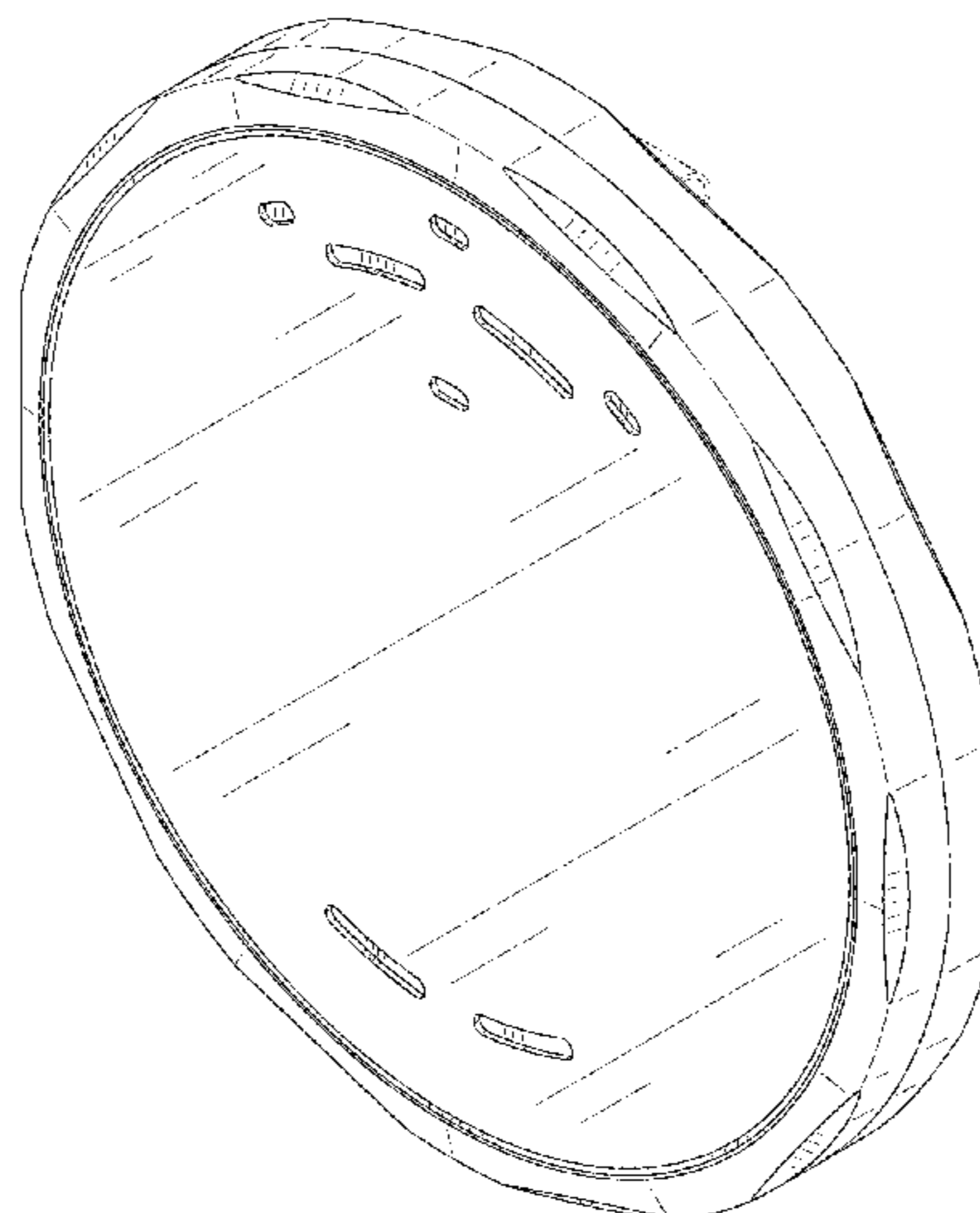
We claim the ornamental design for an auto translation machine, as shown and described.

**DESCRIPTION**

FIG. 1 is a front perspective view of an auto translation machine of the present invention;  
FIG. 2 is a front view thereof;  
FIG. 3 is a rear view thereof;  
FIG. 4 is a first side view thereof;  
FIG. 5 is a second side view thereof;  
FIG. 6 is a top view thereof; and,  
FIG. 7 is a bottom view thereof.  
The broken lines in the drawings depict portions of the auto translation machine that form no part of the claimed design.

(56) **References Cited**  
U.S. PATENT DOCUMENTS  
D274,048 S \* 5/1984 Wong ..... D10/106.1  
D325,207 S \* 4/1992 Dix ..... D14/188

**1 Claim, 7 Drawing Sheets**



(56)

References Cited

U.S. PATENT DOCUMENTS

D608,665 S *	1/2010	Perrenoud	D10/38	D741,283 S *	10/2015	Semana	D14/158
D609,119 S *	2/2010	Clerc	D10/38	D741,306 S *	10/2015	Kester	D14/248
D616,851 S *	6/2010	Roka	D14/138 AD	D741,307 S *	10/2015	Kester	D14/248
D619,117 S *	7/2010	Unruh	D14/496	D759,652 S *	6/2016	Aumiller	D14/344
D621,284 S *	8/2010	Cerrato	D10/38	D762,488 S *	8/2016	Kishino	D10/38
D624,518 S *	9/2010	Li	D14/138 AB	D766,844 S *	9/2016	Turksu	D10/104.1
D652,326 S *	1/2012	Kummer	D10/38	D769,143 S *	10/2016	Warren	D10/106.1
D656,844 S *	4/2012	Clerc	D10/38	D770,430 S *	11/2016	Lee	D14/240
8,155,692 B1 *	4/2012	Roka	H04M 1/0231 455/550.1	D773,330 S *	12/2016	Dietz	D10/106.5
D664,448 S *	7/2012	Graff	D10/38	D773,437 S *	12/2016	Lee	D14/223
D672,664 S *	12/2012	Monachon	D10/32	D775,233 S *	12/2016	Beck	D14/496
D725,493 S *	3/2015	Rimanelli	D10/30	D786,724 S *	5/2017	Seagle, Jr.	D10/106.1
D726,672 S *	4/2015	Olodort	D14/138 G	D788,223 S *	5/2017	Grady	D19/60
D735,712 S *	8/2015	Nishimoto	D14/344	D790,372 S *	6/2017	Daoura	D10/104.1
D738,858 S *	9/2015	Tuhkanen	D14/218	D790,373 S *	6/2017	Daoura	D10/104.1
D740,264 S *	10/2015	Kester	D14/248	D792,861 S *	7/2017	Xu	D14/138 AA
				D794,633 S *	8/2017	Ha	D14/344
				D801,195 S *	10/2017	Monachon	D10/30
				D804,531 S *	12/2017	Beck	D14/496
				D804,533 S *	12/2017	Mangum	D14/496

\* cited by examiner

FIG. 1

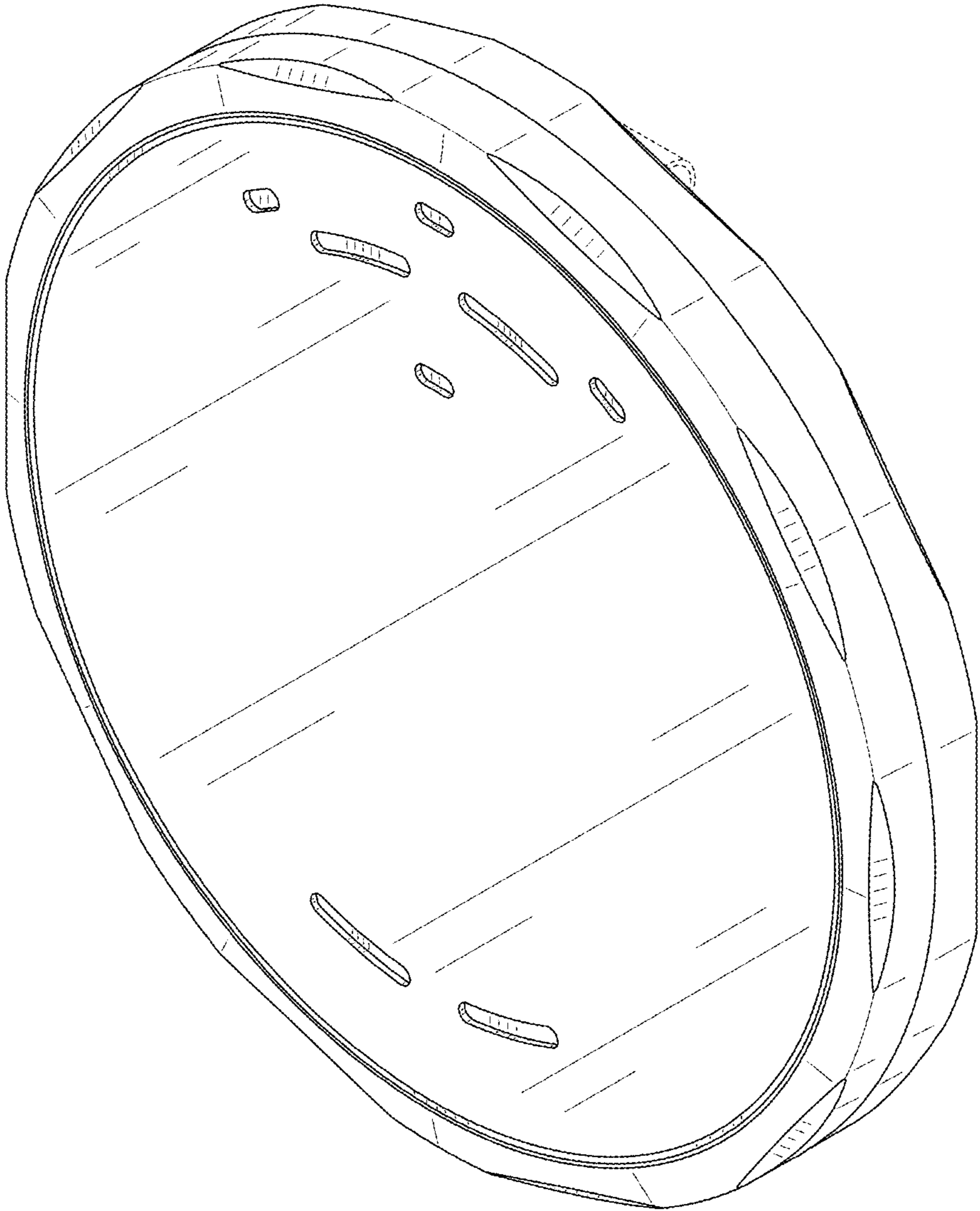


FIG. 2

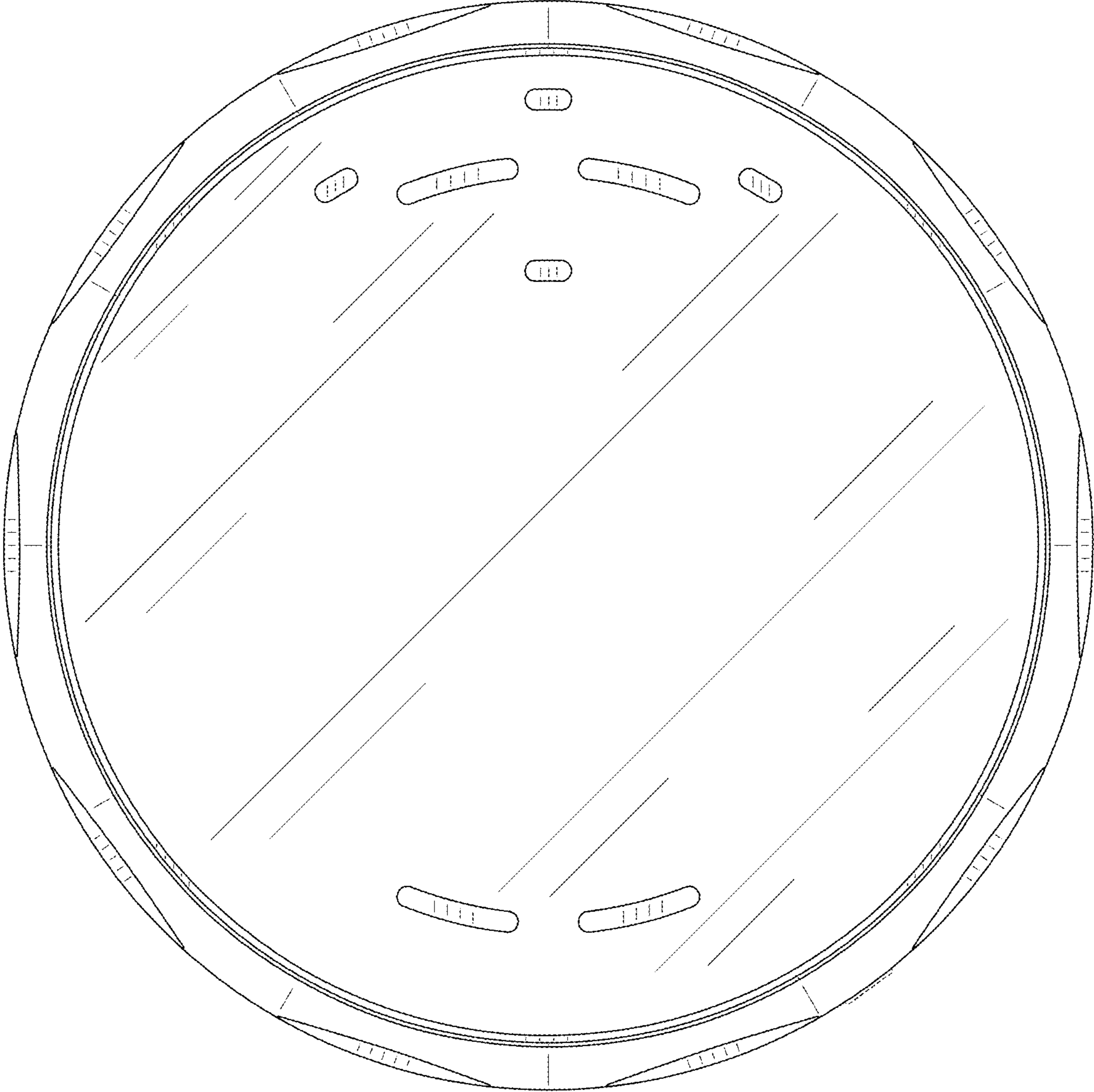


FIG. 3

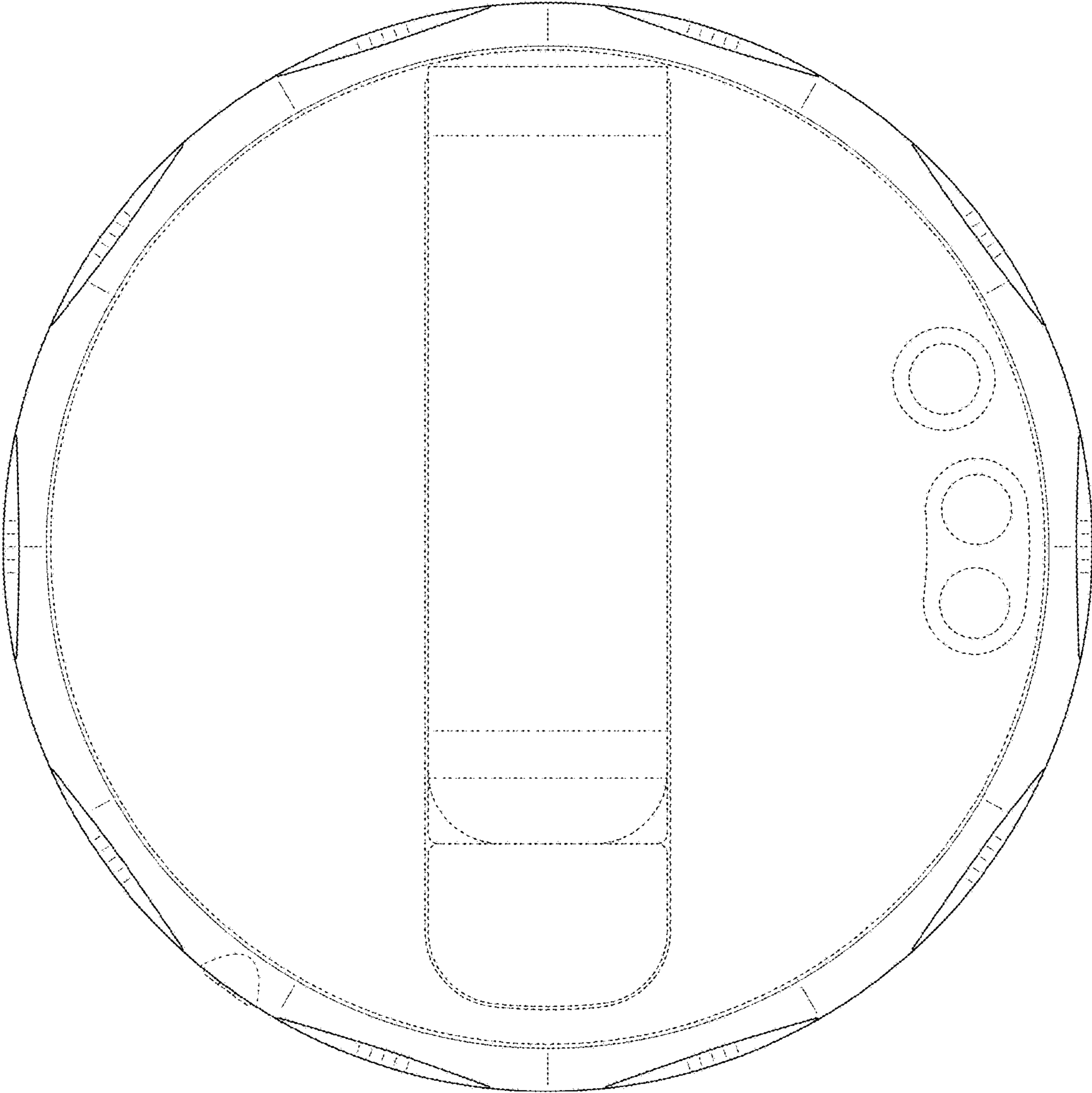


FIG. 4

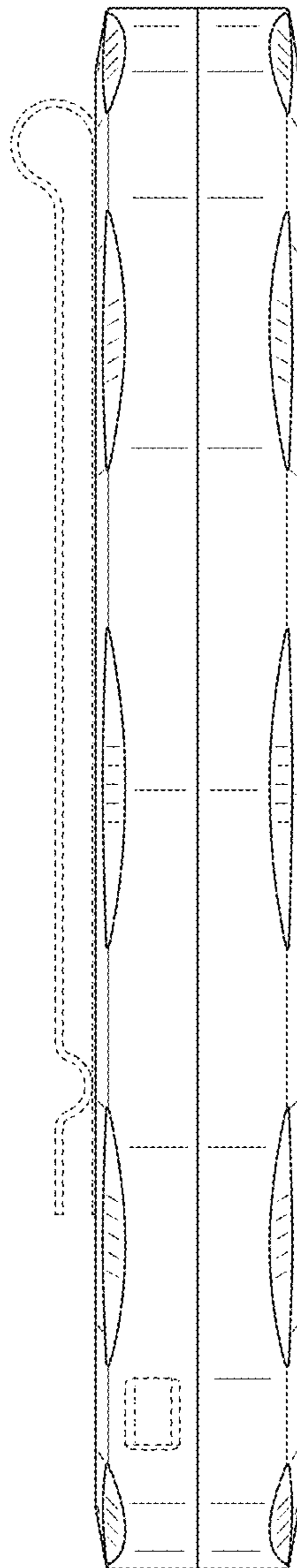


FIG. 5

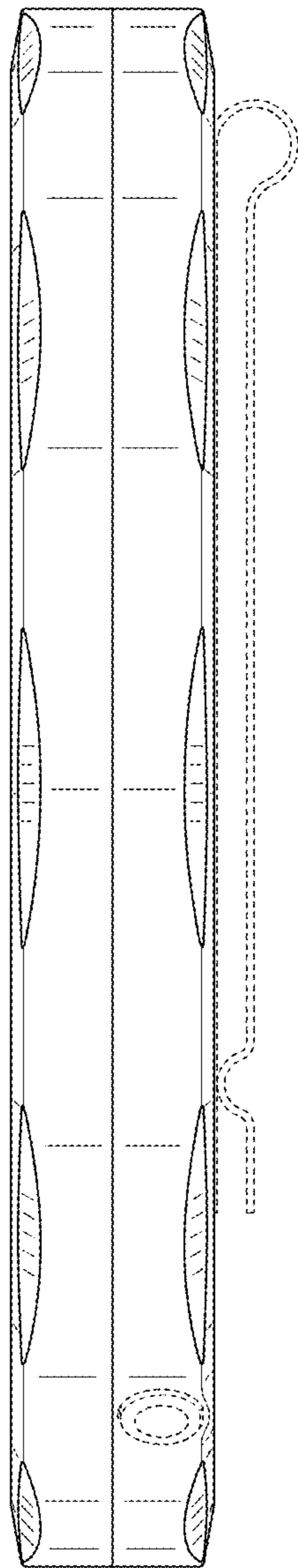


FIG. 6

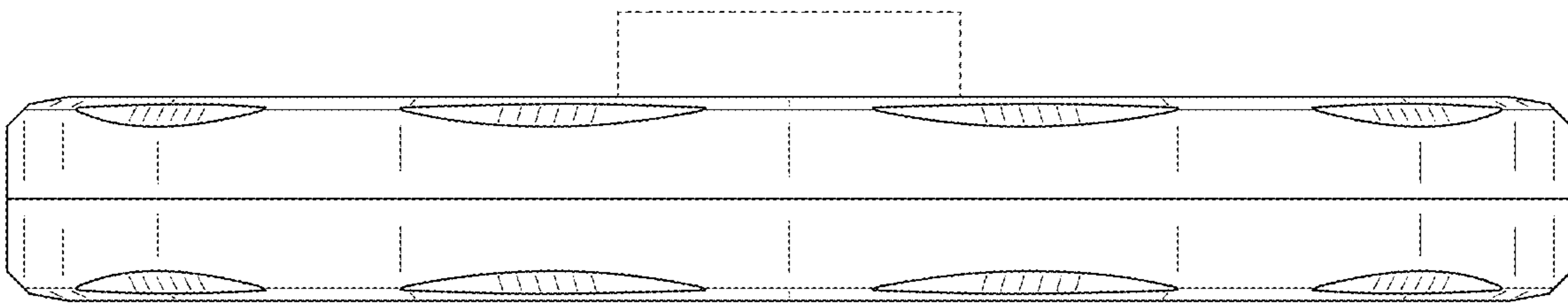




FIG. 7

