



US00D817296S

(12) **United States Design Patent**  
**Kim et al.**

(10) **Patent No.: US D817,296 S**

(45) **Date of Patent: \*\* May 8, 2018**

(54) **TV RECEIVER**

G06F 1/1637; H04N 5/64; H05K 5/0017;  
H05K 5/0204

See application file for complete search history.

(71) Applicant: **LG ELECTRONICS INC.**, Seoul  
(KR)

(56) **References Cited**

(72) Inventors: **Huisik Kim**, Seoul (KR); **Hodong Hwang**, Seoul (KR)

U.S. PATENT DOCUMENTS

(73) Assignee: **LG ELECTRONICS INC.**, Seoul  
(KR)

D626,923 S \* 11/2010 Yoshimura ..... D14/126  
D694,208 S \* 11/2013 Duys ..... D14/126  
D725,616 S \* 3/2015 Oh ..... D14/126

(Continued)

(\*\*) Term: **15 Years**

OTHER PUBLICATIONS

(21) Appl. No.: **35/502,745**

Hot Tips for Buying a Cool TV, Part 3-A: Wall Mount or Stand, posted at Samsung Global Newsroom, posting date Dec. 11, 2015. [online] [site visited Feb. 28, 2018]. Available from Internet. <URL: <https://news.samsung.com/global/hot-tips-for-choosing-a-cool-tv-part-3-a-wall-mount-or-stand>> (Year: 2015).\*

(22) Filed: **Oct. 6, 2016**

(Continued)

(80) **Hague Agreement Data**

*Primary Examiner* — George D. Kirschbaum

Int. Filing Date: **Oct. 6, 2016**

*Assistant Examiner* — Kathleen L Jones

Int. Reg. No.: **DM/092976**

(74) *Attorney, Agent, or Firm* — Birch, Stewart, Kolasch & Birch, LLP

Int. Reg. Date: **Oct. 6, 2016**

Int. Reg. Pub. Date: **Apr. 7, 2017**

(57) **CLAIM**

The ornamental design for a TV receiver, as shown and described.

(30) **Foreign Application Priority Data**

**DESCRIPTION**

Apr. 14, 2016 (KR) ..... 30-2016-0017669

(51) **LOC (11) Cl.** ..... **14-03**

(52) **U.S. Cl.**

USPC ..... **D14/126**

(58) **Field of Classification Search**

USPC ..... D14/125-134, 239, 336, 371, 373-377,

D14/447, 448, 450, 451, 452; D21/329,

D21/332, 515; D10/26; D6/300, 310,

D6/643, 698, 700-701

CPC ..... G06F 1/1692; G06F 1/165; G06F 1/1601;

1. TV receiver

**1.1** is a front perspective view of a TV receiver.

**1.2** is a rear perspective view thereof.

**1.3** is a front view thereof.

**1.4** is a back view thereof.

**1.5** is a left side view thereof.

**1.6** is a right side view thereof.

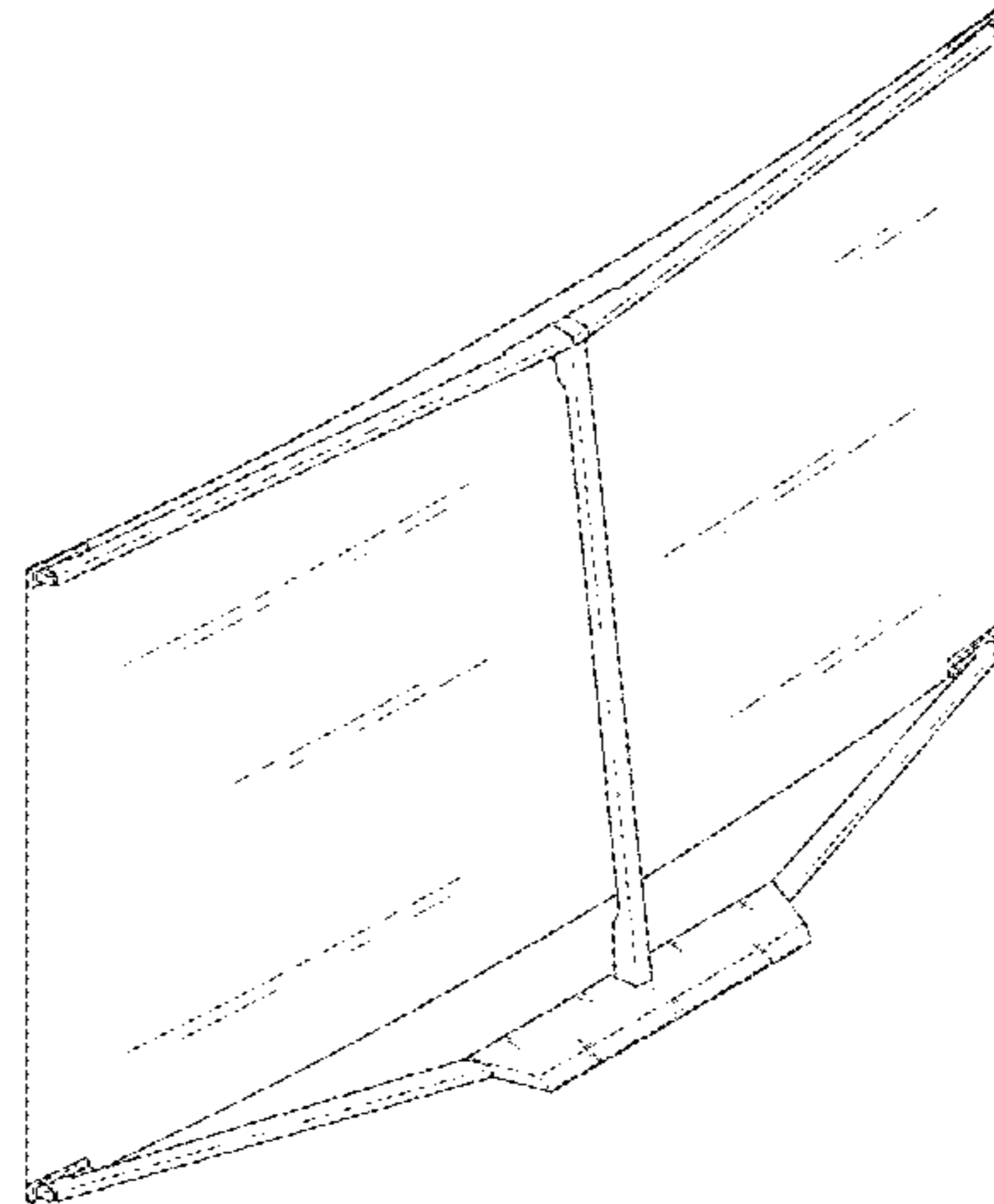
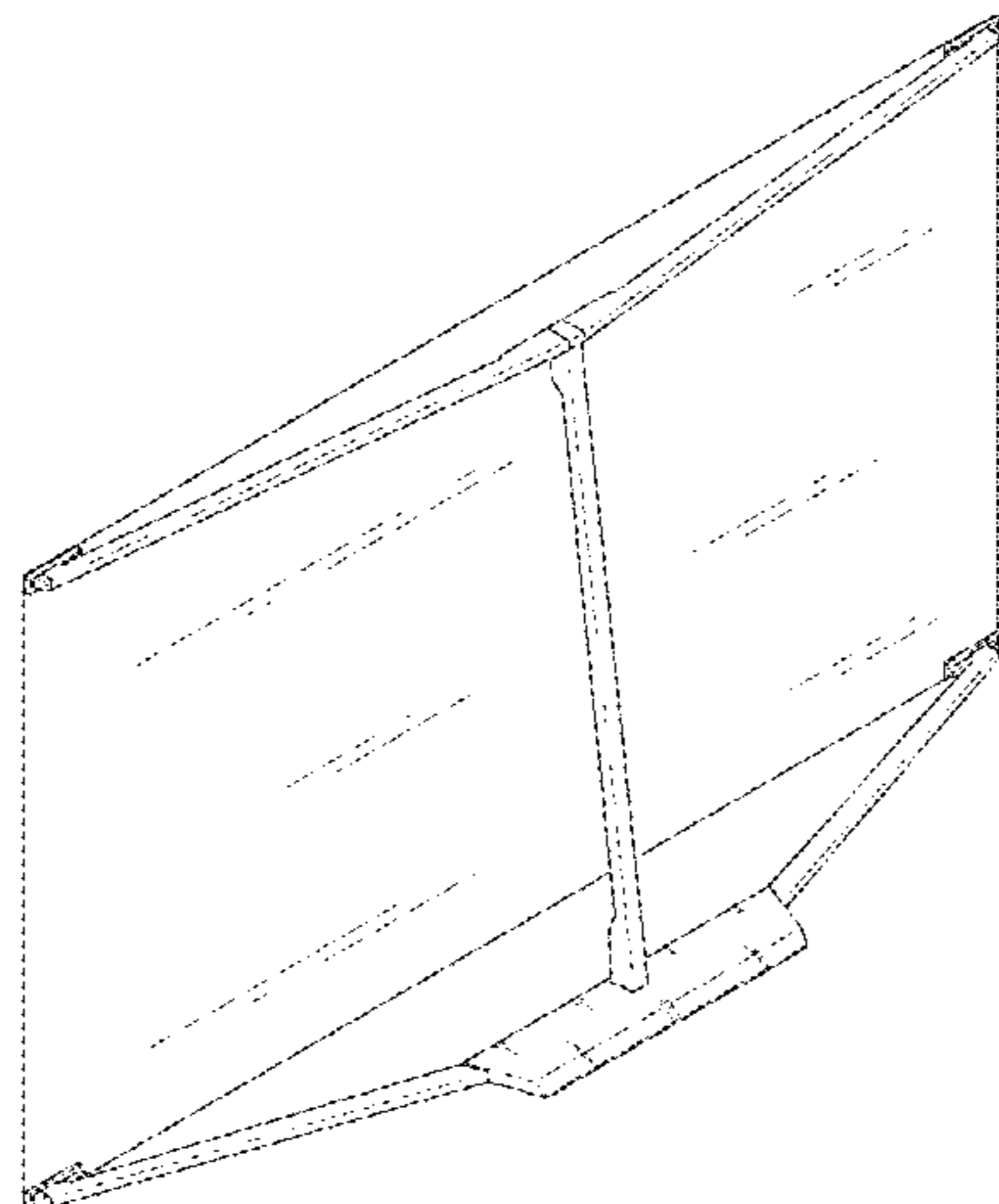
**1.7** is a top view thereof.

**1.8** is a bottom view thereof.

**1.9** is a front perspective view of the TV receiver shown in an alternate position.

**1.10** is a rear perspective view thereof.

(Continued)



# US D817,296 S

Page 2

1.11 is a front view thereof.  
1.12 is a back view thereof.  
1.13 is a left side view thereof.  
1.14 is a right side view thereof.  
1.15 is a top view thereof.  
1.16 is a bottom view thereof.

## 1 Claim, 16 Drawing Sheets

D783,554 S \* 4/2017 Kim ..... D14/126  
D783,612 S \* 4/2017 Kim ..... D14/374  
D800,082 S \* 10/2017 Ahn ..... D14/126  
D801,337 S \* 10/2017 Lee ..... D14/374  
2006/0250347 A1\* 11/2006 Bertocini ..... G06F 1/1601  
345/103  
2007/0030405 A1\* 2/2007 Childrey ..... F16M 11/10  
348/794  
2015/0145837 A1\* 5/2015 Park ..... H04N 5/64  
345/184

(56)

## References Cited

### U.S. PATENT DOCUMENTS

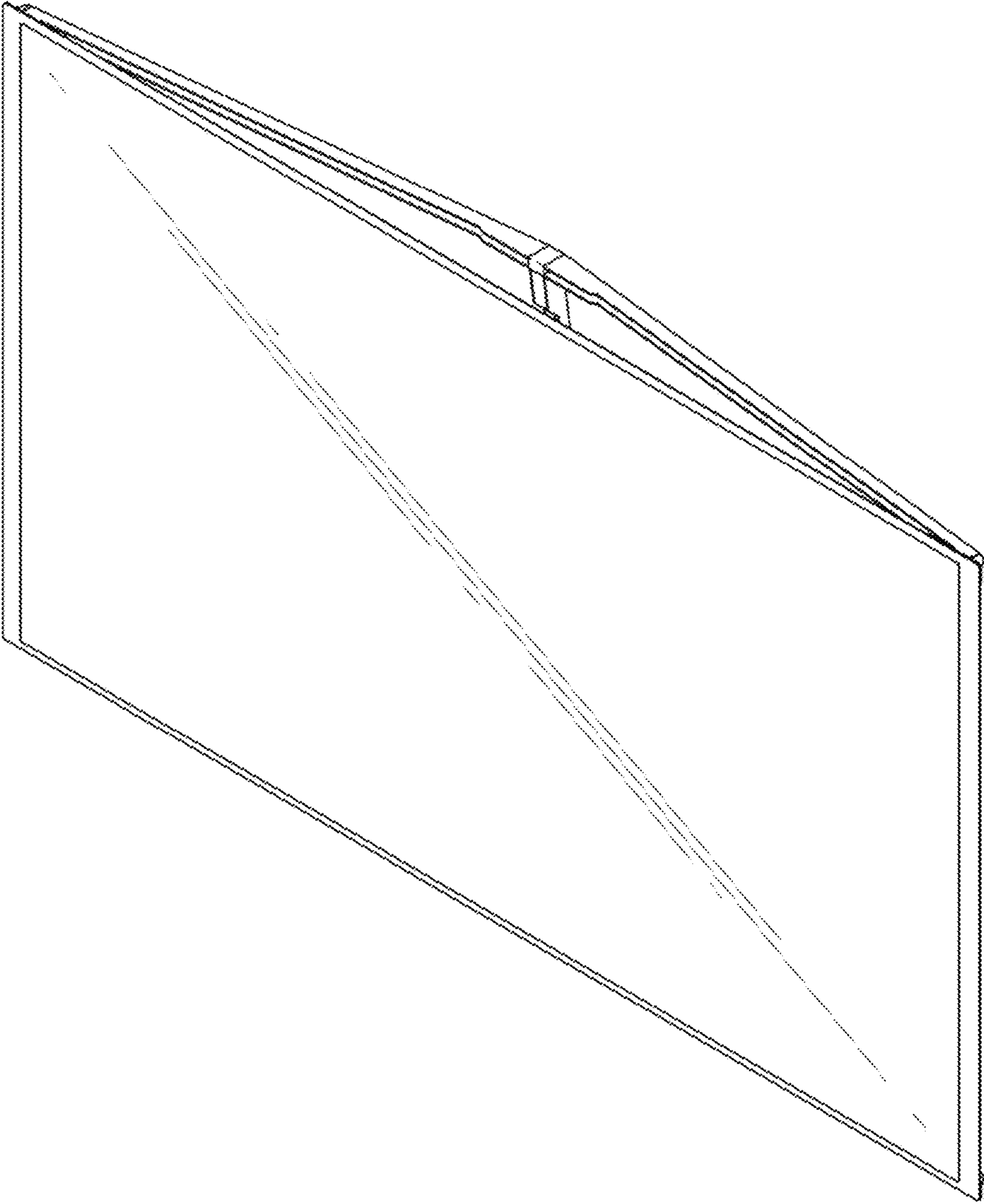
D744,444 S \* 12/2015 Kim ..... D14/126  
D758,374 S \* 6/2016 Kim ..... D14/451  
D758,983 S \* 6/2016 Kim ..... D14/126  
D780,852 S \* 3/2017 Sharp ..... D14/203.7

## OTHER PUBLICATIONS

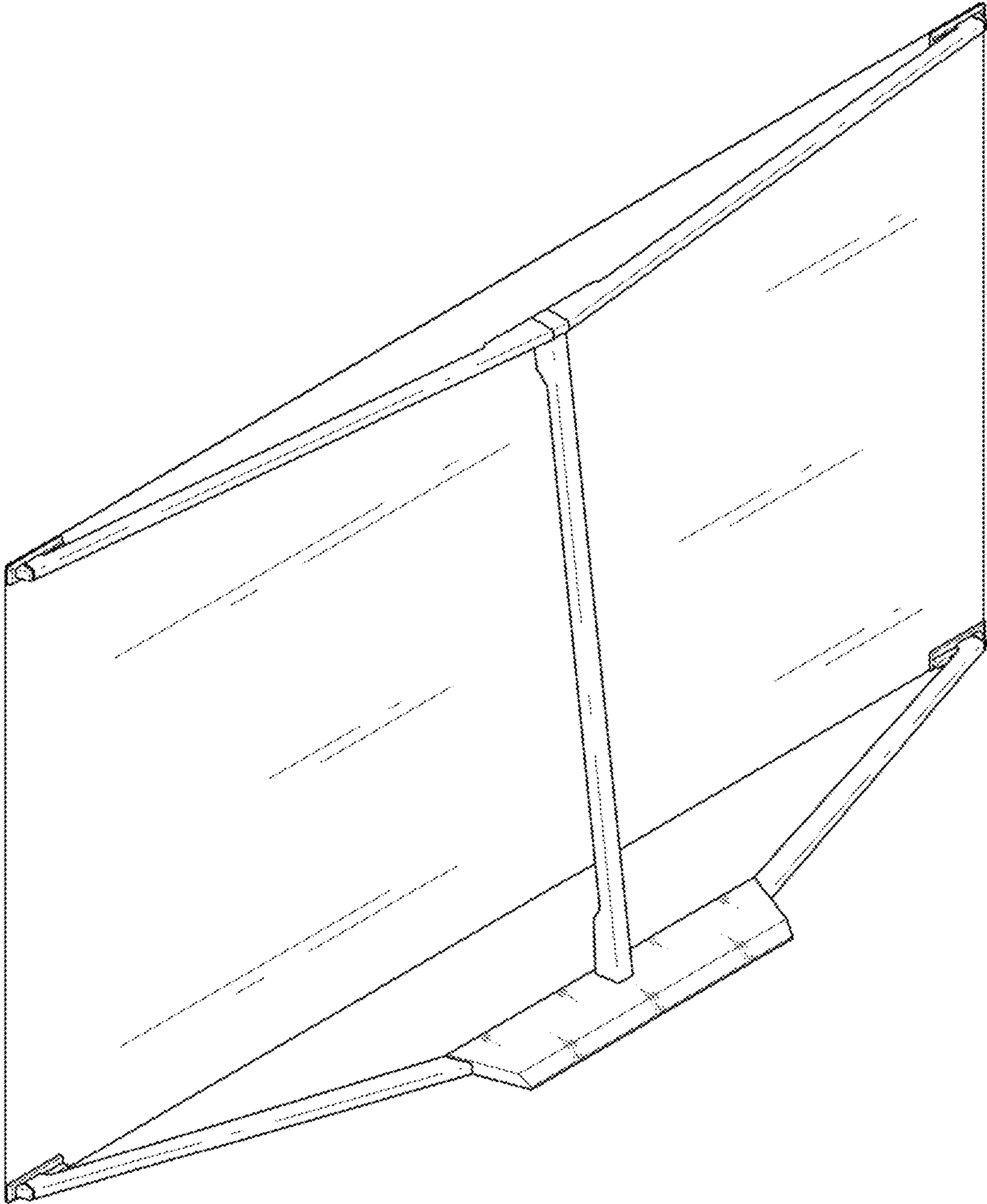
Wong, Abel, Samsung SUHD TB setup tutorial, posted at TechNave, posting date Jun. 20, 2016. [online] [site visited Feb. 28, 2018]. Available from Internet. <URL: <https://technave.com/gadget/Samsung-SUHD-TV-setup-tutorial-7488.html>> (Year: 2016).\*

\* cited by examiner

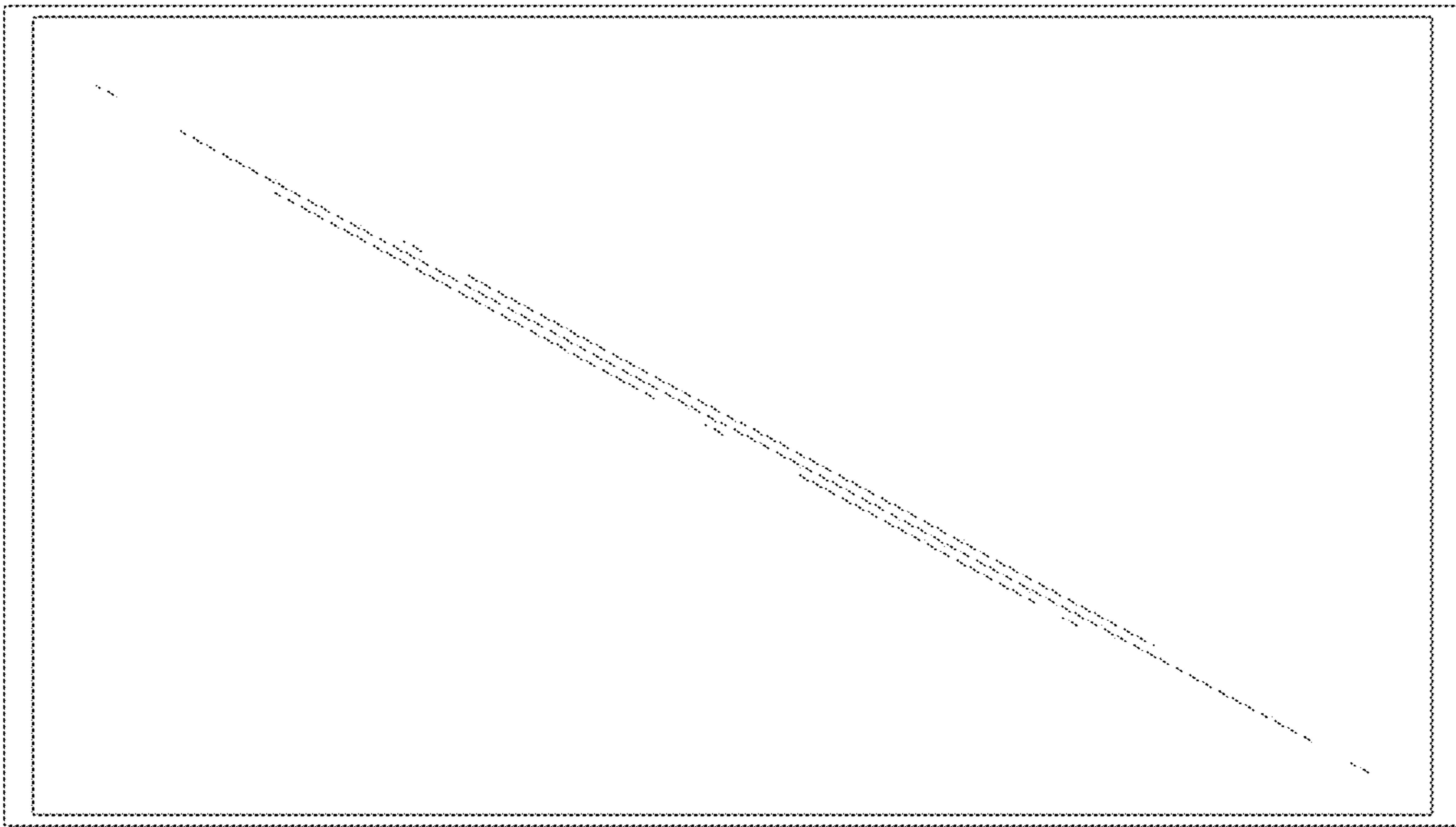
1.1



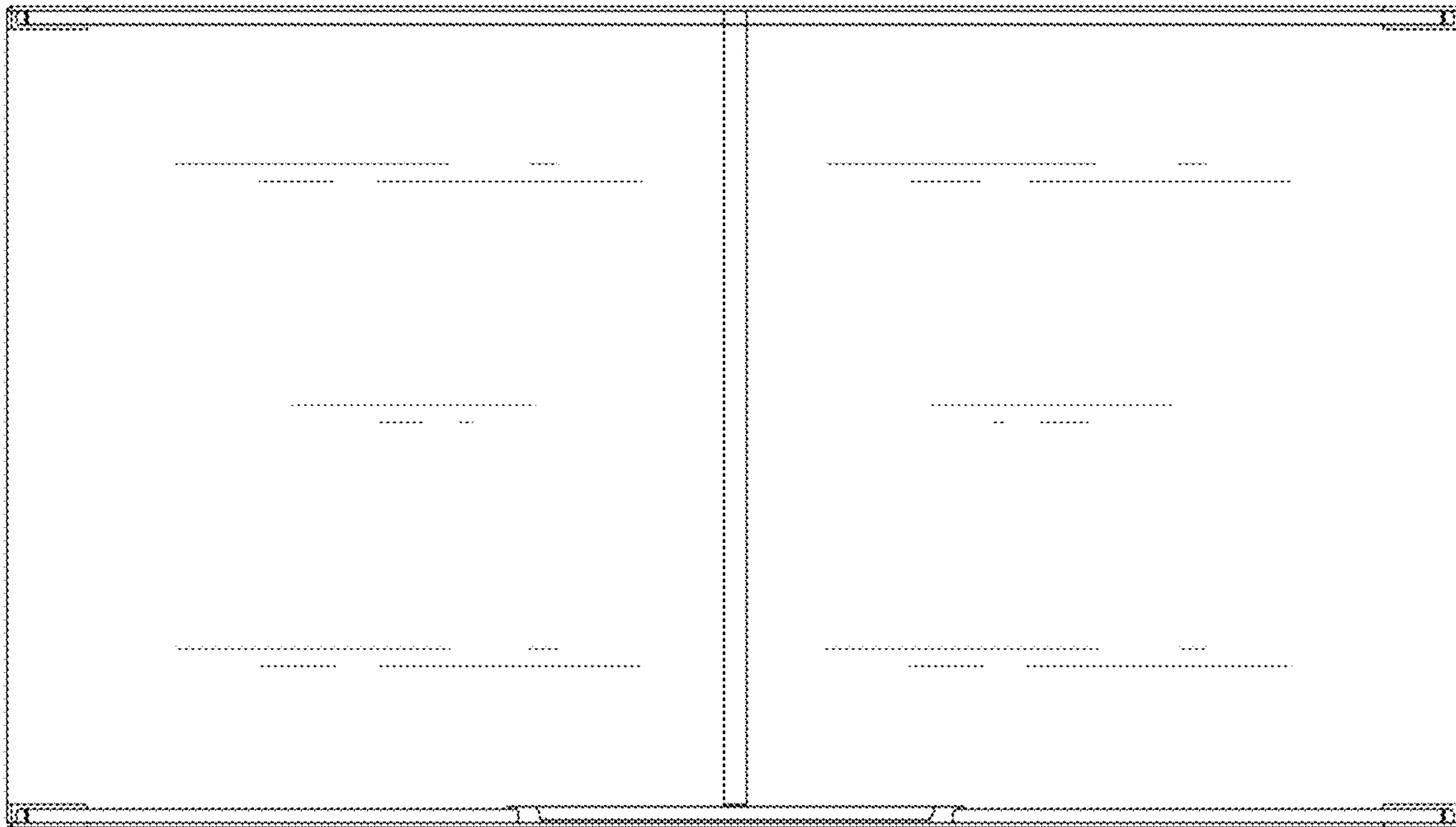
1.2



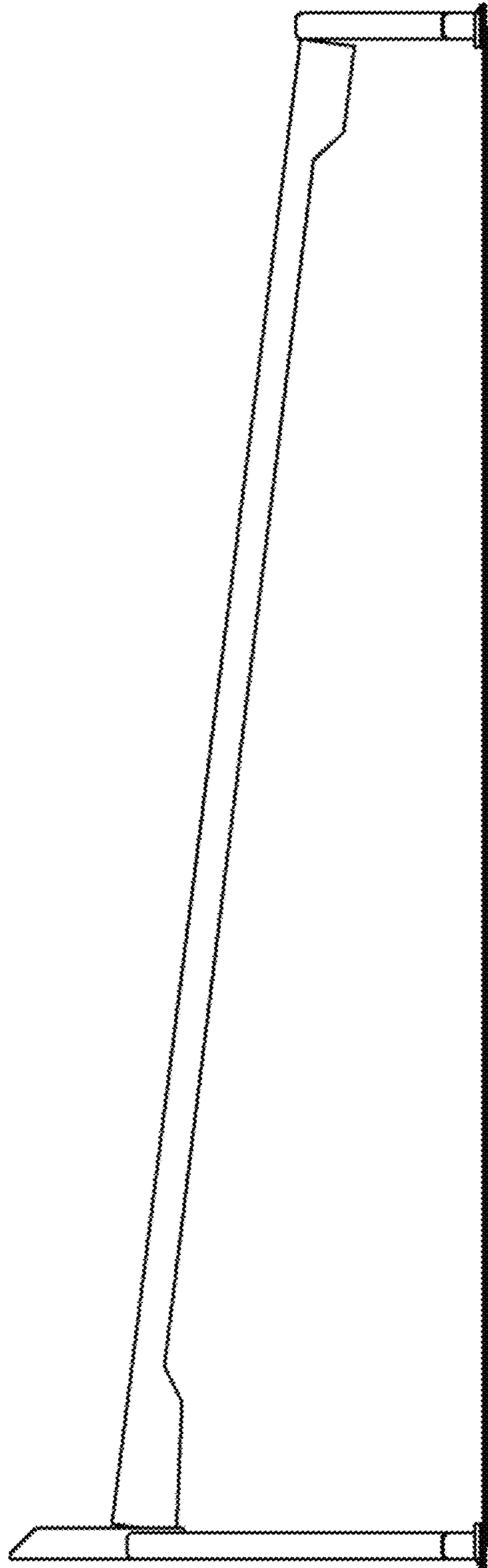
1.3



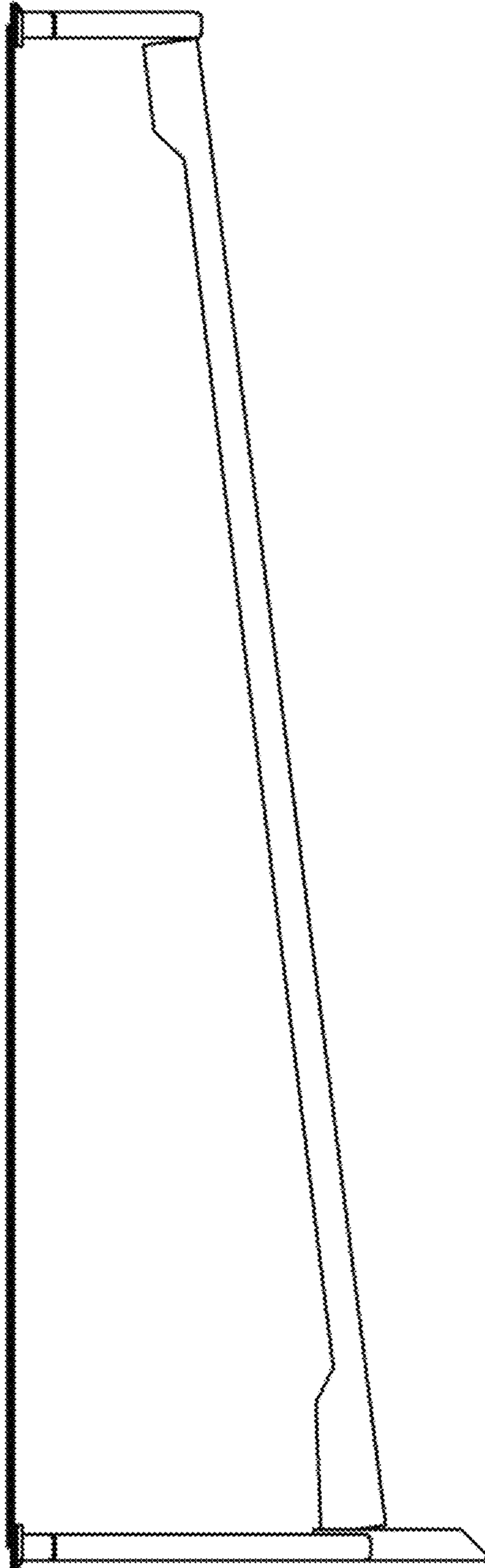
1.4



1.5

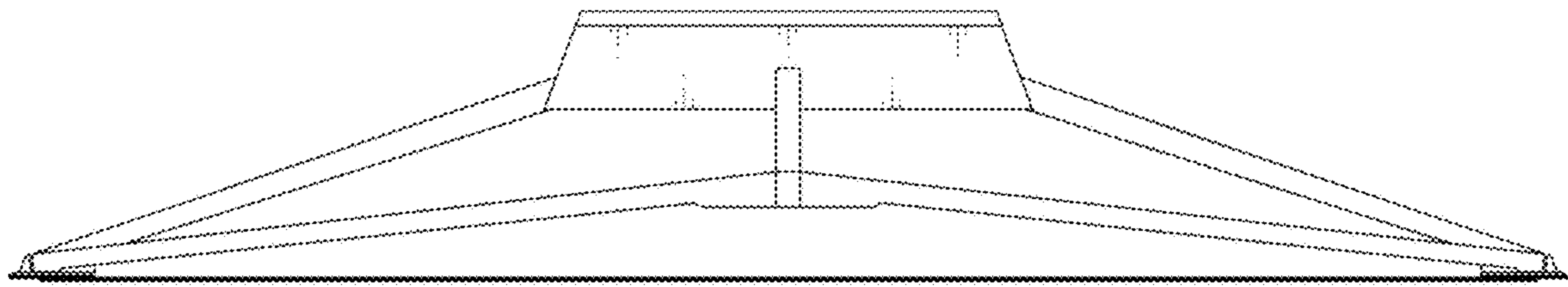


1.6

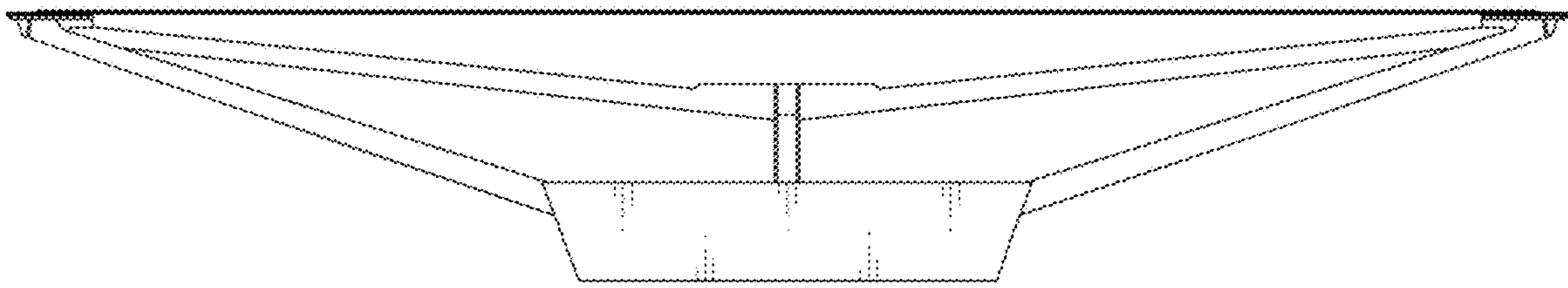




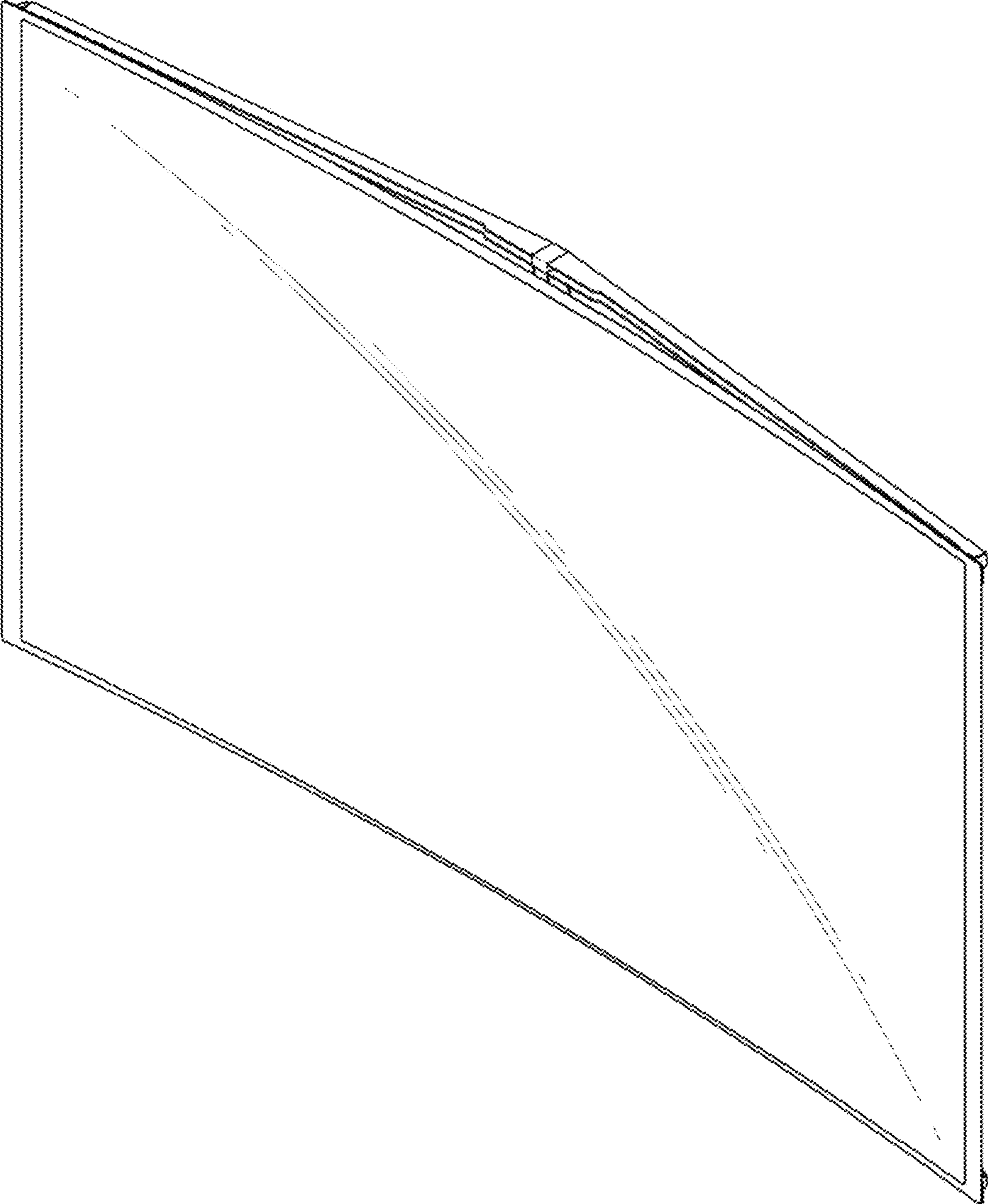
1.7



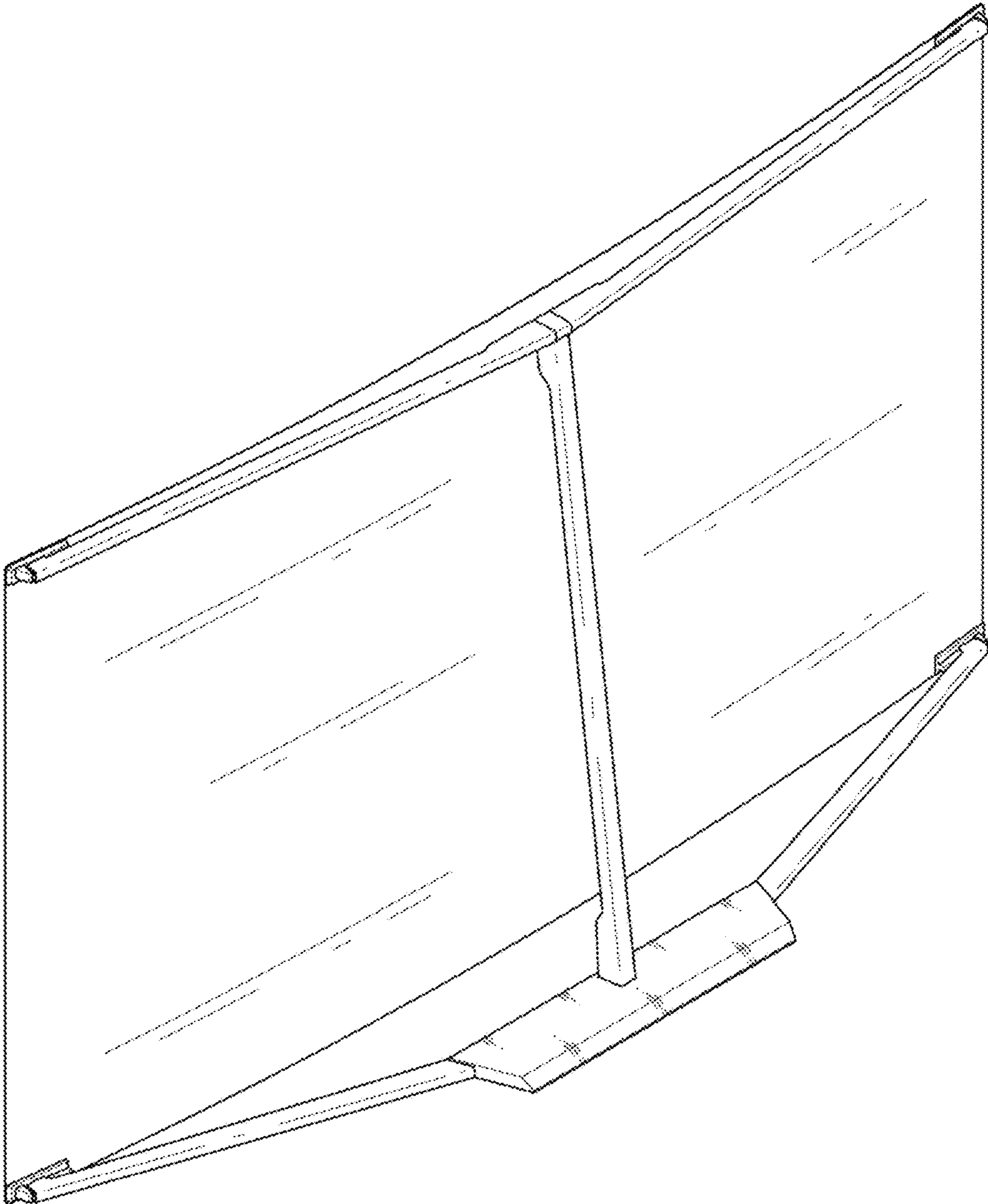
1.8



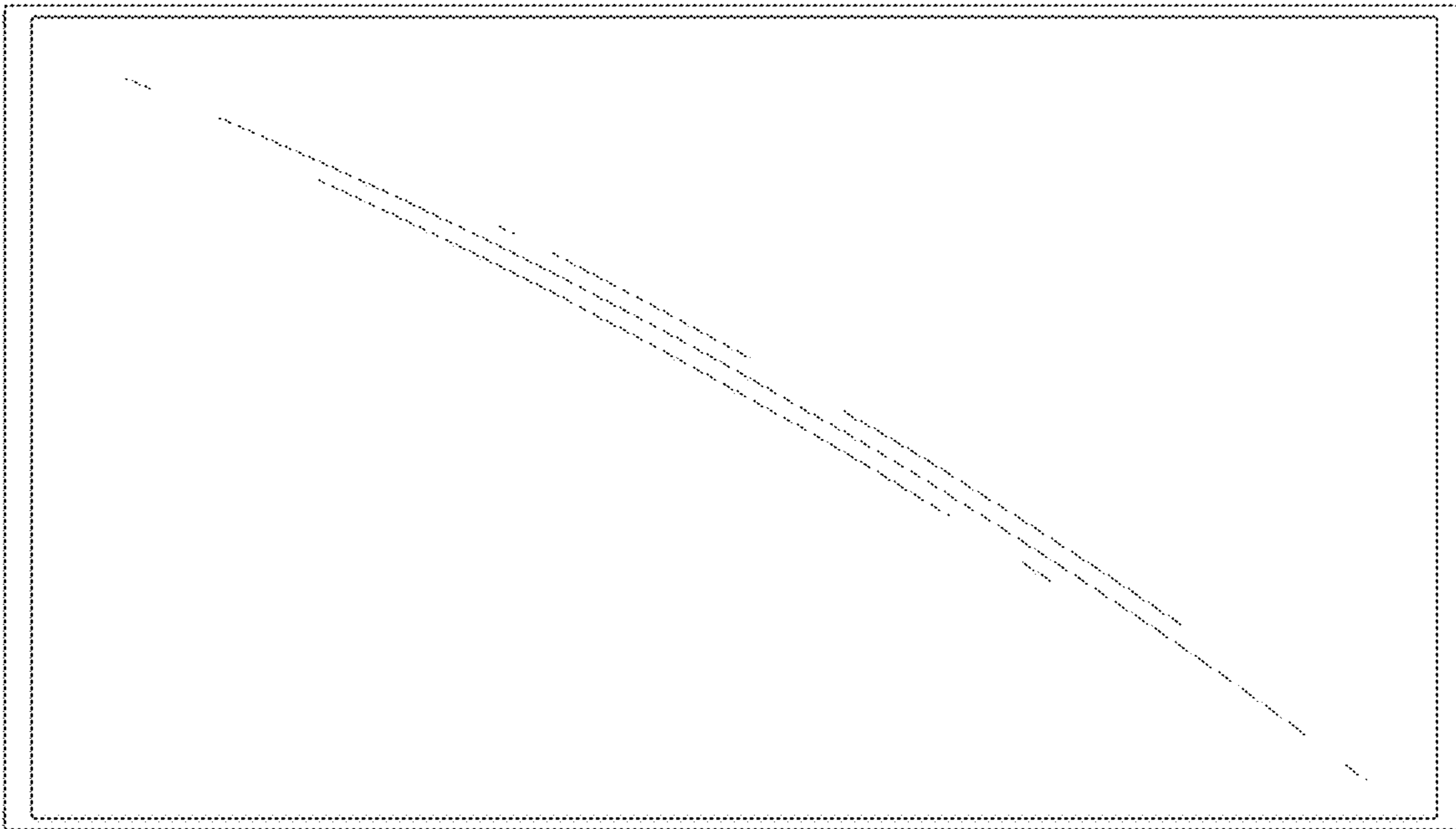
1.9



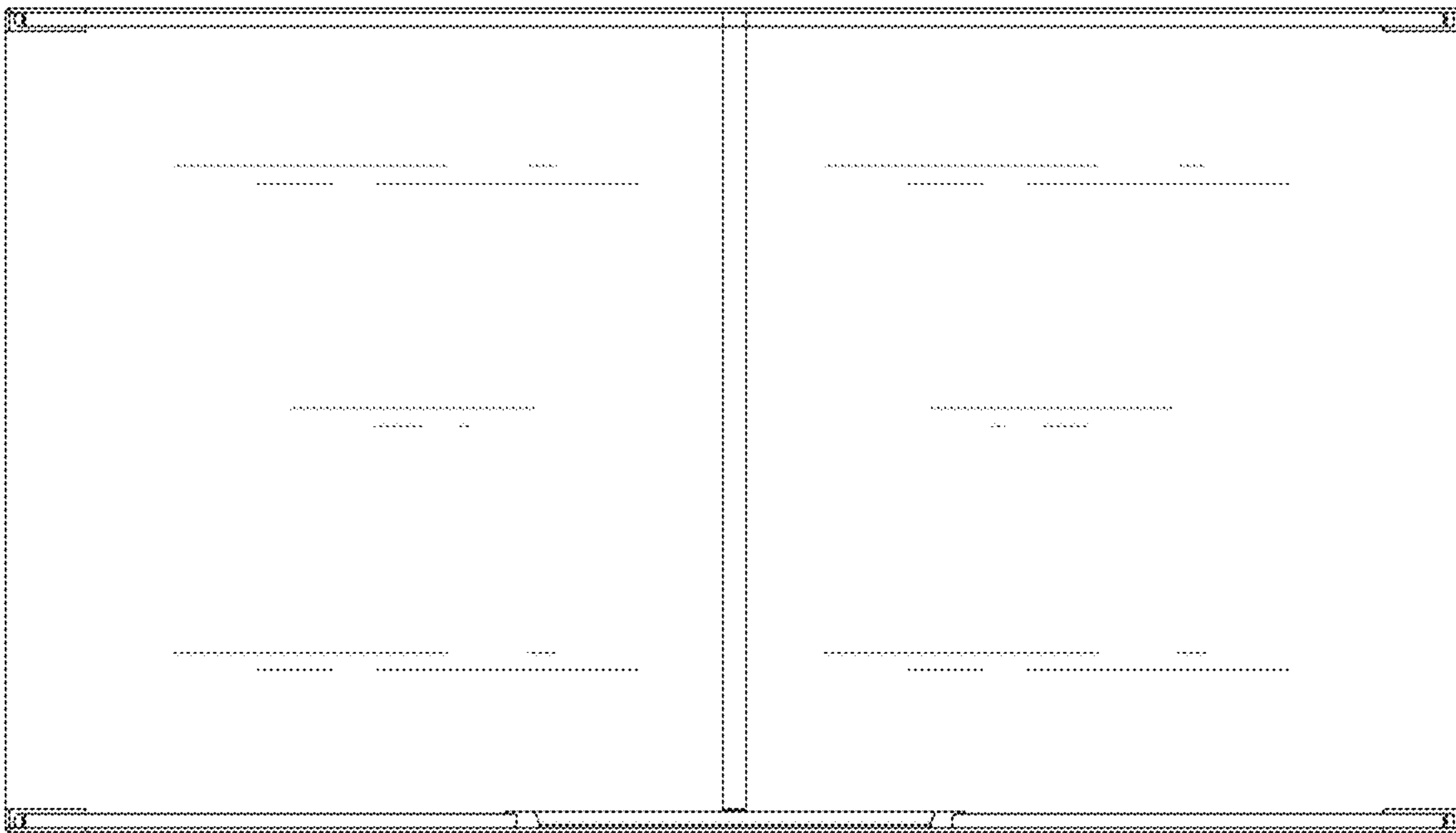
1.10



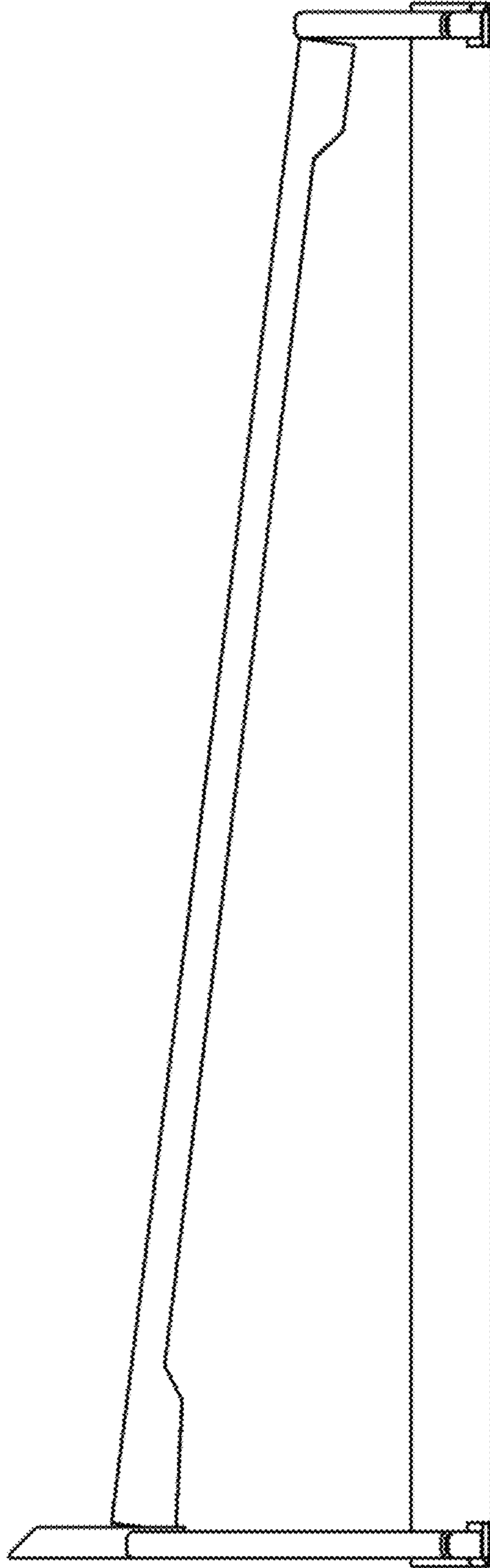
1.11



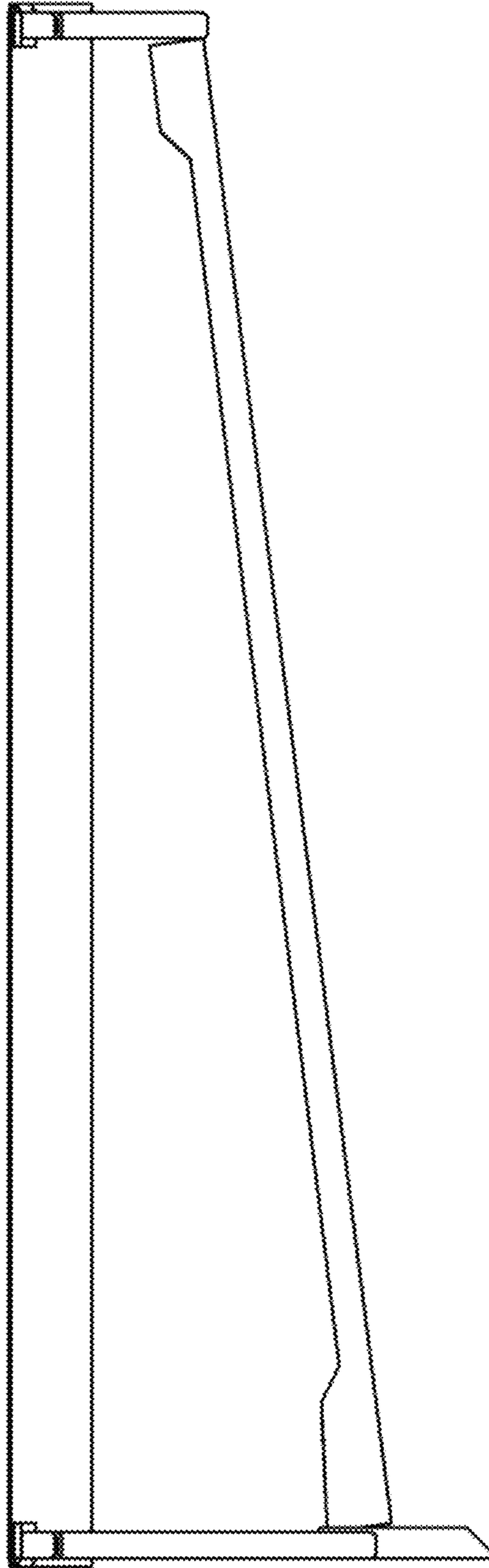
1.12



1.13

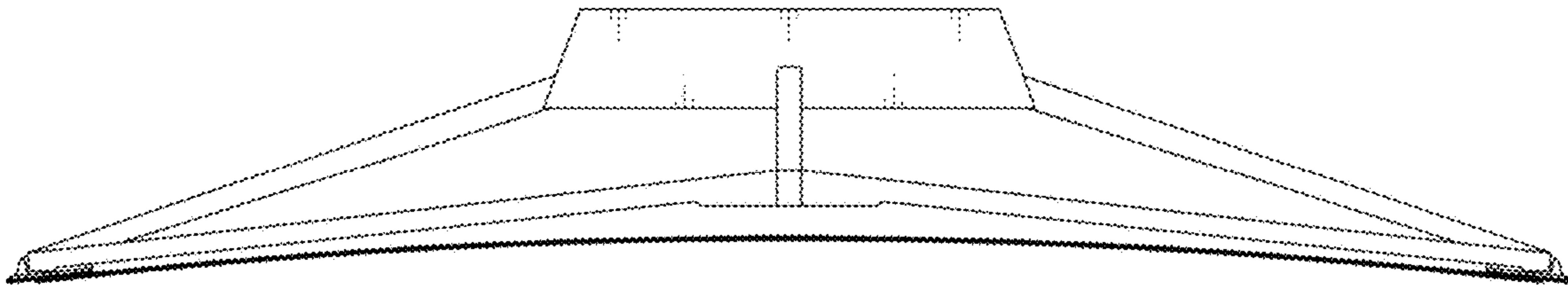


1.14





1.15



1.16

