



US00D817292S

(12) **United States Design Patent**
Kim et al.

(10) **Patent No.:** **US D817,292 S**

(45) **Date of Patent:** **** May 8, 2018**

(54) **TV RECEIVER**

(71) Applicant: **LG ELECTRONICS INC.**, Seoul (KR)

(72) Inventors: **Yooseok Kim**, Seoul (KR); **Jongyoun Shin**, Seoul (KR); **Sunha Park**, Seoul (KR); **Younsoo Kim**, Seoul (KR); **Byungmu Huh**, Seoul (KR)

(73) Assignee: **LG ELECTRONICS INC.**, Seoul (KR)

(**) Term: **15 Years**

(21) Appl. No.: **35/501,865**

(22) Filed: **May 11, 2016**

(80) **Hague Agreement Data**

Int. Filing Date: **May 11, 2016**

Int. Reg. No.: **DM/092133**

Int. Reg. Date: **May 11, 2016**

Int. Reg. Pub. Date: **Nov. 11, 2016**

(30) **Foreign Application Priority Data**

Nov. 13, 2015 (KR) 30-2015-0057394

(51) **LOC (11) Cl.** **14-03**

(52) **U.S. Cl.**
USPC **D14/126**

(58) **Field of Classification Search**

USPC D14/125-134, 136, 159, 239, 336, 342,
D14/371, 374-377, 440, 448, 450;
D21/329, 515, 577, 622

CPC ... G06F 1/1601; G06F 1/1643; H05K 5/0004;
H05K 5/0017; H05K 5/02; H05K 5/0217

See application file for complete search history.

(56) **References Cited**

U.S. PATENT DOCUMENTS

D692,403 S * 10/2013 Takami D14/126

D700,586 S * 3/2014 Kim D14/126

D703,168 S *	4/2014	Won	D14/126
D714,238 S *	9/2014	Kim	D14/126
D719,119 S *	12/2014	Park	D14/126
D720,315 S *	12/2014	Kim	D14/126
D722,033 S *	2/2015	Kim	D14/126
D722,989 S *	2/2015	Park	D14/126
D733,082 S *	6/2015	Hwangbo	D14/126
D748,596 S *	2/2016	McManigal	D14/126
D751,519 S *	3/2016	Ma	D14/126
D754,086 S *	4/2016	Valeur	D14/126
D755,140 S *	5/2016	Kim	D14/126
D756,945 S *	5/2016	Kim	D14/126
D768,100 S *	10/2016	Seo	D14/126

(Continued)

Primary Examiner — Manpreet S Matharu

Assistant Examiner — Holly E Thurman

(74) *Attorney, Agent, or Firm* — Birch, Stewart, Kolasch & Birch, LLP

(57) **CLAIM**

The ornamental design for a TV receiver, as shown and described.

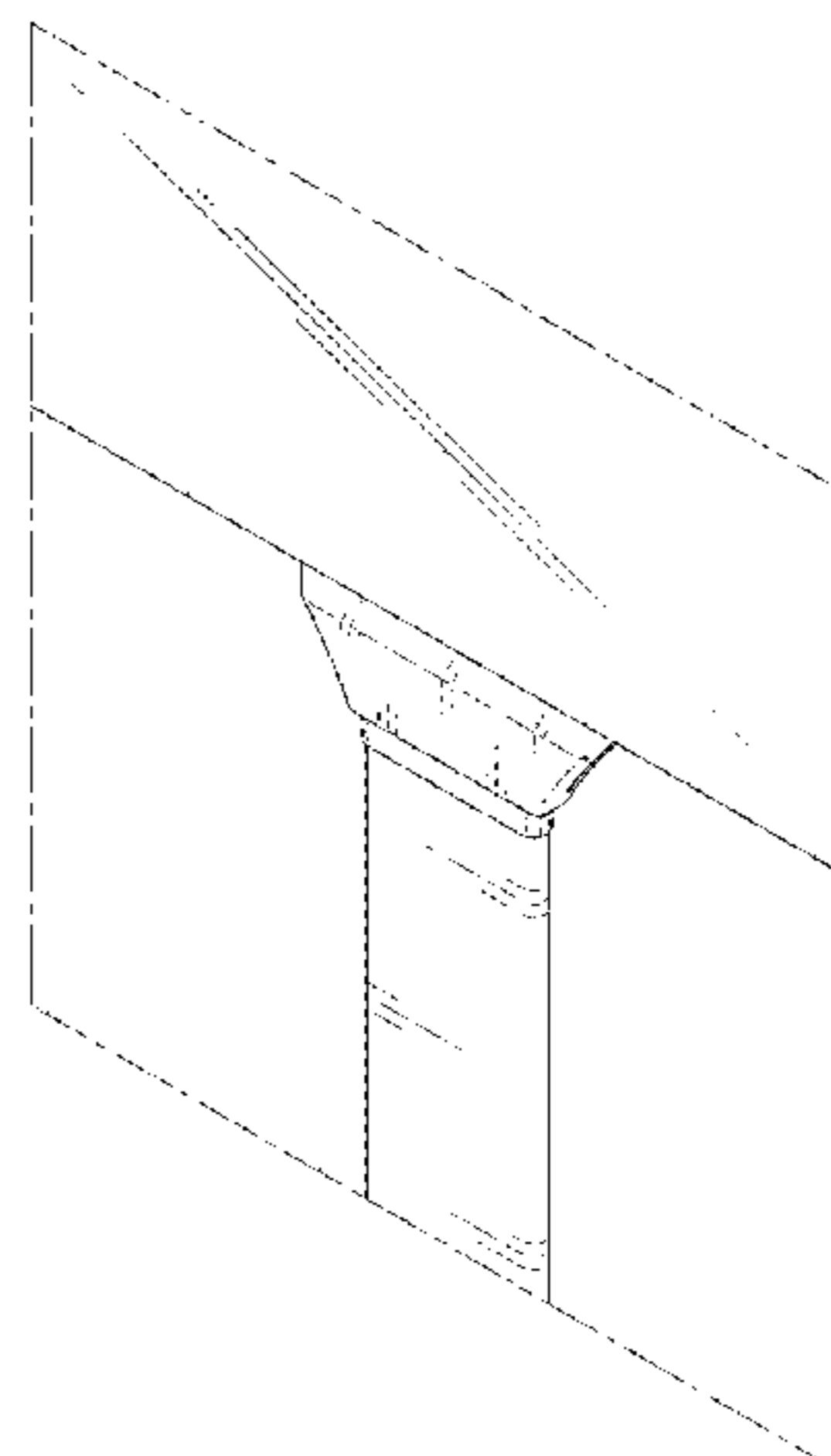
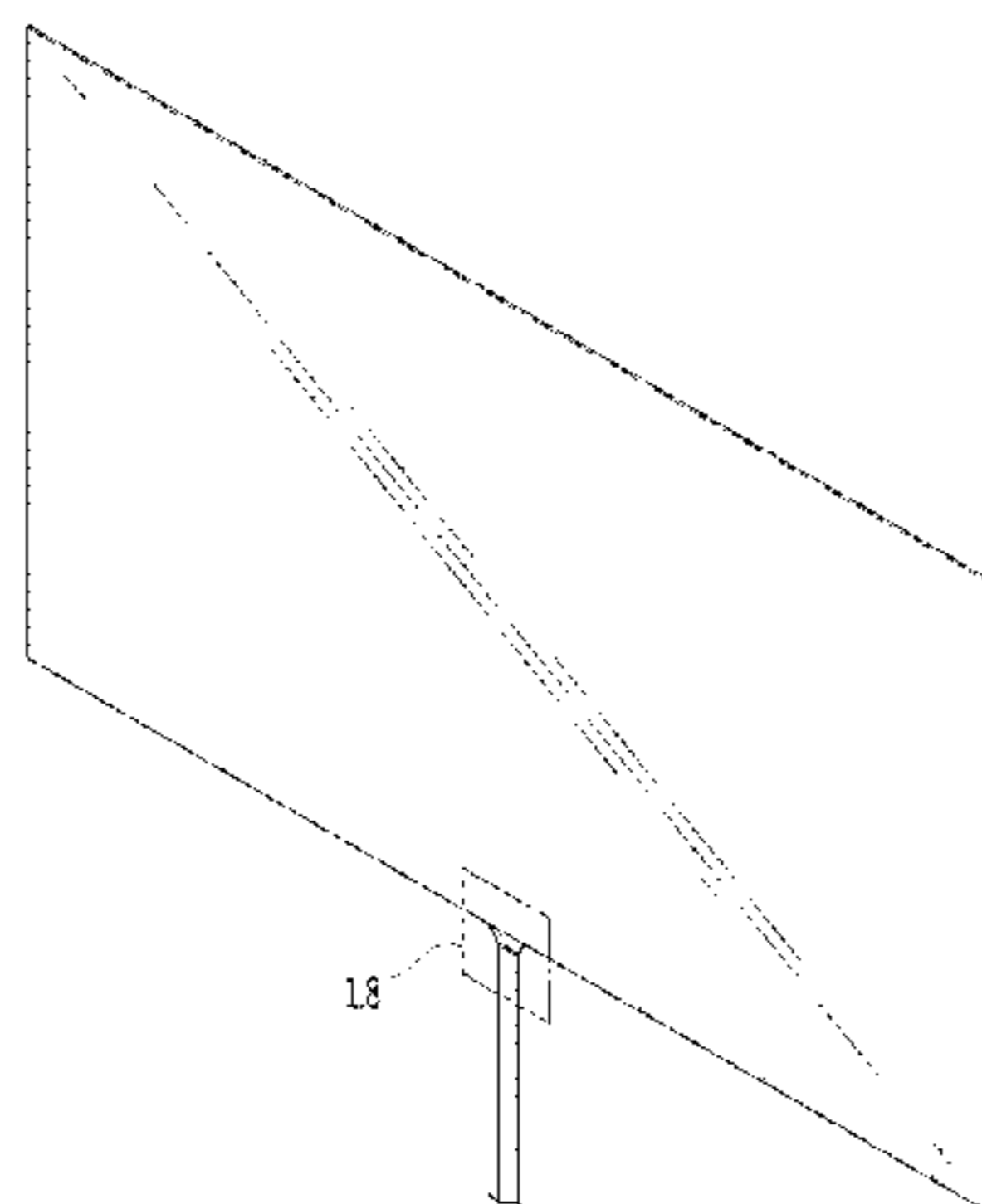
DESCRIPTION

1. TV receiver
- 1.1 : Perspective
- 1.2 : Front
- 1.3 : Back
- 1.4 : Left
- 1.5 : Right
- 1.6 : Top
- 1.7 : Bottom
- 1.8 : Enlarged
- 1.9 : Reference

The dot-dash broken line showing in figures 1.1 and 1.8 is for the purpose of illustrating a partially enlarged view of figure 1.1 only and forms no part of the claimed design.

The evenly-spaced broken line showing in figure 1.9 is for the purpose of illustrating environmental structure and forms no part of the claimed design.

1 Claim, 8 Drawing Sheets



(56)

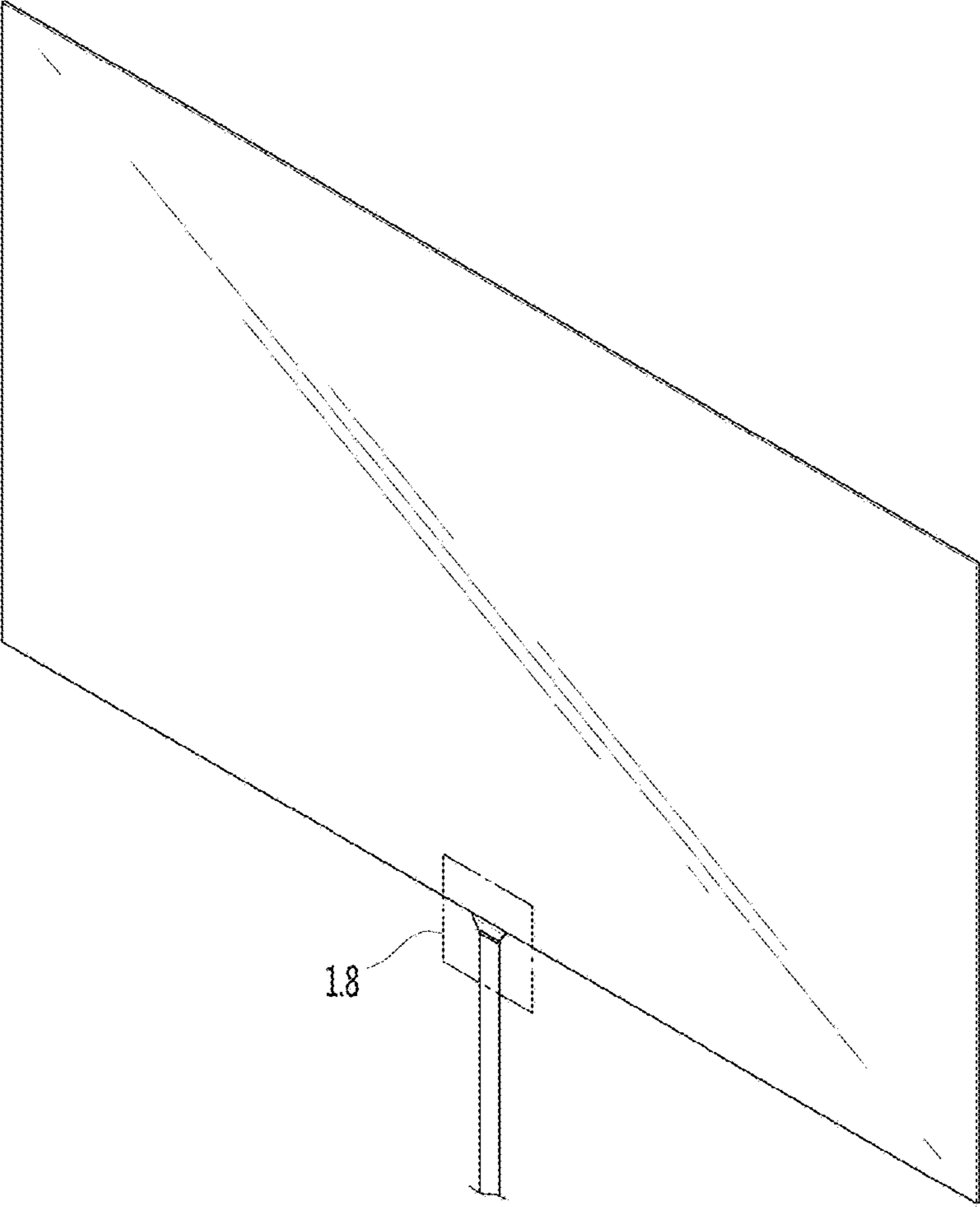
References Cited

U.S. PATENT DOCUMENTS

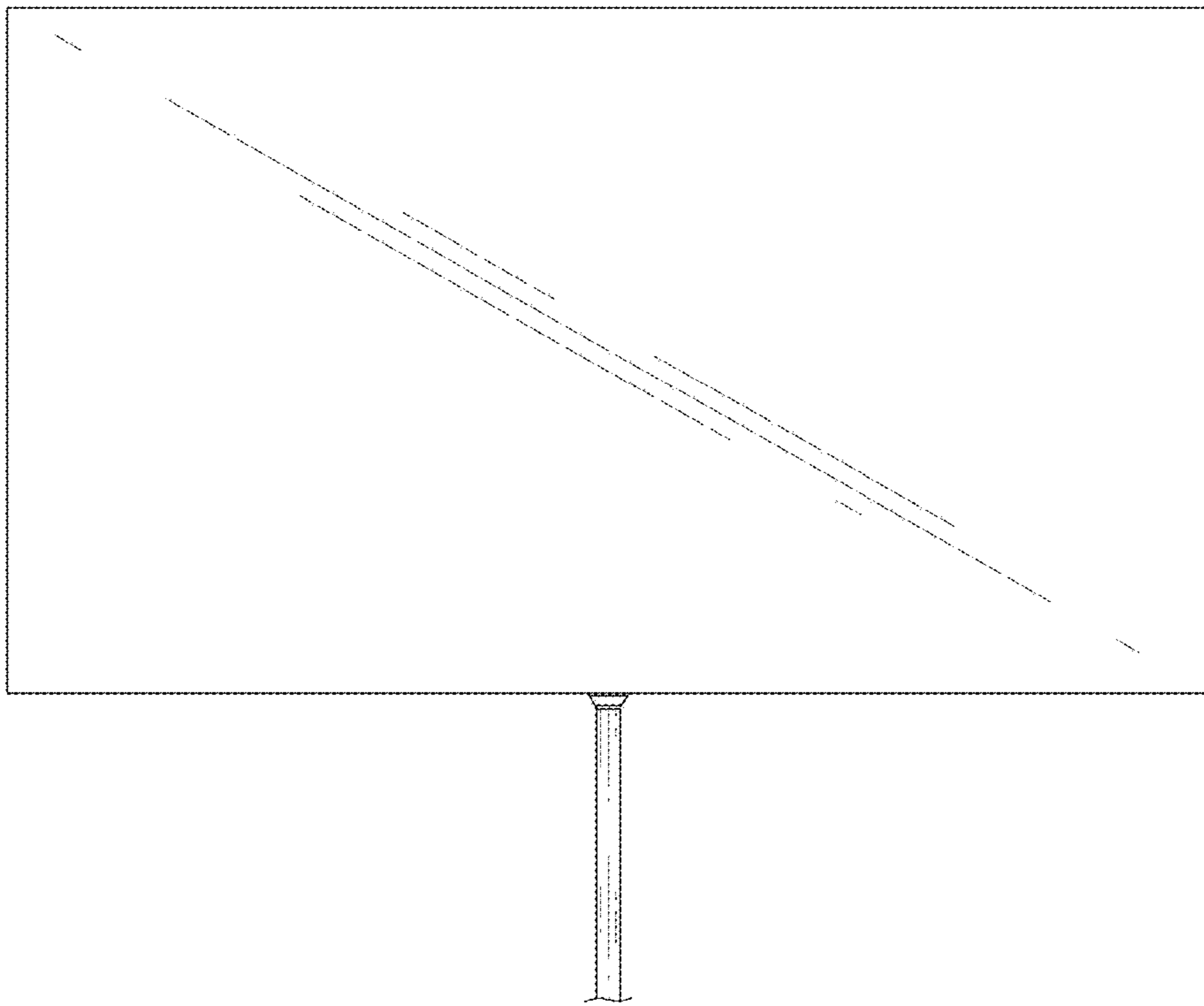
D772,830 S	*	11/2016	Kim	D14/126
D773,419 S	*	12/2016	Han	D14/126
D774,484 S	*	12/2016	Han	D14/126
D775,094 S	*	12/2016	Kim	D14/126
D778,854 S	*	2/2017	Lee	D14/126
D778,855 S	*	2/2017	Lee	D14/126
D780,140 S	*	2/2017	Kim	D14/126
D782,991 S	*	4/2017	Kim	D14/126
D785,581 S	*	5/2017	McManigal	D14/126
D786,813 S	*	5/2017	McManigal	D14/126
D787,462 S	*	5/2017	Shiono	D14/126
D790,493 S	*	6/2017	Han	D14/126
D792,361 S	*	7/2017	Han	D14/126

* cited by examiner

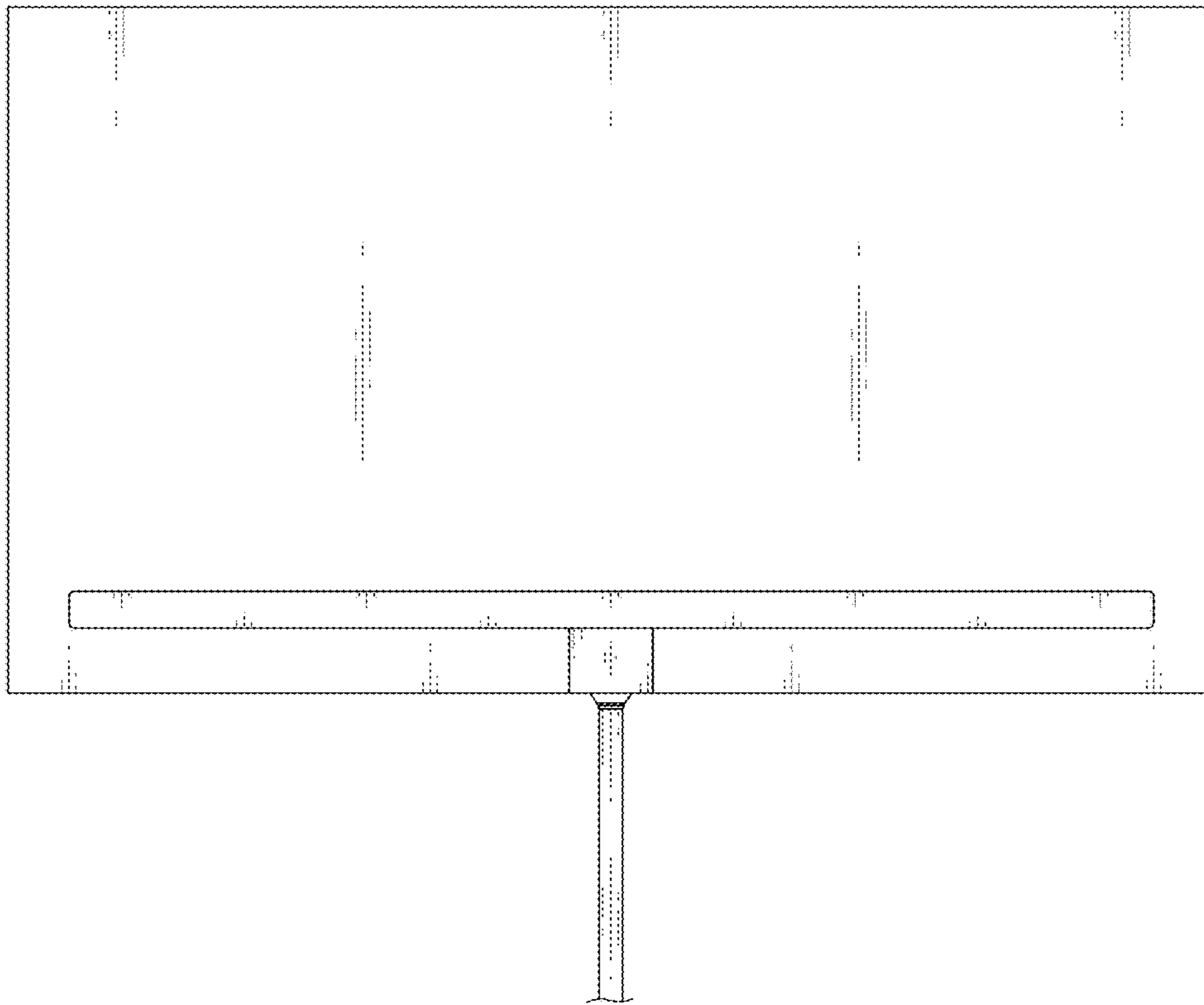
1.1



1.2



1. 3



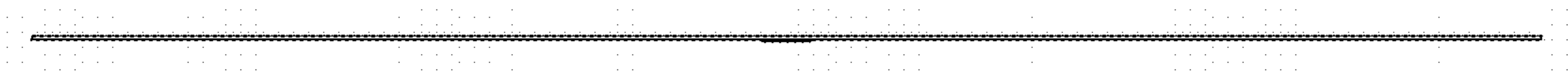
1.4



1.5



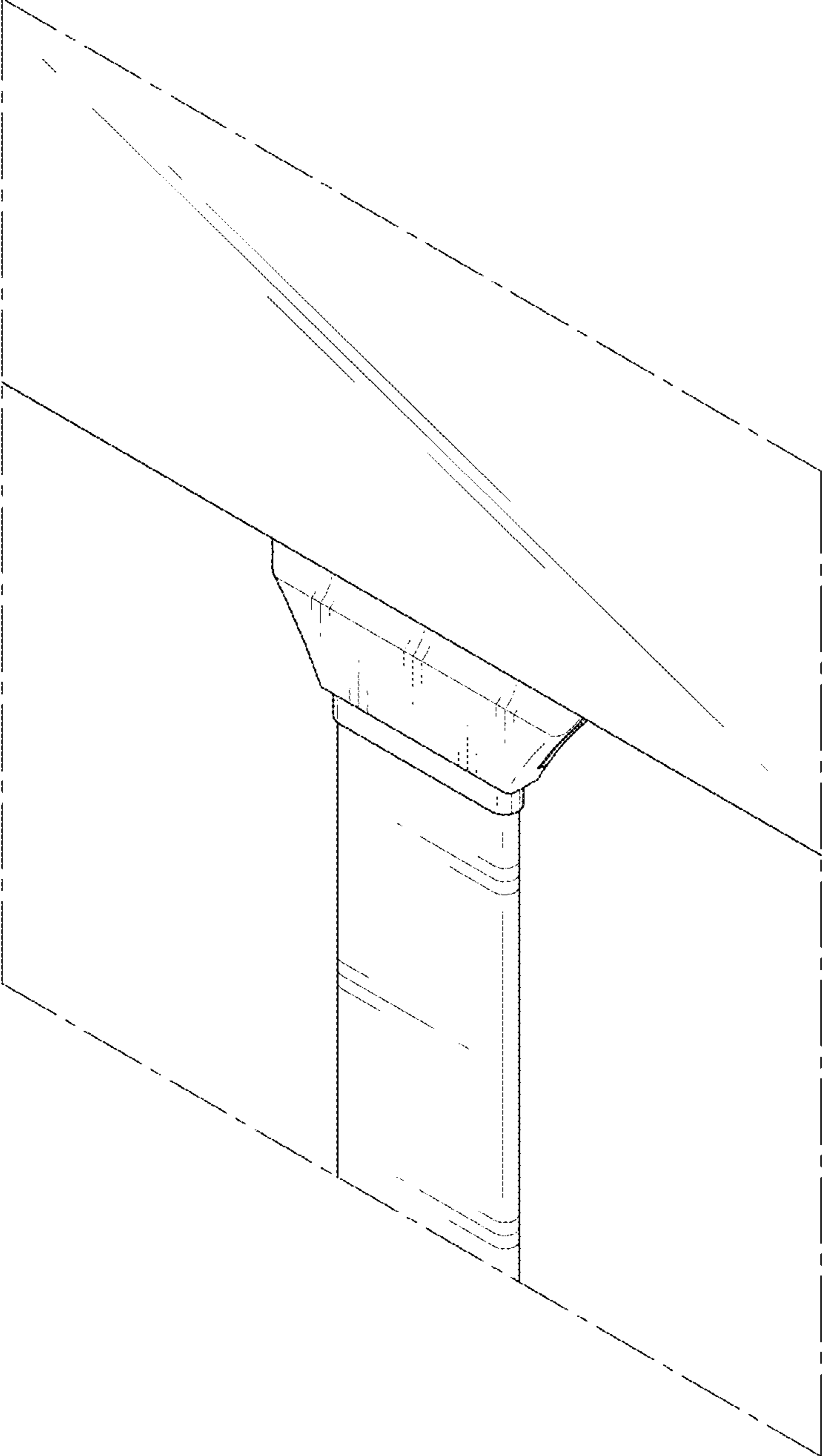
1.6



1.7



1.8



1.9

