



US00D817290S

(12) **United States Design Patent** (10) **Patent No.:** **US D817,290 S**  
**Lee et al.** (45) **Date of Patent:** **\*\* May 8, 2018**

(54) **TV RECEIVER**

17/04; H04N 17/004; H04N 21/43637;  
G02B 6/0068; H05K 5/02; H05K 5/0004;  
H05K 5/0017; H05K 5/0217

(71) Applicant: **LG ELECTRONICS INC.**, Seoul  
(KR)

See application file for complete search history.

(72) Inventors: **Yongho Lee**, Seoul (KR); **Jongchul Kim**, Seoul (KR); **Jeongrok Lee**, Seoul (KR); **Kyongtae Han**, Seoul (KR); **Sunggu Joe**, Seoul (KR)

(56) **References Cited**

U.S. PATENT DOCUMENTS

D773,418 S *	12/2016	Won	.....	D14/126
D774,482 S *	12/2016	Hong	.....	D14/126
D783,554 S *	4/2017	Kim	.....	D14/126
D786,868 S *	5/2017	Kim	.....	D14/374
D796,465 S *	9/2017	Kim	.....	D14/126

(73) Assignee: **LG ELECTRONICS INC.**, Seoul  
(KR)

\* cited by examiner

(\*\*) Term: **15 Years**

*Primary Examiner* — Keli L Hill

(21) Appl. No.: **35/501,826**

(74) *Attorney, Agent, or Firm* — Birch, Stewart, Kolasch & Birch, LLP

(22) Filed: **May 2, 2016**

(80) **Hague Agreement Data**

Int. Filing Date: **May 2, 2016**  
Int. Reg. No.: **DM/091253**  
Int. Reg. Date: **May 2, 2016**  
Int. Reg. Pub. Date: **Nov. 4, 2016**

(57) **CLAIM**

The ornamental design for a TV receiver, as shown and described.

(30) **Foreign Application Priority Data**

Nov. 5, 2015 (KR) ..... 30-2015-0055907

(51) **LOC (11) Cl.** ..... **14-03**

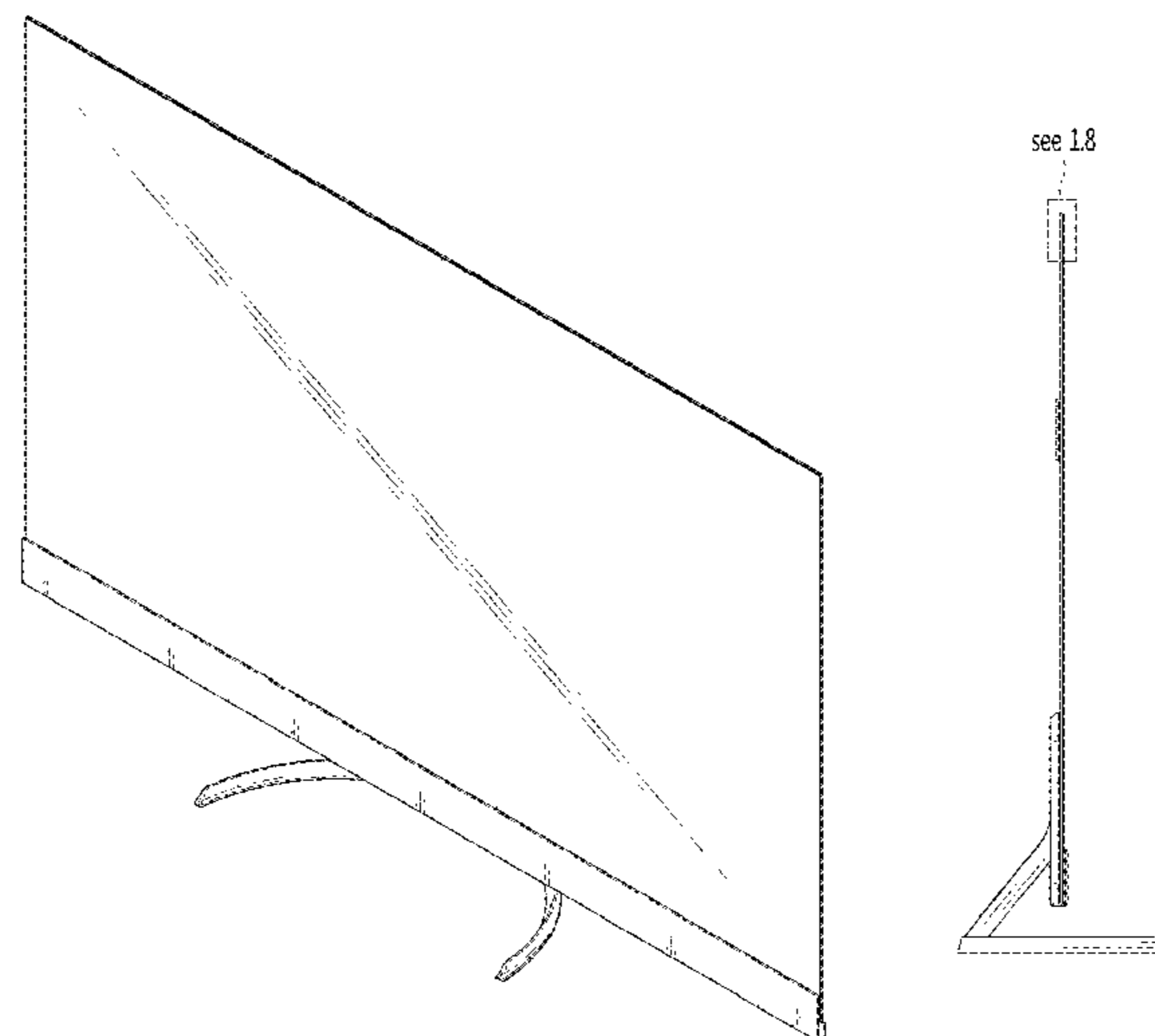
(52) **U.S. Cl.**  
USPC ..... **D14/126**

(58) **Field of Classification Search**  
USPC ..... D14/125, 126, 128, 133, 239, 336, 371,  
D14/374-377, 448, 450; D20/10, 19, 39;  
D21/329, 515; 312/7.2; 348/180, 184,  
348/325, 739, 836, 838; 248/465,  
248/917-924; 345/87, 104, 133, 156,  
345/168, 173  
CPC ..... G06F 1/1601; G06F 1/1643; H04N 5/64;  
H04N 5/66; H04N 5/655; H04N 7/00;  
H04N 9/3141; H04N 13/0459; H04N

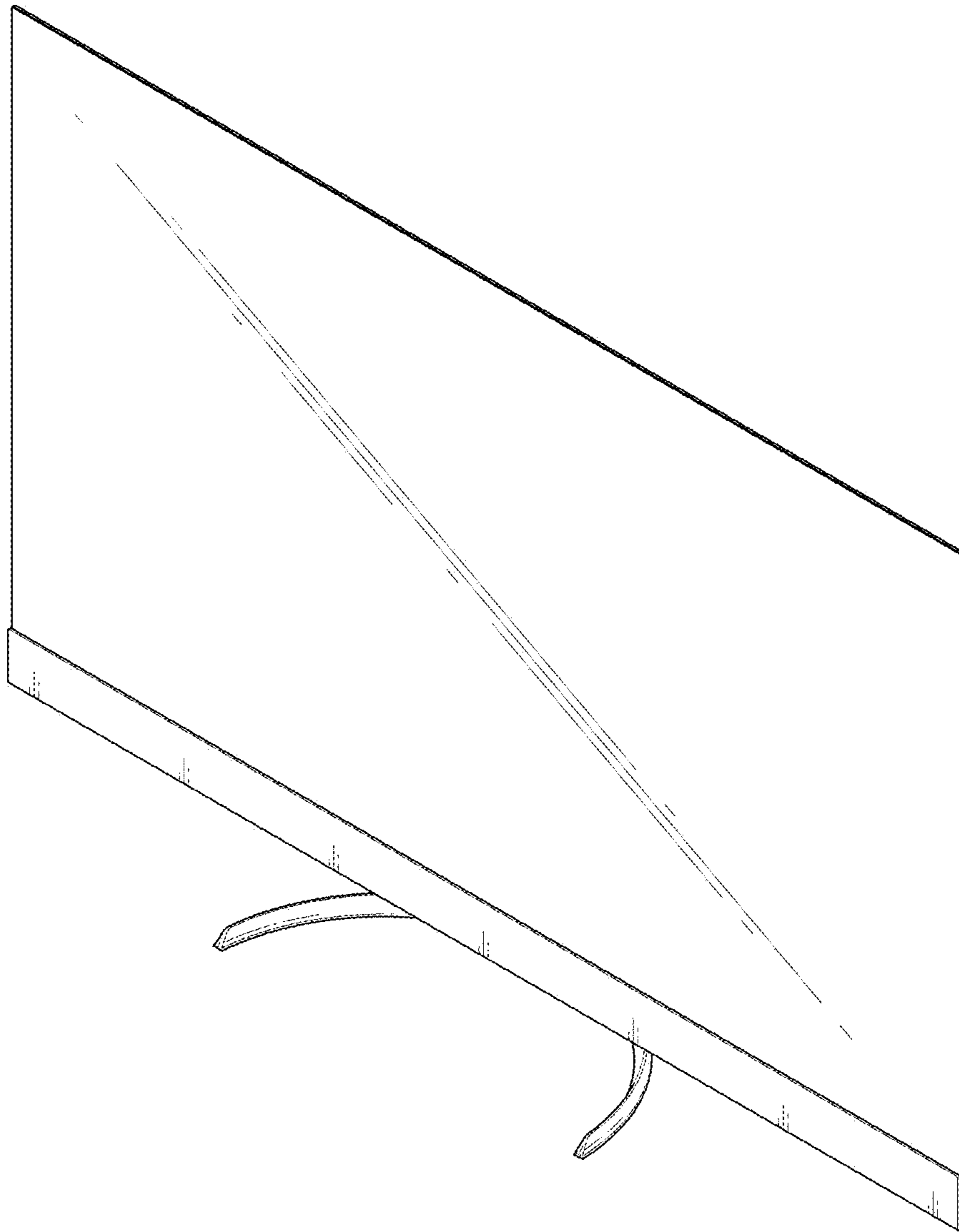
**DESCRIPTION**

1. TV receiver  
1.1 : Perspective  
1.2 : Front  
1.3 : Back  
1.4 : Left  
1.5 : Right  
1.6 : Top  
1.7 : Bottom  
1.8 : Enlarged view of a portion of figure 1.4  
The dash-dot broken lines of figures 1.4 and 1.8 are included to show partially enlarged views only and form no part of the claimed design.

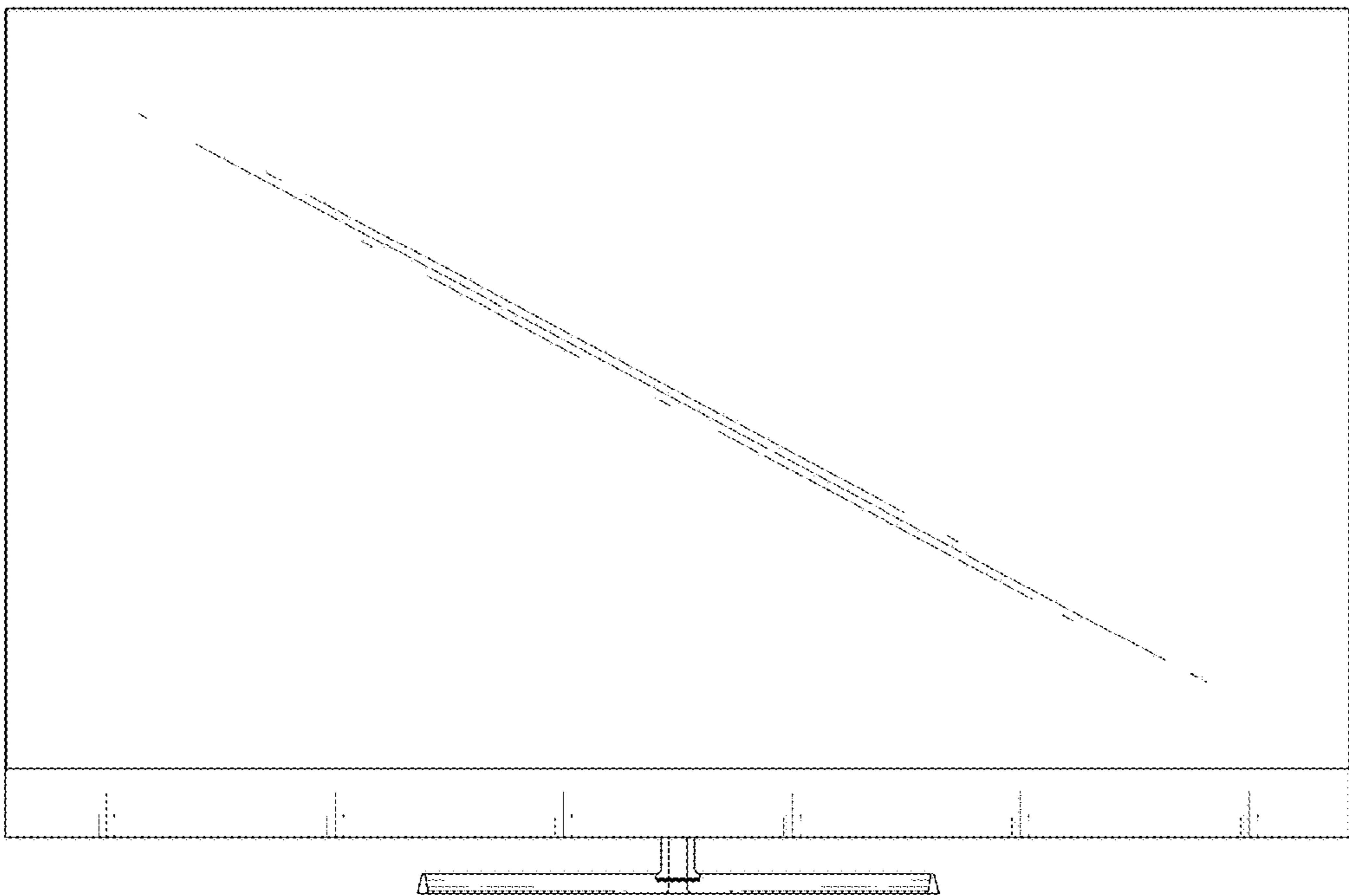
**1 Claim, 7 Drawing Sheets**



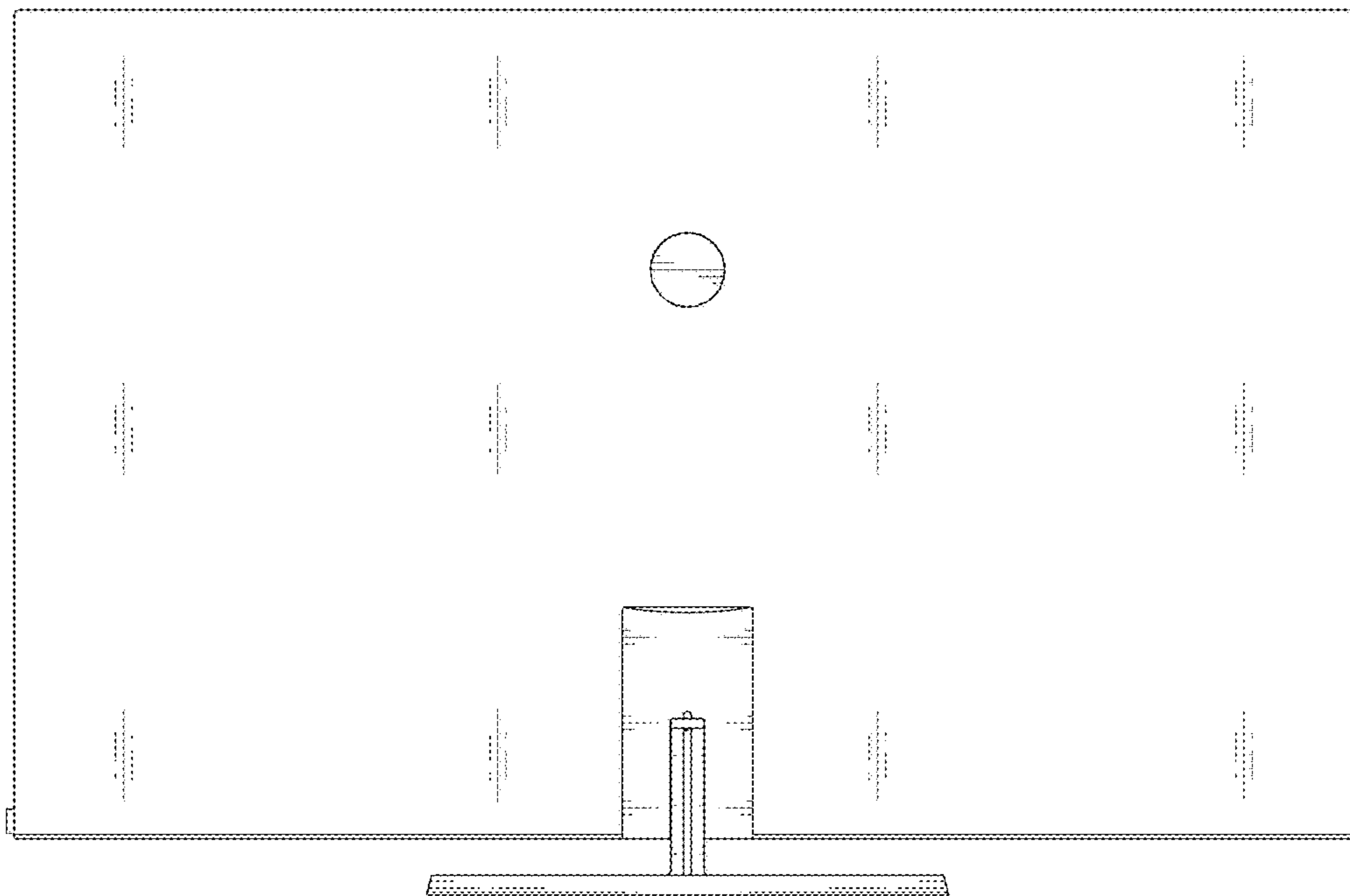
1.1



1.2

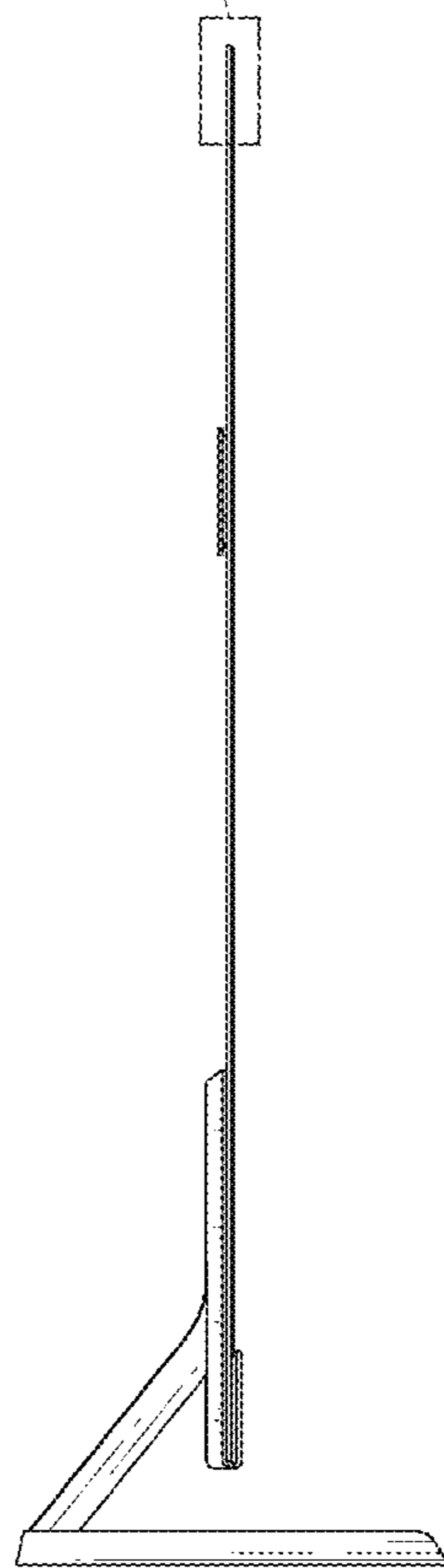


1.3

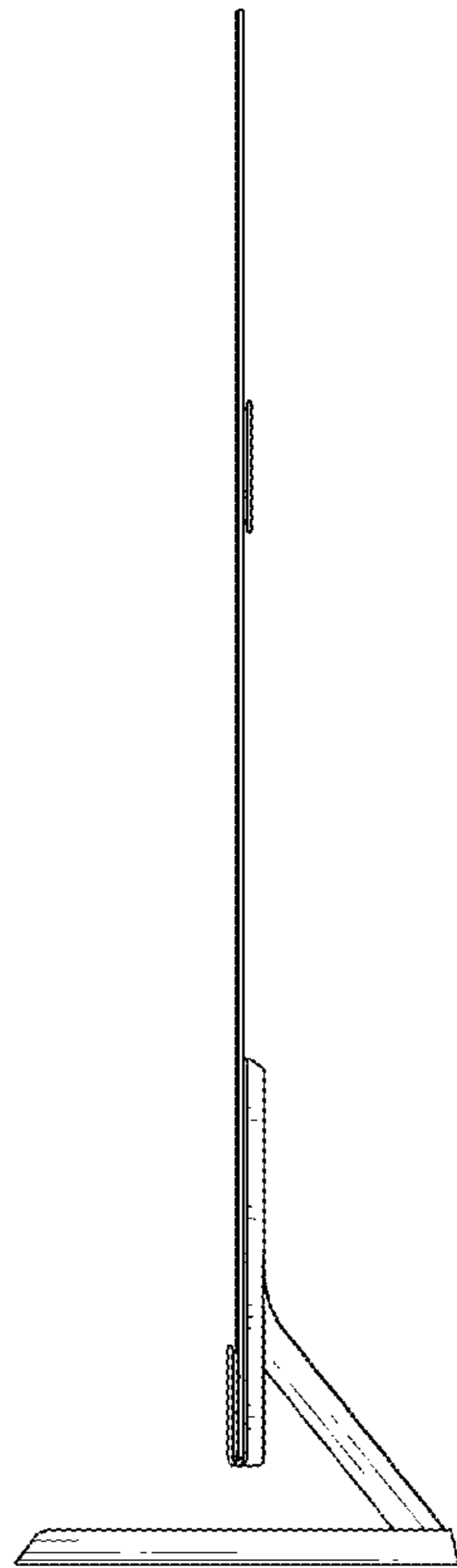


1.4

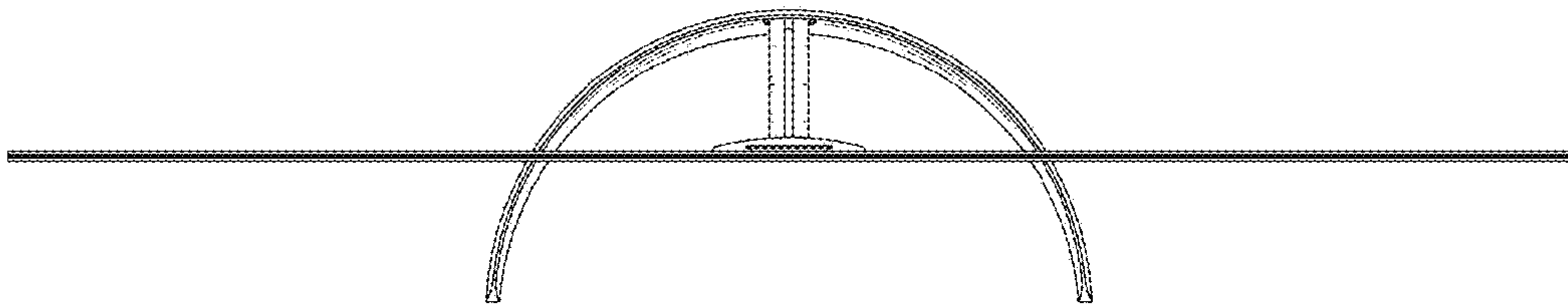
see 1.8



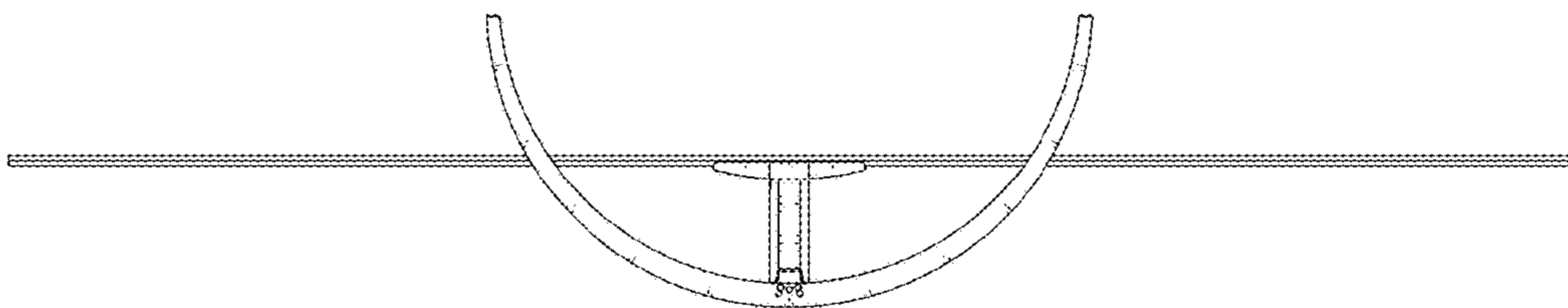
1.5



1.6



1.7



1.8

