



US00D817289S

(12) **United States Design Patent** (10) **Patent No.:** **US D817,289 S**
Won et al. (45) **Date of Patent:** **** May 8, 2018**

(54) **TV RECEIVER**

G02B 6/0068; H05K 5/02; H05K 5/0004;
H05K 5/0017; H05K 5/0217

(71) Applicant: **LG ELECTRONICS INC.**, Seoul (KR)

See application file for complete search history.

(72) Inventors: **Hyojin Won**, Seoul (KR); **Taeho Kim**, Seoul (KR); **Yongho Lee**, Seoul (KR)

(56) **References Cited**

(73) Assignee: **LG Electronics Inc.**, Seoul (KR)

U.S. PATENT DOCUMENTS

(**) Term: **15 Years**

D703,168 S *	4/2014	Won	D14/126
D727,899 S *	4/2015	Lee	D14/374
D731,994 S *	6/2015	Won	D14/126
D744,444 S *	12/2015	Kim	D14/126
D751,048 S *	3/2016	Yoon	D14/126
D787,462 S *	5/2017	Shiono	D14/126
D796,464 S *	9/2017	Kim	D14/126

(21) Appl. No.: **35/501,790**

* cited by examiner

(22) Filed: **Apr. 26, 2016**

(80) **Hague Agreement Data**

Primary Examiner — Keli L Hill

Int. Filing Date: **Apr. 26, 2016**

(74) *Attorney, Agent, or Firm* — Birch, Stewart, Kolasch & Birch, LLP

Int. Reg. No.: **DM/091349**

Int. Reg. Date: **Apr. 26, 2016**

Int. Reg. Pub. Date: **Oct. 28, 2016**

(30) **Foreign Application Priority Data**

Nov. 2, 2015 (KR) 30-2015-0055119

(51) **LOC (11) Cl.** **14-03**

(52) **U.S. Cl.**
USPC **D14/126**

(58) **Field of Classification Search**
USPC D14/125, 126, 128, 133, 239, 336, 371,
D14/374-377, 448, 450; D20/10, 19, 39;
D21/329, 515; 312/7.2; 348/180, 184,
348/325, 739, 836, 838; 248/465,
248/917-924; 345/87, 104, 133, 156,
345/168, 173

CPC G06F 1/1601; G06F 1/1643; H04N 5/64;
H04N 5/66; H04N 5/655; H04N 7/00;
H04N 9/3141; H04N 13/0459; H04N
17/04; H04N 17/004; H04N 21/43637;

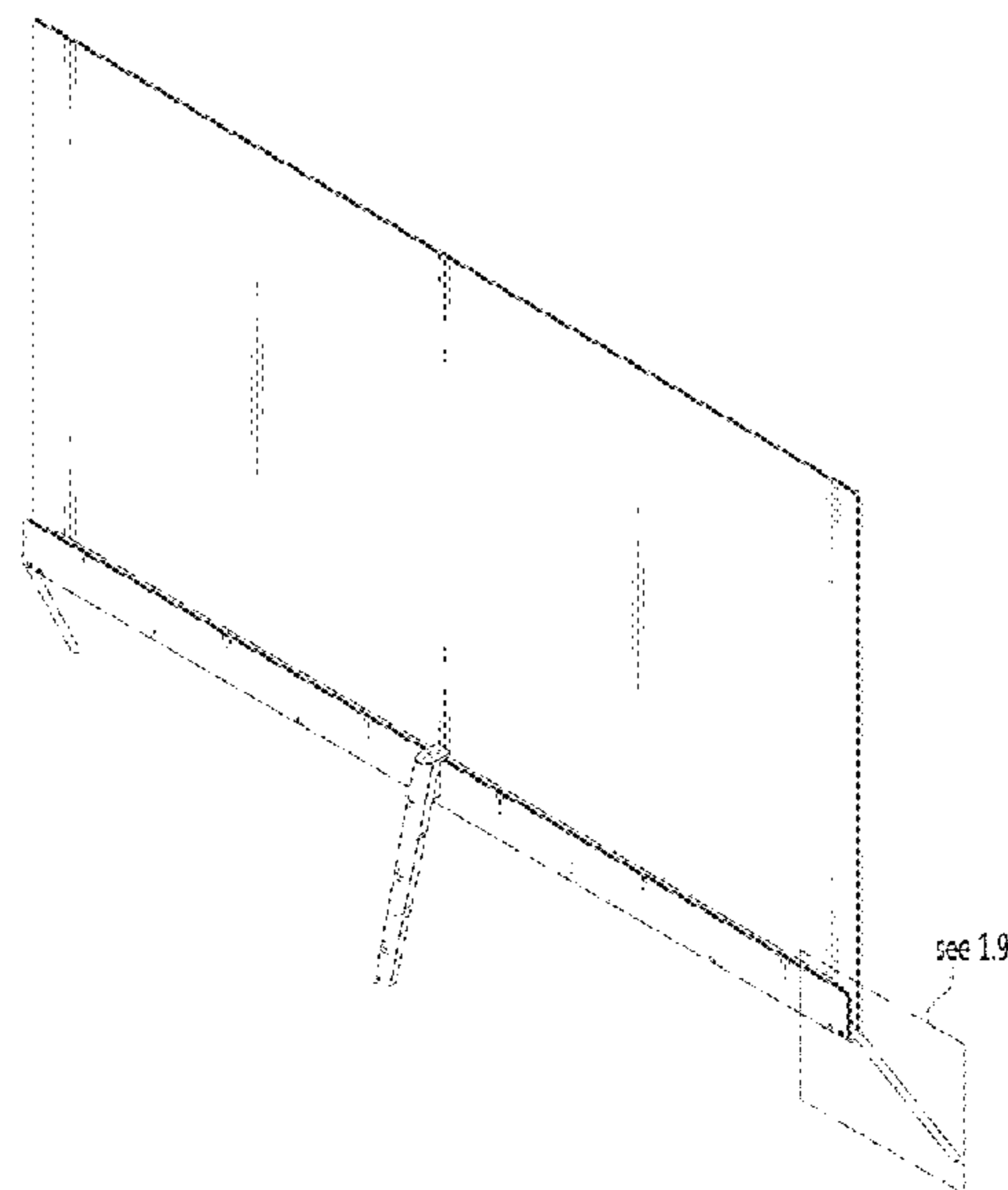
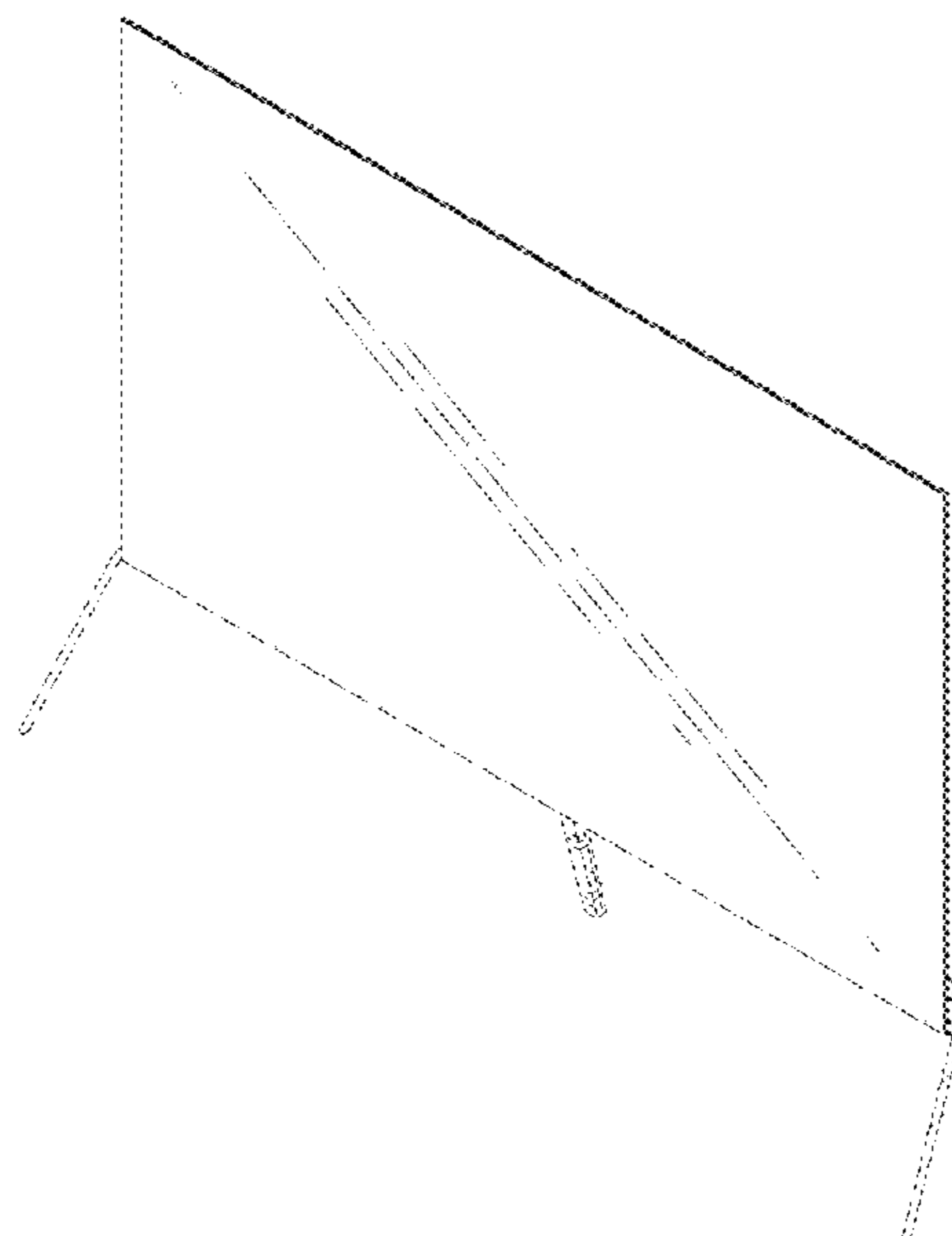
(57) **CLAIM**

The ornamental design for a TV receiver, as shown and described.

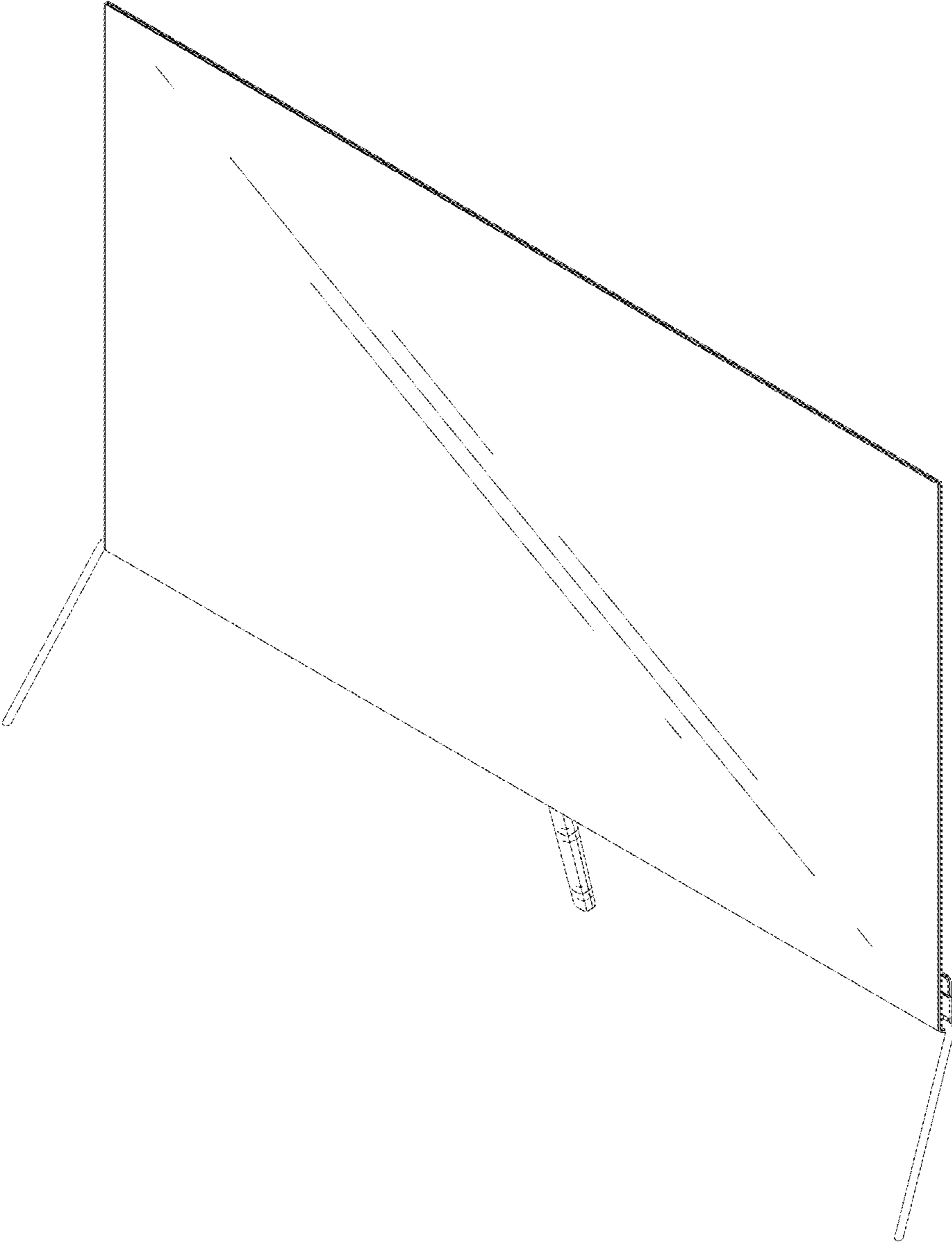
DESCRIPTION

1. TV receiver
1.1 : Perspective
1.2 : Rear perspective view
1.3 : Front
1.4 : Back
1.5 : Left
1.6 : Right
1.7 : Top
1.8 : Bottom
1.9 : Enlarged view of a portion of figure 1.2
The dash-dot broken lines of figures 1.2 and 1.9 are included to show partially enlarged views only and form no part of the claimed design.

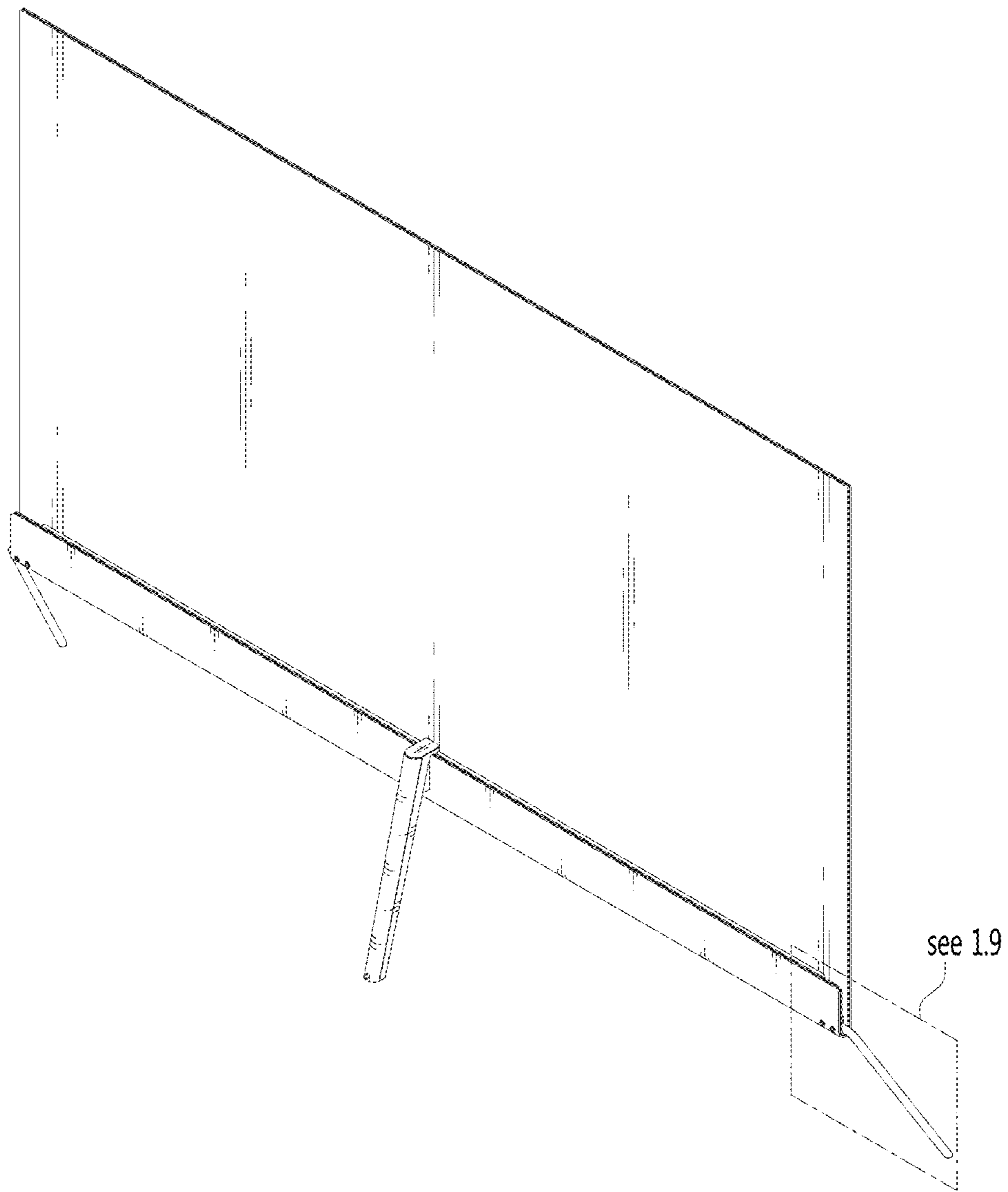
1 Claim, 8 Drawing Sheets



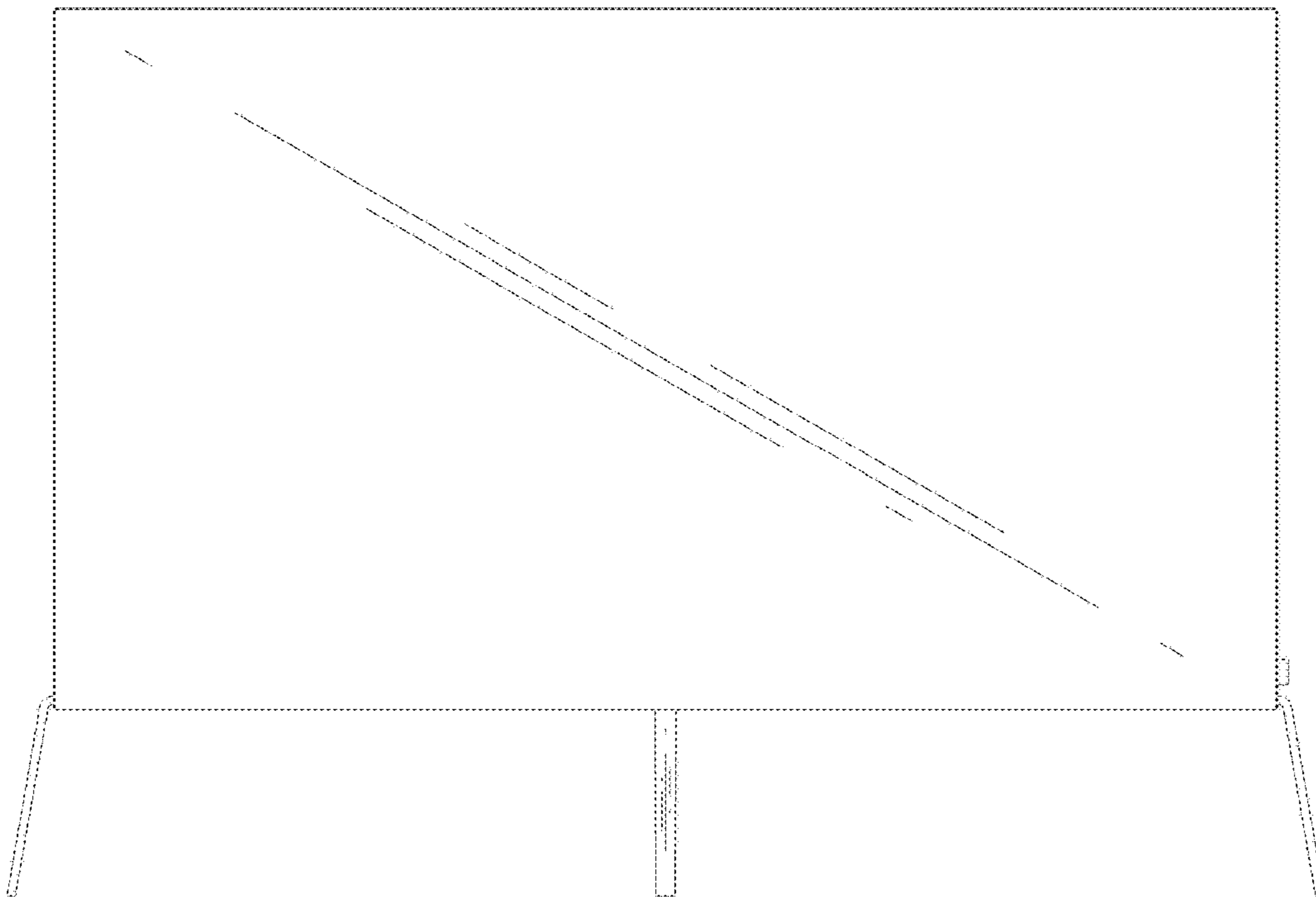
1.1



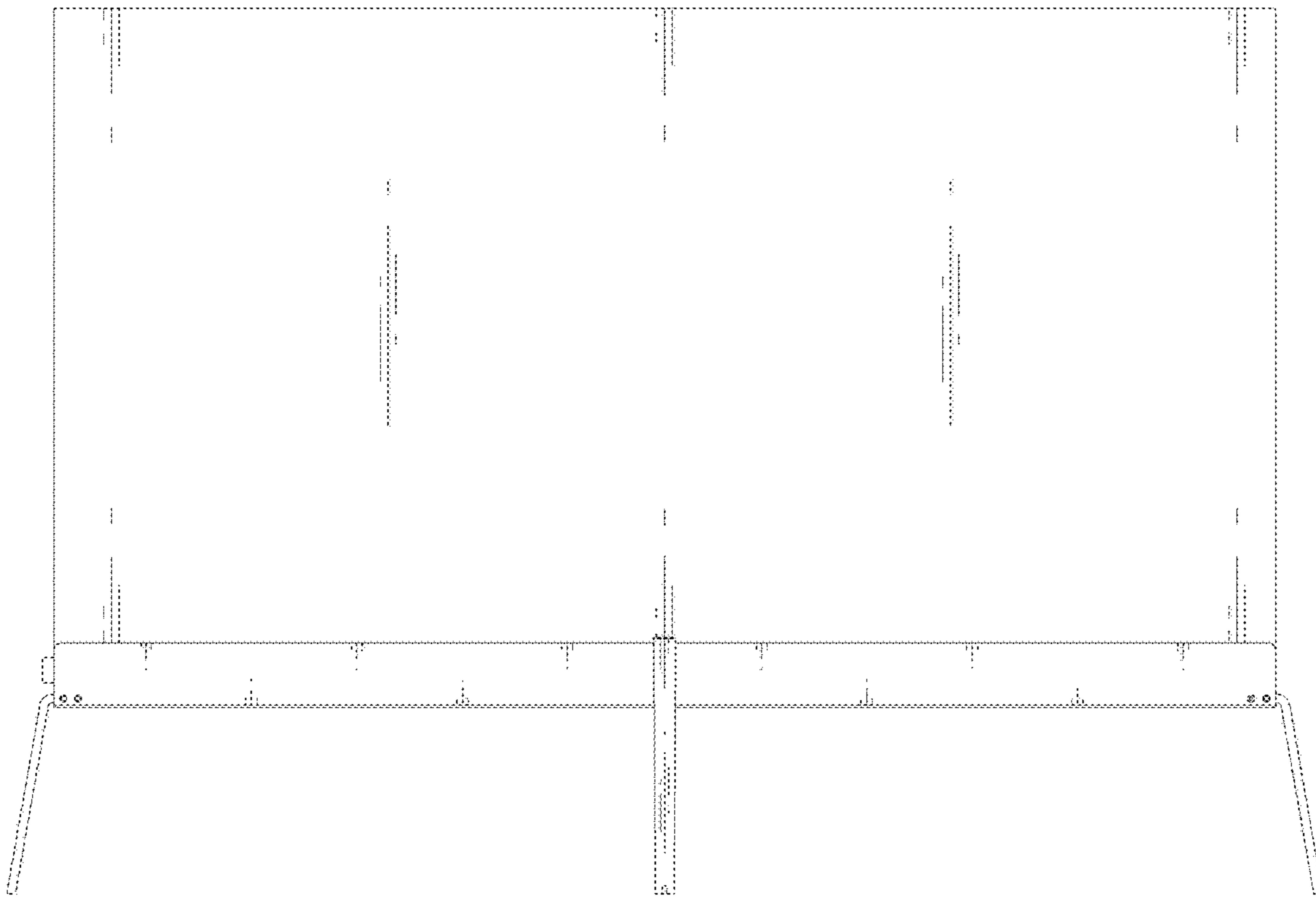
1.2



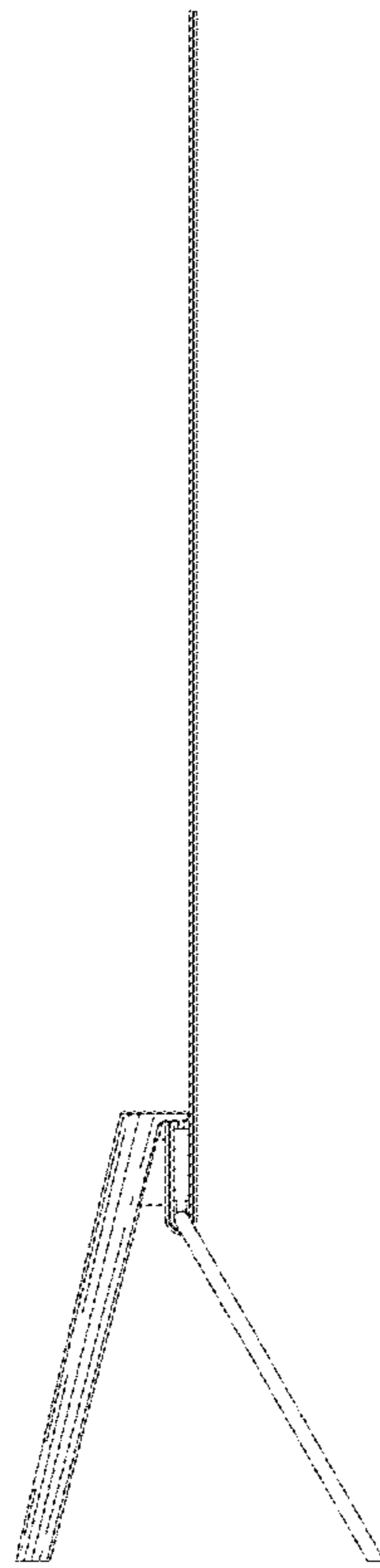
1.3



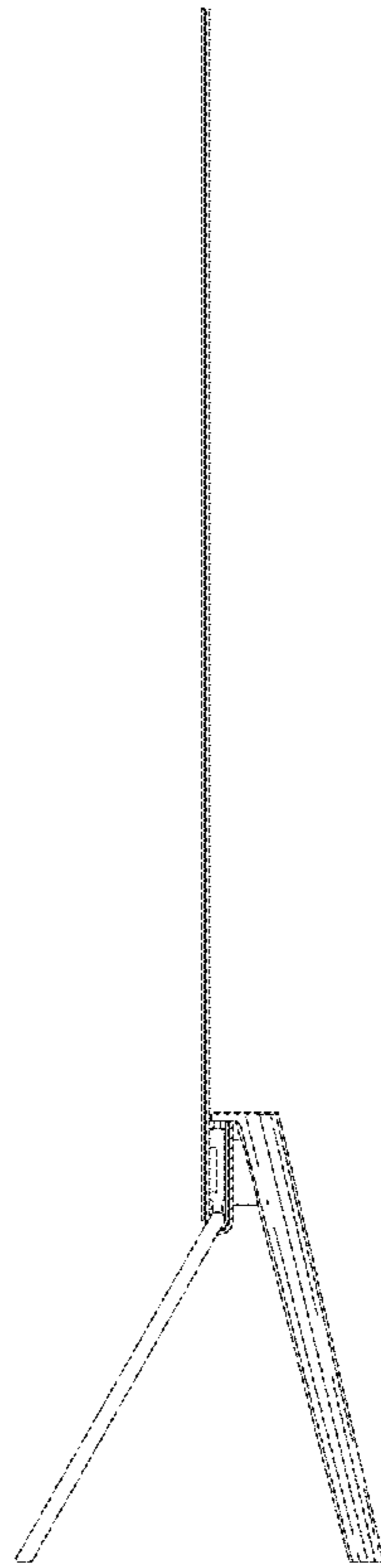
1.4



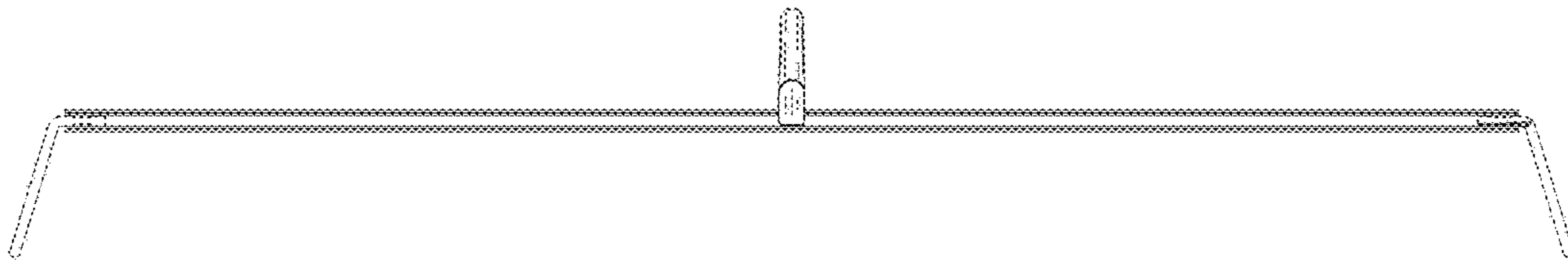
1.5



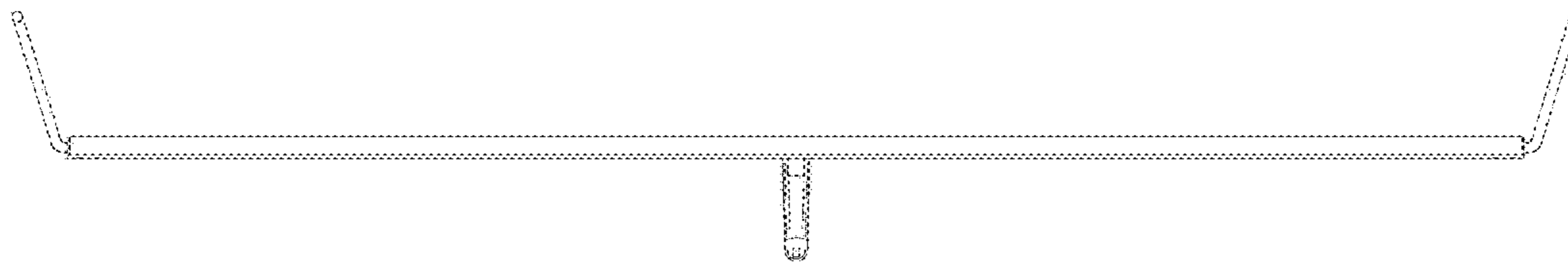
1.6



1.7



1.8



1.9

